

FISHER[®]

MANUFACTURING COMPANY
Commercial Faucets Since 1936

CATALOG NO. 25



SCAN TO SIGN UP
FOR UPDATES



WWW.FISHERFAUCETS.COM | 800-421-6162

TABLE OF CONTENTS

FAMILY	CONTENT	PAGE	FAMILY	CONTENT	PAGE	
½" Kitchen Faucets - Brass	½" Sink Faucets - Brass	1-3	½" Pre-rinse Units -Stainless Steel	Pre-rinse Accessories - Brass	7	
	½" Bar & Hand Sink & Lavatory Faucets - Brass	4-5		½" Pre-rinse Units -Stainless Steel	1-3	
	½" Pot Filler Faucets- Brass	6		½" Pre-rinse Control Valve -Stainless Steel	4-5	
	Service Sink Faucets - Brass	6-7		Pre-rinse Sub Accessories -Stainless Steel	6	
	½" Control Valves - Brass	8-9		Pre-rinse Accessories -Stainless Steel	7	
	½" Faucet Components & Accessories - Brass	10-11		Scrap & Fittings - Brass	Dish Machine & Scrap Fittings - Brass	1-2
	Wallmount vs Backsplash	12			½" Pot Filler Hose & Glass Filler Units - Brass	Pot Filler Hose & Glass Filler Unit - Brass
½" Kitchen Faucets - Stainless Steel	½" Sink Faucets - Stainless Steel	1-3	Reel Rinse Units	½" Hose Unit Accessories - Brass		3
	½" Bar & Hand Sink & Faucets - Stainless Steel	4-5		½" Utility & Pot Filler Control Valves - Brass	4-5	
	½" Pot Filler Faucets - Stainless Steel	6		Hose, Pot and Glass Filler Sub Assemblies - Brass	6-7	
	½" Control Valves - Stainless Steel	7-8		Reel Rinse Units	1-3	
	½" Faucet Components & Accessories - Stainless Steel	9-10		Reel Rinse Units Installation Kits	4-5	
Navigator Electronic Sensor Faucets	Sensor Faucets	1-2	Reel Rinse Mounting	6, 8-9		
Dipperwell Faucets - Brass	Dipperwell Faucet - Brass	1-2	Drinking	Drinking	1-2	
¾" Faucets - Brass	¾" Faucets - Brass	1-2		Drinking & Drain Accessories	3-4	
	¾" Control Valves - Brass	3		Glass Fillers - Brass	Glass Filler - Brass	1-2
	¾" Components & Accessories	4	Glass Fillers - Stainless Steel		Glass Filler - Stainless Steel	1-2
Foot and Knee Valves - Brass	Foot and Knee Valves - Brass	1-3		Gas Hoses	Gas Hoses	1-2
	Foot and Knee Valves Components - Brass	4	½" Control Valves - Brass		1-2	
Foot and Knee Valves - Stainless Steel	Foot and Knee Valves - Stainless Steel	1-3	½" Control Valves - Stainless Steel	3-4		
	Foot and Knee Valves Components - Stainless Steel	4	Kitchen Faucets	5-8		
½" Pre-rinse Units - Brass	½" Pre-rinse Units - Brass	1-3	½" & ¾" Kitchen Faucet Accessories	9-10		
	½" Pre-rinse Control Valves - Brass	4-5	Components	11-14		
	Pre-rinse Sub Accessories - Brass	6	Price List	1-13		

WARRANTY

LIMITED WARRANTY

READ THIS LIMITED WARRANTY BEFORE INSTALLING OR USING THIS PRODUCT. IF THESE TERMS ARE NOT ACCEPTABLE TO YOU, IMMEDIATELY RETURN THIS PRODUCT TO FISHER MANUFACTURING COMPANY OR THE DEALER WHICH YOU BOUGHT THIS ITEM(S) FROM BEFORE INSTALLING AND/OR USING THESE PRODUCTS.

Fisher Manufacturing Company makes the following limited warranties. These limited warranties extend to the original Fisher Manufacturing Company purchaser only and are not eligible to be transferred.

Fisher Manufacturing Company warrants its products and parts thereof (except as noted below) against defects in materials or workmanship for a period shown below on the chart after the date of the original purchase. During this period Fisher Manufacturing Company will replace a defective product or part without charge to you, provided that the entire product is delivered to Fisher Manufacturing Company. All transportation and insurance charges for shipping the product to and from Fisher Manufacturing Company must be provided by you. Charges for transportation and insurance may, at the option of Fisher Manufacturing Company, be refunded depending upon our investigation of the warranty claim. This warranty does not cover the external finish (except at the date of the original purchase) or labor costs not specifically authorized by Fisher Manufacturing Company.

EFFECTIVE JANUARY 1, 2021

PRODUCT DESCRIPTION	WARRANTY PERIOD
Chrome Coated Brass	4 Years
Stainless Steel	10 Years
Gas Hoses	10 Years
DrainKing Waste Valves	99 Year Warranty (Lever Handle - 1 Year)
Motion Sensor Faucets	3 Years
Hose Reels Powder Coated Steel	2 Years
Hose Reels Stainless Steel	2 Years

PURCHASERS RESPONSIBILITY

The above warranties are subject to the following conditions:

1. You must retain your original bill of sale or other proof of purchase.
2. You must notify Fisher Manufacturing Company within thirty (30) days after you discover a defective product or part.
3. These warranties are effective only if the product is purchased and operated in the U.S.A.
4. All warranty servicing of this product must be made by Fisher Manufacturing Company.
5. The warranties do not extend to any product or parts which have been subjected to misuse, neglect, accident, improper installation, improper maintenance or use in violation of the instructions furnished by us, or to units which have been altered, modified or repaired without authorization from Fisher Manufacturing Company.

STEP BY STEP PROCEDURES

To obtain warranty servicing you should:

1. Contact Fisher Manufacturing Company for warranty service within thirty (30) days after defective product or part is discovered. Fisher Manufacturing Company may be consulted regarding warranty service at the following address and phone numbers.
2. Arrange for the delivery of the product or part to Fisher Manufacturing Company. Products shipped to Fisher must be insured and properly packed, preferably in the original carton, and a letter explaining the defect. Also, a copy of the bill of sale or other proof of purchase must be enclosed. You must pay all transportation and insurance charges.

FISHER MANUFACTURING COMPANY

PO BOX 60
TULARE, CA 9327

PHONE: (800)421-6162
FAX: (800)832-8238

THESE WARRANTIES AND REMEDIES ARE IN LIEU OF ALL OTHER WARRANTIES EXPRESSED, IMPLIED, OR STATUTORY. ALL OTHER OBLIGATIONS OR LIABILITIES (INCLUDING NEGLIGENCE) OF FISHER MANUFACTURING COMPANY. ALL IMPLIED WARRANTIES OF MERCHANT ABILITY AND FITNESS FOR A PARTICULAR PURPOSE WHICH EXCEED THE OBLIGATIONS AND TIME PERIODS STATED IN THE WARRANTIES ARE HEREBY DISCLAIMED AND EXCLUDED. Some states do not allow limitations on how long an implied warranty lasts, so the above information may not apply to you. IN NO EVENT SHALL FISHER MANUFACTURING COMPANY BE LIABLE FOR CONSEQUENTIAL OR INCIDENTAL DAMAGES. Some states do not allow the exclusion or limitation of incidental or consequential damages, so the above limit on or exclusion may not apply to you.

No person, agent, distributor, dealer, service station or company is authorized to change, modify, or extend the terms of these warranties in any manner whatsoever. The time within which action must be commenced to enforce any obligation of Fisher Manufacturing Company arising under this warranty or any implied warranty, or under an statute, or law of the United States or any state thereof, is hereby limited to one year from the date of the accrual of the cause of action. This warranty gives you specific legal rights, and you may also have other rights, which may vary, from state to state.

P.O. BOX 60 – TULARE, CA 93275-0060
1900 S. "O" STREET – TULARE, CA 93274-6850
PH (800) 421-6162 FAX (800) 832-8238
customer@fisherfaucets.com | www.fisherfaucets.com

WE BELIEVE IN

Fisher is a world leader in commercial plumbing equipment, as well as an enthusiastic supporter of causes which benefit the world.



THE CULINARY INSTITUTE OF AMERICA

We've Pledged Our Support Culinary Institute of America

Fisher Manufacturing is supporting today's top culinary students and investing in the education of our country's future chefs. That's why we've partnered with the Culinary Institute of America's to provide an annual scholarship for the next five years. Fisher is very proud to provide financial support to these deserving students.



CHARITY WATER

Fisher Manufacturing Helps Fund a Life-Giving Water Project in Ethiopia

Fisher Manufacturing has partnered with Charity: Water to build a well in Ethiopia, where is estimated that some 61 million people lack access to safe water, and where many walk more than three hours to collect it. Fisher believes in bringing clean, safe drinking water to people in developing countries.



DIGDEEP

We've Pledged Our Support DIGDEEP

Fisher Manufacturing has partnered with DIGDEEP and believes in bringing clean running water to the families who need it most. DIGDEEP is a human rights nonprofit organization dedicated to ensuring that every American has clean, running water forever.



ABOUT FISHER

Since 1936, Fisher Manufacturing has been dedicated to providing its customers with the most advanced commercial plumbing systems available. For three generations the Fisher Family has adhered to a strict **dedication of consistent performance, product dependability** and **overall value**. You know that you've installed the best when you install Fisher!

Fisher hardware is manufactured with a standardization of internal mechanisms. All chrome plating is triple plated - copper, nickel, and chrome - for durability. Every fixture we make is rigorously tested in both our modern in-house testing center and in actual field situations under extreme conditions.

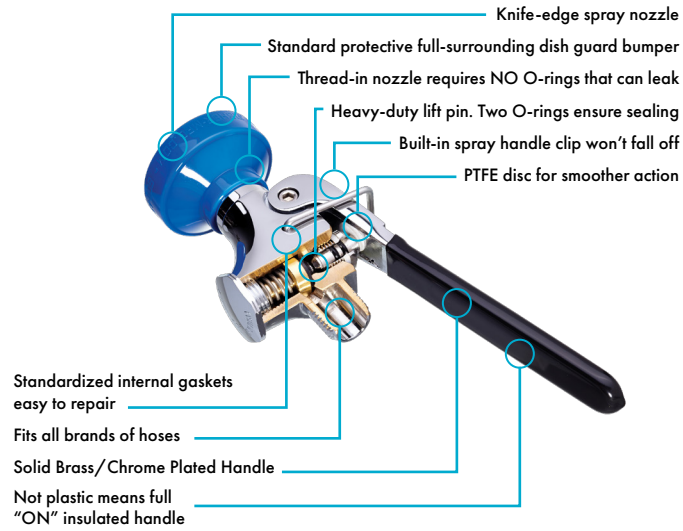
Before we make our products available, every detail is thoroughly checked and re-checked, and must pass each and every test so you get proven performance...**Guaranteed!**

We invite you to explore our company, family of brass and stainless steel products, and technical support information for a more in-depth look at why Fisher Manufacturing is the world's leader in commercial plumbing equipment and hardware specialties.



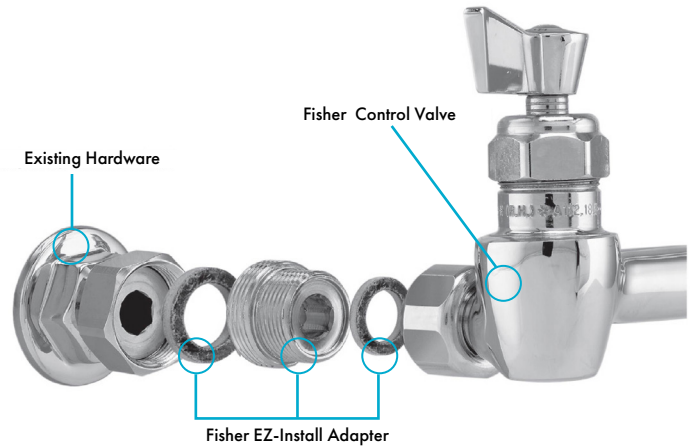
FISHER 5 SOLUTIONS

ULTRA SPRAY VALVE



Guaranteed for 1 Million Cycles

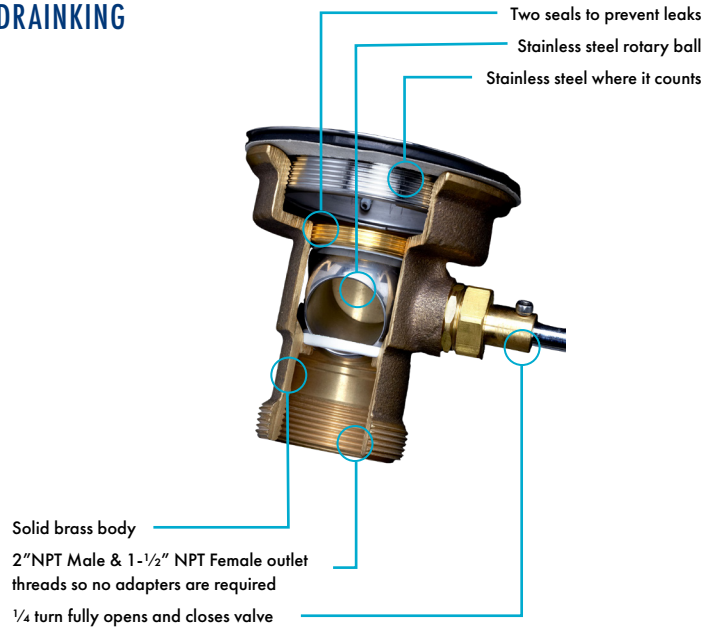
EZ INSTALL ADAPTERS



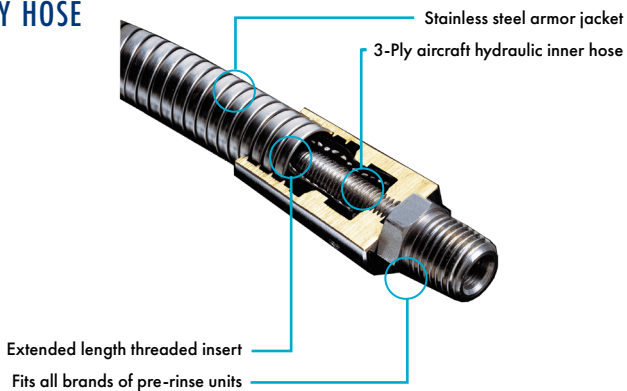
CHEM TEE



DRAINING

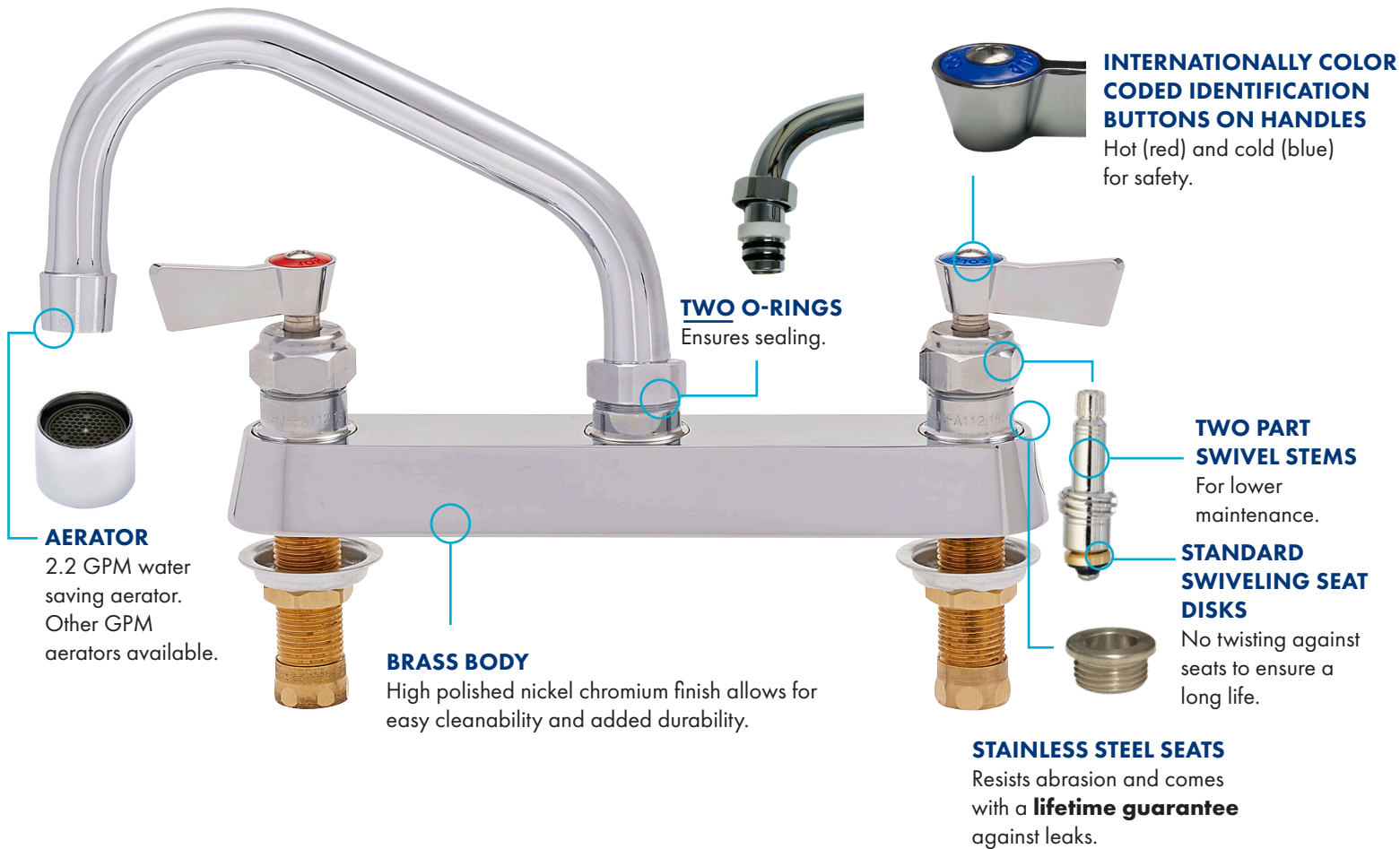


3-PLY HOSE



1/2" KITCHEN FAUCETS - BRASS

Industry leading quality, reliability, and savings in cost of ownership, have helped make Fisher faucets an industry standard. They exceed customer expectations in multiple markets from restaurants and bars, to educational, healthcare, grocery/retail, and hospitality facilities. Fisher now has a 4 year warranty on brass.



SPOUT CHOICES



Swing Spout



Gooseneck Swivel/Rigid

HANDLE TYPES



Lever

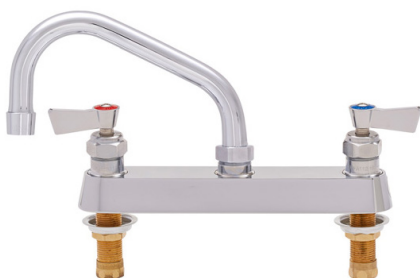


Wrist



8" BACKSPLASH SINK FAUCETS

BRASS	DESCRIPTION
13234	8" BACKSPLASH W/ 6" SWING SPOUT
13269	8" BACKSPLASH W/ 12" SWING SPOUT
64734	8" BACKSPLASH W/ 6" SWING SPOUT & EZ INSTALL ADAPTERS
64769	8" BACKSPLASH W/ 12" SWING SPOUT & EZ INSTALL ADAPTERS
ACCESSORIES	
3000-0003	07" DJ
75626	WRIST HANDLES (2 EACH)
64211	CLOSE ELBOWS (2 EACH)
64351	SUPPLY LINES 1/2" F X 1/2" M X 36" LONG 2 EACH (REQUIRES CLOSE ELBOWS)
2976	VANDAL RESISTANT KIT



8" DECK SINK FAUCETS

BRASS	DESCRIPTION
3310	8" DECK W/ 6" SWING SPOUT
3313	8" DECK W/ 12" SWING SPOUT
ACCESSORIES	
75625	SUPPLY LINES 1/2" F X 1/2" F X 36" LONG (2 EACH)
3000-0003	07" DJ
75626	WRIST HANDLES (2 EACH)
2976	VANDAL RESISTANT KIT



8" ADJ. WALL SINK FAUCETS

BRASS	DESCRIPTION
3250	8" ADJ. WALL W/ 6" SWING SPOUT
3253	8" ADJ. WALL W/ 12" SWING SPOUT
ACCESSORIES	
3000-0003	07" DJ
75626	WRIST HANDLES (2 EACH)
64238	BACKSPLASH MOUNTING CLOSE NIPPLES 1/2" (2 EACH)
64211	CLOSE ELBOWS 1/2" 2 EACH (REQUIRES BACKSPLASH MOUNTING NIPPLES)
64351	SUPPLY LINES 1/2" F X 1/2" M X 36" LONG 2 EACH (REQUIRES CLOSE ELBOWS)
2976	VANDAL RESISTANT KIT
75557	EZ INSTALL ADAPTER KIT WITH T&S, CHICAGO & KROWNE ADAPTERS KIT



DUAL DECK SINK FAUCETS

BRASS	DESCRIPTION
3110	DUAL DECK W/ 6" SWING SPOUT
3113	DUAL DECK W/ 12" SWING SPOUT
ACCESSORIES	
3000-0003	07" DJ
75626	WRIST HANDLES (2 EACH)
2976	VANDAL RESISTANT KIT



4" BACKSPLASH SINK FAUCETS

BRASS	DESCRIPTION
3610	4" BACKSPLASH W/ 6" SWING SPOUT
3613	4" BACKSPLASH W/ 12" SWING SPOUT
ACCESSORIES	
3000-0003	07" DJ
75626	WRIST HANDLES (2 EACH)
64211	CLOSE ELBOWS 1/2" (2 EACH)
64351	SUPPLY LINES 1/2F X 1/2M X 36" LONG 2 EACH (REQUIRES CLOSE ELBOWS)
2976	VANDAL RESISTANT KIT



4" DECK SINK FAUCETS

BRASS	DESCRIPTION
3510	4" DECK W/ 6" SWING SPOUT
3513	4" DECK W/ 12" SWING SPOUT
ACCESSORIES	
3000-0003	07" DJ
75626	WRIST HANDLES (2 EACH)
75625	SUPPLY LINES 1/2F X 1/2F X 36" LONG (2 EACH)
2976	VANDAL RESISTANT KIT



SINGLE WALL/BACKSPLASH SINK FAUCETS

BRASS	DESCRIPTION
3710	SINGLE WALL/BACKSPLASH W/ 6" SWING SPOUT
3713	SINGLE WALL/BACKSPLASH W/ 12" SWING SPOUT
ACCESSORIES	
3000-0003	07" DJ
3984	WRIST HANDLE
2400-2103	CLOSE ELBOW 1/2"
10006	SUPPLY LINES 1/2F X 1/2M X 36" LONG (REQUIRES CLOSE ELBOW)
2976	VANDAL RESISTANT KIT

*INCLUDES NIPPLE FOR BACKSPLASH MOUNTING



SINGLE DECK SINK FAUCETS

BRASS	DESCRIPTION
3010	SINGLE DECK W/ 6" SWING SPOUT
3013	SINGLE DECK W/ 12" SWING SPOUT
ACCESSORIES	
3000-0003	07" DJ
3984	WRIST HANDLE
10022	SUPPLY LINES 1/2F X 1/2F X 36" LONG
2976	VANDAL RESISTANT KIT



4" BACKSPLASH BAR & HAND SINK FAUCETS

BRASS	DESCRIPTION
1996	4" BACKSPLASH W/ 6" SWIVEL GOOSENECK SPOUT
3615	4" BACKSPLASH W/ 12" SWIVEL GOOSENECK SPOUT
2003	4" BACKSPLASH W/ 6" RIGID GOOSENECK SPOUT
3616	4" BACKSPLASH W/ 12" RIGID GOOSENECK SPOUT
ACCESSORIES	
75626	WRIST HANDLES (2 EACH)
74223	0.35 GPM PCA SPRAY SPOUT END
64211	CLOSE ELBOWS 1/2" (2 EACH)
64351	SUPPLY LINES 1/2" M X 1/2" X 36" LONG 2 EACH (REQUIRES CLOSE ELBOWS)
2976	VANDAL RESISTANT KIT



4" DECK BAR & HAND SINK FAUCETS

BRASS	DESCRIPTION
3525	4" DECK W/ 6" SWIVEL GOOSENECK SPOUT
3515	4" DECK W/ 12" SWIVEL GOOSENECK SPOUT
3526	4" DECK W/ 6" RIGID GOOSENECK SPOUT
3516	4" DECK W/ 12" RIGID GOOSENECK SPOUT
ACCESSORIES	
75626	WRIST HANDLES (2 EACH)
74223	0.35 GPM PCA SPRAY SPOUT END
75625	SUPPLY LINES 1/2" F X 1/2" F X 36" LONG (2 EACH)
2976	VANDAL RESISTANT KIT



4" DECK LAVATORY FAUCETS

BRASS	DESCRIPTION
1744	4" DECK W/ LAVATORY SPOUT
ACCESSORIES	
75626	WRIST HANDLES (2 EACH)
75625	SUPPLY LINES 1/2" F X 1/2" F X 36" LONG (2 EACH)
2976	VANDAL RESISTANT KIT



SINGLE DECK LAVATOR FAUCETS

BRASS	DESCRIPTION
1731	SINGLE DECK W/ LAVATORY SPOUT
ACCESSORIES	
3984	WRIST HANDLE
10022	SUPPLY LINES 1/2" F X 1/2" F X 36" LONG



DUAL DECK BAR & HAND SINK FAUCETS

BRASS	DESCRIPTION
1872	DUAL DECK W/ 6" SWIVEL GOOSENECK SPOUT
3115	DUAL DECK W/ 12" SWIVEL GOOSENECK SPOUT
3126	DUAL DECK W/ 6" RIGID GOOSENECK SPOUT
3116	DUAL DECK W/ 12" RIGID GOOSENECK SPOUT
ACCESSORIES	
75626	WRIST HANDLES (2 EACH)
74223	0.35 GPM PCA SPRAY SPOUT END
2976	VANDAL RESISTANT KIT



SINGLE DECK BAR & HAND SINK BASES

BRASS	DESCRIPTION
1856	SINGLE DECK W/ 6" SWIVEL GOOSENECK SPOUT
3015	SINGLE DECK W/ 12" SWIVEL GOOSENECK SPOUT
3026	SINGLE DECK W/ 6" RIGID GOOSENECK SPOUT
3016	SINGLE DECK W/ 12" RIGID GOOSENECK SPOUT
ACCESSORIES	
10022	SUPPLY LINES 1/2F X 1/2F X 36" LONG
74223	0.35 GPM PCA SPRAY SPOUT END
3984	WRIST HANDLE
2976	VANDAL RESISTANT KIT



BACKSPLASH BAR & HAND SINK BASES

BRASS	DESCRIPTION
2038	BACKSPLASH BASE W/ 6" SWIVEL GOOSENECK SPOUT
3915	BACKSPLASH BASE W/ 12" SWIVEL GOOSENECK SPOUT
9131	BACKSPLASH BASE W/ 6" RIGID GOOSENECK SPOUT
3916	BACKSPLASH BASE W/ 12" RIGID GOOSENECK SPOUT
ACCESSORIES	
74223	0.35 GPM PCA SPRAY SPOUT END
2400-2103	CLOSE ELBOWS 1/2"
10006	SUPPLY LINES 1/2F X 1/2M X 36" LONG (REQUIRES CLOSE ELBOW)
2976	VANDAL RESISTANT KIT

*INCLUDES NIPPLE FOR BACKSPLASH MOUNTING



DECK BASE BAR & HAND SINK BASES

BRASS	DESCRIPTION
1929	DECK BASE W/ 6" SWIVEL / GOOSENECK SPOUT
3815	DECK BASE W/ 12" SWIVEL / GOOSENECK SPOUT
1937	DECK BASE W/ 6" RIGID GOOSENECK SPOUT
3816	DECK BASE W/ 12" RIGID GOOSENECK SPOUT
ACCESSORIES	
74223	0.35 GPM PCA SPRAY SPOUT END
10022	SUPPLY LINES 1/2F X 1/2F X 36" LONG
2976	VANDAL RESISTANT KIT



CHINESE RANGE FAUCET

BRASS	DESCRIPTION
56006	CHINESE RANGE W/ 12" SWING SPOUT
ACCESSORIES	
3000-0003	07" DJ
3984	WRIST HANDLE
2400-2103	CLOSE ELBOW 1/2"
10006	SUPPLY LINES 1/2" F X 1/2" M X 36" LONG (REQUIRES CLOSE ELBOWS)
2976	VANDAL RESISTANT KIT



8" ADJ. POT FILLER FAUCETS

BRASS	DESCRIPTION
4230	8" ADJ. WALL W/ 12" POT FILLER SPOUT & 07" DJ
4231	8" ADJ. WALL W/ 12" POT FILLER SPOUT & 12" DJ
ACCESSORIES	
75626	WRIST HANDLES (2 EACH)
64238	BACKSPLASH 1/2" MOUNTING CLOSE NIPPLE (2 EACH)
64211	CLOSE ELBOWS 1/2" (REQUIRES BACKSPLASH MOUNTING NIPPLES) (2 EACH)
64351	SUPPLY LINES 1/2" F X 1/2" M X 36" LONG (REQUIRES CLOSE ELBOWS) (2 EACH)
2976	VANDAL RESISTANT KIT
75557	EZ INSTALL ADAPTER KIT WITH T&S, CHICAGO, & KROWNE ADAPTERS KIT



SINGLE WALL/BACKSPLASH POT FILLER FAUCETS

BRASS	DESCRIPTION
4730	SINGLE WALL / BACKSPLASH W/ 12" POT FILLER SPOUT & 07" DJ
4731	SINGLE WALL / BACKSPLASH W/ 12" POT FILLER SPOUT & 12" DJ
ACCESSORIES	
3984	WRIST HANDLE
2400-2103	CLOSE ELBOW 1/2"
10006	SUPPLY LINES 1/2" F X 1/2" M X 36" LONG (REQUIRES CLOSE ELBOWS)
2976	VANDAL RESISTANT KIT

*INCLUDES NIPPLE FOR BACKSPLASH MOUNTING



SINGLE WALL / BACKSPLASH SERVICE SINK FAUCETS

BRASS	DESCRIPTION
29556	SINGLE WALL / BACKSPLASH W/ 3" SERVICE SINK SPOUT
ACCESSORIES	
3984	WRIST HANDLE
2400-2103	CLOSE ELBOW
10006	SUPPLY LINES 1/2" F X 1/2" M X 36" LONG (REQUIRES CLOSE ELBOWS)
2976	VANDAL RESISTANT KIT

*INCLUDES NIPPLE FOR BACKSPLASH MOUNTING



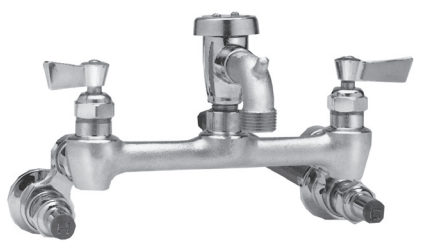
8" ADJ. WALL SERVICE SINK FAUCETS

BRASS	DESCRIPTION
2445	8" ADJ. WALL W/ 3" SERVICE SINK SPOUT
19828	8" ADJ. WALL W/ 3" SERVICE SINK SPOUT & EZ INSTALL ADAPTERS
ACCESSORIES	
75626	WRIST HANDLES (2 EACH)
64238	BACKSPASH MOUNTING CLOSE NIPPLE 1/2" (2 EACH)
64211	CLOSE ELBOWS 1/2" 2 EACH (REQUIRES BACKSPASH MOUNTING NIPPLES)
64351	SUPPLY LINES 1/2" F X 1/2" M X 36" LONG 2 EACH (REQUIRES CLOSE ELBOWS)
2976	VANDAL RESISTANT KIT



8" ADJ. WALL SERVICE SINK FAUCETS

BRASS	DESCRIPTION
19798	8" ADJ. WALL W/ 6" SERVICE SINK SPOUT
8253	8" ADJ. WALL W/ 6" SERVICE SINK SPOUT & EZ INSTALL ADAPTERS
ACCESSORIES	
75626	WRIST HANDLES (2 EACH)
64238	BACKSPASH MOUNTING CLOSE NIPPLE 1/2" (2 EACH)
64211	CLOSE ELBOWS 1/2" 2 EACH (REQUIRES BACKSPASH MOUNTING NIPPLES)
64351	SUPPLY LINES 1/2" F X 1/2" M X 36" LONG 2 EACH (REQUIRES CLOSE ELBOWS)
2976	VANDAL RESISTANT KIT



8" ADJ. WALL W/ STOPS SERVICE SINK FAUCETS

BRASS	DESCRIPTION
2453	8" ADJ. WALL W/ STOPS W/ 3" SERVICE SINK SPOUT
ACCESSORIES	
75626	WRIST HANDLES (2 EACH)
64238	BACKSPASH MOUNTING CLOSE NIPPLE 1/2" (2 EACH)
64211	CLOSE ELBOWS 1/2" 2 EACH (REQUIRES BACKSPASH MOUNTING NIPPLES)
64351	SUPPLY LINES 1/2" F X 1/2" M X 36" LONG 2 EACH (REQUIRES CLOSE ELBOWS)
2976	VANDAL RESISTANT KIT
75557	EZ INSTALL ADAPTER KIT WITH T&S, CHICAGO & KROWNE ADAPTERS



8" ADJ. WALL W/ STOPS SERVICE SINK FAUCETS

BRASS	DESCRIPTION
8261	8" ADJ. WALL W/ STOPS W/ 6" SERVICE SINK SPOUT
ACCESSORIES	
75626	WRIST HANDLES (2 EACH)
64238	BACKSPASH MOUNTING CLOSE NIPPLE 1/2" (2 EACH)
64211	CLOSE ELBOWS 1/2" 2 EACH (REQUIRES BACKSPASH MOUNTING NIPPLES)
64351	SUPPLY LINES 1/2" F X 1/2" M X 36" LONG 2 EACH (REQUIRES CLOSE ELBOWS)
2976	VANDAL RESISTANT KIT
75557	EZ INSTALL ADAPTER KIT WITH T&S, CHICAGO & KROWNE ADAPTERS



8" BACKSPLASH CONTROL VALVE

BRASS LEVER HANDLES	DESCRIPTION
13153	SWIVEL OUTLET / SWIVEL STEMS
13161	SWIVEL OUTLET / CHECK STEMS
13188	3/8" FEMALE OUTLET / SWIVEL STEMS



8" DECK CONTROL VALVE

BRASS LEVER HANDLES	DESCRIPTION
3300	SWIVEL OUTLET / SWIVEL STEMS
3300-CV	SWIVEL OUTLET / CHECK STEMS
2300	3/8" FEMALE OUTLET / SWIVEL STEMS



8" ADJ. WALL CONTROL VALVE

BRASS LEVER HANDLES	DESCRIPTION
3200	SWIVEL OUTLET / SWIVEL STEMS
3200-CV	SWIVEL OUTLET / CHECK STEMS
2200	3/8" FEMALE OUTLET / SWIVEL STEMS



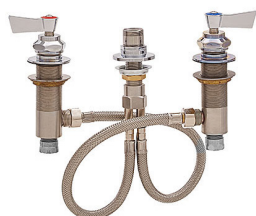
4" BACKSPLASH CONTROL VALVE

BRASS LEVER HANDLES	DESCRIPTION
3600	SWIVEL OUTLET / SWIVEL STEMS
3600-CV	SWIVEL OUTLET / CHECK STEMS
2600	3/8" FEMALE OUTLET / SWIVEL STEMS



4" DECK CONTROL VALVE

BRASS LEVER HANDLES	DESCRIPTION
3500	SWIVEL OUTLET / SWIVEL STEMS
3500-CV	SWIVEL OUTLET / CHECK STEMS
2500	3/8" FEMALE OUTLET / SWIVEL STEMS



WIDESPREAD CONTROL VALVE

BRASS LEVER HANDLES	DESCRIPTION
70173	SWIVEL OUTLET / SWIVEL STEMS
70204	3/8" FEMALE OUTLET / SWIVEL STEMS



DUAL DECK CONTROL VALVE

BRASS LEVER HANDLES	DESCRIPTION
13064	SWIVEL OUTLET / SWIVEL STEMS
13072	SWIVEL OUTLET / CHECK STEMS
10529	3/8" FEMALE OUTLET / SWIVEL STEMS



SINGLE WALL / BACKSPASH CONTROL VALVE

BRASS LEVER HANDLES	DESCRIPTION
3700	SWIVEL OUTLET / SWIVEL STEMS
2700	3/8" FEMALE OUTLET / SWIVEL STEMS

*INCLUDES NIPPLE FOR BACKSPASH MOUNTING



SINGLE DECK CONTROL VALVE

BRASS LEVER HANDLES	DESCRIPTION
12815	SWIVEL OUTLET / SWIVEL STEMS
12890	3/8" FEMALE OUTLET / SWIVEL STEMS



CHINESE RANGE CONTROL VALVE

BRASS LEVER HANDLES	DESCRIPTION
4750-0000	SWIVEL OUTLET / SWIVEL STEMS



SINGLE BACKSPASH BASE

BRASS LEVER HANDLES	DESCRIPTION
3900	SWIVEL OUTLET
3900-0002	3/8" FEMALE OUTLET



SINGLE DECK BASE

BRASS LEVER HANDLES	DESCRIPTION
3800	SWIVEL OUTLET
2903	3/8" FEMALE OUTLET



1/2" SWING SPOUTS

BRASS	DESCRIPTION
3960	6" SWING SPOUT
3961	8" SWING SPOUT
3962	10" SWING SPOUT
3963	12" SWING SPOUT
3964	14" SWING SPOUT
3967	16" SWING SPOUT

*SPOUT REQUIRE CONTROL VALVES WITH SWIVEL OUTLET AND SWIVEL STEMS

1/2" SWIVEL DOUBLE JOINT

BRASS	DESCRIPTION
3000-0003	7" SWIVEL DOUBLE JOINT
4000-0002	13" SWIVEL DOUBLE JOINT

*DJ'S REQUIRE CONTROL VALVES WITH SWIVEL OUTLETS

1/2" SWIVEL GOOSENECK SPOUTS

BRASS	DESCRIPTION
3968	6" SWIVEL GOOSENECK SPOUT
3965	12" SWIVEL GOOSENECK SPOUT

*SPOUT REQUIRE CONTROL VALVES WITH SWIVEL OUTLET AND SWIVEL STEMS

1/2" RIGID GOOSENECK SPOUTS

BRASS	DESCRIPTION
3969	6" RIGID GOOSENECK SPOUT
3966	12" RIGID GOOSENECK SPOUT

*SPOUT REQUIRE CONTROL VALVES WITH RIGID OUTLET AND SWIVEL STEMS

1/2" SWIVEL CONTROL SPOUTS

BRASS	DESCRIPTION
4000-0001	11" SWIVEL CONTROL SPOUT

*SPOUT REQUIRE CONTROL VALVES WITH SWIVEL OUTLET AND CHECK STEMS

EZ INSTALL ADAPTER KITS

BRASS	DESCRIPTION
75557	EZ INSTALL ADAPTER KIT WITH T&S, CHICAGO & KROWNE ADAPTERS KIT

1/2" SWIVEL STEM REPAIR KITS

BRASS	DESCRIPTION
3000-0000	RH SWIVEL REPAIR STEM KIT
3000-0001	LH SWIVEL REPAIR STEM KIT

1/2" CHECK STEM REPAIR KITS

BRASS	DESCRIPTION
2000-0004	RH CHECK REPAIR STEM
2000-0005	LH CHECK REPAIR STEM



WRIST HANDLES

BRASS	DESCRIPTION
3984	WRIST HANDLE
75626	WRIST HANDLE (2 EACH)

BACKSPLASH MOUNTING NIPPLES FOR WALL FAUCETS

BRASS	DESCRIPTION
64238	BACKSPLASH MOUNTING CLOSE NIPPLES 1/2" FOR WALL FAUCETS (2 EACH)

ELBOWS FOR WALL FAUCETS

BRASS	DESCRIPTION
2400-2103	CLOSE ELBOW FOR BACKSPLASH CONTROL VALVE OR WALL CONTROL VALVE WITH BACKSPLASH MOUNTING NIPPLE 1/2"
64211	CLOSE ELBOWS FOR BACKSPLASH CONTROL VALVES OR WALL CONTROL VALVES WITH BACKSPLASH MOUNTING NIPPLES 1/2" (2 EACH)

SUPPLY LINES

BRASS	DESCRIPTION
10006	SUPPLY LINE 1/2" FEMALE X 1/2" FEMALE X 36" LONG FOR DECK MOUNT CONTROL VALVES AND BASES (2 EACH)
64351	SUPPLY LINE 1/2" FEMALE X 1/2" MALE X 36" LONG FOR BACKSPLASH MOUNTED CONTROL VALVES WITH ELBOWS (2 EACH)
10022	SUPPLY LINE 1/2" FEMALE X 1/2" FEMALE X 36" LONG FOR DECK MOUNT CONTROL VALVE AND BASE
75625	SUPPLY LINE 1/2" FEMALE X 1/2" FEMALE X 36" LONG FOR DECK MOUNT CONTROL VALVES AND BASES (2 EACH)

SPOUT END ATTACHMENTS

BRASS	DESCRIPTION
74223	0.35 GPM PCA SPRAY SPOUT END
12564	2.20 GPM PERALATOR AERATOR
73450	5.00 GPM FULL FLOW PERALATOR AERATOR
75588	0.35 GPM PCA SPRAY SPOUT END FOR LAVATORY FAUCETS
75587	1.00 GPM PERALATOR AERATOR FOR LAVATORY FAUCETS

VANDAL RESISTANT KIT

BRASS	DESCRIPTION
2976	VANDAL RESISTANT KIT

KETTLE FILLER RISERS

BRASS	DESCRIPTION
72748	4" RISER
2927-4302	12" RISER
2927-4303	16" RISER
2927-4300	21" RISER

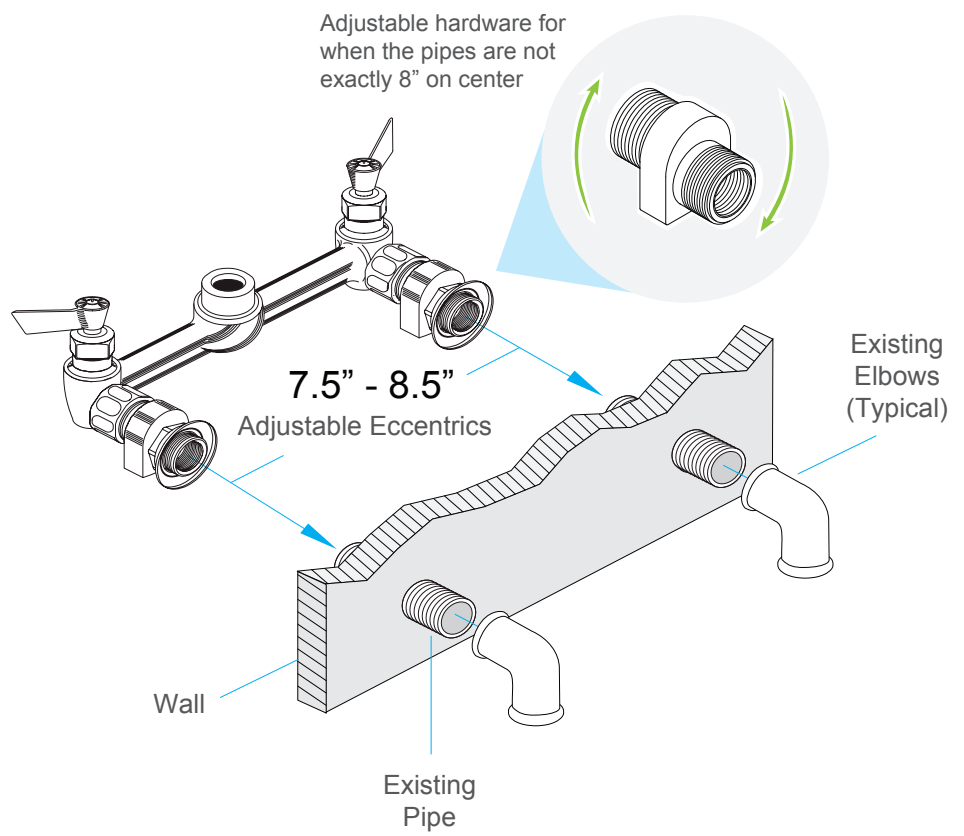
* RISERS REQUIRE SWIVEL ADAPTER & CONTROL VALVES WITH RIGID OUTLETS

KETTLE FILLER SWIVEL ADAPTER

BRASS	DESCRIPTION
4000-3300	SWIVEL ADAPTER

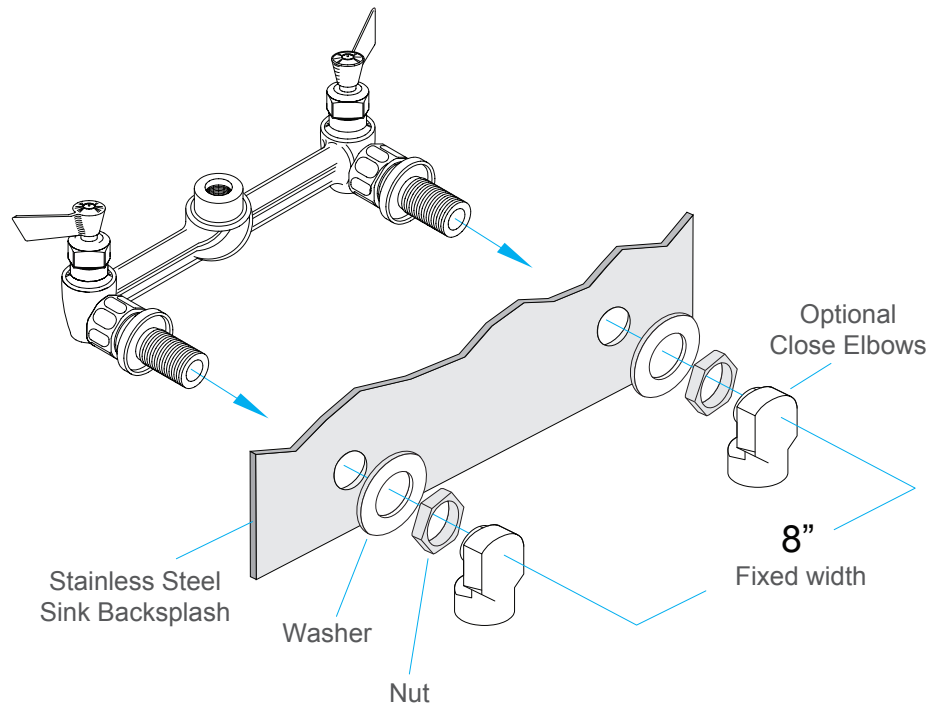
WALL MOUNT FAUCET

1/2" NPT Female inlet. Distance can be varied from 7.5" to 8.5" c/c.



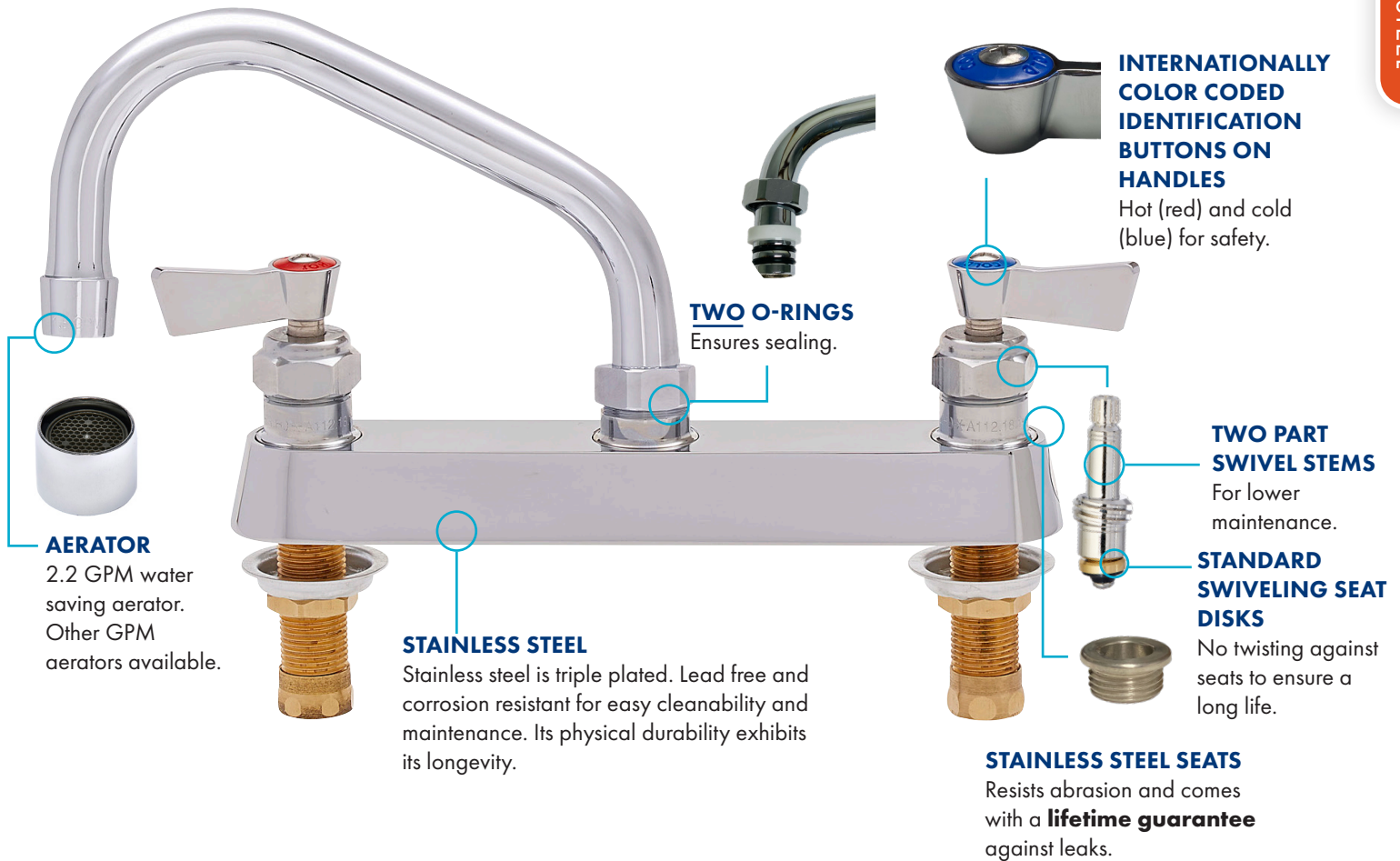
BACKSPLASH MOUNT FAUCET

1/2" NPT male inlet. Distance is fixed at 8" c/c.



1/2" KITCHEN FAUCETS - STAINLESS STEEL

Industry leading quality, reliability, and savings in cost of ownership, have helped make Fisher faucets an industry standard. They exceed customer expectations in multiple markets from restaurants and bars, to educational, healthcare, grocery/retail, and hospitality facilities. Fisher now has a 10 year warranty on stainless steel.



SPOUT CHOICES



Swing Spout



Gooseneck Swivel/Rigid

HANDLE TYPES



Lever

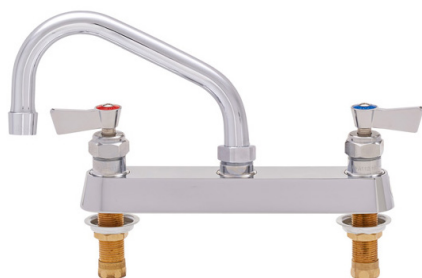


Wrist



8" BACKSPLASH SINK FAUCETS

STAINLESS	DESCRIPTION
61220	8" BACKSPLASH W/ 6" SWING SPOUT
60836	8" BACKSPLASH W/ 12" SWING SPOUT
61204	8" BACKSPLASH W/ 6" SWING SPOUT & EZ INSTALL ADAPTERS
60801	8" BACKSPLASH W/ 12" SWING SPOUT & EZ INSTALL ADAPTERS
ACCESSORIES	
54461	07" DJ
75626	WRIST HANDLES (2 EACH)
71447	CLOSE ELBOWS (2 EACH)
64351	SUPPLY LINES 1/2" F X 1/2" M X 36" LONG 2 EACH (REQUIRES CLOSE ELBOWS)
2976	VANDAL RESISTANT KIT



8" DECK SINK FAUCETS

STAINLESS	DESCRIPTION
57630	8" DECK W/ 6" SWING SPOUT
57665	8" DECK W/ 12" SWING SPOUT
ACCESSORIES	
75625	SUPPLY LINES 1/2" F X 1/2" F X 36" LONG (2 EACH)
54461	07" DJ
75626	WRIST HANDLES (2 EACH)
2976	VANDAL RESISTANT KIT



8" ADJ. WALL SINK FAUCETS

STAINLESS	DESCRIPTION
53104	8" ADJ. WALL W/ 6" SWING SPOUT
53139	8" ADJ. WALL W/ 12" SWING SPOUT
ACCESSORIES	
54461	07" DJ
75626	WRIST HANDLES (2 EACH)
71439	BACKSPLASH MOUNTING CLOSE NIPPLES 1/2" (2 EACH)
71447	CLOSE ELBOWS 1/2" 2 EACH (REQUIRES BACKSPLASH MOUNTING NIPPLES)
64351	SUPPLY LINES 1/2" F X 1/2" M X 36" LONG 2 EACH (REQUIRES CLOSE ELBOWS)
2976	VANDAL RESISTANT KIT
70653	EZ INSTALL ADAPTER KIT WITH T&S, CHICAGO & KROWNE ADAPTERS KIT



DUAL DECK SINK FAUCETS

STAINLESS	DESCRIPTION
52760	DUAL DECK W/ 6" SWING SPOUT
52795	DUAL DECK W/ 12" SWING SPOUT
ACCESSORIES	
54461	07" DJ
75626	WRIST HANDLES (2 EACH)
2976	VANDAL RESISTANT KIT



4" BACKSPLASH SINK FAUCETS

STAINLESS	DESCRIPTION
62448	4" BACKSPLASH W/ 6" SWING SPOUT
62049	4" BACKSPLASH W/ 12" SWING SPOUT
ACCESSORIES	
54461	07" DJ
75626	WRIST HANDLES (2 EACH)
71447	CLOSE ELBOWS 1/2" (2 EACH)
64351	SUPPLY LINES 1/2F X 1/2M X 36" LONG 2 EACH (REQUIRES CLOSE ELBOWS)
2976	VANDAL RESISTANT KIT



4" DECK SINK FAUCETS

STAINLESS	DESCRIPTION
53740	4" DECK W/ 6" SWING SPOUT
53775	4" DECK W/ 12" SWING SPOUT
ACCESSORIES	
54461	07" DJ
75626	WRIST HANDLES (2 EACH)
75625	SUPPLY LINES 1/2F X 1/2F X 36" LONG (2 EACH)
2976	VANDAL RESISTANT KIT



SINGLE WALL/BACKSPLASH SINK FAUCETS

STAINLESS	DESCRIPTION
67601	SINGLE WALL/BACKSPLASH W/ 6" SWING SPOUT
67644	SINGLE WALL/BACKSPLASH W/ 12" SWING SPOUT
ACCESSORIES	
54461	07" DJ
3984	WRIST HANDLE
71498	CLOSE ELBOW 1/2"
10006	SUPPLY LINES 1/2F X 1/2M X 36" LONG (REQUIRES CLOSE ELBOW)
2976	VANDAL RESISTANT KIT

*INCLUDES NIPPLE FOR BACKSPLASH MOUNTING



SINGLE DECK SINK FAUCETS

STAINLESS	DESCRIPTION
58009	SINGLE DECK W/ 6" SWING SPOUT
58033	SINGLE DECK W/ 12" SWING SPOUT
ACCESSORIES	
54461	07" DJ
3984	WRIST HANDLE
10022	SUPPLY LINES 1/2F X 1/2F X 36" LONG
2976	VANDAL RESISTANT KIT



4" BACKSPLASH BAR & HAND SINK FAUCETS

STAINLESS	DESCRIPTION
62669	4" BACKSPLASH W/ 6" SWIVEL / RIGID GOOSENECK SPOUT
62502	4" BACKSPLASH W/ 12" SWIVEL / RIGID GOOSENECK SPOUT
ACCESSORIES	
75626	WRIST HANDLES (2 EACH)
41718	0.35 GPM PCA SPRAY SPOUT END
71447	CLOSE ELBOWS 1/2" (2 EACH)
64351	SUPPLY LINES 1/2F X 1/2M X 36" LONG 2 EACH (REQUIRES CLOSE ELBOWS)
2976	VANDAL RESISTANT KIT



4" DECK BAR & HAND SINK FAUCETS

STAINLESS	DESCRIPTION
53872	4" DECK W/ 6" SWIVEL / RIGID GOOSENECK SPOUT
53880	4" DECK W/ 12" SWIVEL / RIGID GOOSENECK SPOUT
ACCESSORIES	
75626	WRIST HANDLES (2 EACH)
41718	0.35 GPM PCA SPRAY SPOUT END
75625	SUPPLY LINES 1/2F X 1/2F X 36" LONG (2 EACH)
2976	VANDAL RESISTANT KIT



DUAL DECK BAR & HAND SINK FAUCETS

STAINLESS	DESCRIPTION
52892	DUAL DECK W/ 6" SWIVEL / RIGID GOOSENECK SPOUT
52906	DUAL DECK W/ 12" SWIVEL / RIGID GOOSENECK SPOUT
ACCESSORIES	
75626	WRIST HANDLES (2 EACH)
41718	0.35 GPM PCA SPRAY SPOUT END
2976	VANDAL RESISTANT KIT



SINGLE DECK BAR & HAND SINK BASES

STAINLESS	DESCRIPTION
58130	SINGLE DECK W/ 6" SWIVEL / RIGID GOOSENECK SPOUT
58149	SINGLE DECK W/ 12" SWIVEL / RIGID GOOSENECK SPOUT
ACCESSORIES	
10022	SUPPLY LINES 1/2" F X 1/2" F X 36" LONG
41718	0.35 GPM PCA SPRAY SPOUT END
3984	WRIST HANDLE
2976	VANDAL RESISTANT KIT



BACKSPLASH BAR & HAND SINK BASES

STAINLESS	DESCRIPTION
47090	BACKSPLASH BASE W/ 6" SWIVEL / RIGID GOOSENECK SPOUT
47104	BACKSPLASH BASE W/ 12" SWIVEL / RIGID GOOSENECK SPOUT
ACCESSORIES	
41718	0.35 GPM PCA SPRAY SPOUT END
71498	CLOSE ELBOW 1/2"
10006	SUPPLY LINES 1/2" F X 1/2" M X 36" LONG (REQUIRES CLOSE ELBOW)
2976	VANDAL RESISTANT KIT

*INCLUDES NIPPLE FOR BACKSPLASH MOUNTING



DECK BASE BAR & HAND SINK BASES

STAINLESS	DESCRIPTION
45748	DECK BASE W/ 6" SWIVEL / RIGID GOOSENECK SPOUT
46094	DECK BASE W/ 12" SWIVEL / RIGID GOOSENECK SPOUT
ACCESSORIES	
41718	0.35 GPM PCA SPRAY SPOUT END
10022	SUPPLY LINES 1/2" F X 1/2" F X 36" LONG
2976	VANDAL RESISTANT KIT



8" ADJ. POT FILLER FAUCETS

STAINLESS	DESCRIPTION
54100	8" ADJ. WALL W/ 12" POT FILLER SPOUT & 07" DJ
54801	8" ADJ. WALL W/ 12" POT FILLER SPOUT & 12" DJ
ACCESSORIES	
75626	WRIST HANDLES (2 EACH)
71439	BACKSPLASH 1/2" MOUNTING CLOSE NIPPLE (2 EACH)
71447	CLOSE ELBOWS 1/2" (REQUIRES BACKSPLASH MOUNTING NIPPLES) (2 EACH)
64351	SUPPLY LINES 1/2F X 1/2M X 36" LONG (REQUIRES CLOSE ELBOWS) (2 EACH)
2976	VANDAL RESISTANT KIT
70653	EZ INSTALL ADAPTER KIT WITH T&S, CHICAGO, & KROWNE ADAPTERS KIT



SINGLE WALL/BACKSPLASH POT FILLER FAUCETS

STAINLESS	DESCRIPTION
69175	SINGLE WALL / BACKSPLASH W/ 12" POT FILLER SPOUT & 07" DJ
69183	SINGLE WALL / BACKSPLASH W/ 12" POT FILLER SPOUT & 12" DJ
ACCESSORIES	
3984	WRIST HANDLE
71498	CLOSE ELBOW 1/2"
10006	SUPPLY LINES 1/2F X 1/2M X 36" LONG (REQUIRES CLOSE ELBOWS)
2976	VANDAL RESISTANT KIT

*INCLUDES NIPPLE FOR BACKSPLASH MOUNTING



8" BACKSPLASH CONTROL VALVE

STAINLESS LEVER HANDLES	DESCRIPTION
61549	SWIVEL OUTLET / SWIVEL STEMS



8" DECK CONTROL VALVE

STAINLESS LEVER HANDLES	DESCRIPTION
67385	SWIVEL OUTLET / SWIVEL STEMS



8" ADJ. WALL CONTROL VALVE

STAINLESS LEVER HANDLES	DESCRIPTION
61565	SWIVEL OUTLET / SWIVEL STEMS
23698	SWIVEL OUTLET / CHECK STEMS



4" BACKSPLASH CONTROL VALVE

STAINLESS LEVER HANDLES	DESCRIPTION
62839	SWIVEL OUTLET / SWIVEL STEMS



4" DECK CONTROL VALVE

STAINLESS LEVER HANDLES	DESCRIPTION
67423	SWIVEL OUTLET / SWIVEL STEMS



WIDESPREAD CONTROL VALVE

STAINLESS LEVER HANDLES	DESCRIPTION
70173	SWIVEL OUTLET / SWIVEL STEMS
70204	3/8" FEMALE OUTLET / SWIVEL STEMS



DUAL DECK CONTROL VALVE

STAINLESS LEVER HANDLES	DESCRIPTION
63592	SWIVEL OUTLET / SWIVEL STEMS



SINGLE WALL / BACKSPLASH CONTROL VALVE

STAINLESS LEVER HANDLES	DESCRIPTION
70459	SWIVEL OUTLET / SWIVEL STEMS
70432	3/8" FEMALE OUTLET / SWIVEL STEMS

* INCLUDES NIPPLE FOR BACKSPALSH MOUNTING



SINGLE DECK CONTROL VALVE

STAINLESS LEVER HANDLES	DESCRIPTION
66575	SWIVEL OUTLET / SWIVEL STEMS
66591	3/8" FEMALE OUTLET / SWIVEL STEMS



SINGLE BACKSPLASH BASE

STAINLESS LEVER HANDLES	DESCRIPTION
3900	SWIVEL OUTLET



SINGLE DECK BASE

STAINLESS LEVER HANDLES	DESCRIPTION
3800	SWIVEL OUTLET
2903	3/8" FEMALE OUTLET



1/2" SWING SPOUTS

STAINLESS	DESCRIPTION
54380	6" SWING SPOUT
54399	8" SWING SPOUT
54402	10" SWING SPOUT
54410	12" SWING SPOUT
54429	14" SWING SPOUT
54445	16" SWING SPOUT

* SPOUT REQUIRE CONTROL VALVES WITH SWIVEL OUTLET AND SWIVEL STEMS



1/2" SWIVEL DOUBLE JOINT

STAINLESS	DESCRIPTION
54461	7" SWIVEL DOUBLE JOINT
55050	12" SWIVEL DOUBLE JOINT

* DJ'S REQUIRE CONTROL VALVES WITH SWIVEL OUTLETS



1/2" SWIVEL / RIGID GOOSENECK SPOUTS

STAINLESS	DESCRIPTION
54453	6" SWIVEL / RIGID GOOSENECK SPOUT
54437	12" SWIVEL / RIGID GOOSENECK SPOUT

* SPOUT REQUIRE CONTROL VALVES WITH SWIVEL OUTLET AND SWIVEL STEMS



1/2" SWIVEL CONTROL SPOUTS

STAINLESS	DESCRIPTION
55042	12" SWIVEL CONTROL SPOUT

* SPOUT REQUIRE CONTROL VALVES WITH SWIVEL OUTLET AND CHECK STEMS



EZ INSTALL ADAPTER KITS

STAINLESS	DESCRIPTION
70653	EZ INSTALL ADAPTER KIT WITH T&S, CHICAGO & KROWNE ADAPTERS KIT



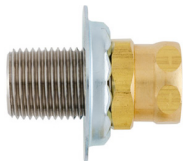
1/2" SWIVEL STEM REPAIR KITS

STAINLESS	DESCRIPTION
54518	RH SWIVEL REPAIR STEM KIT
54526	LH SWIVEL REPAIR STEM KIT



1/2" CHECK STEM REPAIR KITS

STAINLESS	DESCRIPTION
54502	RH CHECK REPAIR STEM
54510	LH CHECK REPAIR STEM



WRIST HANDLES

STAINLESS	DESCRIPTION
3984	WRIST HANDLE
75626	WRIST HANDLE (2 EACH)

BACKSPLASH MOUNTING NIPPLES FOR WALL FAUCETS

STAINLESS	DESCRIPTION
71439	BACKSPLASH MOUNTING CLOSE NIPPLES 1/2" FOR WALL FAUCETS (2 EACH)

ELBOWS FOR WALL FAUCETS

STAINLESS	DESCRIPTION
71498	CLOSE ELBOW FOR BACKSPLASH CONTROL VALVE OR WALL CONTROL VALVE WITH BACKSPLASH MOUNTING NIPPLE 1/2"
71447	CLOSE ELBOWS FOR BACKSPLASH CONTROL VALVES OR WALL CONTROL VALVES WITH BACKSPLASH MOUNTING NIPPLES 1/2" (2 EACH)

SUPPLY LINES

STAINLESS	DESCRIPTION
10006	SUPPLY LINE 1/2" FEMALE X 1/2" FEMALE X 36" LONG FOR DECK MOUNT CONTROL VALVES AND BASES (2 EACH)
64351	SUPPLY LINE 1/2" FEMALE X 1/2" MALE X 36" LONG FOR BACKSPLASH MOUNTED CONTROL VALVES WITH ELBOWS (2 EACH)
10022	SUPPLY LINE 1/2" FEMALE X 1/2" FEMALE X 36" LONG FOR DECK MOUNT CONTROL VALVE AND BASE
75625	SUPPLY LINE 1/2" FEMALE X 1/2" FEMALE X 36" LONG FOR DECK MOUNT CONTROL VALVES AND BASES (2 EACH)

SPOUT END ATTACHMENTS

STAINLESS	DESCRIPTION
41718	0.35 GPM PCA SPRAY SPOUT END
55867	2.20 GPM PERALATOR AERATOR
41726	5.00 GPM FULL FLOW PERALATOR AERATOR

VANDAL RESISTANT KIT

STAINLESS	DESCRIPTION
2976	VANDAL RESISTANT KIT

KETTLE FILLER RISERS

STAINLESS	DESCRIPTION
38334	4" RISER
38407	12" RISER
71315	16" RISER
63363	21" RISER

*RISERS REQUIRE SWIVEL ADAPTER & CONTROL VALVES WITH RIGID OUTLETS

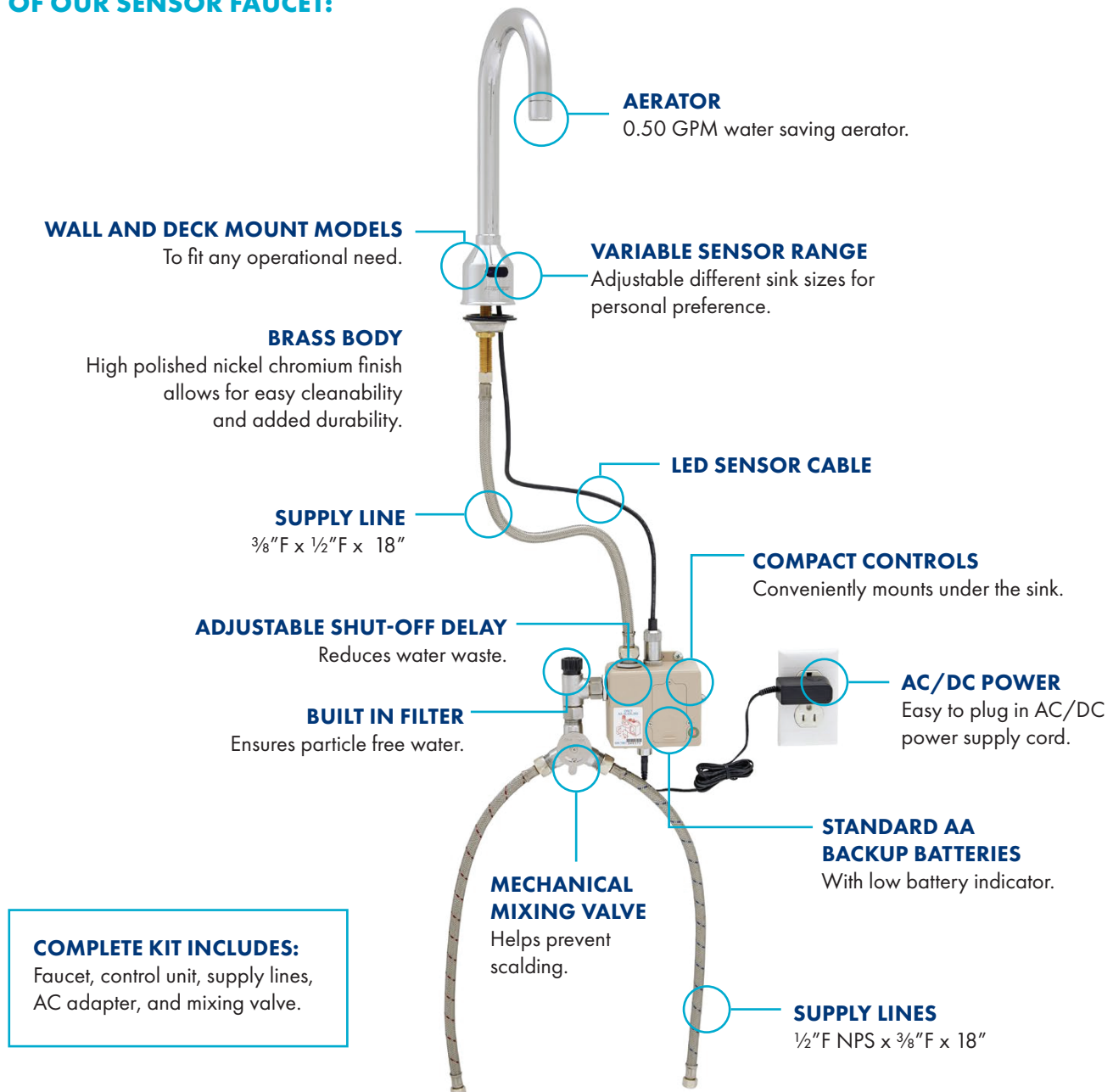
KETTLE FILLER SWIVEL ADAPTER

STAINLESS	DESCRIPTION
4000-3300	SWIVEL ADAPTER

NAVIGATOR™ ELECTRONIC SENSOR FAUCETS - BRASS

Hospitals, schools, and food service operations are always looking to conserve water, promote better health practices and cut costs when possible. Now, Fisher offers an innovative way to do it all with our Navigator™ Sensor Faucets. These innovative systems give the ability to turn on and turn off water completely hands free with sensor technology. Available in both wall mount and deck mount setups our Navigator™ Sensor Faucets bring convenience, efficiency and reliability to your operation. Fisher now has a 3 year warranty on Sensor Faucets.

CHECK OUT THE FEATURES OF OUR SENSOR FAUCET:





SINGLE BACKSPLASH SENSOR FAUCETS

MODEL	DESCRIPTION
73750	SINGLE BACKSPLASH W/ ELBOWS & 12" RIGID GOOSENECK SPOUT 0.50 GPM



SINGLE DECK SENSOR FAUCETS

MODEL	DESCRIPTION
73751	SINGLE DECK W/ 12" RIGID GOOSENECK SPOUT 0.50 GPM

DIPPERWELL FAUCET - BRASS

Fisher's dipperwell faucet is the perfect solution for keeping ice cream scoops clean and ready to use at your restaurant, concession stand, or ice cream shop. One of the key features of the dipperwell faucet is that it keeps ice cream scoops and paddles sanitized with a continuously running fresh stream of water through the dipperwell sink to aid in the prevention of potential flavor transfers or cross contamination between uses. Fisher now has a 4 year warranty on brass.

CHECK OUT THESE DIPPERWELL FAUCET FEATURES:





DIPPERWELL FAUCET

BRASS	DESCRIPTION
3041	DIPPERWELL FAUCET W/ SINK & TAILPIECE
3042	DIPPERWELL FAUCET ONLY



DIPPERWEL STEM REPAIR KIT

BRASS	DESCRIPTION
3042-0000	DIPPERWEL STEM REPAIR KIT

3/4" FAUCETS - BRASS

Fisher has designed a line of 3/4" Pot Sink Faucets to save time on filling large pot sinks. Fisher's 3/4" Faucets are totally dedicated to providing large volumes of water in a short period of time. They're ideal for filling big vessels quickly by going from zero to 100 gallons of water in 180 seconds! Also, Fisher brass products now come with a 4 year warranty.

STANDARD SWIVELING SEAT DISKS

Pivot on the stems so that there's no twisting against the seats to allow for longer seat washer life.

TWO O-RINGS

Ensures a proper seal.

1" DIAMETER SPOUT WITHOUT AERATOR

Ensures full flow.

STAINLESS STEEL SEAT

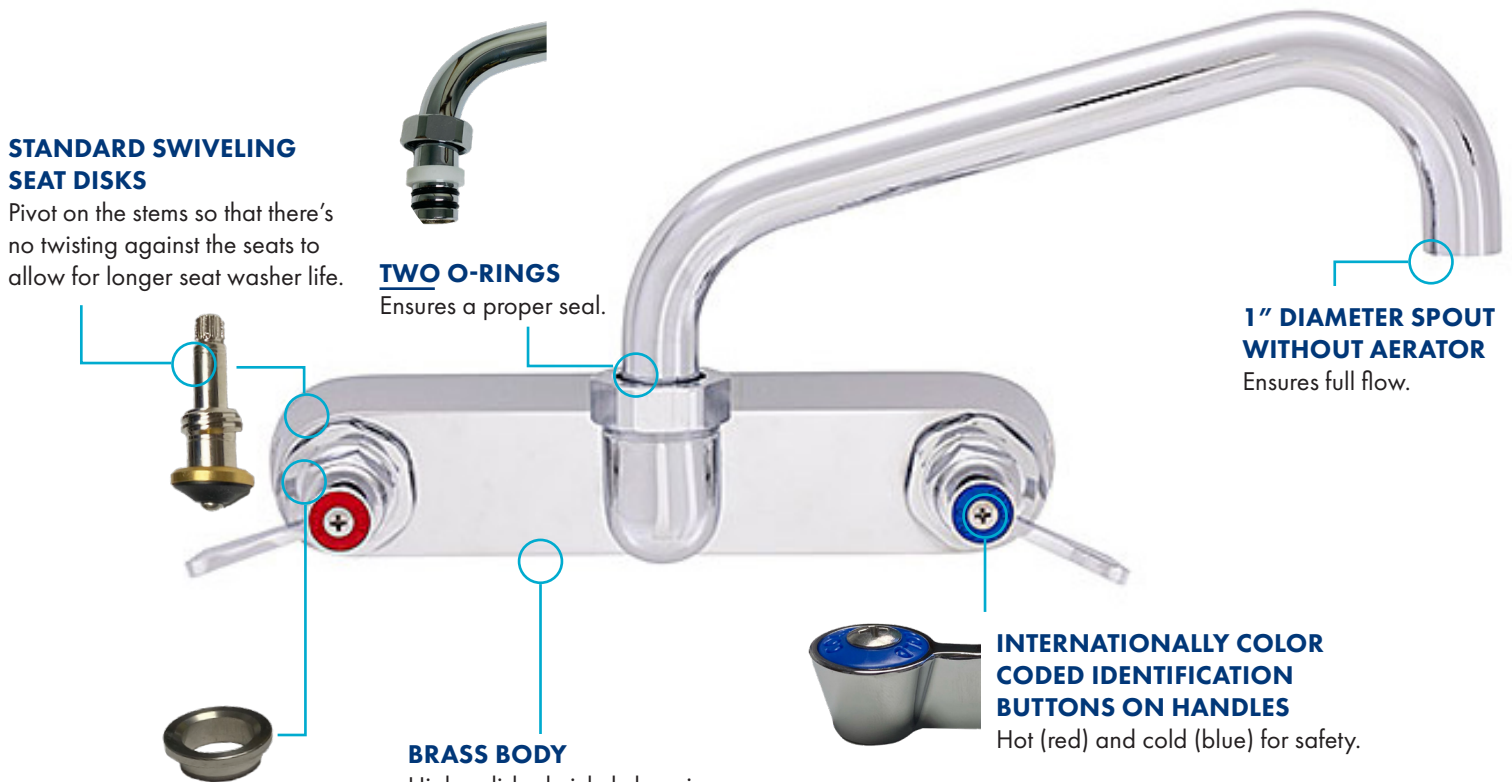
Resists abrasion and comes with a **lifetime guarantee** against leaks.

BRASS BODY

High polished nickel chromium finish allows for easy cleanability and added durability.

INTERNATIONALLY COLOR CODED IDENTIFICATION BUTTONS ON HANDLES

Hot (red) and cold (blue) for safety.





3/4" 8" BACKSPLASH SINK FAUCETS

BRASS	DESCRIPTION
5412	8" BACKSPLASH W/10" SWING SPOUT AND ELBOWS
5414	8"BACKSPLASH W/14" SWING SPOUT AND ELBOWS



3/4" 8" ADJ WALLMOUNT SINK FAUCET

BRASS	DESCRIPTION
5212	8" ADJ WALLMOUNT W/10" SWING SPOUT
5214	8" ADJ WALLMOUNT W/14" SWING SPOUT



3/4" 8" DECK MOUNT SINK FAUCET

BRASS	DESCRIPTION
5312	8" DECK MOUNT W/ 10" SWING SPOUT
5314	8" DECK MOUNT W/10" SWING SPOUT



3/4" SINGLE WALL SINK FAUCET

BRASS	DESCRIPTION
5712	SINGLE WALL W/ 10" SWING SPOUT
5714	SINGLE WALL W/10" SWING SPOUT



3/4" SINGLE DECK MOUNT SINK FAUCET

BRASS	DESCRIPTION
5012	SINGLE DECK MOUNT W/10" SWING SPOUT
5014	SINGLE DECK MOUNT W/14" SWING SPOUT



3/4" 8" BACKSPLASH CONTROL VALVES

BRASS	DESCRIPTION
5400	SWIVEL OUTLET / SWIVEL STEMS
5400-CV	SWIVEL OUTLET / CHECK STEMS
ACCESSORIES	
75626	WRIST HANDLES (2 EACH)



3/4" 8" ADJ. WALL CONTROL VALVES

BRASS	DESCRIPTION
5200	SWIVEL OUTLET / SWIVEL STEMS
5200-CV	SWIVEL OUTLET / CHECK STEMS
ACCESSORIES	
75626	WRIST HANDLES (2 EACH)
10219	BACKSPLASH MOUNTING NIPPLE
5000-2103	CLOSE ELBOW (REQUIRES BACKSPLASH MOUNTING NIPPLES)



3/4" 8" DECK CONTROL VALVES

BRASS	DESCRIPTION
BRASS	ULTRA SPRAY VALVE PLUS 1.15 GPM KNIFE EDGE SPRAY PATTERN
5300	ULTRA SPRAY VALVE 7 PLUS .70 GPM KNIFE EDGE SPRAY PATTERN
ACCESSORIES	
75626	WRIST HANDLES (2 EACH)



3/4" SINGLE WALL / * BACKSPLASH SINK FAUCETS W/ CROSS HANDLES

BRASS	DESCRIPTION
5700	SWIVEL OUTLET / SWIVEL STEMS
ACCESSORIES	
3984	WRIST HANDLE
5000-2103	CLOSE ELBOW

*INCLUDES NIPPLE FOR BACKSPLASH MOUNTING



3/4" SINGLE DECK CONTROL VALVES

BRASS	DESCRIPTION
5000	SWIVEL OUTLET / SWIVEL STEMS
ACCESSORIES	
3984	WRIST HANDLE



3/4" SWING SPOUTS

BRASS	DESCRIPTION
5000-0001	3/4" 10" SWING SPOUT
5000-0002	3/4" 14" SWING SPOUT



3/4" DJ

BRASS	DESCRIPTION
5000-0003	3/4" 10" DJ



3/4" CONTROL SPOUT

BRASS	DESCRIPTION
5071	3/4" 10" CONTROL SPOUT



3/4" ADDON FAUCET LESS SPOUT

BRASS	DESCRIPTION
21482	3/4" ADDON FAUCET LESS SPOUT



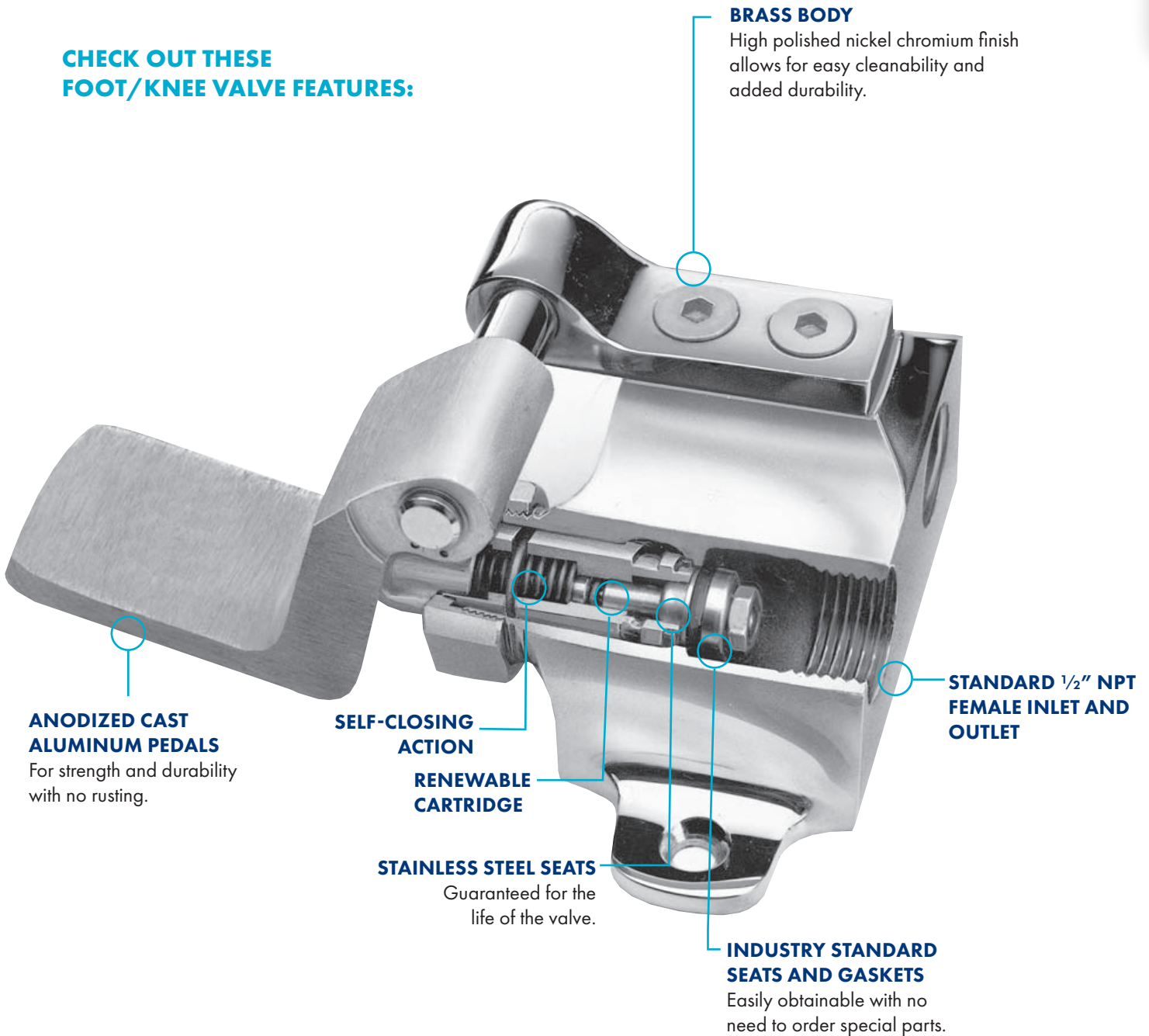
WRIST HANDLES

BRASS	DESCRIPTION
3984	WRIST HANDLES
75626	WRIST HANDLES (2 EACH)

FOOT AND KNEE VALVES - BRASS

Fisher foot/knee valves are a perfect solution for going hands free. They have self-closing, foot operated valves that eliminate the possibility of contamination from germ-laden or dirty dishes. They are easy to operate and are available in single or double valves for easy floor, wall, or knee heights installations. Ideal for restaurants, hospitals, schools, hotels, restrooms, and more. Fisher now has a 4 year warranty on brass.

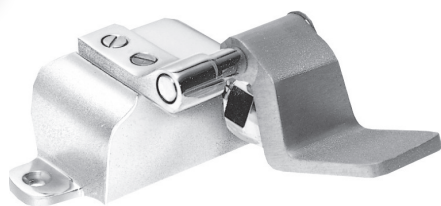
CHECK OUT THESE FOOT/KNEE VALVE FEATURES:





SINGLE PEDAL UNDER SINK MOUNT KNEE VALVE

BRASS	DESCRIPTION
3074	SINGLE PEDAL UNDER SINK MOUNT KNEE VALVE
ACCESSORIES	
2970-3	TEMPERATURE CONTROL VALVE INLETS ½M X OUTLET ½F
61336	NIPPLE ½" X ¼" X 6" CONNECT TEMPERATURE CONTROL VALVE TO FOOT VALVE



SINGLE PEDAL FLOOR MOUNT FOOT VALVE

BRASS	DESCRIPTION
3070	SINGLE PEDAL FLOOR MOUNT FOOT VALVE
ACCESSORIES	
2970-3	TEMPERATURE CONTROL VALVE INLETS ½M X OUTLET ½F
61336	NIPPLE ½" X ¼" X 6" CONNECT TEMPERATURE CONTROL VALVE TO FOOT VALVE



SINGLE PEDAL WALL MOUNT FOOT VALVE

BRASS	DESCRIPTION
3076	SINGLE PEDAL VALVE WALL MOUNT FOOT VALVE
ACCESSORIES	
2970-3	TEMPERATURE CONTROL VALVE INLETS ½M X OUTLET ½F
61336	NIPPLE ½" X ¼" X 6" CONNECT TEMPERATURE CONTROL VALVE TO FOOT VALVE



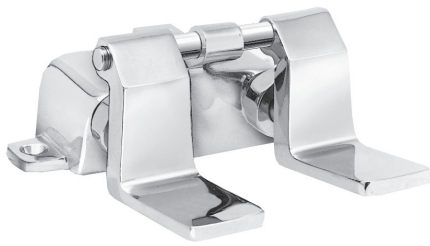
BACKSPLASH BAR & HAND SINK BASES

BRASS	DESCRIPTION
2038	BACKSPLASH BASE W/ 6" SWIVEL GOOSENECK SPOUT
3915	BACKSPLASH BASE W/ 12" SWIVEL GOOSENECK SPOUT
9131	BACKSPLASH W/6" RIGID GOOSENECK SPOUT
3916	BACKSPLASH W/12" RIGID GOOSENECK SPOUT
ACCESSORIES	
74223	0.35 GPM PCA SPRAY SPOUT END
2400-2103	CLOSE ELBOW ½"
10006	SUPPLY LINES ½"F X ½"M X 36" LONG (REQUIRES CLOSE ELBOWS)
2976	VANDAL RESISTANT KIT



DUAL PEDAL UNDER SINK MOUNT KNEE VALVE

BRASS	DESCRIPTION
3174	DUAL PEDAL UNDER SINK MOUNT KNEE VALVE



DUAL PEDAL FLOOR MOUNT FOOT VALVE

BRASS	DESCRIPTION
3170	DUAL Pedal Floor Mount Foot Valve



DUAL PEDAL WALL MOUNT FOOT VALVE

BRASS	DESCRIPTION
3176	DUAL PEDAL WALL MOUNT FOOT VALVE



DECK BAR & HAND SINK BASES

BRASS	DESCRIPTION
1929	DECK BASE W/6" SWIVEL GOOSENECK SPOUT
3815	DECK BASE W/12" SWIVE GOOSENECK SPOUT
1937	DECK BASE W/6" RIGID GOOSENECK SPOUT
3816	DECK BASE W/12" RIGID GOOSENECK SPOUT
ACCESSORIES	
74223	0.35 GPM PCA SPRAY SPOUT END
10222	SUPPLY LINE 1/8" X 1/2" X 36" LONG
2976	VANDAL RESISTANT KIT



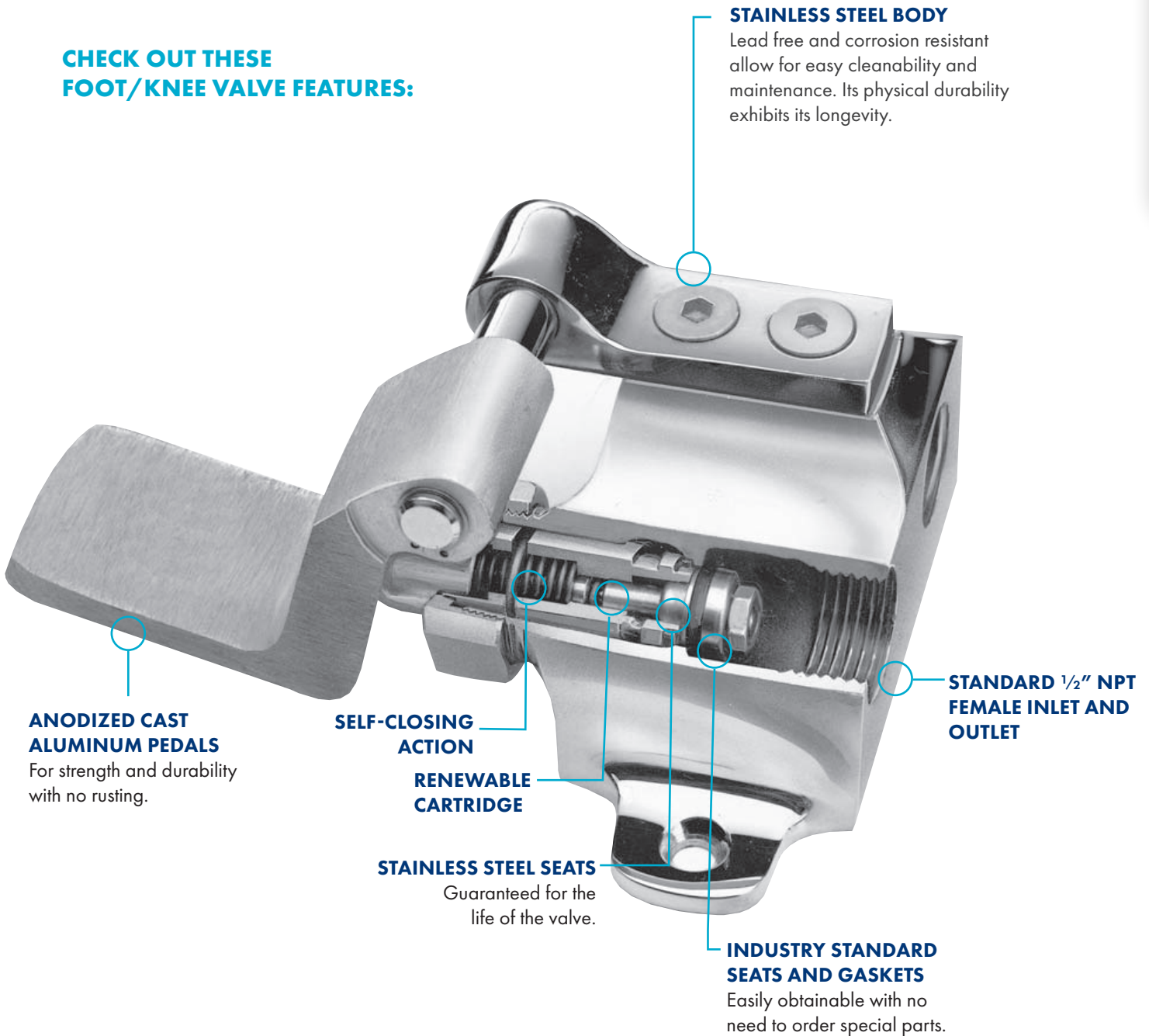
FOOT/KNEE VALVE CYLINDER

BRASS	DESCRIPTION
3070-0000	FOOT VALVE CYLINDER

FOOT AND KNEE VALVES - STAINLESS STEEL

Fisher foot/knee valves are a perfect solution for going hands free. They have self-closing, foot operated valves that eliminate the possibility of contamination from germ-laden or dirty dishes. They are easy to operate and are available in single or double valves for easy floor, wall, or knee heights installations. Ideal for restaurants, hospitals, schools, hotels, restrooms, and more. Fisher now has a 10 year warranty on stainless steel.

CHECK OUT THESE FOOT/KNEE VALVE FEATURES:





SINGLE PEDAL UNDER SINK MOUNT KNEE VALVE

STAINLESS	DESCRIPTION
48011	SINGLE PEDAL UNDER SINK MOUNT KNEE VALVE
ACCESSORIES	
61336	NIPPLE 1/2" X 1/4" X 6" CONNECT TEMPERATURE CONTROL VALVE TO FOOT VALVE



SINGLE PEDAL FLOOR MOUNT FOOT VALVE

STAINLESS	DESCRIPTION
47759	SINGLE PEDAL FLOOR MOUNT FOOT VALVE
ACCESSORIES	
61336	NIPPLE 1/2" X 1/4" X 6" CONNECT TEMPERATURE CONTROL VALVE TO FOOT VALVE



SINGLE PEDAL WALL MOUNT FOOT VALVE

STAINLESS	DESCRIPTION
48062	SINGLE PEDAL VALVE WALL MOUNT FOOT VALVE
ACCESSORIES	
61336	NIPPLE 1/2" X 1/4" X 6" CONNECT TEMPERATURE CONTROL VALVE TO FOOT VALVE



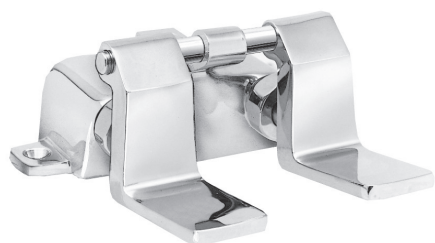
BACKSPLASH BAR & HAND SINK BASES

STAINLESS	DESCRIPTION
47090	BACKSPLASH BASE W/ 6" SWIVEL / RIGID GOOSENECK SPOUT
47104	BACKSPLASH BASE W/ 12" SWIVEL / RIGID GOOSENECK SPOUT
COMPONENTS	
41718	0.35 GPM PCA SPRAY SPOUT ENT
71498	CLOSE ELBOW 1/2"
10006	SUPPLY LINE 1/2F X 1/2M X 36" LONG (REQUIRES CLOSE ELBOW)
2976	VANDAL RESISTANT KIT



DUAL PEDAL UNDER SINK MOUNT KNEE VALVE

STAINLESS	DESCRIPTION
48054	DUAL PEDAL UNDER SINK MOUNT KNEE VALVE



DUAL PEDAL FLOOR MOUNT FOOT VALVE

STAINLESS	DESCRIPTION
47988	DUAL Pedal Floor Mount Foot Valve



DUAL PEDAL WALL MOUNT FOOT VALVE

STAINLESS	DESCRIPTION
48070	DUAL PEDAL WALL MOUNT FOOT VALVE



DECK BAR & HAND SINK BASES

STAINLESS	DESCRIPTION
45748	DECK BASE W/ 6" SWIVEL / RIGID GOOSENECK SPOUT
46094	DECK BASE W/ 12" SWIVEL / RIGID GOOSENECK SPOUT
COMPONENTS	
41718	0.35 GPM PCA SPRAY SPOUT END
10022	SUPPLY LINE 1/2" F X 1/2" F X 36" LONG (REQUIRES CLOSE ELBOW)
2976	VANDAL RESISTANT KIT



FOOT/KNEE VALVE CYLINDER

STAINLESS	DESCRIPTION
12491	FOOT VALVE CYLINDER

1/2" PRE-RINSE UNITS - BRASS

Save thousands of dollars in utility bills by equipping your commercial kitchen with one of our innovative Fisher Pre-Rinse Units. Each unit features the water saving Ultra Spray Valve Plus and new Chemical Tee. Fisher now offers a 4 year warranty on brass.

CHECK OUT THESE PRE-RINSE FEATURES:



EXTRA COIL DENSITY

Provides enhanced protection against hose and armor fatigue at critical points.

UNIVERSAL DESIGN

Fits ALL brands.

MULTI-COIL DESIGN

Enhanced at both ends.

CHEM TEE

Less obstruction - no need for a longer hose. The flush mount 3/8" NPT plug is included. The chemical port connection ensures easy installation for a reduced cost in labor.



WALL BRACKET

Secures the pre-rinse unit to the wall with 3 set screws to provide reinforcement and stability while also being adjustable.



INTERNATIONALLY COLOR CODED IDENTIFICATION BUTTONS ON HANDLES

Hot (red) and cold (blue) for safety.



3-PLY AIRCRAFT HYDRAULIC INNER HOSE

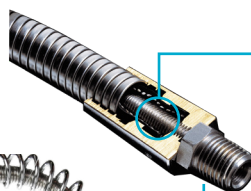
Lasts three times longer.

EXTENDED LENGTH THREADED INSERT

Securely seals the inner hose.

STAINLESS STEEL ARMOR JACKET

Relieves tension and abrasion on the inner hose to provide a longer service life.



INSULATED HANDLE

The heat resistant handle is insulated with inner tubing for added durability.



ULTRA SPRAY VALVE

STANDARD PROTECTIVE FULL-SURROUNDING DISH GUARD BUMPER

Eliminates leaking.

PTFE-DISC FOR SMOOTHER ACTION

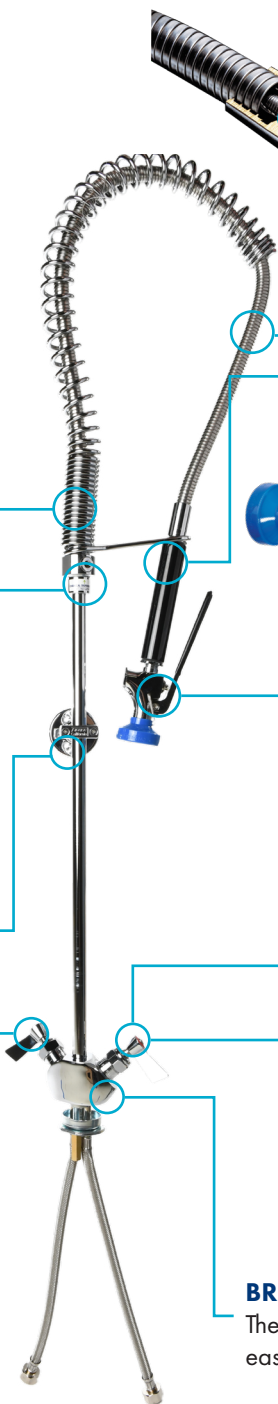
1.15 GPM Knife Edge spray nozzle

Guaranteed for 1 million cycles!

HEAVY DUTY LIFT PIN

The two o-rings ensure a proper seal.

FITS ALL BRANDS OF HOSES



TWO PART CHECK STEM

For the prevention of cross flow and lower maintenance.

STAINLESS STEEL SEATS

Resists abrasion and comes with a lifetime guarantee against leaks.

BRASS BODY

The high polished nickel chromium finish allows for easy cleanability and added durability.

SWIVEL STYLE OPTIONS



SWIVEL STYLE

The long swivel arm provides maximum reach and a superior range of motion.

PRE-RINSE CRITICAL POINTS

Overall height from base of faucet

Spring Style - 38"

Swivel Style - 38"

Mini Style - 22 3/8"

Distance from bottom of spray valve to bottom of faucet:

Spring Style - 12"

Swivel Style - 7"

Mini Style - 7 5/8"



8" BACKSPLASH SPRING STYLE PRE-RINSE

BRASS	DESCRIPTION
13390	8" BACKSPLASH SPRING STYLE PRE-RINSE & ULTRA SPRAY PLUS
64793	8" BACKSPLASH SPRING STYLE PRE-RINSE & ULTRA SPRAY PLUS WITH EZ INSTALL ADAPTERS
ACCESSORIES	
64211	CLOSE ELBOWS (2 EACH)
64351	SUPPLY LINES 1/2" F X 1/2" M X 36" LONG (2 EACH. REQUIRES CLOSE ELBOWS)
2976	VANDAL RESISTANT KIT
2949-9001	SPRAY VALVE BRUSH
2932-0002	DUAL CHECK VACUUM BREAKER 3/4"-14 FEMALE X 3/4"-14 MALE



8" BACKSPLASH SPRING STYLE PRE-RINSE W/ ADD ON FAUCET

BRASS	DESCRIPTION
34436	8" BACKSPLASH SPRING STYLE PRE-RINSE W/ ADDON FAUCET, ULTRA SPRAY VALVE PLUS & 6" SWING SPOUT
34460	8" BACKSPLASH SPRING STYLE PRE-RINSE W/ ADDON FAUCET, ULTRA SPRAY VALVE PLUS & 12" SWING SPOUT
ACCESSORIES	
64211	CLOSE ELBOWS (2 EACH)
64211	SUPPLY LINES 1/2" F X 1/2" M X 36" LONG (2 EACH. REQUIRES CLOSE ELBOWS)
2976	VANDAL RESISTANT KIT
2949-9001	SPRAY VALVE BRUSH
2932-0002	DUAL CHECK VACUUM BREAKER 3/4"-14 FEMALE X 3/4"-14 MALE



8" DECK SPRING STYLE PRE-RINSE

BRASS	DESCRIPTION
2310-WB	8" DECK SPRING STYLE PRE-RINSE & ULTRA SPRAY PLUS
ACCESSORIES	
2976	VANDAL RESISTANT KIT
2949-9001	SPRAY VALVE BRUSH
2932-0002	DUAL CHECK VACUUM BREAKER 3/4"-14 FEMALE X 3/4"-14 MALE



8" DECK SPRING STYLE PRE-RINSE W/ ADD ON FAUCET

BRASS	DESCRIPTION
34223	8" DECK SPRING STYLE PRE-RINSE W/ ADD ON FAUCET, ULTRA SPRAY VALVE PLUS & 6" SWING SPOUT
34266	8" DECK SPRING STYLE PRE-RINSE W/ ADD ON FAUCET, ULTRA SPRAY VALVE PLUS & 12" SWING SPOUT
ACCESSORIES	
75625	SUPPLY LINES 1/2" F X 1/2" F X 36" LONG (2 EACH)
2976	VANDAL RESISTANT KIT
2949-9001	SPRAY VALVE BRUSH
2932-0002	DUAL CHECK VACUUM BREAKER 3/4"-14 FEMALE X 3/4"-14 MALE



8" ADJ. WALL SPRING STYLE PRE-RINSE

BRASS	DESCRIPTION
2210-WB	8" ADJ. WALL SPRING STYLE PRE-RINSE & ULTRA SPRAY PLUS
ACCESSORIES	
64238	BACKSPLASH MOUNTING NIPPLES (2 EACH)
64211	CLOSE ELBOWS (2 EACH. REQUIRES BACKSPLASH MOUNTING NIPPLES)
64351	SUPPLY LINES 1/2" F X 1/2" M X 36" LONG (2 EACH. REQUIRES CLOSE ELBOWS)
75557	EZ INSTALL ADAPTER KIT INCLUDES ADAPTERS FOR T&S, CHICAGO & KROWNE
2976	VANDAL RESISTANT KIT
2949-9001	SPRAY VALVE BRUSH
2932-0002	DUAL CHECK VACUUM BREAKER 3/4"-14 FEMALE X 3/4"-14 MALE



8" ADJ. WALL SPRING STYLE PRE-RINSE W/ ADD ON FAUCET

BRASS	DESCRIPTION
34355	8" ADJ. WALL SPRING STYLE PRE-RINSE W/ ADD ON FAUCET, ULTRA SPRAY VALVE PLUS & 6" SWING SPOUT
34398	8" ADJ. WALL SPRING STYLE PRE-RINSE W/ ADD ON FAUCET, ULTRA SPRAY VALVE PLUS & 12" SWING SPOUT
ACCESSORIES	
64238	BACKSPLASH MOUNTING NIPPLES (2 EACH)
64211	CLOSE ELBOWS (2 EACH. REQUIRES BACKSPLASH MOUNTING NIPPLES)
64351	SUPPLY LINES 1/2" F X 1/2" M X 36" LONG (2 EACH. REQUIRES CLOSE ELBOWS)
75557	EZ INSTALL ADAPTER KIT INCLUDES ADAPTERS FOR T&S, CHICAGO & KROWNE
2976	VANDAL RESISTANT KIT
2949-9001	SPRAY VALVE BRUSH
2932-0002	DUAL CHECK VACUUM BREAKER 3/4"-14 FEMALE X 3/4"-14 MALE



DUAL DECK SPRING STYLE PRE-RINSE

BRASS	DESCRIPTION
2110-WB	DUAL DECK SPRING STYLE PRE-RINSE & ULTRA SPRAY PLUS
ACCESSORIES	
2976	VANDAL RESISTANT KIT
2949-9001	SPRAY VALVE BRUSH
2932-0002	DUAL CHECK VACUUM BREAKER 3/4"-14 FEMALE X 3/4"-14 MALE



DUAL DECK SPRING STYLE PRE-RINSE W/ ADD ON FAUCET

BRASS	DESCRIPTION
34169	DUAL DECK SPRING STYLE PRE-RINSE W/ ADD ON FAUCET, ULTRA SPRAY VALVE PLUS & 6" SWING SPOUT
34193	DUAL DECK SPRING STYLE PRE-RINSE W/ ADD ON FAUCET, ULTRA SPRAY VALVE PLUS & 12" SWING SPOUT
ACCESSORIES	
2976	VANDAL RESISTANT KIT
2949-9001	SPRAY VALVE BRUSH
2932-0002	DUAL CHECK VACUUM BREAKER 3/4"-14 FEMALE X 3/4"-14 MALE



8" BACKSPASH CONTROL VALVE

BRASS LEVER HANDLES	DESCRIPTION
13196	3/8" FEMALE OUTLET / CHECK STEMS



8" DECK CONTROL VALVE

BRASS LEVER HANDLES	DESCRIPTION
2300-CV	3/8" FEMALE OUTLET / CHECK STEMS



8" ADJ. WALL CONTROL VALVE

BRASS LEVER HANDLES	DESCRIPTION
2200-CV	3/8" FEMALE OUTLET / CHECK STEMS



4" BACKSPASH CONTROL VALVE

BRASS LEVER HANDLES	DESCRIPTION
2600-CV	3/8" FEMALE OUTLET / CHECK STEMS

*FAUCET BASE USED AS AN OPTION FOR PRE-RINSE



4" DECK CONTROL VALVE

BRASS LEVER HANDLES	DESCRIPTION
2500-CV	3/8" FEMALE OUTLET / CHECK STEMS

*FAUCET BASE USED AS AN OPTION FOR PRE-RINSE



DUAL DECK CONTROL VALVE

BRASS LEVER HANDLES	DESCRIPTION
13080	$\frac{3}{8}$ " FEMALE OUTLET / CHECK STEMS



SINGLE WALL / BACKSPLASH CONTROL VALVE

BRASS LEVER HANDLES	DESCRIPTION
2700	$\frac{3}{8}$ " FEMALE OUTLET / CHECK STEMS

*FAUCET BASE USED AS AN OPTION FOR PRE-RINSE



SINGLE DECK CONTROL VALVE

BRASS LEVER HANDLES	DESCRIPTION
12890	$\frac{3}{8}$ " FEMALE OUTLET / CHECK STEMS

*FAUCET BASE USED AS AN OPTION FOR PRE-RINSE



SINGLE BACKSPLASH BASE

BRASS LEVER HANDLES	DESCRIPTION
3900-0002	$\frac{3}{8}$ " FEMALE OUTLET

*FAUCET USED AS AN OPTION WITH 4" REMOTE CONTROL VALVE FOR PRE-RINSE



SINGLE DECK BASE

BRASS LEVER HANDLES	DESCRIPTION
2903	$\frac{3}{8}$ " FEMALE OUTLET

*FAUCET USED AS AN OPTION WITH 4" REMOTE CONTROL VALVE FOR PRE-RINSE



4" REMOTE CONTROL VALVE

BRASS LEVER HANDLES	DESCRIPTION
2805-CV	CHECK STEMS (REQUIRES BASE)

*USED WITH SINGLE WALL/BACKSPLASH OR SINGLE DECK BASE PRE-RINSE



PRE-RINSE SPRING STYLE SUB-ASSEMBLY

BRASS	DESCRIPTION
97993	SPRING STYLE SUB-ASSEMBLY W/ ULTRA SPRAY VALVE & 16" RISER FOR PRE-RINSES WITH ADDON FAUCETS
2928	SPRING STYLE SUB-ASSEMBLY W/ ULTRA SPRAY VALVE & 21" RISER FOR PRE-RINSES WITHOUT ADDON FAUCETS
75594	SPRING STYLE SUB-ASSEMBLY W/ ULTRA SPRAY VALVE 7 PLUS & 16" RISER FOR PRE-RINSES WITH ADDON FAUCETS
75595	SPRING STYLE SUB-ASSEMBLY W/ ULTRA SPRAY VALVE 7 PLUS & 21" RISER FOR PRE-RINSES WITHOUT ADDON FAUCETS

* INCLUDES ADAPTER TO ASSEMBLE TO T&S CONTROL VALVES

PRE-RINSE MINI SPRING STYLE SUB-ASSEMBLY

BRASS	DESCRIPTION
75410	MINI SPRING STYLE SUB-ASSEMBLY W/ ULTRA SPRAY VALVE & 4" RISER FOR PRE-RINSES WITH ADDON FAUCETS
75408	MINI SPRING STYLE SUB-ASSEMBLY W/ ULTRA SPRAY VALVE & 10" RISER FOR PRE-RINSES WITHOUT ADDON FAUCETS
75598	MINI SPRING STYLE SUB-ASSEMBLY W/ ULTRA SPRAY VALVE 7 PLUS & 4" RISER FOR PRE-RINSES WITH ADDON FAUCETS
75599	MINI SPRING STYLE SUB-ASSEMBLY W/ ULTRA SPRAY VALVE 7 PLUS & 10" RISER FOR PRE-RINSES WITHOUT ADDON FAUCETS

* INCLUDES ADAPTER TO ASSEMBLE TO T&S CONTROL VALVES

PRE-RINSE SWIVEL STYLE SUB-ASSEMBLY

BRASS	DESCRIPTION
2211-0000	SWIVEL STYLE SUB-ASSEMBLY W/ ULTRA SPRAY VALVE & 31" RISER FOR PRE-RINSES WITHOUT ADDON FAUCETS
75602	SWIVEL STYLE SUB-ASSEMBLY W/ ULTRA SPRAY VALVE 7 PLUS & 25" RISER FOR PRE-RINSES WITH ADDON FAUCETS
75603	SWIVEL STYLE SUB-ASSEMBLY W/ ULTRA SPRAY VALVE 7 PLUS & 31" RISER FOR PRE-RINSES WITHOUT ADDON FAUCETS

* INCLUDES ADAPTER TO ASSEMBLE TO T&S CONTROL VALVES

GLASS FILLER SPRING STYLE SUB-ASSEMBLY

BRASS	DESCRIPTION
75564	SPRING STYLE SUB-ASSEMBLY W/ GLASS FILLER VALVE & 16" RISER FOR GLASS FILLERS WITH ADDON FAUCETS
75555	SPRING STYLE SUB-ASSEMBLY W/ GLASS FILLER VALVE & 21" RISER FOR GLASS FILLERS WITHOUT ADDON FAUCETS

* INCLUDES ADAPTER TO ASSEMBLE TO T&S CONTROL VALVES

1/2" CHECK STEM REPAIR KIT

BRASS	DESCRIPTION
2000-0004	RH CHECK STEM REPAIR KIT
2000-0005	LH CHECK STEM REPAIR KIT

1/2" SWIVEL STEM REPAIR KIT

BRASS	DESCRIPTION
3000-0000	RH SWIVEL STEM REPAIR KIT

DUAL CHECK VALVES & VACUUM BREAKERS

BRASS	DESCRIPTION
2932-0002	DUAL CHECK VACUUM BREAKER 3/4"-14 FEMALE X 3/4"-14 MALE



NIPPLES FOR ADJ. WALL PRE-RINSES

BRASS	DESCRIPTION
64238	NIPPLE FOR 1/2" ADJ. WALL PRE-RINSES 1/2" NPT MALE X 1/2" NPT MALE X 1 3/4" LONG W/ SLIP JOINT KIT (2 EACH)
2200-0000	NIPPLE FOR 1/2" ADJ. WALL PRE-RINSES 1/2" NPT MALE X 1/2" NPT MALE X 1 3/4" LONG W/ SLIP JOINT KIT



ELBOWS FOR ADJ. WALL W/ NIPPLE & BACKSPASH PRE-RINSE

BRASS	DESCRIPTION
2400-2103	ELBOWS FOR 1/2" WALL W/ NIPPLES & BACKSPASH PRE-RINSES 1/2" NPT FEMALE X 1/2" NPT FEMALE
64211	ELBOWS FOR 1/2" WALL W/ NIPPLES & BACKSPASH PRE-RINSES 1/2" NPT FEMALE X 1/2" NPT FEMALE (2 EACH)



SUPPLY LINES FOR 1/2" PRE-RINSE UNITS

BRASS	DESCRIPTION
10006	SUPPLY LINES FOR 1/2" PRE-RINSES 1/2" FEMALE X 1/2" MALE X 36" LONG
64351	SUPPLY LINES FOR 1/2" PRE-RINSES 1/2" FEMALE X 1/2" MALE X 36" LONG (2 EACH)
10022	SUPPLY LINES FOR 1/2" PRE-RINSES 1/2" FEMALE X 1/2" FEMALE X 36" LONG
75625	SUPPLY LINES FOR 1/2" PRE-RINSES 1/2" FEMALE X 1/2" FEMALE X 36" LONG (2 EACH)



EZ INSTALL ADAPTERS

BRASS	DESCRIPTION
75557	EZ INSTALL ADAPTER KIT INCLUDES ADAPTERS FOR T&S, CHICAGO & KROWNE



SPRAY VALVE BRUSH

BRASS	DESCRIPTION
2949-9001	SPRAY VALVE BRUSH



1/2" SWING SPOUTS FOR ADDON FAUCET

BRASS	DESCRIPTION
3960	6" SWING SPOUT
3961	8" SWING SPOUT
3962	10" SWING SPOUT
3963	12" SWING SPOUT
3964	14" SWING SPOUT
3967	16" SWING SPOUT



ADDON FAUCETS

BRASS	DESCRIPTION
2901	ADDON FAUCET W/ 4" RISER W/ 6" SPOUT
2901-12	ADDON FAUCET W/ 4" RISER W/ 12" SPOUT
2901-0000	ADDON FAUCET W/ 4" RISER LESS SPOUT

THIS PAGE INTENTIONALLY BLANK

1/2" PRE-RINSE UNITS - STAINLESS STEEL

Save thousands of dollars in utility bills by equipping your commercial kitchen with one of our innovative Fisher Pre-Rinse Units. Each unit features the water saving Ultra Spray Valve Plus and new Chemical Tee. Fisher now offers a 10 year warranty on stainless steel.

CHECK OUT THESE PRE-RINSE FEATURES:



EXTRA COIL DENSITY

Provides enhanced protection against hose and armor fatigue at critical points.

UNIVERSAL DESIGN

Fits ALL brands.

MULTI-COIL DESIGN

Enhanced at both ends.

CHEM TEE

Less obstruction - no need for a longer hose. The flush mount 3/8" NPT plug is included. The chemical port connection ensures easy installation for a reduced cost in labor.



WALL BRACKET

Secures the pre-rinse unit to the wall with 3 set screws to provide reinforcement and stability while also being adjustable.



INTERNATIONALLY COLOR CODED IDENTIFICATION BUTTONS ON HANDLES

Hot (red) and cold (blue) for safety.



3-PLY AIRCRAFT HYDRAULIC INNER HOSE

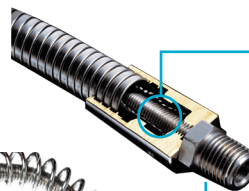
Lasts three times longer.

EXTENDED LENGTH THREADED INSERT

Securely seals the inner hose.

STAINLESS STEEL ARMOR JACKET

Relieves tension and abrasion on the inner hose to provide a longer service life.



INSULATED HANDLE

The heat resistant handle is insulated with inner tubing for added durability.



ULTRA SPRAY VALVE

STANDARD PROTECTIVE FULL-SURROUNDING DISH GUARD BUMPER

Eliminates leaking.

PTFE-DISC FOR SMOOTHER ACTION

1.15 GPM Knife Edge spray nozzle

Guaranteed for 1 million cycles!

HEAVY DUTY LIFT PIN

The two o-rings ensure a proper seal.

FITS ALL BRANDS OF HOSES



TWO PART CHECK STEM

For the prevention of cross flow and lower maintenance.

STAINLESS STEEL SEATS

Resists abrasion and comes with a lifetime guarantee against leaks.

STAINLESS STEEL BODY

Lead free and corrosion resistant for easy cleanability and maintenance. Its physical durability exhibits its longevity.

SWIVEL STYLE OPTIONS



SWIVEL STYLE

The long swivel arm provides maximum reach and a superior range of motion.

PRE-RINSE CRITICAL POINTS

Overall height from base of faucet

Spring Style - 38"

Swivel Style - 38"

Mini Style - 22 3/8"

Distance from bottom of spray valve to bottom of faucet:

Spring Style - 12"

Swivel Style - 7"

Mini Style - 7 5/8"



8" BACKSPASH SPRING STYLE PRE-RINSE

STAINLESS	DESCRIPTION
67989	8" BACKSPASH SPRING STYLE PRE-RINSE & ULTRA SPRAY PLUS
52922	8" BACKSPASH SPRING STYLE PRE-RINSE & ULTRA SPRAY PLUS WITH EZ INSTALL ADAPTERS
ACCESSORIES	
71447	CLOSE ELBOWS (2 EACH)
64351	SUPPLY LINES 1/2" F X 1/2" M X 36" LONG (2 EACH. REQUIRES CLOSE ELBOWS)
2976	VANDAL RESISTANT KIT
2949-9001	SPRAY VALVE BRUSH
2932-0002	DUAL CHECK VACUUM BREAKER 3/4"-14 FEMALE X 3/4"-14 MALE



8" BACKSPASH SPRING STYLE PRE-RINSE W/ ADD ON FAUCET

STAINLESS	DESCRIPTION
68071	8" BACKSPASH SPRING STYLE PRE-RINSE W/ ADD ON FAUCET, ULTRA SPRAY VALVE PLUS & 6" SWING SPOUT
68128	8" BACKSPASH SPRING STYLE PRE-RINSE W/ ADD ON FAUCET, ULTRA SPRAY VALVE PLUS & 12" SWING SPOUT
52930	8" BACKSPASH SPRING STYLE PRE-RINSE W/ ADD ON FAUCET, ULTRA SPRAY VALVE PLUS & 6" SWING SPOUT WITH EZ INSTALL ADAPTERS
52965	8" BACKSPASH SPRING STYLE PRE-RINSE W/ ADD ON FAUCET, ULTRA SPRAY VALVE PLUS & 12" SWING SPOUT WITH EZ INSTALL ADAPTERS
ACCESSORIES	
71447	CLOSE ELBOWS (2 EACH)
64351	SUPPLY LINES 1/2" F X 1/2" M X 36" LONG (2 EACH. REQUIRES CLOSE ELBOWS)
2976	VANDAL RESISTANT KIT
2949-9001	SPRAY VALVE BRUSH
2932-0002	DUAL CHECK VACUUM BREAKER 3/4"-14 FEMALE X 3/4"-14 MALE



8" DECK SPRING STYLE PRE-RINSE

STAINLESS	DESCRIPTION
68217	8" DECK SPRING STYLE PRE-RINSE & ULTRA SPRAY PLUS
ACCESSORIES	
75625	SUPPLY LINES 1/2" F X 1/2" F X 36" LONG (2 EACH)
2976	VANDAL RESISTANT KIT
2949-9001	SPRAY VALVE BRUSH
2932-0002	DUAL CHECK VACUUM BREAKER 3/4"-14 FEMALE X 3/4"-14 MALE



8" DECK SPRING STYLE PRE-RINSE W/ ADD ON FAUCET

STAINLESS	DESCRIPTION
68225	8" DECK SPRING STYLE PRE-RINSE W/ ADD ON FAUCET, ULTRA SPRAY VALVE PLUS & 6" SWING SPOUT
68268	8" DECK SPRING STYLE PRE-RINSE W/ ADD ON FAUCET, ULTRA SPRAY VALVE PLUS & 12" SWING SPOUT
ACCESSORIES	
75625	SUPPLY LINES 1/2" F X 1/2" F X 36" LONG (2 EACH)
2976	VANDAL RESISTANT KIT
2949-9001	SPRAY VALVE BRUSH
2932-0002	DUAL CHECK VACUUM BREAKER 3/4"-14 FEMALE X 3/4"-14 MALE



8" ADJ. WALL SPRING STYLE PRE-RINSE

STAINLESS	DESCRIPTION
53430	8" ADJ. WALL SPRING STYLE PRE-RINSE & ULTRA SPRAY PLUS
ACCESSORIES	
71439	BACKSPLASH MOUNTING NIPPLES (2 EACH)
71447	CLOSE ELBOWS (2 EACH. REQUIRES BACKSPLASH MOUNTING NIPPLES)
64351	SUPPLY LINES 1/2" F X 1/2" M X 36" LONG (2 EACH. REQUIRES CLOSE ELBOWS)
70653	EZ INSTALL ADAPTER KIT INCLUDES ADAPTERS FOR T&S, CHICAGO & KROWNE
2976	VANDAL RESISTANT KIT
2949-9001	SPRAY VALVE BRUSH
2932-0002	DUAL CHECK VACUUM BREAKER 3/4"-14 FEMALE X 3/4"-14 MALE



8" ADJ. WALL SPRING STYLE PRE-RINSE W/ ADD ON FAUCET

STAINLESS	DESCRIPTION
53449	8" ADJ. WALL SPRING STYLE PRE-RINSE W/ ADD ON FAUCET, ULTRA SPRAY VALVE PLUS & 6" SWING SPOUT
53473	8" ADJ. WALL SPRING STYLE PRE-RINSE W/ ADD ON FAUCET, ULTRA SPRAY VALVE PLUS & 12" SWING SPOUT
ACCESSORIES	
71439	BACKSPLASH MOUNTING NIPPLES (2 EACH)
71447	CLOSE ELBOWS (2 EACH. REQUIRES BACKSPLASH MOUNTING NIPPLES)
64351	SUPPLY LINES 1/2" F X 1/2" M X 36" LONG (2 EACH. REQUIRES CLOSE ELBOWS)
70653	EZ INSTALL ADAPTER KIT INCLUDES ADAPTERS FOR T&S, CHICAGO & KROWNE
2976	VANDAL RESISTANT KIT
2949-9001	SPRAY VALVE BRUSH
2932-0002	DUAL CHECK VACUUM BREAKER 3/4"-14 FEMALE X 3/4"-14 MALE



DUAL DECK SPRING STYLE PRE-RINSE

STAINLESS	DESCRIPTION
53007	DUAL DECK SPRING STYLE PRE-RINSE & ULTRA SPRAY PLUS
ACCESSORIES	
2976	VANDAL RESISTANT KIT
2949-9001	SPRAY VALVE BRUSH
2932-0002	DUAL CHECK VACUUM BREAKER 3/4"-14 FEMALE X 3/4"-14 MALE



DUAL DECK SPRING STYLE PRE-RINSE W/ ADD ON FAUCET

STAINLESS	DESCRIPTION
53015	DUAL DECK SPRING STYLE PRE-RINSE W/ ADD ON FAUCET, ULTRA SPRAY VALVE PLUS & 6" SWING SPOUT
53058	DUAL DECK SPRING STYLE PRE-RINSE W/ ADD ON FAUCET, ULTRA SPRAY VALVE PLUS & 12" SWING SPOUT
ACCESSORIES	
2976	VANDAL RESISTANT KIT
2949-9001	SPRAY VALVE BRUSH
2932-0002	DUAL CHECK VACUUM BREAKER 3/4"-14 FEMALE X 3/4"-14 MALE



8" BACKSPLASH CONTROL VALVE

STAINLESS LEVER HANDLES	DESCRIPTION
61662	3/8" FEMALE OUTLET / CHECK STEMS



8" DECK CONTROL VALVE

STAINLESS LEVER HANDLES	DESCRIPTION
67407	3/8" FEMALE OUTLET / CHECK STEMS



8" ADJ. WALL CONTROL VALVE

STAINLESS LEVER HANDLES	DESCRIPTION
61689	3/8" FEMALE OUTLET / CHECK STEMS



4" BACKSPLASH CONTROL VALVE

STAINLESS LEVER HANDLES	DESCRIPTION
62936	3/8" FEMALE OUTLET / CHECK STEMS

*FAUCET BASE USED AS AN OPTION FOR PRE-RINSE



4" DECK CONTROL VALVE

STAINLESS LEVER HANDLES	DESCRIPTION
67458	3/8" FEMALE OUTLET / CHECK STEMS

*FAUCET BASE USED AS AN OPTION FOR PRE-RINSE



DUAL DECK CONTROL VALVE

STAINLESS LEVER HANDLES	DESCRIPTION
63134	3/8" FEMALE OUTLET / CHECK STEMS



SINGLE WALL / BACKSPLASH CONTROL VALVE

STAINLESS LEVER HANDLES	DESCRIPTION
70432	3/8" FEMALE OUTLET / CHECK STEMS

*FAUCET BASE USED AS AN OPTION FOR PRE-RINSE



SINGLE DECK CONTROL VALVE

STAINLESS LEVER HANDLES	DESCRIPTION
66591	3/8" FEMALE OUTLET / CHECK STEMS

*FAUCET BASE USED AS AN OPTION FOR PRE-RINSE



SINGLE BACKSPLASH BASE

STAINLESS LEVER HANDLES	DESCRIPTION
3900-0002	3/8" FEMALE OUTLET



SINGLE DECK BASE

STAINLESS LEVER HANDLES	DESCRIPTION
2903	3/8" FEMALE OUTLET

*FAUCET USED AS AN OPTION WITH 4" REMOTE CONTROL VALVE FOR PRE-RINSE



PRE-RINSE SPRING STYLE SUB-ASSEMBLY

STAINLESS	DESCRIPTION
32697	SPRING STYLE SUB-ASSEMBLY W/ ULTRA SPRAY VALVE & 16" RISER FOR PRE-RINSES WITH ADDON FAUCETS
38660	SPRING STYLE SUB-ASSEMBLY W/ ULTRA SPRAY VALVE & 21" RISER FOR PRE-RINSES WITHOUT ADDON FAUCETS
75596	SPRING STYLE SUB-ASSEMBLY W/ ULTRA SPRAY VALVE 7 PLUS & 16" RISER FOR PRE-RINSES WITH ADDON FAUCETS
75597	SPRING STYLE SUB-ASSEMBLY W/ ULTRA SPRAY VALVE 7 PLUS & 21" RISER FOR PRE-RINSES WITHOUT ADDON FAUCETS

* INCLUDES ADAPTER TO ASSEMBLE TO T&S CONTROL VALVES



PRE-RINSE MINI SPRING STYLE SUB-ASSEMBLY

STAINLESS	DESCRIPTION
75411	MINI SPRING STYLE SUB-ASSEMBLY W/ ULTRA SPRAY VALVE & 4" RISER FOR PRE-RINSES WITH ADDON FAUCETS
75409	MINI SPRING STYLE SUB-ASSEMBLY W/ ULTRA SPRAY VALVE & 10" RISER FOR PRE-RINSES WITHOUT ADDON FAUCETS
75600	MINI SPRING STYLE SUB-ASSEMBLY W/ ULTRA SPRAY VALVE 7 PLUS & 4" RISER FOR PRE-RINSES WITH ADDON FAUCETS
75601	MINI SPRING STYLE SUB-ASSEMBLY W/ ULTRA SPRAY VALVE 7 PLUS & 10" RISER FOR PRE-RINSES WITHOUT ADDON FAUCETS

* INCLUDES ADAPTER TO ASSEMBLE TO T&S CONTROL VALVES



1/2" CHECK STEM REPAIR KIT

STAINLESS	DESCRIPTION
54502	RH CHECK STEM REPAIR KIT
54510	LH CHECK STEM REPAIR KIT



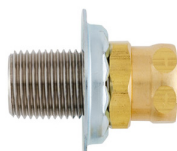
1/2" SWIVEL STEM REPAIR KIT

STAINLESS	DESCRIPTION
54518	RH SWIVEL STEM REPAIR KIT



DUAL CHECK VALVES & VACUUM BREAKERS

STAINLESS	DESCRIPTION
2932-0002	DUAL CHECK VACUUM BREAKER 3/4"-14 FEMALE X 3/4"-14 MALE



NIPPLES FOR ADJ. WALL PRE-RINSES

STAINLESS	DESCRIPTION
71439	NIPPLES FOR 1/2" ADJ. WALL PRE-RINSES 1/2" NPT MALE X 1/2" NPT MALE X 1 3/4" LONG W/ SLIP JOINT KIT (2 EACH)
70645	NIPPLE FOR 1/2" ADJ WALL PRE-RINSES 1/2" NPT MALE X 1/2" NPT MALE X 1 3/4" LONG W/SLIP JOINT KIT



ELBOWS FOR ADJ. WALL W/ NIPPLE & BACKSPLASH PRE-RINSE

STAINLESS	DESCRIPTION
71498	ELBOW FOR 1/2" WALL W/ NIPPLES & BACKSPLASH PRE-RINSES 1/2" NPT FEMALE X 1/2" NPT FEMALE
71447	ELBOWS FOR 1/2" WALL W/ NIPPLES & BACKSPLASH PRE-RINSES 1/2" NPT FEMALE X 1/2" NPT FEMALE (2 EACH)



SUPPLY LINES FOR 1/2" PRE-RINSE UNITS

STAINLESS	DESCRIPTION
10006	SUPPLY LINES FOR 1/2" PRE-RINSES 1/2" FEMALE X 1/2" MALE X 36" LONG
64351	SUPPLY LINES FOR 1/2" PRE-RINSES 1/2" FEMALE X 1/2" MALE X 36" LONG (2 EACH)
10022	SUPPLY LINES FOR 1/2" PRE-RINSES 1/2" FEMALE X 1/2" FEMALE X 36" LONG
75625	SUPPLY LINES FOR 1/2" PRE-RINSES 1/2" FEMALE X 1/2" FEMALE X 36" LONG (2 EACH)



EZ INSTALL ADAPTERS

STAINLESS	DESCRIPTION
70653	EZ INSTALL ADAPTER KIT INCLUDES ADAPTERS FOR T&S, CHICAGO & KROWNE



SPRAY VALVE BRUSH

STAINLESS	DESCRIPTION
2949-9001	SPRAY VALVE BRUSH



1/2" SWING SPOUTS FOR ADDON FAUCET

STAINLESS	DESCRIPTION
54380	6" SWING SPOUT
54399	8" SWING SPOUT
54402	10" SWING SPOUT
54410	12" SWING SPOUT
54429	14" SWING SPOUT
54445	16" SWING SPOUT



ADDON FAUCETS

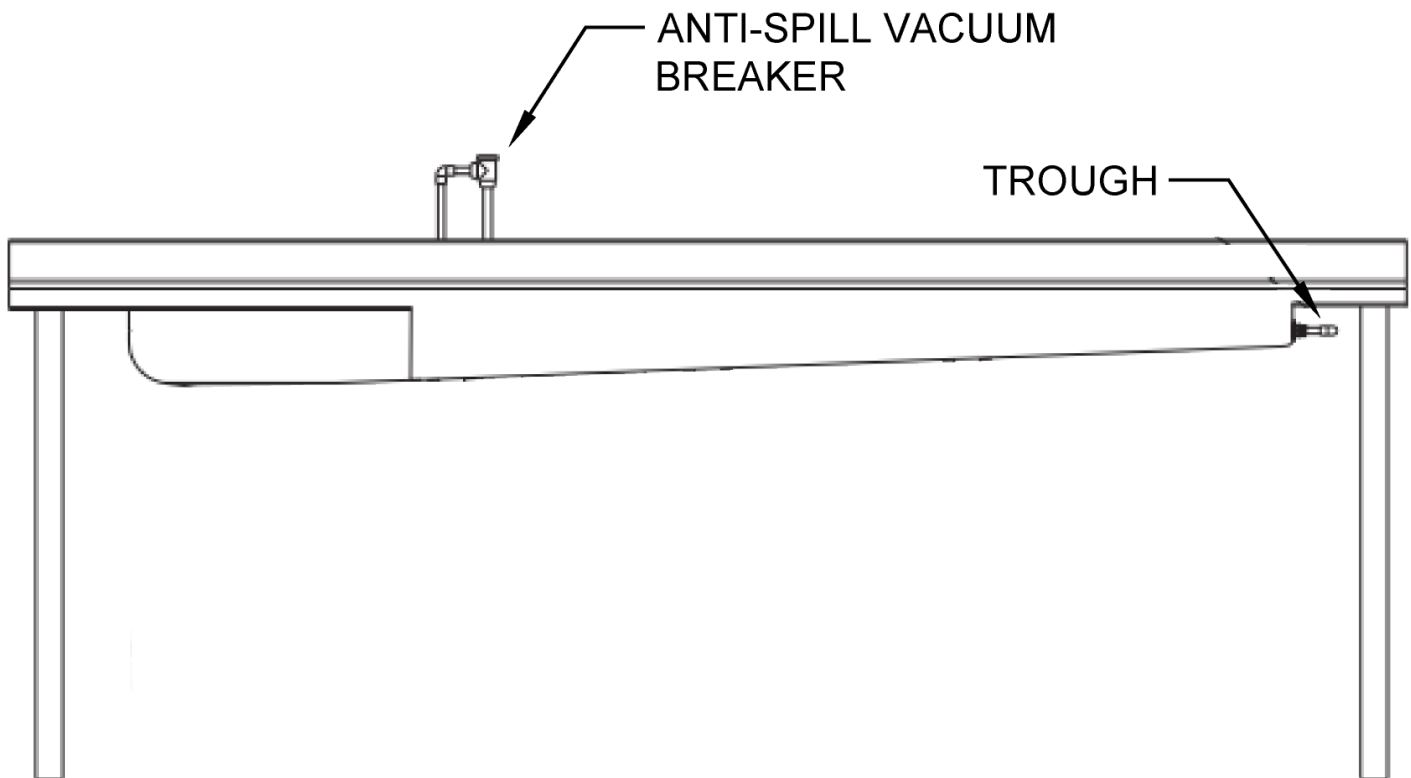
STAINLESS	DESCRIPTION
71323	ADDON FAUCET W/ 4" RISER W/ 6" SPOUT
71366	ADDON FAUCET W/ 4" RISER W/ 12" SPOUT
38318	ADDON FAUCET W/ 4" RISER LESS SPOUT

THIS PAGE INTENTIONALLY BLANK

DISH MACHINE & SCRAP FITTINGS

Fisher Dish Machine products are designed in brass and stainless steel and made for long service life. The atmospheric vacuum breaker is designed to protect against contaminated water from being siphoned back into the clean water supply. The Trough Water and Inlet fittings, keep your faucet working properly. They are designed specially to reduce the risk of food contamination by washing away waste in scrap station. Ideal for kitchen prep areas. Fisher now has a 4- year warranty on Brass and 10 -year warranty in Stainless Steel.

CHECK OUT THE THESE DISH MACHINE & SCRAP FITTINGS FEATURES:





INLET FITTING

STAINLESS	DESCRIPTION
2905	TROUGH WATER INLET FITTING



INLET FITTING

BRASS	DESCRIPTION
81930	INLET FITTING ASSEMBLY 3 GASKETS



VACUUM BREAKER

BRASS	DESCRIPTION
3990	LEDGE MOUNT ATMOSPHERIC VACUUM BREAKER 1/2" X 6"



STRAIGHT STOP

BRASS CROSS HANDLE	DESCRIPTION
2933	STRAIGHT STOP 1/2" FEMALE INLET X 1/2" FEMALE OUTLET



TEMPERATURE ADJUSTING VALVE

BRASS	DESCRIPTION
2970-3	TEMPERATURE ADJUSTING VALVE 1/2" MALE INLETS X 1/2" FEMALE SLIP JOINT OUTLET W/ CHECK VALVES

1/2" POT FILLER HOSE & GLASS FILLER UNITS - BRASS

Filling large volume kettles is often time consuming and inconvenient, but Fisher Kettle and Glass Fillers make it easy and efficient. The hook-shaped spout hangs on the kettle's side while filling it with water. The simple design for both the kettle and glass filler also gives you maximum mobility and allows you to get to even the hardest to reach places within your kitchen. Our kettle and glass fillers also come with the options of a Swivel Hose Adapter and Backflow Preventer. Choose from a variety of wall or deck mount models. Ideal for restaurants, healthcare facilities, grocery/retail facilities, hospitality facilities, and convenience stores. Fisher brass products now come with a 4 year warranty.

CHECK OUT THE FEATURES OF OUR 1/2" KETTLE FILLER:



INTERNATIONALLY COLOR CODED IDENTIFICATION BUTTONS ON HANDLES

Hot (red) and cold (blue) for safety.



POT FILLER VALVE

Heat resistant and **guaranteed 1 Million cycles.** OR

GLASS FILLER VALVE

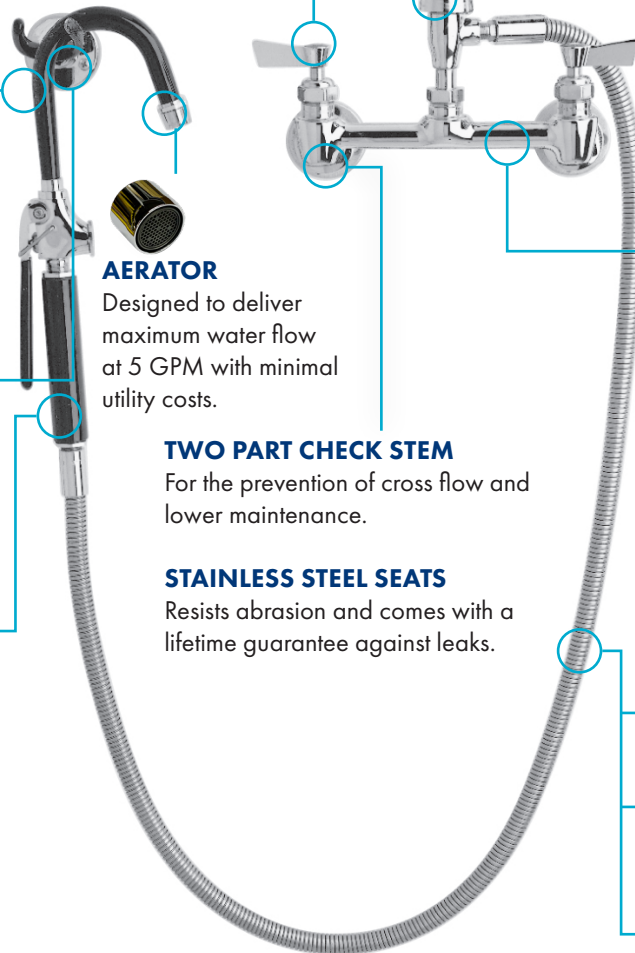
Designed to deliver maximum water flow 5.0 GPM with minimal utility costs. Comes with angled head for increased comfort during use.

WALL HOOK

Mounts to the wall to secure the pot filler valve when not in use so it is prevented from getting in the way.

INSULATED HANDLE

The heat resistant handle is insulated with inner tubing for added durability.



AERATOR

Designed to deliver maximum water flow at 5 GPM with minimal utility costs.

TWO PART CHECK STEM

For the prevention of cross flow and lower maintenance.

STAINLESS STEEL SEATS

Resists abrasion and comes with a lifetime guarantee against leaks.

SWIVEL HOSE ADAPTER 1/4" F OUTLET ATMOSPHERIC VACUUM BREAKER

The atmospheric vacuum breaker helps prevent both pollutants and contaminants from backflow-siphonage.

OR SWIVEL HOSE ADAPTER 1/4"

Provides a full 360 degree range of motion while also putting less stress on the hose connections.



BACKFLOW PREVENTER

Prevents backflow caused by backflow-siphonage or back pressure.



BRASS BODY

The high polished nickel chromium finish allows for easy cleanability and added durability.



FOODGRADE HOSE

Ensures the taste of the food is not altered.

STAINLESS STEEL ARMOR JACKET

Relieves tension and abrasion on the inner hose to provide a longer service life.

EXTENDED LENGTH THREADED INSERT

Securely seals the inner hose.



8" ADJ. WALL POT FILLER HOSE UNITS

BRASS	DESCRIPTION
2240	8" ADJ. WALL W/ SWIVEL ELBOW VACUUM BREAKER & 60" HOSE
ACCESSORIES	
64238	BACKSPLASH MOUNTING NIPPLES (2 EACH)
64211	CLOSE ELBOWS (2 EACH. REQUIRES BACKSPLASH MOUNTING NIPPLES)
64351	SUPPLY LINES 1/2" F X 1/2" M X 36" LONG (2 EACH. REQUIRES CLOSE ELBOWS)
75557	EZ INSTALL ADAPTER KIT INCLUDES ADAPTERS FOR T&S, CHICAGO & KROWNE
2976	VANDAL RESISTANT KIT



8" ADJ. WALL POT FILLER HOSE UNITS

BRASS	DESCRIPTION
2250	8" ADJ. WALL W/ SWIVEL ELBOW & 60" HOSE
ACCESSORIES	
64238	BACKSPLASH MOUNTING NIPPLES (2 EACH)
64211	CLOSE ELBOWS (2 EACH. REQUIRES BACKSPLASH MOUNTING NIPPLES)
64351	SUPPLY LINES 1/2" F X 1/2" M X 36" LONG (2 EACH. REQUIRES CLOSE ELBOWS)
75557	EZ INSTALL ADAPTER KIT INCLUDES ADAPTERS FOR T&S, CHICAGO & KROWNE
2976	VANDAL RESISTANT KIT
2542	DUAL CHECK VACUUM BREAKER 1/4" FEMALE X 1/4" MALE



SINGLE WALL / BACKSPLASH POT FILLER HOSE UNITS

BRASS	DESCRIPTION
2740	SINGLE WALL / BACKSPLASH W/ SWIVEL ELBOW VACUUM BREAKER & 60" HOSE
ACCESSORIES	
2400-2103	CLOSE ELBOWS
10006	SUPPLY LINES 1/2" F X 1/2" M X 36" LONG (2 EACH. REQUIRES CLOSE ELBOWS)
75557	EZ INSTALL ADAPTER KIT INCLUDES ADAPTERS FOR T&S, CHICAGO & KROWNE
2976	VANDAL RESISTANT KIT



SINGLE WALL / BACKSPLASH POT FILLER HOSE UNITS

BRASS	DESCRIPTION
2750	SINGLE WALL / BACKSPLASH W/ SWIVEL ELBOW & 60" HOSE
ACCESSORIES	
2400-2103	CLOSE ELBOWS
10006	SUPPLY LINES 1/2" F X 1/2" M X 36" LONG (2 EACH. REQUIRES CLOSE ELBOWS)
75557	EZ INSTALL ADAPTER KIT INCLUDES ADAPTERS FOR T&S, CHICAGO & KROWNE
2976	VANDAL RESISTANT KIT
2542	DUAL CHECK VACUUM BREAKER 1/4" FEMALE X 1/4" MALE



GLASS FILLER HOSE UNITS

BRASS	DESCRIPTION
1465	GLASS FILLER WITH 60" HOSE
ACCESSORIES	
6343	DECK FLANGE
2542	DUAL CHECK VACUUM BREAKER 1/4" FEMALE X 1/4" MALE



NIPPLES FOR ADJ. WALL UNITS

BRASS	DESCRIPTION
64238	NIPPLES FOR 1/2" ADJ. WALL UNITS 1/2" NPT MALE X 1/2" NPT MALE X 1 3/4" LONG W/ SLIP JOINT KIT (2 EACH)
2200-0000	NIPPLE FOR 1/2" UNITS 1/2" NPT MALE X 1/2" NPT MALE X 1 3/4" LONG W/SLIP JOINT KIT



ELBOWS FOR ADJ. WALL W/ NIPPLE & BACKSPASH UNITS

BRASS	DESCRIPTION
2400-2103	ELBOWS FOR 1/2" WALL W/ NIPPLES & BACKSPASH PRE-RINSES UNITS 1/2" NPT FEMALE X 1/2" NPT FEMALE
64211	ELBOWS FOR 1/2" WALL W/ NIPPLES & BACKSPASH PRE-RINSES UNITS 1/2" NPT FEMALE X 1/2" NPT FEMALE (2 EACH)



SUPPLY LINES FOR 1/2" UNITS

BRASS	DESCRIPTION
10006	SUPPLY LINES FOR 1/2" FEMALE X 1/2" MALE X 36" LONG
64351	SUPPLY LINES FOR 1/2" FEMALE X 1/2" MALE X 36" LONG (2 EACH)
10022	SUPPLY LINES FOR 1/2" FEMALE X 1/2" FEMALE X 36" LONG
75625	SUPPLY LINES FOR 1/2" FEMALE X 1/2" FEMALE X 36" LONG (2 EACH)



EZ INSTALL ADAPTERS

BRASS	DESCRIPTION
75557	EZ INSTALL ADAPTER KIT INCLUDES ADAPTERS FOR T&S, CHICAGO & KROWNE



DUAL CHECK VALVES & VACUUM BREAKERS

BRASS	DESCRIPTION
2542	DUAL CHECK VACUUM BREAKER 3/4"-14 FEMALE X 3/4"-14 MALE



SPRAY VALVE BRUSH

BRASS	DESCRIPTION
2949-9001	SPRAY VALVE BRUSH



DECK FLANGE

BRASS	DESCRIPTION
6343	DECK FLANGE



1/2" CHECK STEM REPAIR KIT

BRASS	DESCRIPTION
2000-0004	RH CHECK STEM REPAIR KIT
2000-0005	LH CHECK STEM REPAIR KIT



1/2" SWIVEL STEM REPAIR KIT

BRASS	DESCRIPTION
3000-0000	RH SWIVEL STEM REPAIR KIT



8" BACKSPLASH CONTROL VALVE

BRASS LEVER HANDLES	DESCRIPTION
13161	SWIVEL OUTLET / CHECK STEMS
13196	3/8" FEMALE OUTLET / SWIVEL STEMS

* FAUCET BASE USED AS AN OPTION FOR UTILITY / POT FILLERS



8" DECK CONTROL VALVE

BRASS LEVER HANDLES	DESCRIPTION
3300-CV	SWIVEL OUTLET / CHECK STEMS
2300-CV	3/8" FEMALE OUTLET / SWIVEL STEMS

* FAUCET BASE USED AS AN OPTION FOR UTILITY / POT FILLERS



8" ADJ. WALL CONTROL VALVE

BRASS LEVER HANDLES	DESCRIPTION
3200-CV	SWIVEL OUTLET / CHECK STEMS
2200-CV	3/8" FEMALE OUTLET / SWIVEL STEMS



4" BACKSPLASH CONTROL VALVE

BRASS LEVER HANDLES	DESCRIPTION
3600-CV	SWIVEL OUTLET / CHECK STEMS
2600-CV	3/8" FEMALE OUTLET / SWIVEL STEMS

* FAUCET BASE USED AS AN OPTION FOR UTILITY / POT FILLERS



4" DECK CONTROL VALVE

BRASS LEVER HANDLES	DESCRIPTION
3500-CV	SWIVEL OUTLET / CHECK STEMS
2500-CV	3/8" FEMALE OUTLET / SWIVEL STEMS

* FAUCET BASE USED AS AN OPTION FOR UTILITY / POT FILLERS



DUAL DECK CONTROL VALVE

BRASS LEVER HANDLES	DESCRIPTION
13072	SWIVEL OUTLET / CHECK STEMS
13080	3/8" FEMALE OUTLET / SWIVEL STEMS

* FAUCET BASE USED AS AN OPTION FOR UTILITY/POT FILLERS



SINGLE WALL / BACKSPLASH CONTROL VALVE

BRASS LEVER HANDLES	DESCRIPTION
3700	SWIVEL OUTLET / SWIVEL STEMS
2700	3/8" FEMALE OUTLET / SWIVEL STEMS



SINGLE DECK CONTROL VALVE

BRASS LEVER HANDLES	DESCRIPTION
12815	SWIVEL OUTLET / SWIVEL STEMS
12890	3/8" FEMALE OUTLET / SWIVEL STEMS

* FAUCET BASE USED AS AN OPTION FOR UTILITY/POT FILLERS



SINGLE BACKSPLASH BASE

BRASS LEVER HANDLES	DESCRIPTION
3900	SWIVEL OUTLET
3900-0002	3/8" FEMALE OUTLET

* FAUCET USED AS AN OPTION WITH 4" CONTROL VALVE FOR UTILITY/POT FILLERS



SINGLE DECK BASE

BRASS LEVER HANDLES	DESCRIPTION
3800	SWIVEL OUTLET
2903	3/8" FEMALE OUTLET

* FAUCET USED AS AN OPTION WITH 4" CONTROL VALVE FOR UTILITY/POT FILLERS



4" REMOTE CONTROL VALVE

BRASS LEVER HANDLES	DESCRIPTION
2805-CV	CHECK STEMS (REQUIRES BASE)

* USED WITH SINGLE BACKSPLASH BASE OR SINGLE DECK BASE FOR UTILITY/POT FILLER



POT FILLER HOSE UNIT SUB-ASSEMBLYS WITH SWIVEL ELBOW VACUUM BREAKER

BRASS	DESCRIPTION
75568	POT FILLER HOSE UNIT SUB-ASSEMBLY WITH SWIVEL ELBOW VACUUM BREAKER & 60" HOSE
75570	POT FILLER HOSE UNIT SUB-ASSEMBLY WITH SWIVEL ELBOW VACUUM BREAKER & 96" HOSE

*INCLUDES SWIVEL ADAPTER FOR MOUNTING TO ADDON FAUCET IF USED



GLASS FILLER HOSE UNIT SUB-ASSEMBLYS WITH SWIVEL ELBOW VACUUM BREAKER

BRASS	DESCRIPTION
75571	GLASS FILLER HOSE UNIT SUB-ASSEMBLY WITH SWIVEL ELBOW VACUUM BREAKER & 60" HOSE
75572	GLASS FILLER HOSE UNIT SUB-ASSEMBLY WITH SWIVEL ELBOW VACUUM BREAKER & 96" HOSE

*INCLUDES SWIVEL ADAPTER FOR MOUNTING TO ADDON FAUCET IF USED



UTILITY SPRAY HOSE UNIT SUB-ASSEMBLYS WITH SWIVEL ELBOW VACUUM BREAKER

BRASS	DESCRIPTION
75577	UTILITY SPRAY HOSE UNIT SUB-ASSEMBLY WITH SWIVEL ELBOW VACUUM BREAKER & 60" HOSE
75579	UTILITY SPRAY HOSE UNIT SUB-ASSEMBLY WITH SWIVEL ELBOW VACUUM BREAKER & 96" HOSE

*INCLUDES SWIVEL ADAPTER FOR MOUNTING TO ADDON FAUCET IF USED



ADDON FAUCETS

BRASS LEVER HANDLES	DESCRIPTION
2901	ADDON FAUCET W/ 4" RISER W/ 6" SPOUT
2901-12	ADDON FAUCET W/ 4" RISER W/ 12" SPOUT
2901-0000	ADDON FAUCET W/ 4" RISER LESS SPOUT

*REQUIRES 3/8" FEMALE OUTLET CONTROL VALVES



POT FILLER HOSE UNIT SUB-ASSEMBLYS WITH SWIVEL ELBOW

BRASS	DESCRIPTION
75573	POT FILLER HOSE UNIT SUB-ASSEMBLY WITH SWIVEL ELBOW & 60" HOSE
75574	POT FILLER HOSE UNIT SUB-ASSEMBLY WITH SWIVEL ELBOW & 96" HOSE

*INCLUDES SWIVEL ADAPTER FOR MOUNTING TO ADDON FAUCET IF USED



GLASS FILLER HOSE UNIT SUB-ASSEMBLYS WITH SWIVEL ELBOW

BRASS	DESCRIPTION
75575	GLASS FILLER HOSE UNIT SUB-ASSEMBLY WITH SWIVEL ELBOW & 60" HOSE
75576	GLASS FILLER HOSE UNIT SUB-ASSEMBLY WITH SWIVEL ELBOW & 96" HOSE

*INCLUDES SWIVEL ADAPTER FOR MOUNTING TO ADDON FAUCET IF USED



UTILITY SPRAY HOSE UNIT SUB-ASSEMBLYS WITH SWIVEL ELBOW VACUUM BREAKER

BRASS	DESCRIPTION
75580	UTILITY SPRAY HOSE UNIT SUB-ASSEMBLY WITH SWIVEL ELBOW & 60" HOSE
75581	UTILITY SPRAY HOSE UNIT SUB-ASSEMBLY WITH SWIVEL ELBOW & 96" HOSE

*INCLUDES SWIVEL ADAPTER FOR MOUNTING TO ADDON FAUCET IF USED



1/2" SWING SPOUTS FOR ADDON FAUCET

BRASS	DESCRIPTION
3960	6" SWING SPOUT
3961	8" SWING SPOUT
3962	10" SWING SPOUT
3963	12" SWING SPOUT
3964	14" SWING SPOUT
3967	16" SWING SPOUT

THIS PAGE INTENTIONALLY BLANK

REEL RINSE UNITS

Fisher reel rinse units make water conveniently available in all areas of the kitchen. Universally designed models are available for ceiling and wall mounts, as well as under counter models for added convenience. All reel rinse units are ready to install and feature 3-ply, 200 lbs. working pressure hoses. The hoses are designed to withstand a continuous operating temperature of 140°F. Installation has been simplified with Fisher's uniquely designed reel rinse control unit which combines all the necessary components into one complete system. Control valves and gauges are completely enclosed within a stainless steel cabinet with only three connections — giving the operator total tamper resistant control. Fisher now offers a 2 year warranty on Hose Reels.

NOTE: In all cases, we suggest that local plumbing codes be followed, especially in the area of cross-flow and backflow prevention.

CHECK OUT THESE HOSE REEL FEATURES:

CAFE STYLE

Cafe style is available open or closed style. Powder coated steel construction and stainless steel. Powder coated steel provides long lasting durability for maximum corrosion resistance. The Stainless Steel quality finish and corrosion resistant components offer the maximum protection from premature corrosion. It's highly durable and corrosion resistant. Reel rinse styles with ratchet lock and easy tension adjustment. Furnished with $\frac{3}{8}$ " ID hose rated at 200 PSI, and 160°F water temperature. Water inlet is $\frac{3}{8}$ " Male NPT.

INDUSTRIAL DUTY STYLE

Industrial Duty Style available open or closed style. All Stainless Steel construction, with ratchet lock and easy tension adjustment. Furnished with $\frac{1}{2}$ " or $\frac{3}{8}$ " ID hose rated at 200 PSI, and 160°F water temperature. Water inlet is $\frac{1}{2}$ " Female NPT.



Fisher's Reel Rinse Control Unit



OPEN POWDER COATED STEEL REEL

ITEM	DESCRIPTION
29801	WALL MOUNT OPEN REEL W/ 30' HOSE & PRO SPRAY VALVE - WHITE ENAMEL PAINT

ENCLOSED POWDER COATED STEEL REELS

ITEM	DESCRIPTION
29851	WALL MOUNT ENCLOSED REEL W/ 30' HOSE & PRO SPRAY VALVE - WHITE ENAMEL PAINT COVER PRO
32027	CEILING MOUNT ENCLOSED REEL W/ 30' HOSE & PRO SPRAY VALVE - WHITE ENAMEL PAINT COVER

OPEN STAINLESS STEEL REELS

ITEM	DESCRIPTION
75395	WALL MOUNT OPEN REEL W/ 50' HOSE & SPRAY VALVE - STAINLESS STEEL CONSTRUCTION
ACCESSORIES	
75199	SWING WALL BRACKET FOR OPEN STAINLESS STEEL CONSTRUCTED HOSE REELS
75200	PIVOT FLOOR BRACKET FOR OPEN STAINLESS STEEL CONSTRUCTED HOSE REELS

OPEN STAINLESS STEEL REEL

ITEM	DESCRIPTION
75397	WALL MOUNT OPEN REEL W/ 50' HOSE & SPRAY GUN - STAINLESS STEEL CONSTRUCTION
ACCESSORIES	
75199	SWING WALL BRACKET FOR OPEN STAINLESS STEEL CONSTRUCTED HOSE REELS
75200	PIVOT FLOOR BRACKET FOR OPEN STAINLESS STEEL CONSTRUCTED HOSE REELS



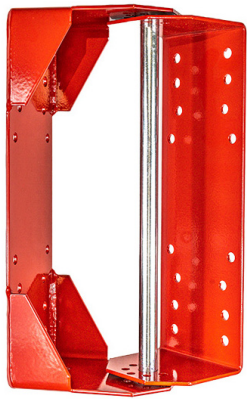
UNDER COUNTER OPEN POWDER COATED STEEL REEL

ITEM	DESCRIPTION
29841	UNDER COUNTER MOUNT OPEN REEL W/ 20' HOSE AND UTILITY SPRAY - WHITE ENAMEL PAINT 12" SPOOL



ENCLOSED REELS

ITEM	DESCRIPTION
75221	WALL MOUNT ENCLOSED REEL W/ 30' HOSE & SPRAY VALVE - STAINLESS STEEL COVER
75222	CEILING MOUNT ENCLOSED REEL W/ 30' HOSE & SPRAY VALVE - STAINLESS STEEL COVER



HOSE REEL SWING WALL BRACKETS

ITEM	DESCRIPTION
75199	SWING WALL BRACKET FOR OPEN STAINLESS STEEL CONSTRUCTED HOSE REELS



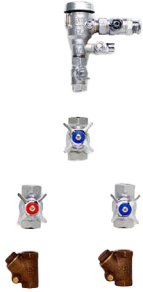
HOSE REEL PIVOT FLOOR BRACKETS

ITEM	DESCRIPTION
75200	PIVOT FLOOR BRACKET FOR OPEN STAINLESS STEEL CONSTRUCTED HOSE REELS



REEL RINSE CONTROL UNIT

BRASS	DESCRIPTION
1801	REEL RINSE CONTROL UNIT



REEL RINSE EXPOSED PIPING INSTALLATION KIT

BRASS	DESCRIPTION
29475	REEL RINSE EXPOSED PIPING INSTALLATION KIT



REEL RINSE CONCEALED PIPING INSTALLATION KIT

BRASS	DESCRIPTION
28266	REEL RINSE CONCEALED PIPING INSTALLATION KIT



WALL MOUNTED REEL RINSE UNIT INSTALLATION KIT

BRASS	DESCRIPTION
28231	WALL MOUNTED REEL RINSE UNIT INSTALLATION KIT



1/2" ANTI-SPILL VACUUM BREAKER

BRASS	DESCRIPTION
14443	1/2" ANTI-SPILL VACUUM BREAKER



1/2" WALL MOUNT ANTI-SPILL VACUUM BREAKER

BRASS	DESCRIPTION
14540	1/2" WALL MOUNT ANTI-SPILL VACUUM BREAKER



ATMOSPHERIC VACUUM BREAKERS

BRASS	DESCRIPTION
2932-8000	ATMOSPHERIC VACUUM BREAKERS 1/4" FEMALE INLET X 1/4" FEMALE OUTLET
2932-8002	ATMOSPHERIC VACUUM BREAKERS 3/8" FEMALE INLET X 3/8" FEMALE OUTLET
75117	ATMOSPHERIC VACUUM BREAKERS 1/2" FEMALE INLET X 1/2" FEMALE OUTLET
2935-8000	ATMOSPHERIC VACUUM BREAKERS 3/4" FEMALE INLET X 3/4" FEMALE OUTLET



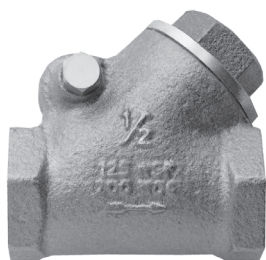
1/2" EXPOSED STOPS

BRASS	DESCRIPTION
2933	1/2" EXPOSED STOP W/ SWIVEL STEM
17639	1/2" EXPOSED STOP W/ CHECK STEM



1/2" CONCEALED STOP

BRASS	DESCRIPTION
13676	1/2" CONCEALED STOP W/ SWIVEL STEM

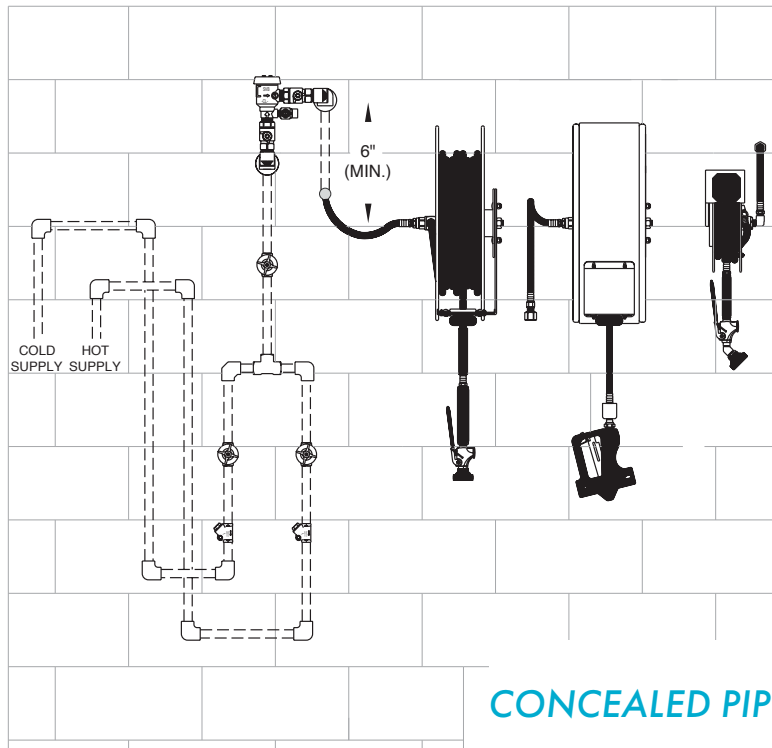


1/2" CHECK VALVE

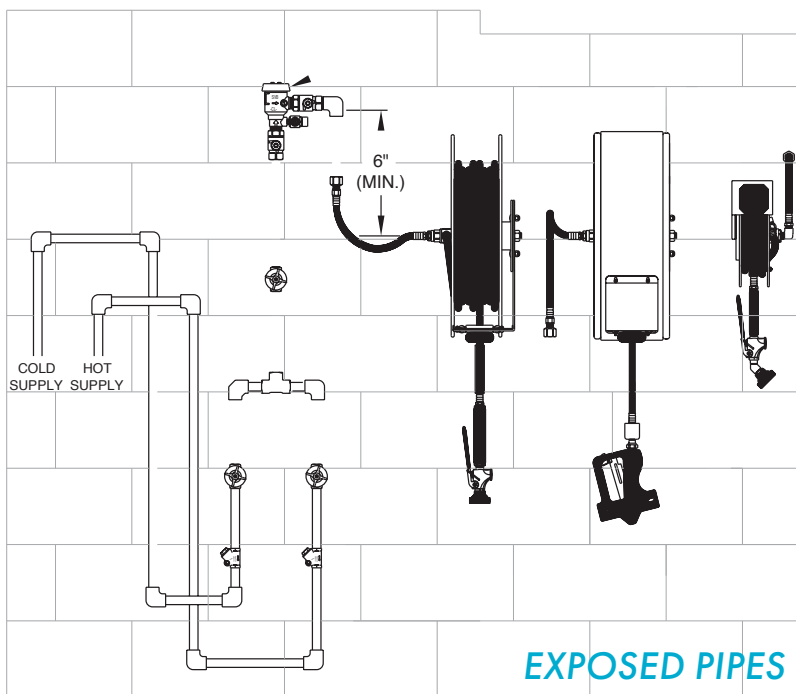
BRASS	DESCRIPTION
2936-9000	1/2" CHECK VALVES

THIS PAGE INTENTIONALLY BLANK

CONCEALED MOUNTING



EXPOSED MOUNTING



* PIPES ARE NOT SUPPLIED BY FISHER MFG CO.

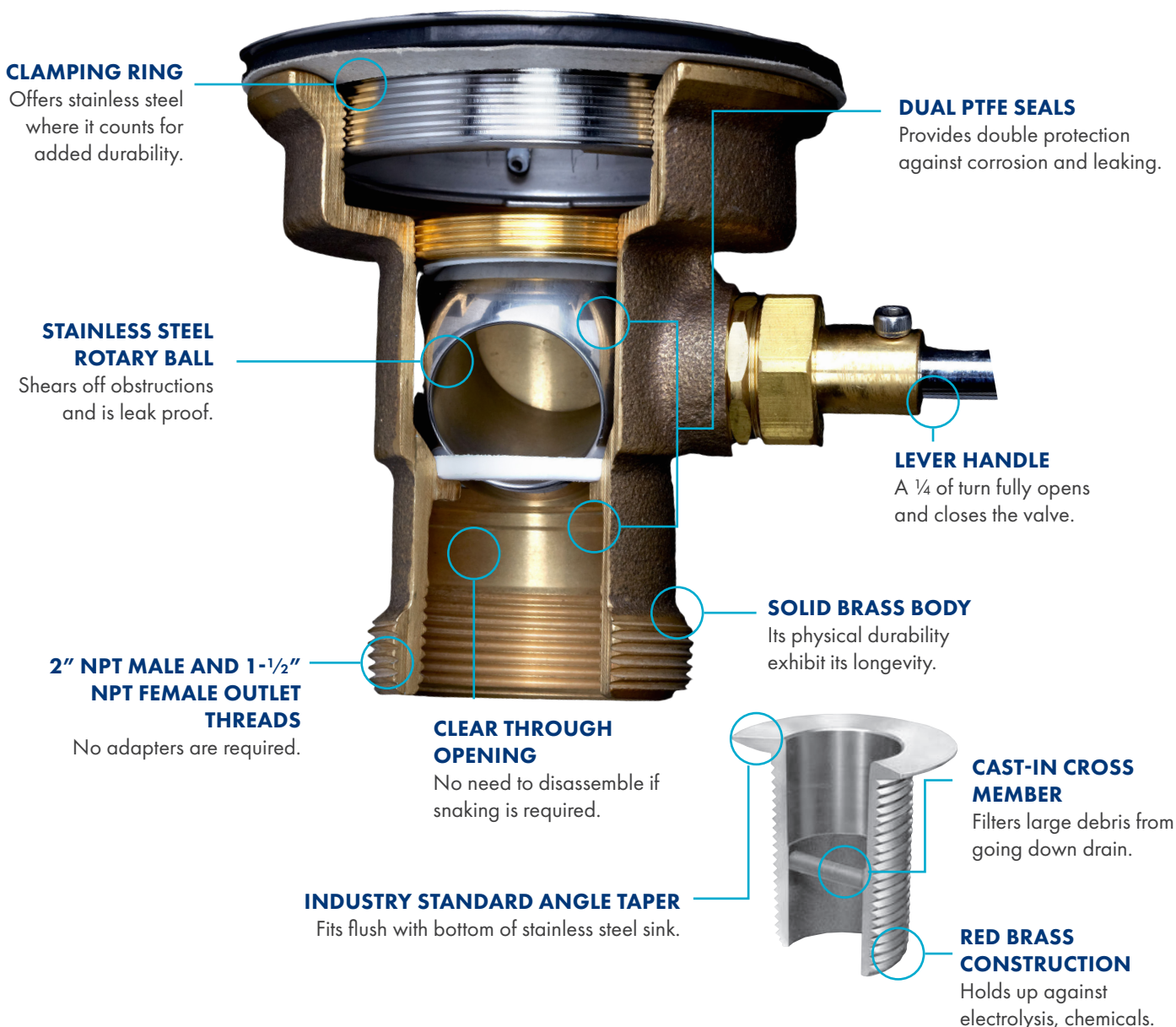
THIS PAGE INTENTIONALLY BLANK

DRINKING™

The next generation of Rotary Waste Valves is here the Drinking™ by Fisher! The Drinking™ features a revolutionary design engineered to withstand the harsh conditions and chemicals found in today's food services operations. The Drinking's value approach to this increasing problem places durable stainless steel only where its needed to ensure the durability that Fisher products are known for. Over the years Fisher Waste Valves have acquired an outstanding reputation as the forerunner in quality and we know the Drinking™ will be no exception!

*Our Drinking has a 99 year warranty and 1 year warranty on lever handle.

CHECK OUT THE THESE DRINKING™ FEATURES:





DRAINING W/ FLAT STRAINERS & LEVER HANDLE

ITEM	DESCRIPTION
22209	DRAINING W/ FLAT STRAINER - BRASS FINISH
28932	DRAINING W/ FLAT STRAINER - CHROME FINISH
ACCESSORIES	
23590	DRAINING FLAT STRAINERS VANDAL RESISTANT KIT
73470	DRAINING VANDAL RESISTANT KNOB (INCLUDES SCREW)
6129	2" X 6" LONG TAILPIECE CHROME - FITS DRAININGS AND 2" WASTE SOCKETS



DRAINING W/ FLAT STRAINERS, OVERFLOW ASSEMBLY & LEVER HANDLE

ITEM	DESCRIPTION
22306	DRAINING W/ FLAT STRAINER & 19" X 21" OVERFLOW TUBE & ELBOW - BRASS FINISH
28940	DRAINING W/ FLAT STRAINER & 19" X 21" OVERFLOW TUBE & ELBOW - CHROME FINISH
22322	DRAINING W/ FLAT STRAINER & 14" X 16" OVERFLOW TUBE & ELBOW - BRASS FINISH
28967	DRAINING W/ FLAT STRAINER & 14" X 16" OVERFLOW TUBE & ELBOW - CHROME FINISH
22438	DRAINING W/ FLAT STRAINER WITHOUT OVERFLOW TUBE & ELBOW - BRASS FINISH
29033	DRAINING W/ FLAT STRAINER W/OUT OVERFLOW TUBE & ELBOW - CHROME FINISH
ACCESSORIES	
23590	DRAINING FLAT STRAINERS VANDAL RESISTANT KIT
73470	DRAINING VANDAL RESISTANT KNOB (INCLUDES SCREW)
6129	2" X 6" LONG TAILPIECE CHROME - FITS DRAININGS AND 2" WASTE SOCKETS



DRAINING W/ LOCKING BASKET STRAINERS & LEVER HANDLE

ITEM	DESCRIPTION
22349	DRAINING W/ LOCKING BASKET STRAINER - BRASS FINISH
28983	DRAINING W/ LOCKING BASKET STRAINER - CHROME FINISH
ACCESSORIES	
73470	DRAINING VANDAL RESISTANT KNOB (INCLUDES SCREW)
6129	2" X 6" LONG TAILPIECE CHROME - FITS DRAININGS AND 2" WASTE SOCKETS



DRAINING W/ LOCKING BASKET STRAINERS, OVERFLOW ASSEMBLY & LEVER HANDLE

ITEM	DESCRIPTION
22314	DRAINING W/ LOCKING BASKET STRAINER & 19" X 21" OVERFLOW TUBE & ELBOW - BRASS FINISH
28959	DRAINING W/ LOCKING BASKET STRAINER & 19" X 21" OVERFLOW TUBE & ELBOW - CHROME FINISH
22330	DRAINING W/ LOCKING BASKET STRAINER & 14" X 16" OVERFLOW TUBE & ELBOW - BRASS FINISH
28975	DRAINING W/ LOCKING BASKET STRAINER & 14" X 16" OVERFLOW TUBE & ELBOW - CHROME FINISH
22411	DRAINING W/ LOCKING BASKET STRAINER WITHOUT OVERFLOW TUBE & ELBOW - BRASS FINISH
29025	DRAINING W/ LOCKING BASKET STRAINER WITHOUT OVERFLOW TUBE & ELBOW - CHROME FINISH
ACCESSORIES	
73470	DRAINING VANDAL RESISTANT KNOB (INCLUDES SCREW)
6129	2" X 6" LONG TAILPIECE CHROME - FITS DRAININGS AND 2" WASTE SOCKETS



SINK DRAIN ASSEMBLY

ITEM	DESCRIPTION
6556	1 1/2" CAST BRASS SINK DRAIN ASSEMBLY W/ BASKET STRAINER
30376	1 1/2" STAINLESS STAMPED SINK DRAIN ASSEMBLY W/ BASKET STRAINER



3/4" WASTE SOCKETS

ITEM	DESCRIPTION
6642-2100	3/4" X 1 3/4" LONG WASTE SOCKET - BRASS
10448	3/4" X 1 3/4" LONG WASTE SOCKET - BRASS CHROME FINISH
ACCESSORIES	
6651-9000	3/4" LOCKNUT - BRASS
1400-5000	3/4" GASKET - NEOPRENE
6673-4300	FITS 3/4" WASTE SOCKETS X 3 1/4" TALL - BRASS CHROME FINISH



1" WASTE SOCKETS

ITEM	DESCRIPTION
6240-2100	1" X 2" LONG WASTE SOCKET - BRASS
6440-2100	1" X 4" LONG WASTE SOCKET - BRASS
84085	1" X 2" LONG WASTE SOCKET, LOCKNUT & GASKET - BRASS
84093	1" X 4" LONG WASTE SOCKET, LOCKNUT & GASKET - BRASS
6241-2400	1" X 2" LONG WASTE SOCKET - BRASS CHROME FINISH
6441-2400	1" X 4" LONG WASTE SOCKET - BRASS CHROME FINISH
ACCESSORIES	
6250-2100	1" LOCKNUT - BRASS
6280-5000	1" GASKET - NEOPRENE



1 1/2" WASTE SOCKETS

ITEM	DESCRIPTION
6540-2100	1 1/2" X 1 1/2" LONG WASTE SOCKET - BRASS
6541-2400	1 1/2" X 1 1/2" LONG WASTE SOCKET - BRASS CHROME FINISH
ACCESSORIES	
6550-2100	1 1/2" LOCKNUT - BRASS
6580-5000	1 1/2" GASKET - FIBER
6544-0000	1 1/2" X 4" LONG TAILPIECE BRASS CHROME FINISH - FITS DRAINS AND 1 1/2" WASTE SOCKETS



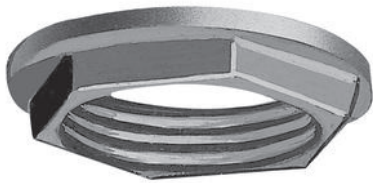
DRAINING FLAT STRAINERS VANDAL RESISTANT KIT

ITEM	DESCRIPTION
23590	DRAINING FLAT STRAINERS VANDAL RESISTANT KIT



DRAINING VANDAL RESISTANT KNOB

ITEM	DESCRIPTION
73470	DRAINING VANDAL RESISTANT KNOB (INCLUDES SCREW)



LOCKNUT

ITEM	DESCRIPTION
6651-9000	¾" LOCKNUT BRASS
6250-2100	1" LOCKNUT BRASS
6550-2100	1-½" LOCKNUT BRASS
6750-9000	2" LOCKNUT BRASS



GASKETS

ITEM	DESCRIPTION
1400-5000	¾" GASKET - NEOPRENE
6280-5000	1" GASKET - NEOPRENE
6580-5000	1 ½" GASKET - FIBER



TAILPIECE

STAINLESS	DESCRIPTION
6544-0000	1 ½" X 4" LONG TAILPIECE CHROME - FITS DRAINS AND 1 ½" WASTE SOCKETS
6129	2" X 6" LONG TAILPIECE CHROME - FITS DRAININGS AND 2" WASTE SOCKETS



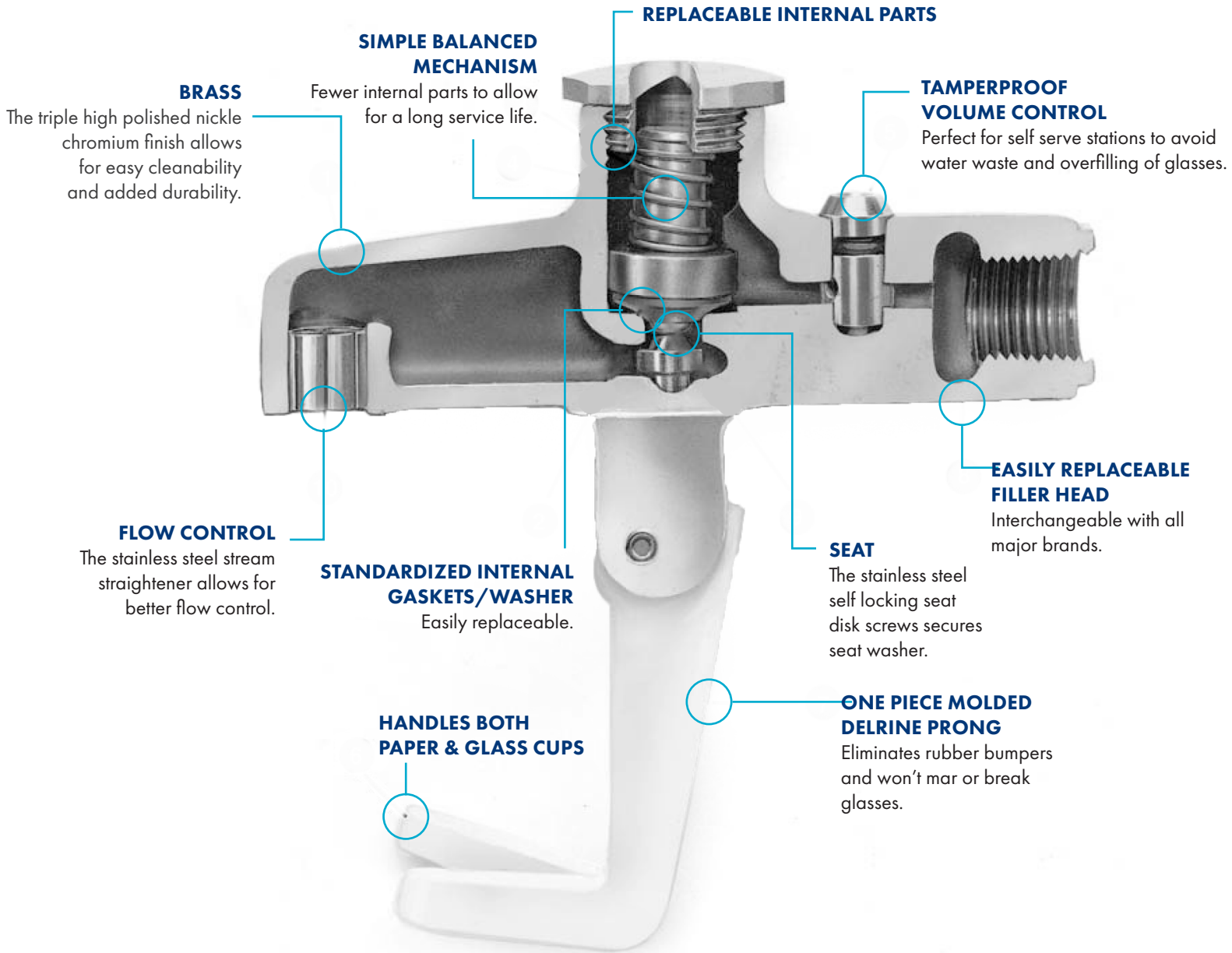
STANDPIPE

STAINLESS	DESCRIPTION
6673-4300	FITS ¾" WASTE SOCKETS X 3¼" TALL - BRASS CHROME FINISH

GLASS FILLER - BRASS

Fisher glass fillers feature great looks with a simplistic design and high quality construction for a long service life. They are available in your choice of models to meet virtually any water service installation and need. They are ideal for restaurants, schools, healthcare facilities, grocery/retail facilities, hospitality facilities, and convenience stores. Fisher now has a 4 year warranty on brass.

CHECK OUT THESE GLASS FILLER FEATURES:



**ANSI/NSF 61,
SECTION 9 CERTIFIED**



PEDESTAL GLASS FILLER

BRASS	DESCRIPTION
1007	8" PEDESTAL GLASS FILLER
1008	10" PEDESTAL GLASS FILLER
12513	12" PEDESTAL GLASS FILLER
12726	14" PEDESTAL GLASS FILLER

PEDESTAL GLASS FILLER W/ SINK

BRASS	DESCRIPTION
1400	10" PEDESTAL GLASS FILLER W/ SINK
89494	12" PEDESTAL GLASS FILLER W/ SINK
83895	14" PEDESTAL GLASS FILLER W/ SINK

PEDESTAL GLASS FILLER W/ ADD-ON FAUCET & 6" SPOUT

BRASS	DESCRIPTION
1009	8" PEDESTAL GLASS FILLER W/ 6" SWING SPOUT

ICE MACHINE GLASS FILLER

BRASS	DESCRIPTION
9033	GLASS FILLER ¼" FEMALE X ½" MALE W/ ¼" TUBE FITTING

SPRING STYLE GLASS RACK GLASS FILLER

BRASS LEVER HANDLE	DESCRIPTION
1117-WB	SINGLE DECK
ACCESSORIES	
10022	SUPPLY LINE ½ F X ½ F X 36" LONG
2976	VANDAL RESISTANT KIT

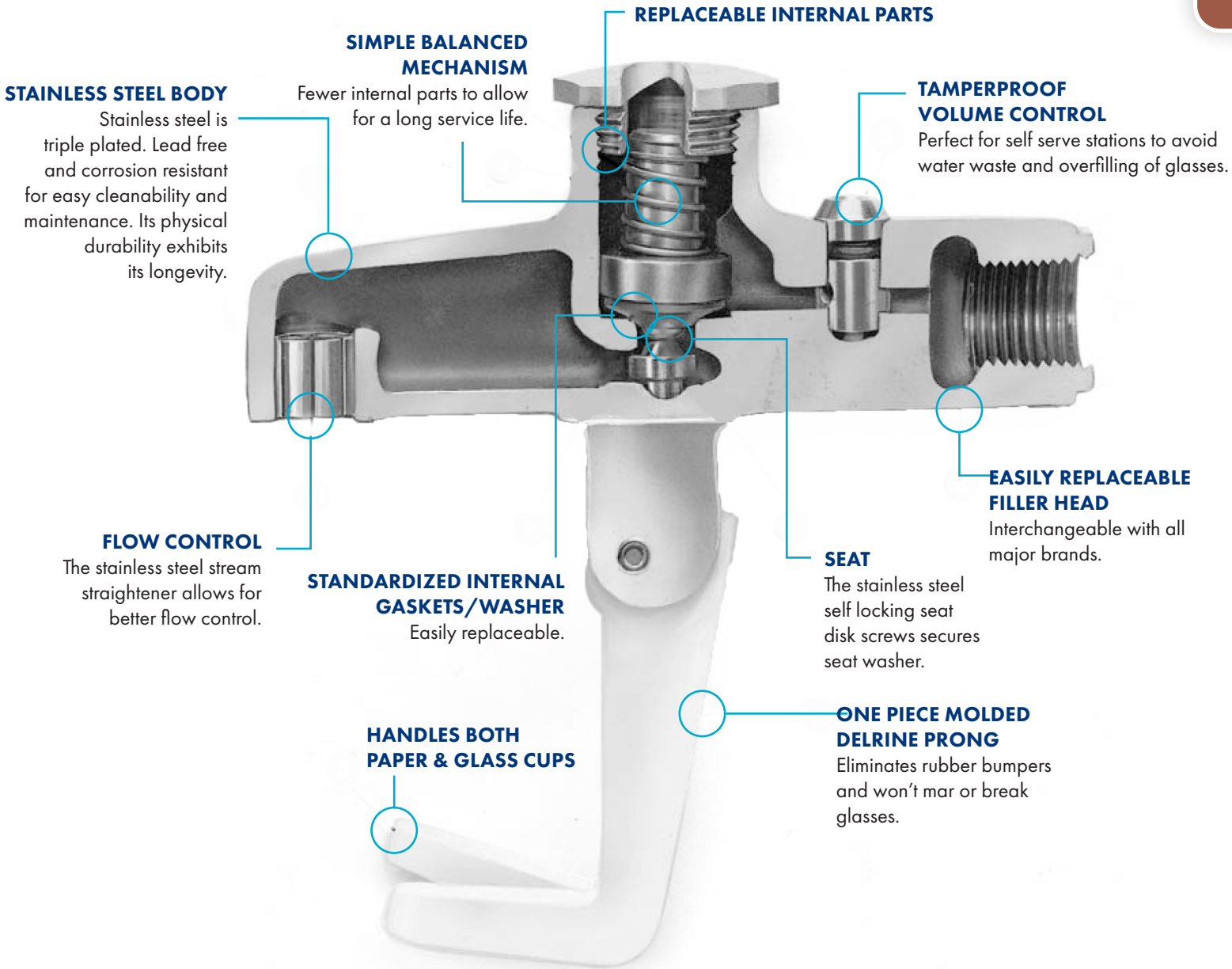
GLASS FILLER REPAIR KIT

BRASS	DESCRIPTION
11347	GLASS FILLER REPAIR KIT

GLASS FILLER - STAINLESS STEEL

Fisher glass fillers feature great looks with a simplistic design and high quality construction for a long service life. They are available in your choice of models to meet virtually any water service installation and need. They are ideal for restaurants, schools, healthcare facilities, grocery/retail facilities, hospitality facilities, and convenience stores. Fisher now has a 10 year warranty on stainless steel.

CHECK OUT THESE GLASS FILLER FEATURES:



**ANSI/NSF 61,
SECTION 9 CERTIFIED**



PEDESTAL GLASS FILLER

STAINLESS	DESCRIPTION
54194	8" PEDESTAL GLASS FILLER
54186	10" PEDESTAL GLASS FILLER
59099	12" PEDESTAL GLASS FILLER
59102	14" PEDESTAL GLASS FILLER



PEDESTAL GLASS FILLER W/ SINK

STAINLESS	DESCRIPTION
54208	10" PEDESTAL GLASS FILLER W/ SINK
59110	12" PEDESTAL GLASS FILLER W/ SINK
59129	14" PEDESTAL GLASS FILLER W/ SINK



PEDESTAL GLASS FILLER W/ ADD-ON FAUCET & 6" SPOUT

STAINLESS	DESCRIPTION
40959	8" PEDESTAL GLASS FILLER W/ 6" SWING SPOUT



ICE MACHINE GLASS FILLER

STAINLESS	DESCRIPTION
54224	GLASS FILLER 1/4" FEMALE X 1/2" MALE W/ 1/4" TUBE FITTING



GLASS FILLER REPAIR KIT

STAINLESS	DESCRIPTION
71412	GLASS FILLER REPAIR KIT

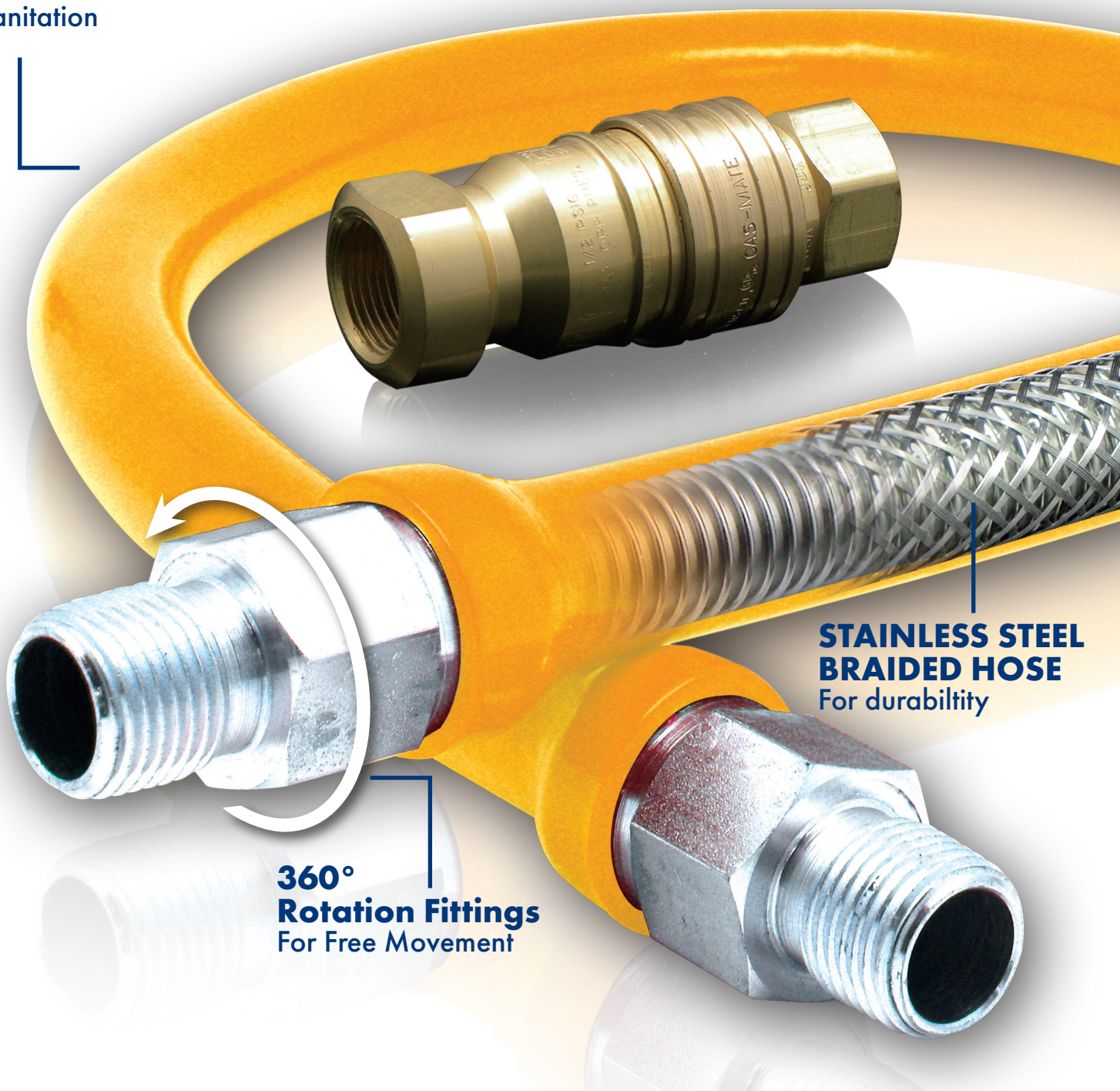
GAS HOSES

Fisher's gas hoses are high quality and are designed to provide reliable and safe gas connections in a variety of settings to meet all your commercial plumbing needs. Ideal for restaurants, hospitals, schools, hotels, grocery/retail. Fisher has a 10 year warranty .

CHECK OUT THESE GAS HOSE FEATURES:

PVC COATED

For sanitation



**STAINLESS STEEL
BRAIDED HOSE**
For durability

**360°
Rotation Fittings**
For Free Movement

GAS HOSES



GAS HOSES

PART	DESCRIPTION
75498	1/2" x 48" ACCESSORIES INCLUDED
75497	3/4" x 36" ACCESSORIES INCLUDED
75496	3/4" x 48" ACCESSORIES INCLUDED
75499	1" x 48" ACCESSORIES INCLUDED

THIS PAGE INTENTIONALLY BLANK



8" BACKSPLASH CONTROL VALVE

BRASS LEVER HANDLES	DESCRIPTION
13153	SWIVEL OUTLET / SWIVEL STEMS
13161	SWIVEL OUTLET / CHECK STEMS
13188	3/8" FEMALE OUTLET / SWIVEL STEMS
13196	3/8" FEMALE OUTLET / CHECK STEMS



8" DECK CONTROL VALVE

BRASS LEVER HANDLES	DESCRIPTION
3300	SWIVEL OUTLET / SWIVEL STEMS
3300-CV	SWIVEL OUTLET / CHECK STEMS
2300	3/8" FEMALE OUTLET / SWIVEL STEMS
2300-CV	3/8" FEMALE OUTLET / CHECK STEMS



8" ADJ. WALL CONTROL VALVE

BRASS LEVER HANDLES	DESCRIPTION
3200	SWIVEL OUTLET / SWIVEL STEMS
3200-CV	SWIVEL OUTLET / CHECK STEMS
2200	3/8" FEMALE OUTLET / SWIVEL STEMS
2200-CV	3/8" FEMALE OUTLET / CHECK STEMS



4" BACKSPLASH CONTROL VALVE

BRASS LEVER HANDLES	DESCRIPTION
3600	SWIVEL OUTLET / SWIVEL STEMS
3600-CV	SWIVEL OUTLET / CHECK STEMS
2600	3/8" FEMALE OUTLET / SWIVEL STEMS
2600-CV	3/8" FEMALE OUTLET / CHECK STEMS



4" DECK CONTROL VALVE

BRASS LEVER HANDLES	DESCRIPTION
3500	SWIVEL OUTLET / SWIVEL STEMS
3500-CV	SWIVEL OUTLET / CHECK STEMS
2500	3/8" FEMALE OUTLET / SWIVEL STEMS
2500-CV	3/8" FEMALE OUTLET / CHECK STEMS



DUAL DECK CONTROL VALVE

BRASS LEVER HANDLES	DESCRIPTION
13064	SWIVEL OUTLET / SWIVEL STEMS
13072	SWIVEL OUTLET / CHECK STEMS
10529	3/8" FEMALE OUTLET / SWIVEL STEMS
13080	3/8" FEMALE OUTLET / CHECK STEMS



SINGLE WALL / BACKSPALSH CONTROL VALVE

BRASS LEVER HANDLES	DESCRIPTION
3700	SWIVEL OUTLET / SWIVEL STEMS
2700	3/8" FEMALE OUTLET / SWIVEL STEMS

*INCLUDES NIPPLE FOR BACKSPALSH MOUNTING



SINGLE DECK CONTROL VALVE

BRASS LEVER HANDLES	DESCRIPTION
12815	SWIVEL OUTLET / SWIVEL STEMS
12890	3/8" FEMALE OUTLET / SWIVEL STEMS



CHINESE RANGE CONTROL VALVE

BRASS LEVER HANDLES	DESCRIPTION
4750-0000	SWIVEL OUTLET / SWIVEL STEMS



SINGLE BACKSPALSH BASE

BRASS LEVER HANDLES	DESCRIPTION
3900	SWIVEL OUTLET
3900-0002	3/8" FEMALE OUTLET



SINGLE DECK BASE

BRASS LEVER HANDLES	DESCRIPTION
3800	SWIVEL OUTLET
2903	3/8" FEMALE OUTLET



8" BACKSPLASH CONTROL VALVE

STAINLESS LEVER HANDLES	DESCRIPTION
61549	SWIVEL OUTLET / SWIVEL STEMS
61662	3/8" FEMALE OUTLET / CHECK STEMS



8" DECK CONTROL VALVE

STAINLESS LEVER HANDLES	DESCRIPTION
67385	SWIVEL OUTLET / SWIVEL STEMS
67407	3/8" FEMALE OUTLET / CHECK STEMS



8" ADJ. WALL CONTROL VALVE

STAINLESS LEVER HANDLES	DESCRIPTION
61565	SWIVEL OUTLET / SWIVEL STEMS
23698	SWIVEL OUTLET / CHECK STEMS
61689	3/8" FEMALE OUTLET / CHECK STEMS



4" BACKSPLASH CONTROL VALVE

STAINLESS LEVER HANDLES	DESCRIPTION
62839	SWIVEL OUTLET / SWIVEL STEMS
62936	3/8" FEMALE OUTLET / CHECK STEMS



4" DECK CONTROL VALVE

STAINLESS LEVER HANDLES	DESCRIPTION
67423	SWIVEL OUTLET / SWIVEL STEMS
67458	3/8" FEMALE OUTLET / CHECK STEMS



DUAL DECK CONTROL VALVE

STAINLESS LEVER HANDLES	DESCRIPTION
63592	SWIVEL OUTLET / SWIVEL STEMS
63134	3/8" FEMALE OUTLET / CHECK STEMS



SINGLE WALL / BACKSPLASH CONTROL VALVE

STAINLESS LEVER HANDLES	DESCRIPTION
70459	SWIVEL OUTLET / SWIVEL STEMS
70432	3/8" FEMALE OUTLET / SWIVEL STEMS

*INCLUDES NIPPLE FOR BACKSPLASH MOUNTING



SINGLE DECK CONTROL VALVE

STAINLESS LEVER HANDLES	DESCRIPTION
66575	SWIVEL OUTLET / SWIVEL STEMS
66591	3/8" FEMALE OUTLET / SWIVEL STEMS



SINGLE BACKSPLASH BASE

STAINLESS LEVER HANDLES	DESCRIPTION
3900	SWIVEL OUTLET
3900-0002	3/8" FEMALE OUTLET



SINGLE DECK BASE

STAINLESS LEVER HANDLES	DESCRIPTION
3800	SWIVEL OUTLET
2903	3/8" FEMALE OUTLET



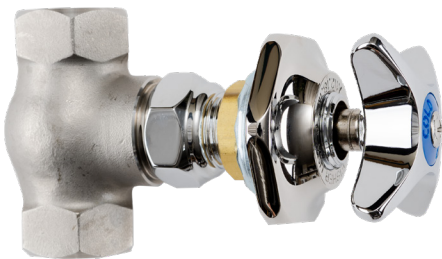
4" REMOTE CONTROL VALVE

BRASS LEVER HANDLES	DESCRIPTION
2805	4" REMOTE CONTROL VALVE W/ SWIVEL STEMS
2805-CV	4" REMOTE CONTROL VALVE W/ CHECK STEMS



1/2" EXPOSED STOPS

BRASS CROSS HANDLES	DESCRIPTION
2933	1/2" EXPOSED STOP W/ SWIVEL STEM
17639	1/2" EXPOSED STOP W/ CHECK STEM



1/2" CONCEALED STOP

BRASS CROSS HANDLES	DESCRIPTION
13676	1/2" CONCEALED STOP W/ SWIVEL STEM



WALL BRACKET

ITEM	DESCRIPTION
2902-12	WALL BRACKET



PRE-RINSE & FOODGRADE HOSES

PRE-RINSE	FOODGRADE	DESCRIPTION
2916-1512	12297	15" HOSE
12130	12319	21" HOSE
2916-1512	12327	25-½" HOSE
12157	12343	30" HOSE
2914	2914-FG	36" HOSE
12165	12351	42" HOSE
12173	12378	48" HOSE
2915	2915-FG	60" HOSE
12203	12394	72" HOSE
12211	12408	84" HOSE
12238	12416	96" HOSE
12254	12432	120" HOSE



REPLACEMENT PRE-RINSE HOSES

BRASS	DESCRIPTION
2918	36" LENGTH HOSE, HANDLE & ADAPTER OVERALL LENGTH 44" (FITS FISHER & T&S)
2918-68	60" LENGTH HOSE, HANDLE & ADAPTER OVERALL LENGTH 68" (FITS FISHER & T&S)



REPLACEMENT PRE-RINSE HOSE W/ ULTRA SPRAY VALVE

BRASS	DESCRIPTION
2911	36" HOSE, HANDLE & ULTRA SPRAY VALVE (FITS FISHER ONLY)



GOOSENECK SPRING

BRASS	STAINLESS STEEL	DESCRIPTION
2924-6000	74661	GOOSENECK SPRING
73677	N/A	MINI GOOSENECK SPRING



ADD ON FAUCETS FOR PRE-RINSE UNITS

BRASS LEVER HANDLES	DESCRIPTION
2901-0000	ADDON FAUCET W/ 4" RISER LESS SPOUT
2901	ADDON FAUCET W/ 4" RISER W/ 6" SPOUT
2901-12	ADDON FAUCET W/ 4" RISER W/ 12" SPOUT



3/4" ADDON FAUCETS FOR PRE-RINSE UNITS

BRASS CROSS HANDLES	DESCRIPTION
21482	ADDON FAUCET W/ 4" RISER LESS SPOUT



RISERS FOR PRE-RINSE UNITS

BRASS	DESCRIPTION
72747	2" RISER
72748	4" RISER
2927-4302	12" RISER
2927-4303	16" RISER
2927-4300	21" RISER
72749	25" RISER
72750	31" RISER



PRE-RINSE AND REEL RINSE INSULATED HANDLES

BRASS	DESCRIPTION
2913	PRE-RINSE INSULATED HANDLES 3/4"-14 FEMALE X 3/4"-14 FEMALE
2913-38	REEL RINSE INSULATED HANDLE 3/4"-14 FEMALE X 3/8" NPT FEMALE



HOSE HOOK FOR SPRING PRE-RINSE UNITS

BRASS	DESCRIPTION
2925-6300	HOSE HOOK FOR SPRING PRE-RINSE UNITS



HOSE TO PIPE ADAPTER FOR SPRING PRE-RINSE UNITS

BRASS	DESCRIPTION
2926-3300	HOSE TO PIPE ADAPTER FOR SPRING PRE-RINSE UNITS



CHEMICAL TEE HOSE TO PIPE ADAPTER FOR SPRING PRE-RINSE UNITS

BRASS	DESCRIPTION
72813	HOSE TO PIPE ADAPTER FOR SPRING PRE-RINSE UNITS (FITTS FISHER & T&S)



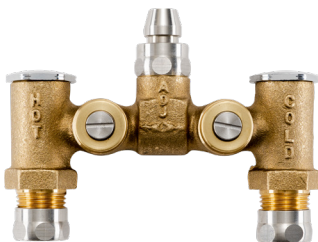
SWIVEL ADAPTER FOR SWIVEL HOSE UNITS

BRASS	DESCRIPTION
2931	SWIVEL ADAPTER FOR 1/2" SWIVEL HOSE UNITS, 1/4" FEMALE OUTLET



SWIVEL VACUUM BREAKER ADAPTER FOR SWIVEL HOSE UNITS

BRASS	DESCRIPTION
2932	SWIVEL VACUUM BREAKER ADAPTER FOR 1/2" SWIVEL HOSE UNITS, 1/4" FEMALE OUTLET
10480	SWIVEL VACUUM BREAKER ADAPTER FOR 3/4" SWIVEL HOSE UNITS, 3/4" FEMALE OUTLET



TEMPERATURE CONTROL VALVE

BRASS	DESCRIPTION
2970-3	TEMPERATURE CONTROL VALVE 1/2" MALE INLETS X 1/2" FEMALE SLIP JOINT OUTLET W/ CHECK VALVES



CHEMICAL TEE FOR 1/2" FAUCETS W/ SWIVEL SPOUTS

BRASS	DESCRIPTION
73110	CHEMICAL TEE FOR 1/2" FAUCETS W/ SWIVEL SPOUTS

3/4" CONTROL SWING SPOUT

BRASS	DESCRIPTION
5071	3/4" CONTROL SWING SPOUT



WALL HOOK

ITEM	DESCRIPTION
2907	WALL HOOK



PIPE HOOK

ITEM	DESCRIPTION
2943	PIPE HOOK



3/4" SWIVEL ADAPTER VACUUM BREAKER

BRASS	DESCRIPTION
10480	3/4" SWIVEL ADAPTER FOR 3/4" POT FILLER HOSE ASSEMBLY



CROSS HANDLE KIT

ITEM	DESCRIPTION
3983	CROSS HANDLE KIT W/ HANDLE, SCREW & RED AND BLUE INDEX BUTTONS



LEVER HANDLE KIT

ITEM	DESCRIPTION
2000-0002	LEVER HANDLE KIT W/ HANDLE, SCREW & RED AND BLUE INDEX BUTTONS



WRIST HANDLE KIT

ITEM	DESCRIPTION
75626	WRIST HANDLE KIT W/ HANDLE, SCREW & RED AND BLUE INDEX BUTTONS (2 EACH)
3984	SINGLE WRIST HANDLE, SCREW, RED/BLUE BUTTON



NIPPLES FOR WALL FAUCETS

BRASS	DESCRIPTION
2200-0000	NIPPLE FOR 1/2" WALL FAUCETS 1/2" NPT MALE X 1/2" NPT MALE X 1 3/4" LONG W/ SLIP JOINT KIT
10219	NIPPLE FOR 3/4" WALL FAUCETS 3/4" NPT MALE X 3/4" NPT MALE X 1 1/4" LONG W/ SLIP JOINT KIT



ELBOWS FOR WALL FAUCETS

BRASS	DESCRIPTION
2400-2103	ELBOWS FOR 1/2" WALL FAUCETS 1/2" NPT FEMALE X 1/2" NPT FEMALE
5000-2103	ELBOWS FOR 3/4" WALL FAUCETS 3/4" NPT FEMALE X 3/4" NPT FEMALE



SUPPLY LINES

BRASS	DESCRIPTION
10022	SUPPLY LINE 1/2" FEMALE X 1/2" FEMALE X 36" LONG
10006	SUPPLY LINE 1/2" FEMALE X 1/2" MALE X 36" LONG



3/4" SWIVEL DOUBLE JOINT

BRASS	DESCRIPTION
5000-0003	10" SWIVEL DOUBLE JOINT



3/4" SPOUTS

BRASS	DESCRIPTION
5000-0001	10" SWIVEL SPOUT
5000-0002	14" SWIVEL SPOUT



VANDAL RESISTANT KIT

ITEM	DESCRIPTION
2976	VANDAL RESISTANT KIT FOR FAUCETS, PRE-RINSE UNITS & HOSE UNITS



3/4" SWIVEL DOUBLE JOINT

BRASS	STAINLESS	DESCRIPTION
5000-0003	54259	10" SWIVEL DOUBLE JOINT



1/2" SPOUT END ATTACHMENTS

BRASS	DESCRIPTION
12564	55-64"-27 FEMALE X 2.20 GPM PERALATOR
73450	55-64"-27 FEMALE X FULL FLOW NEOSTRAL
41718	55-64"-27 FEMALE X 0.35 GPM PCA SPRAY -STAINLESS STEEL
3982-9000	55-64"-27 FEMALE X GARDEN HOSE THREAD MALE
74223	55/64-24 FEMALE X 0.35 GPM PCA SPRAY SPOUT END
75588	13/16-27 MALE X 0.50 GPM PCA SPRAY SPOUT FOR LAVATORY FAUCETS
75587	13/16-27 MALE X 1.00 GPM PERALATOR AERATOR FOR LAVATORY FAUCETS



1/2" SPOUT END ATTACHMENTS

BRASS	DESCRIPTION
9041-9001	55-64"-27 FEMALE X SWIVEL COMBO 2.20 GPM PERALATOR / ROSE SPRAY



ULTRA SPRAY VALVE

BRASS	DESCRIPTION
2949	ULTRA SPRAY VALVE PLUS 1.15 GPM KNIFE EDGE SPRAY PATTERN
13641	ULTRA SPRAY VALVE 7 PLUS .70 GPM KNIFE EDGE SPRAY PATTERN



UTILITY SPRAY VALVE

BRASS	DESCRIPTION
2920	UTILITY VALVE 2.15 GPM SHOWER HEAD SPRAY PATTERN



POT FILLER VALVE

BRASS	DESCRIPTION
11061	POT FILLER VALVE FULL FLOW NEOSTRAL SPOUT END



GLASS FILLER VALVE

BRASS	DESCRIPTION
10820	GLASS FILLER VALVE



JET SPRAY VALVE

BRASS	DESCRIPTION
10863	JET VALVE PLUS 2.45 GPM SINGLE STREAM JET SPRAY PATTERN



UTILITY SPRAY VALVE W/ SHORT SQUEEZE LEVER

BRASS	DESCRIPTION
10073	UTILITY VALVE W/ SHORT SQUEEZE LEVER 2.15 GPM SHOWER HEAD SPRAY PATTERN



GLASS RACK GLASS FILLER VALVE

BRASS	DESCRIPTION
1704	GLASS FILLER VALVE W/ SHORT SQUEEZE LEVER



SPRAY HEAD W/ HANDLE

BRASS	DESCRIPTION
2948	SPRAY HEAD W/ HANDLE 1.15 FAN JET SPRAY PATTERN, 3/4"-14 FEMALE INLET



GLASS RACK GLASS FILLER VALVE

BRASS	DESCRIPTION
10812	GLASS RACK GLASS FILLER VALVE



QUICK DISCONNECT MULTI PURPOSE VALVE

BRASS	DESCRIPTION
29500	QUICK DISCONNECT MULTI PURPOSE VALVE W/ SHOWER SPRAY, FAN SPRAY, JET SPRAY & POT FILLER



SPRAY HEAD

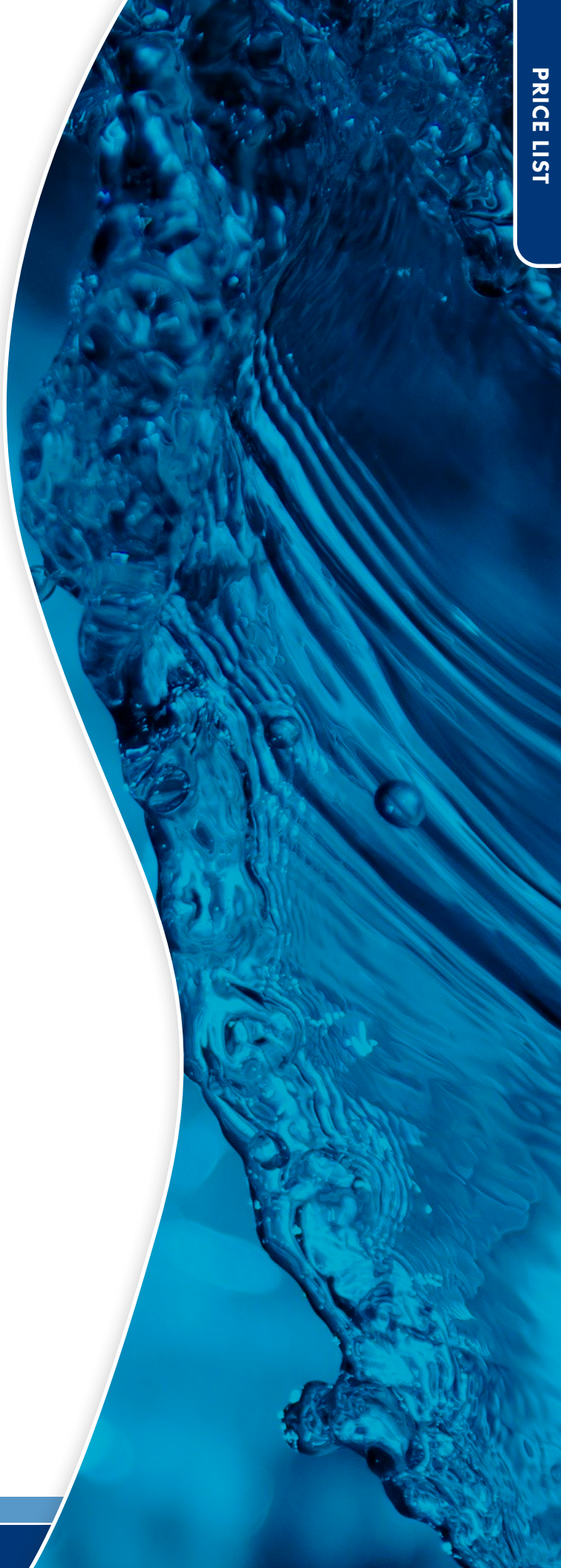
BRASS	DESCRIPTION
2923	SPRAY HEAD W/ HANDLE 2.15 GPM SHOWER HEAD SPRAY PATTERN, 3/8" NPT FEMALE INLET



SPRAY VALVE, POT FILLER VALVE, GLASS FILLER VALVE REPAIR KIT

BRASS	DESCRIPTION
11355	SPRAY VALVE, POTFILLER VALVE, GLASS FILLER VALVE REPAIR KIT

THIS PAGE INTENTIONALLY BLANK



PRICE LIST

PRICES EFFECTIVE
FEBRUARY 1, 2023

ITEM #	ITEM DESCRIPTION	PRICE
1000-0001	DISK RETAINER ASSY GF / SV BRS	\$11.00
1000-0003	LIFT PIN 303 BN ASSY	\$11.00
1000-3301	NUT BONNET STAMP NL BRS POL CR	\$24.00
1000-3416	SCREW AXLE GF BRS BN	\$8.00
1000-5001	WASHER BONNET	\$4.00
1000-5003	WASHER SEAT SOFT GF/SV	\$3.00
1000-5006	WASHER SEAT SOFT CYLINDER	\$3.00
1000-5008	O-RING PRE-RINSE FERRULE	\$3.00
10006	SUPPLY LINE 1/2F X 1/2M X 36	\$54.00
1000-6001	SPRING GLASS FILLER	\$5.00
1000-7502	SCREW MACHINE 10-24 X 1/2	\$3.00
1000-8001	INSERT CORRUGATED GF BN	\$10.00
1000-8100	PRONG GF DELRIN	\$11.00
10022	SUPPLY LINE 1/2F X 1/2F X 36	\$50.00
1007	GLASS FILLER 08PED 3/8M	\$183.00
10073	UTILITY VALVE SHORT LEVER	\$151.00
1008	GLASS FILLER 10PED 3/8M	\$189.00
1009	GLASS FILLER 08PED 06SS	\$360.00
10197	SS ULTRA SPRAY VALVE 7 PLUS	\$188.00
10200	GLASS FILLER HEAD 3/8F	\$155.00
10219	CLOSE NIPPLE 3/4	\$41.00
10448	DRAIN WS 3/4 X 1 3/4 BRS CR	\$38.00
10480	ADPTR SVL VB 3/4	\$247.00
10529	CTL VLV SDDLH RIG SV	\$226.00
10812	BANQUET FILLER VALVE	\$114.00
10820	GLASS FILLER VALVE LONG LEVER	\$151.00
10863	JET VALVE	\$111.00
11061	POT FILLER VALVE LONG LEVER	\$152.00
11150	GASKET FIBER	\$4.00
11177	NUT HEX M4 X 7MM	\$3.00
1117-WB	BANQUET SPG SDLH	\$539.00
11185	SCREW SOCKET M4 X 25MM	\$3.00
11223	OVERFLOW ELBOW DRAINING	\$67.00
11231	STRAINER FLAT SS	\$11.00
11258	STRAINER BASKET SS	\$19.00
11274	GASKET CLAMPING RING	\$5.00
11282	REPAIR KIT PRE-RINSE & FAUCET	\$151.00
11347	REPAIR KIT GLASS FILLER BRS	\$44.00
11355	REPAIR KIT SPRAY VALVE BRS	\$61.00
11775	UTILITY SPRAY SVEI 8AWLH 14SS	\$1,069.00
12122	HOSE PR 18	\$77.00
12130	HOSE PR 21	\$79.00
12157	HOSE PR 30	\$84.00
12165	HOSE PR 42	\$97.00

ITEM #	ITEM DESCRIPTION	PRICE
12173	HOSE PR 48	\$111.00
12203	HOSE PR 72	\$141.00
12211	HOSE PR 84	\$144.00
12238	HOSE PR 96	\$177.00
12254	HOSE PR 120	\$216.00
12297	HOSE FG 15	\$74.00
12319	HOSE FG 21	\$79.00
12327	HOSE FG 25 1/2	\$82.00
12343	HOSE FG 30	\$87.00
12351	HOSE FG 42	\$97.00
12378	HOSE FG 48	\$102.00
12394	HOSE FG 72	\$125.00
12408	HOSE FG 84	\$147.00
12416	HOSE FG 96	\$156.00
12432	HOSE FG 120	\$187.00
12475	ADPTR 3/8F X T&S SVLF 304 POL	\$37.00
12491	CYLINDER KIT FOOT VALVE SS	\$47.00
12513	GLASS FILLER 12PED 3/8M	\$196.00
12564	AERATOR 55/64-27F PER 2.20 GPM	\$7.00
12726	GLASS FILLER 14PED 3/8M	\$197.00
12769	COUPLING 3/8 NL BRS POL CR	\$32.00
12815	CTL VLV SDLH SVL SV	\$139.00
12890	CTL VLV SDLH RIG SV	\$127.00
13064	CTL VLV SDDLH SVL SV	\$239.00
13072	CTL VLV SDDLH SVL CK	\$237.00
13080	CTL VLV SDDLH RIG CK	\$226.00
13153	CTL VLV 8BSLH SVL SV	\$239.00
13161	CTL VLV 8BSLH SVL CK	\$254.00
13188	CTL VLV 8BSLH RIG SV	\$256.00
13196	CTL VLV 8BSLH RIG CK	\$249.00
13218	FAUCET 8BSLH 16SS	\$291.00
13234	FAUCET 8BSLH 06SS	\$276.00
13242	FAUCET 8BSLH 08SS	\$289.00
13250	FAUCET 8BSLH 10SS	\$291.00
13269	FAUCET 8BSLH 12SS	\$292.00
13277	FAUCET 8BSLH 14SS	\$294.00
13382	PRE-RINSE SPG 8BSLH INTERNATIONAL SALES ONLY	\$603.00
13390	PRE-RINSE SPG 8BSLH	\$635.00
13641	ULTRA SPRAY VALVE 7 PLUS	\$111.00
13676	STOP CONXH SV RIGHT HAND	\$185.00
13714	ADPTR 1/4F X 1/2F 304	\$25.00
13811	SCREW SHEET METAL 10 X 1 1/2 PH OVAL	\$3.00
1400	GLASS STATION 10PED	\$392.00
1400-0000	GLASS STATION SINK	\$170.00

ITEM #	ITEM DESCRIPTION	PRICE
1400-5000	GASKET WASTE SOCKET ¾	\$4.00
1400-8503	GRILL ELEVATED WIRE PD	\$51.00
14443	VACUUM BREAKER PRESSURE ANTISPILL ½	\$559.00
14540	VACUUM BREAKER PRESSURE ANTISPILL WALL ½	\$1,172.00
1465	GLASS FILLER HAS 60	\$291.00
15016	CTL VLV CHLH SVL SV	\$187.00
1600-5000	O-RING SPOUT ½	\$3.00
1600-7000	SCREW MACHINE 10-24 X 5/8 PIN IN HEX	\$6.00
1600-7001	WRENCH HEX 5/32	\$16.00
1704	GLASS FILLER VALVE SHORT LEVER	\$151.00
1731	FAUCET SDLH LAV	\$168.00
1744	FAUCET 4DLH LAV	\$470.00
17639	STOP EXPXH CK RIGHT HAND	\$119.00
17901	STOP ANGXH SV RIGHT HAND	\$100.00
1791	HOSE PR W/O SS 60	\$119.00
1798	ECCENTRIC STOP KIT ½F	\$156.00
1801	REEL RINSE CONTROL UNIT	\$3,228.00
1802	STOP EXPXH SV RIGHT HAND LONG	\$113.00
1802-0000	STEM ½ SWIVEL RH LONG STD KIT	\$32.00
1803	DUAL CHECK VALVE ½F X ½F	\$257.00
1821	FAUCET 8DLH 06SGN	\$341.00
18325	EYEWASH VALVE 3/8M	\$134.00
1848	FAUCET 8DLH 06RGN PER 2.20 GPM	\$311.00
1856	FAUCET SDLH 06SGN	\$200.00
18627	ULTRA SPRAY PLUS SS NOZZLE INTERNATIONAL SALES ONLY	\$129.00
1872	FAUCET SDDLH 06SGN	\$291.00
18783	SS STEM ¾ SWIVEL LH STD KIT	\$69.00
18791	SS STEM ¾ SWIVEL RH STD KIT	\$69.00
18821	SS STEM ½ SWIVEL LH STD ASSY	\$31.00
18848	SS STEM ½ SWIVEL RH STD ASSY	\$31.00
18856	SS STEM ¾ SWIVEL LH STD ASSY	\$37.00
18872	SS STEM ¾ SWIVEL RH STD ASSY	\$37.00
18937	CLAMPING RING DRINKING	\$19.00
19119	REPAIR KIT ½ SPOUT	\$6.00
1929	FAUCET BD 06SGN	\$109.00
1937	FAUCET BD 06RGN PER 2.20 GPM	\$93.00
19798	FAUCET 8AWLH 06SRV	\$422.00
19828	FAUCET 8AWZLH 03SRV	\$362.00
1996	FAUCET 4BSLH 06SGN	\$329.00
2000-0001	DISK RETAINER ASSY ½ STEM BRS	\$10.00
2000-0002	HANDLE KIT LEVER	\$16.00
2000-0004	STEM ½ CHECK RH STD KIT	\$31.00
2000-0005	STEM ½ CHECK LH STD KIT	\$31.00
2000-3002	BIBB CAP FAUCET BRS CR	\$11.00

ITEM #	ITEM DESCRIPTION	PRICE
2000-3304	ADPTR 3/8F X FMC SVLF NL BRS POL CR	\$37.00
2000-5000	WASHER .468 X .812 SS	\$3.00
2000-5003	WASHER SEAT HARD ½ STEM	\$3.00
2000-6000	SPRING CHECK VALVE	\$3.00
2000-7500	SCREW MACHINE 10-24 X ½	\$3.00
2000-8000	BUTTON INDEX HOT-RED	\$3.00
2000-8001	BUTTON INDEX COLD-BLUE	\$3.00
20020	SNAP RING FERRULE ½	\$3.00
2003	FAUCET 4BSLH 06RGN PER 2.20 GPM	\$329.00
2010-WB	PRE-RINSE SPG SDTLH	\$616.00
2011-0000	SWIVEL PRE-RINSE ARM	\$178.00
20125	ADPTR ¼M X 3/8F 304	\$24.00
20168	BALL DRINKING 304 POL	\$37.00
2020-5003	GASKET PR BOTTOM	\$6.00
2020-5004	GASKET PR SWIVEL TOP	\$6.00
20230	NUT RETAINER BRS	\$19.00
2038	FAUCET BBS 06SGN	\$125.00
2110-1WB	PRE-RINSE SPG SDDLH INTERNATIONAL SALES ONLY	\$622.00
2110-WB	PRE-RINSE SPG SDDLH	\$622.00
21229	SEAL TFE	\$11.00
21393	NUT DRINKING ROTOR BRS	\$7.00
21482	¾ CTL VLV ADDONXH RIG SV 4	\$547.00
21881	FITTING THRU DECK BROACHED BRS POL CR	\$56.00
2200	CTL VLV 8AWLH RIG SV	\$257.00
2200-0000	CLOSE NIPPLE ½ BRS	\$16.00
22004	REPAIR KIT AVB ½	\$122.00
2200-5000	GASKET ECCENTRIC ½	\$4.00
2200-CV	CTL VLV 8AWLH RIG CK	\$239.00
2201	CTL VLV 8SAWLH RIG SV	\$430.00
22012	REPAIR KIT AVB ¾	\$85.00
2201-CV	CTL VLV 8SAWLH RIG CK	\$430.00
2210-1WB	PRE-RINSE SPG 8AWLH INTERNATIONAL SALES ONLY	\$647.00
2210-WB	PRE-RINSE SPG 8AWLH	\$635.00
2211-0000	PRE-RINSE SVL 31R	\$422.00
22209	DRINKING FLAT STRAINER BRS	\$239.00
22233	WASTE VLV KEY BRS	\$11.00
22241	ROTOR STOP BRS	\$6.00
22284	SCREW MACHINE 10-32 X ¾ PIN IN HEX	\$5.00
22292	LOCKING BASKET STRAINER	\$19.00
22306	DRINKING FLAT STRAINER BRS OVF 19 X 21	\$380.00
22314	DRINKING LOCKING BASKET STRAINER BRS OVF 19 X 21	\$380.00
22322	DRINKING FLAT STRAINER BRS OVF 14 X 16	\$380.00
22330	DRINKING LOCKING BASKET STRAINER BRS OVF 14 X 16	\$380.00
22349	DRINKING LOCKING BASKET STRAINER BRS	\$239.00

ITEM #	ITEM DESCRIPTION	PRICE
22365	DRAINING FLAT STRAINER VR BRS	\$338.00
2240	POT FILLER SVB 8AWLH	\$765.00
22411	DRAINING LOCKING BASKET STRAINER BRS OVF	\$255.00
22438	DRAINING FLAT STRAINER BRS OVF	\$255.00
22446	DRAINING FLAT STRAINER VR BRS OVF	\$349.00
2250	POT FILLER SVE 8AWLH	\$763.00
22535	DRAINING FLAT STRAINER	\$11.00
22594	CONCENTRIC 1/2M ASSY	\$31.00
22780	SPANNER WRENCH BALL	\$117.00
2300	CTL VLV 8DLH RIG SV	\$278.00
2300-CV	CTL VLV 8DLH RIG CK	\$308.00
2310-1WB	PRE-RINSE SPG 8DLH INTERNATIONAL SALES ONLY	\$682.00
2310-WB	PRE-RINSE SPG 8DLH	\$668.00
23329	PRE-RINSE SPG 00R AXIA	\$338.00
23590	VANDAL RESISTANT KIT WASTE VALVE	\$31.00
23639	PRE-RINSE SPG 8DLH 21R AXIA	\$688.00
23698	SS CTL VLV 8AWLH SVL CK	\$327.00
23949	TUBE OVERFLOW 14 X 18 NL BRS CR	\$67.00
2400-2103	CLOSE ELBOW 1/2F BRS	\$24.00
24082	TWIST WASTE 1 1/2 FLAT STRAINER CR	\$151.00
24090	TWIST WASTE 2 FLAT STRAINER CR	\$151.00
24104	TWIST WASTE 1 1/2 FLAT STRAINER CR OVF	\$164.00
24112	TWIST WASTE 2 FLAT STRAINER CR OVF	\$159.00
2445	FAUCET 8AWLH 03SRV	\$369.00
2453	FAUCET 8SAWLH 03SRV	\$558.00
24848	TWIST WASTE 1 1/2 BASKET STRAINER CR	\$151.00
24856	TWIST WASTE 2 BASKET STRAINER CR	\$149.00
24864	TWIST WASTE 1 1/2 BASKET STRAINER CR OVF	\$153.00
24872	TWIST WASTE 1 1/2 FLAT STRAINER CR OVF 14 X 18	\$239.00
24880	TWIST WASTE 1 1/2 BASKET STRAINER CR OVF 14 X 18	\$234.00
24899	TWIST WASTE 2 BASKET STRAINER CR OVF	\$169.00
24902	TWIST WASTE 2 FLAT STRAINER CR OVF 14 X 18	\$236.00
24910	TWIST WASTE 2 BASKET STRAINER CR OVF 14 X 18	\$237.00
2500	CTL VLV 4DLH RIG SV	\$222.00
2500-CV	CTL VLV 4DLH RIG CK	\$232.00
2510-1WB	PRE-RINSE SPG 4DLH INTERNATIONAL SALES ONLY	\$646.00
2510-WB	PRE-RINSE SPG 4DLH	\$666.00
2542	DUAL CHECK VACUUM BREAKER 1/4F X 1/4M CR	\$250.00
2600	CTL VLV 4BSLH RIG SV	\$251.00
2600-CV	CTL VLV 4BSLH RIG CK	\$251.00
26115	FAUCET WB 8DLH 08SS	\$245.00
26123	FAUCET WB 8DLH 10SS	\$268.00
26131	FAUCET WB 8DLH 12SS	\$270.00
26174	FAUCET WB 4DLH 06SS	\$238.00

ITEM #	ITEM DESCRIPTION	PRICE
26190	FAUCET WB 4DLH 10SS	\$222.00
26298	FAUCET WB 4BSLH 06SGN	\$255.00
2700	CTL VLV SWLH RIG SV	\$123.00
2710-WB	PRE-RINSE SPG SWLH	\$516.00
2740	POT FILLER SVB SWLH	\$629.00
2750	POT FILLER SVE SWLH	\$535.00
2805	CTL VLV 4RLH SV	\$274.00
2805-CV	CTL VLV 4RLH CK	\$273.00
28231	REEL RINSE INSTALL KIT 8AWLH	\$1,675.00
28266	REEL RINSE INSTALL KIT CON	\$1,954.00
28932	DRAINING FLAT STRAINER CR	\$307.00
28940	DRAINING FLAT STRAINER CR OVF 19 X 21	\$408.00
28959	DRAINING LOCKING BASKET STRAINER CR OVF 19 X 21	\$408.00
28967	DRAINING FLAT STRAINER CR OVF 14 X 16	\$408.00
28975	DRAINING LOCKING BASKET STRAINER CR OVF 14 X 16	\$408.00
28983	DRAINING LOCKING BASKET STRAINER CR	\$282.00
2900-3309	ADPTR 1/4F X 3/8M 304	\$19.00
2900-3310	ADPTR 1/4F X 3/8F 304 POL	\$44.00
2900-3311	BUSHING 1/4F X 1/2M 304	\$44.00
2900-3312	BUSHING 3/8F X 1/2M 304 POL	\$31.00
2900-5000	O-RING TEMP CONT	\$3.00
2901	FAUCET ADDONLH 06SS	\$164.00
2901-0000	CTL VLV ADDONLH RIG SV 4	\$117.00
2901-0001	CTL VLV ADDONLH RIG SV 2	\$109.00
2901-10	FAUCET ADDONLH 10SS	\$166.00
2901-12	FAUCET ADDONLH 12SS	\$167.00
2901-14	FAUCET ADDONLH 14SS	\$168.00
2901-16	FAUCET ADDONLH 16SS	\$168.00
2901-8	FAUCET ADDONLH 08SS	\$152.00
2902-12	WALL BRACKET 12	\$29.00
2902-2301	CLAMP WB POL CR	\$24.00
29025	DRAINING LOCKING BASKET STRAINER CR OVF	\$302.00
2902-7000	SCREW SET 1/4-20 X 1/4	\$4.00
2903	SS BASE DECK RIG	\$50.00
29033	DRAINING FLAT STRAINER CR OVF	\$329.00
2905	SS TROUGH FITTING ASSY	\$69.00
2907	WALL HOOK	\$54.00
2909-5000	GASKET LIFT PIN GUIDE	\$3.00
2909-6000	CLIP SPRAY VALVE	\$4.00
2911	ULTRA SPRAY HAL 36	\$273.00
2912-6000	SPRING SPRAY VALVE	\$3.00
2912-7501	SCREW SOCKET 10-32 X 1/4	\$3.00
2913	HANDLE 3/4-14F X 3/4-14F	\$36.00
2913-3406	ADPTR 3/4-14F X 3/8M 304	\$20.00

ITEM #	ITEM DESCRIPTION	PRICE
2913-3407	FITTING 3/8M X 3/4-14M 304	\$24.00
2913-38	HANDLE 3/4-14F X 3/8F	\$34.00
2914	HOSE PR 36	\$91.00
29149	END CAP OVERFLOW BRS CR	\$19.00
2914-FG	HOSE FG 36	\$99.00
2915	HOSE PR 60	\$122.00
2915-FG	HOSE FG 60	\$110.00
2916-1512	HOSE PR 15	\$69.00
2916-2512	HOSE PR 25	\$82.00
2918	HOSE PR ASSY T&S 44	\$112.00
2918-68	HOSE PR ASSY T&S 68	\$182.00
2920	UTILITY VALVE LONG LEVER	\$164.00
29203	EZ INSTALL KIT BRS T&S	\$29.00
2922	ADPTR 1/4F X 3/4-14F	\$19.00
2922-3401	ADPTR 7/8-20F X 3/4-14F 304	\$29.00
2922-5000	GASKET HANDLE	\$3.00
2923	SPRAY HEAD 3/8 2.15 GPM	\$56.00
2924-6000	SPRING GOOSENECK STL CR	\$32.00
2925-6300	HOSE HOOK POL CR	\$7.00
2926-3300	HOSE / PIPE 1/4F X 3/8F NL BRS CR POL INTERNATIONAL SALES ONLY	\$25.00
2927-4300	RISER PR 21 NL BRS POL CR	\$65.00
2927-4302	RISER PR 12 NL BRS POL CR	\$52.00
2927-4303	RISER PR 16 NL BRS POL CR	\$52.00
2928	PRE-RINSE SPG 21R	\$405.00
29281	PRE-RINSE 21R INTERNATIONAL SALES ONLY	\$382.00
2929-2500	ADPTR 3/8F X PR SVLM NL BRS POL CR	\$36.00
2931	ADPTR SVL 1/4	\$69.00
2932	ADPTR SVL VB 1/4	\$151.00
2932-0002	DUAL CHECK VACUUM BREAKER 3/4-14F X 3/4-14M CR	\$260.00
2932-8000	VACUUM BREAKER ATMOSPHERE 1/4	\$95.00
2932-8001	REPAIR KIT AVB 1/4 & 3/8	\$69.00
2932-8002	VACUUM BREAKER ATMOSPHERE 3/8	\$147.00
2933	STOP EXPXH SV RIGHT HAND	\$119.00
2935-8000	VACUUM BREAKER ATMOSPHERE 3/4	\$227.00
2936-9000	CHECK VALVE 1/2F X 1/2F	\$250.00
2937-9000	WATER HAMMER SILENCER 1/2M	\$197.00
2943	PIPE HOOK	\$50.00
29475	REEL RINSE INSTALL KIT EXP	\$1,757.00
2948	HANDLE SPRAY 3/4-14	\$93.00
2949	ULTRA SPRAY VALVE PLUS	\$111.00
2949-3001	NOZZLE VJ 1.15 GPM BRS	\$31.00
2949-8600	WASHER CUP SV	\$4.00
2949-9000	BUMPER SPRAY VALVE BLACK	\$10.00
2949-9001	BRUSH SPRAY VALVE	\$47.00

ITEM #	ITEM DESCRIPTION	PRICE
2949-9002	BUMPER SPRAY VALVE BLUE	\$11.00
29500	QUICK DISCONNECT VALVE	\$809.00
29521	FAUCET SBS SCRUB 12RGN SHOWERHEAD	\$234.00
2954-3300	CLAMPING RING NL BRS CR	\$76.00
2954-3303	EYEWASH HEAD 3/8 BRS POL CR	\$37.00
2955-3400	ADPTR BUMPER 1/4F X 3/8M NL CP	\$21.00
29556	FAUCET SWLH 03SRV	\$234.00
2955-8000	DUAL CHECK VACUUM BREAKER 3/8F X 3/8M CR	\$249.00
29662	REEL RINSE WHITE EXP UC 20 FT SV	\$1,018.00
2970-3	CTL VLV TEMP 1/2TP	\$129.00
2976	VANDAL RESISTANT KIT	\$88.00
29801	REEL RINSE WHITE EXP WALL 30 FT SV	\$1,650.00
2980-3000	HOSE END ASSY 3/8M BRS	\$92.00
2980-R002	TUBE VINYL CLEAR	\$17.00
2980-R020	HOSE RR 3/8M X 3/8F 1 1/2 FT	\$46.00
2980-R027	BALL STOP	\$58.00
2980-R028	HOSE RR 3/8M X 3/8F X 35 FT	\$343.00
2981-R000	HOSE RR 3/8M X 3/8F 30 FT	\$301.00
29841	REEL RINSE WHITE EXP UC 20 FT US	\$1,023.00
2984-3400	FITTING 1/4M X 3/8M NL BRS CR	\$29.00
2984-R020	HOSE RR 3/8M X 3/8F X 12 FT	\$131.00
29851	REEL RINSE WHITE CVD WALL 30 FT SV	\$1,900.00
2990	PRO SPRAY VALVE	\$111.00
2990-3001	SPRAY NOZZLE NL BRS ASSY	\$34.00
3000-0000	STEM 1/2 SWIVEL RH STD KIT	\$37.00
3000-0001	STEM 1/2 SWIVEL LH STD KIT	\$37.00
3000-0003	DJ 7 1/4	\$123.00
3000-0010	STEM 1/2 SWIVEL LH STD ASSY	\$29.00
3000-0011	STEM 1/2 SWIVEL RH STD ASSY	\$29.00
3000-3304	STEM ADAPTER 1/2 RIGHT HAND	\$24.00
3000-3305	STEM ADAPTER 1/2 LEFT HAND NL BRS CR	\$24.00
3000-3309	ADPTR 1/2 BODY X 3/8F NL BRS CR	\$31.00
3000-5001	GASKET GRAY FIBER	\$3.00
3000-5002	GASKET WASTE VALVE	\$3.00
3000-6001	SEAT 1/2 PRESS 303	\$5.00
3000-8003	SEAT DJ PRESS 303	\$3.00
3010	FAUCET SDLH 06SS	\$189.00
3011	FAUCET SDLH 08SS	\$201.00
3012	FAUCET SDLH 10SS	\$207.00
3013	FAUCET SDLH 12SS	\$182.00
3015	FAUCET SDLH 12SGN	\$203.00
3016	FAUCET SDLH 12RGN PER 2.20 GPM	\$193.00
3026	FAUCET SDLH 06RGN PER 2.20 GPM	\$162.00
30376	SS DRAIN BS 3 1/2	\$25.00

ITEM #	ITEM DESCRIPTION	PRICE
3041	FAUCET DIPPERWELL SINK	\$342.00
3042	FAUCET DIPPERWELL	\$151.00
3042-0000	STEM KIT DIPPERWELL RIGHT HAND SINGLE XH KIT	\$75.00
3043	BOWL DIPPERWELL AS	\$170.00
3069	COUPLING 3/4-14 POL CR	\$31.00
3070	SGL FLOOR FOOT VALVE	\$226.00
3070-0000	CYLINDER KIT FOOT VALVE BRS	\$54.00
3070-7001	RING SNAP FV SS	\$6.00
3071-3303	BIBB CAP FV/DW BRS CR	\$11.00
3074	SGL KNEE VALVE	\$226.00
3076	SGL WALL FOOT VALVE	\$265.00
3110	FAUCET SDDLH 06SS	\$287.00
3113	FAUCET SDDLH 12SS	\$307.00
3115	FAUCET SDDLH 12SGN	\$303.00
3116	FAUCET SDDLH 12RGN PER 2.20 GPM	\$266.00
3126	FAUCET SDDLH 06RGN PER 2.20 GPM	\$257.00
3170	DUAL FLOOR FOOT VALVE	\$368.00
3174	DUAL KNEE VALVE	\$368.00
3176	DUAL WALL FOOT VALVE	\$396.00
31801	HANDLE 3/4 X 3/8 ALUM AN	\$10.00
3200	CTL VLV 8AWLH SVL SV	\$239.00
3200-2306	ESCUTCHEON 1/2 ZMK POL CR	\$11.00
3200-2307	ECCENTRIC KIT 1/2F	\$37.00
3200-CV	CTL VLV 8AWLH SVL CK	\$255.00
3201	CTL VLV 8SAWLH SVL SV	\$430.00
32010	CTL VLV 8SAWCBLH SVL SV	\$430.00
3201-CV	CTL VLV 8SAWLH SVL CK	\$430.00
32027	REEL RINSE WHITE CVD CEILING 30 FT SV	\$1,853.00
32069	FAUCET ECONO 8AWLH 10SS	\$164.00
3250	FAUCET 8AWLH 06SS	\$272.00
3251	FAUCET 8AWLH 08SS	\$276.00
3252	FAUCET 8AWLH 10SS	\$291.00
3253	FAUCET 8AWLH 12SS	\$292.00
3254	FAUCET 8AWLH 14SS	\$294.00
32697	SS PRE-RINSE SPG 16R	\$423.00
32840	SPRAY GUN	\$957.00
3300	CTL VLV 8DLH SVL SV	\$255.00
3300-CV	CTL VLV 8DLH SVL CK	\$276.00
3310	FAUCET 8DLH 06SS	\$341.00
3311	FAUCET 8DLH 08SS	\$345.00
3312	FAUCET 8DLH 10SS	\$304.00
3313	FAUCET 8DLH 12SS	\$305.00
3314	FAUCET 8DLH 14SS	\$353.00
3315	FAUCET 8DLH 12SGN	\$317.00

ITEM #	ITEM DESCRIPTION	PRICE
3316	FAUCET 8DLH 12RGN PER 2.20 GPM	\$316.00
33219	FAUCET ECONO 8AWLH 14SS	\$166.00
33324	HOSE RRA 3/8M X 1/2M 35 FT	\$323.00
33332	HOSE RRA 3/8M X 1/2M 50 FT	\$412.00
33340	HOSE RRA 1/2F X SVL X 35 FT	\$1,065.00
33359	HOSE RRA 1/2F X SVL X 50 FT	\$1,328.00
33367	LOCKING CAM REELS	\$53.00
33375	MOTOR SPRING ASSY NEW RR	\$758.00
33383	ROLLER GUIDE RR SS SQUARE	\$115.00
33413	HOSE RRA 1/2M X 1/2F X 2 FT	\$104.00
33421	HOSE GUARD RR UNITS	\$134.00
33693	FAUCET ECONO 8AWLH 08SS	\$195.00
34169	PRE-RINSE SPG SDDLH 06SS	\$783.00
34193	PRE-RINSE SPG SDDLH 12SS	\$773.00
34223	PRE-RINSE SPG 8DLH 06SS	\$756.00
34266	PRE-RINSE SPG 8DLH 12SS	\$774.00
34355	PRE-RINSE SPG 8AWLH 06SS	\$723.00
34371	PRE-RINSE SPG 8AWLH 10SS	\$809.00
34398	PRE-RINSE SPG 8AWLH 12SS	\$788.00
34401	PRE-RINSE SPG 8AWLH 14SS	\$832.00
34436	PRE-RINSE SPG 8BSLH 06SS	\$815.00
34452	PRE-RINSE SPG 8BSLH 10SS	\$821.00
34460	PRE-RINSE SPG 8BSLH 12SS	\$788.00
34479	PRE-RINSE SPG 8BSLH 14SS	\$789.00
34487	PRE-RINSE SPG 8BSLH 16SS	\$791.00
34711	RISER PR 18 304 POL	\$68.00
34878	ADPTR 1/2 BODY X 3/8M 303 CR	\$37.00
3500	CTL VLV 4DLH SVL SV	\$226.00
3500-CV	CTL VLV 4DLH SVL CK	\$231.00
3510	FAUCET 4DLH 06SS	\$273.00
3511	FAUCET 4DLH 08SS	\$274.00
3512	FAUCET 4DLH 10SS	\$268.00
3513	FAUCET 4DLH 12SS	\$264.00
3515	FAUCET 4DLH 12SGN	\$282.00
3516	FAUCET 4DLH 12RGN PER 2.20 GPM	\$256.00
3525	FAUCET 4DLH 06SGN	\$273.00
3526	FAUCET 4DLH 06RGN PER 2.20 GPM	\$267.00
3600	CTL VLV 4BSLH SVL SV	\$273.00
3600-CV	CTL VLV 4BSLH SVL CK	\$251.00
3610	FAUCET 4BSLH 06SS	\$304.00
36129	JOINT SWIVEL REEL RINSE	\$381.00
3613	FAUCET 4BSLH 12SS	\$301.00
3615	FAUCET 4BSLH 12SGN	\$352.00
3616	FAUCET 4BSLH 12RGN PER 2.20 GPM	\$308.00

ITEM #	ITEM DESCRIPTION	PRICE
36161	FAUCET CRLH 14SS	\$258.00
36730	ASPIRATOR W/ BALL VALVE	\$516.00
36951	HOSE RR FG 3/8M X 3/8F X 30 FT	\$259.00
3700	CTL VLV SWLH SVL SV	\$123.00
3710	FAUCET SWLH 06SS	\$156.00
3713	FAUCET SWLH 12SS	\$170.00
37419	HOSE FG 1/2 X 3/4-14 X 90 ELBOW	\$113.00
37427	HOSE FG 1/2 X 3/4-14 X 108 ELBOW	\$89.00
3800	SS BASE DECK SVL	\$54.00
3815	FAUCET BD 12SGN	\$119.00
3816	FAUCET BD 12RGN PER 2.20 GPM	\$99.00
38318	SS CTL VLV ADDONLH RIG SV 4	\$203.00
38326	SS RISER PR 02 1/2	\$31.00
38334	SS RISER PR 04 1/2	\$37.00
38350	SS RISER PR 08	\$41.00
38369	SS RISER PR 10	\$44.00
38407	SS RISER PR 12	\$48.00
38415	SS RISER PR 25	\$56.00
38423	SS RISER PR 31	\$76.00
38660	SS PRE-RINSE SPG 21R	\$430.00
3900	SS BASE BACKSPLASH SVL	\$76.00
3900-0002	BASE BACKSPLASH RIG	\$76.00
3915	FAUCET BBS 12SGN	\$136.00
3916	FAUCET BBS 12RGN PER 2.20 GPM	\$125.00
3960	SPOUT 06SS PER 2.20 GPM	\$45.00
3961	SPOUT 08SS PER 2.20 GPM	\$47.00
3962	SPOUT 10SS PER 2.20 GPM	\$49.00
3963	SPOUT 12SS PER 2.20 GPM	\$50.00
3964	SPOUT 14SS PER 2.20 GPM	\$51.00
3965	SPOUT 12SGN 2.20 GPM	\$61.00
3966	SPOUT 12RGN 2.20 GPM	\$50.00
3967	SPOUT 16SS PER 2.20 GPM	\$52.00
3968	SPOUT 06SGN 2.20 GPM	\$54.00
3969	SPOUT 06RGN PER 2.20 GPM	\$45.00
3982-9000	ADPTR GHM X 55/64-27F 304	\$10.00
3983	HANDLE KIT CROSS	\$19.00
3984	HANDLE KIT WRIST	\$54.00
3990	VACUUM BREAKER ATMOSPHERE LEDGE 1/2	\$392.00
3991	VACUUM BREAKER ATMOSPHERE DECK 1/2	\$349.00
4000-0001	SPOUT 11CS 5.00 GPM	\$192.00
4000-0002	DJ 13	\$119.00
4000-0004	HANDLE KIT KNOB	\$24.00
4000-3300	ADPTR 3/8F X FMC SVLM 304 POL	\$67.00
40010	SS ADPTR SVL 1/4	\$56.00

ITEM #	ITEM DESCRIPTION	PRICE
40355	HANDLE QUICK DISCONNECT	\$547.00
40436	ADPTR 7/8-20F X 3/8M 304	\$57.00
41718	SS AERATOR 55/64-27F PCA SPRAY 0.35 GPM	\$13.00
41726	SS AERATOR 55/64-27F 5.00 GPM	\$19.00
4230	FAUCET 8AWLH 11CS07DJ	\$501.00
4231	FAUCET 8AWLH 11CS13DJ	\$511.00
42811	DISK RETAINER ASSY 1/2 STEM FLAT 303 PAS	\$11.00
43001	ADPTR 3/8M X FMC SVLM NL BRS POL CR	\$27.00
43567	AXLE DBL SHORT 304 W/ 2 SNAP RINGS	\$24.00
44547	QUICK DISCONNECT BASE BACKSPLASH ECC 1/2M X 1/4 BARB	\$258.00
44873	ADPTR 1/4F X 55/64-27M 304	\$22.00
45748	SS FAUCET BD 06SGN PER 2.20 GPM	\$123.00
46094	SS FAUCET BD 12SGN PER 2.20 GPM	\$141.00
47090	SS FAUCET BBS 06SGN PER 2.20 GPM	\$156.00
47104	SS FAUCET BBS 12SGN PER 2.20 GPM	\$164.00
4730	FAUCET SWLH 11CS07DJ	\$408.00
4731	FAUCET SWLH 11CS13DJ	\$410.00
4750	FAUCET CRLH 10SS	\$235.00
4750-0000	CTL VLV CRLH SVL SV	\$187.00
47759	SS SGL FLOOR FOOT VALVE	\$264.00
47988	SS DUAL FLOOR FOOT VALVE	\$372.00
48011	SS SGL KNEE VALVE	\$269.00
48054	SS DUAL KNEE VALVE	\$372.00
48062	SS SGL WALL FOOT VALVE	\$302.00
48070	SS DUAL WALL FOOT VALVE	\$419.00
48453	SS WALL/DECK ADAPTER ASSY	\$56.00
48887	PRE-RINSE SPG 8BSZLH 06SS	\$869.00
48917	PRE-RINSE SPG 8BSZLH 12SS	\$826.00
48925	PRE-RINSE SPG 8BSZLH 14SS	\$766.00
48933	PRE-RINSE SPG 8BSZLH 16SS	\$792.00
5000	3/4 CTL VLV SDXH SVL SV	\$338.00
5000-0001	3/4 SPOUT 10SS	\$113.00
5000-0002	3/4 SPOUT 14SS	\$129.00
5000-0003	3/4 DJ 10	\$182.00
5000-0006	STEM 3/4 SWIVEL LH STD ASSY	\$55.00
5000-0007	STEM 3/4 SWIVEL RH STD ASSY	\$55.00
5000-0010	STEM 3/4 SWIVEL RH STD KIT	\$75.00
5000-0011	STEM 3/4 SWIVEL LH STD KIT	\$75.00
5000-0012	STEM 3/4 SWIVEL RH STD KIT	\$67.00
5000-0013	STEM 3/4 SWIVEL LH STD KIT	\$67.00
5000-2103	CLOSE ELBOW 3/4F	\$75.00
5008	3/4 POT FILLER SVB 12SGN 72HO	\$897.00
5008-0002	HOSE FG 3/4 72	\$537.00
5071	3/4 SPOUT 10CS	\$326.00

ITEM #	ITEM DESCRIPTION	PRICE
51403	SS STEM 3/4 SWIVEL RH STD KIT	\$75.00
51411	SS STEM 3/4 SWIVEL LH STD KIT	\$75.00
51446	DISK RETAINER ASSY 1/2 STEM SS	\$11.00
51659	SS ADPTR 1/4F X 3/4-14F	\$19.00
51675	FITTING 1/4M X 3/8M 304	\$31.00
51705	CLOSE NIPPLE 3/8 304	\$24.00
51780	REPAIR KIT INLINE CHECK 3/8	\$96.00
5200	3/4 CTL VLV 8AWLH SVL SV	\$594.00
5200-CV	3/4 CTL VLV 8AWLH SVL CK	\$638.00
52426	HANDLE DRAINING SHORT STL CR PD	\$37.00
52434	DRAINING FLAT STRAINER BRS SHORT HANDLE	\$239.00
52760	SS FAUCET SDDLH 06SS	\$370.00
52795	SS FAUCET SDDLH 12SS	\$370.00
52841	SS FAUCET SDDLH 10SS07DJ	\$458.00
52892	SS FAUCET SDDLH 06SGN PER 2.20 GPM	\$361.00
52906	SS FAUCET SDDLH 12SGN PER 2.20 GPM	\$367.00
52922	SS PRE-RINSE SPG 8BSZLH	\$795.00
52930	SS PRE-RINSE SPG 8BSZLH 06SS	\$1,089.00
52965	SS PRE-RINSE SPG 8BSZLH 12SS	\$1,025.00
52973	SS PRE-RINSE SPG 8BSZLH 14SS	\$999.00
5300	3/4 CTL VLV 8DLH SVL SV	\$419.00
53007	SS PRE-RINSE SPG SDDLH	\$693.00
5300-CV	3/4 CTL VLV 8DLH SVL CK	\$414.00
53015	SS PRE-RINSE SPG SDDLH 06SS	\$901.00
53058	SS PRE-RINSE SPG SDDLH 12SS	\$914.00
53104	SS FAUCET 8AWLH 06SS	\$409.00
53120	SS FAUCET 8AWLH 10SS	\$416.00
53139	SS FAUCET 8AWLH 12SS	\$359.00
53260	SS FAUCET 8AWLH 06SGN PER 2.20 GPM	\$421.00
53279	SS FAUCET 8AWLH 12SGN PER 2.20 GPM	\$420.00
53430	SS PRE-RINSE SPG 8AWLH	\$766.00
53449	SS PRE-RINSE SPG 8AWLH 06SS	\$950.00
53473	SS PRE-RINSE SPG 8AWLH 12SS	\$947.00
53740	SS FAUCET 4DLH 06SS	\$354.00
53775	SS FAUCET 4DLH 12SS	\$364.00
53872	SS FAUCET 4DLH 06SGN PER 2.20 GPM	\$360.00
53880	SS FAUCET 4DLH 12SGN PER 2.20 GPM	\$367.00
5400	3/4 CTL VLV 8BSELH SVL SV	\$555.00
5400-CV	3/4 CTL VLV 8BSELH SVL CK	\$556.00
54100	SS FAUCET 8AWLH 12CS07DJ	\$591.00
5412	3/4 FAUCET 8BSELH 10SS	\$696.00
5414	3/4 FAUCET 8BSELH 14SS	\$710.00
54186	SS GLASS FILLER 10PED 3/8M	\$265.00
54194	SS GLASS FILLER 08PED 3/8M	\$263.00

ITEM #	ITEM DESCRIPTION	PRICE
54208	SS GLASS STATION 10PED	\$419.00
54224	SS GLASS FILLER HEAD FLAIR	\$208.00
54348	SS AERATOR 55/64-27F 1.00 GPM	\$19.00
54380	SS SPOUT 06SS 2.20 GPM	\$59.00
54399	SS SPOUT 08SS 2.20 GPM	\$61.00
54402	SS SPOUT 10SS 2.20 GPM	\$63.00
54410	SS SPOUT 12SS 2.20 GPM	\$64.00
54429	SS SPOUT 14SS 2.20 GPM	\$65.00
54437	SS SPOUT 12SGN 2.20 GPM	\$76.00
54445	SS SPOUT 16SS 2.20 GPM	\$70.00
54453	SS SPOUT 06SGN 2.20 GPM	\$69.00
54461	SS DJ 07	\$82.00
54502	SS STEM 1/2 CHECK RH STD KIT	\$37.00
54510	SS STEM 1/2 CHECK LH STD KIT	\$37.00
54518	SS STEM 1/2 SWIVEL RH STD KIT	\$37.00
54526	SS STEM 1/2 SWIVEL LH STD KIT	\$37.00
54577	STEM ADAPTER 1/2 RIGHT HAND 303 POL PAS	\$37.00
54593	STEM ADAPTER 1/2 LEFT HAND 303 POL PAS	\$37.00
54801	SS FAUCET 8AWLH 12CS12DJ	\$607.00
54836	SS FAUCET SBSELH 12CS12DJ	\$599.00
55042	SS SPOUT 12CS 5.00 GPM	\$213.00
55050	SS DJ 12	\$100.00
55247	PRE-RINSE SPG 8AWLH AXIA	\$532.00
55255	PRE-RINSE SPG 8DLH INTERNATIONAL SALES ONLY	\$629.00
55778	PRE-RINSE SPG 21R AXIA	\$369.00
55867	SS AERATOR 55/64-27F 2.20 GPM	\$20.00
56006	FAUCET CRLH 12SS	\$236.00
56685	STEM CYLINDER 303 BN	\$24.00
56707	CYLINDER SLEEVE 304	\$11.00
5700	3/4 CTL VLV SWXH SVL SV	\$291.00
57630	SS FAUCET 8DLH 06SS	\$410.00
57649	SS FAUCET 8DLH 08SS	\$417.00
57657	SS FAUCET 8DLH 10SS	\$417.00
57665	SS FAUCET 8DLH 12SS	\$421.00
57673	SS FAUCET 8DLH 14SS	\$424.00
57770	SS FAUCET 8DLH 06SGN PER 2.20 GPM	\$398.00
57789	SS FAUCET 8DLH 12SGN PER 2.20 GPM	\$415.00
58009	SS FAUCET SDLH 06SS	\$244.00
58033	SS FAUCET SDLH 12SS	\$253.00
58130	SS FAUCET SDLH 06SGN PER 2.20 GPM	\$239.00
58149	SS FAUCET SDLH 12SGN PER 2.20 GPM	\$256.00
59099	SS GLASS FILLER 12PED 3/8M	\$266.00
59102	SS GLASS FILLER 14PED 3/8M	\$268.00
59110	SS GLASS STATION 12PED	\$430.00

ITEM #	ITEM DESCRIPTION	PRICE
59129	SS GLASS STATION 14PED	\$430.00
59919	ADPTR 3/8M X FMC SVLM 304 POL	\$37.00
60658	SS FAUCET 8BSLH 14SS	\$465.00
60674	SS FAUCET 8BSZLH 14SS	\$462.00
60690	SS FAUCET 8BSLH 14SS	\$437.00
60801	SS FAUCET 8BSZLH 12SS	\$461.00
60836	SS FAUCET 8BSLH 12SS	\$432.00
61077	SS FAUCET 8BSZLH 08SS	\$453.00
61204	SS FAUCET 8BSZLH 06SS	\$446.00
61220	SS FAUCET 8BSLH 06SS	\$406.00
6124-4400	TUBE OVERFLOW 19 X 21 NL BRS CR	\$54.00
6125-4400	TUBE OVERFLOW 14 X 16 NL BRS CR	\$54.00
6126-5000	GASKET DRAINING ELBOW STRAINER	\$4.00
6126-7400	SCREW MACHINE 10-24 X 2 1/2	\$6.00
6128-5000	GASKET TAILPIECE 2	\$6.00
6128-8000	NUT SLIP JOINT 2 BRS CR	\$21.00
6129	TAILPIECE 2 X 6 CR	\$65.00
61336	NIPPLE 1/2 X 1/4 X 6 304	\$35.00
61476	SS FAUCET 8BSLH 06SGN PER 2.20 GPM	\$412.00
61506	SS CTL VLV 8BSZLH SVL SV	\$329.00
61549	SS CTL VLV 8BSLH SVL SV	\$296.00
61565	SS CTL VLV 8AWLH SVL SV	\$296.00
61662	SS CTL VLV 8BSLH RIG CK	\$371.00
61689	SS CTL VLV 8AWLH RIG CK	\$381.00
62049	SS FAUCET 4BSLH 12SS	\$394.00
6240-2100	DRAIN WS 1 X 2 BRS	\$23.00
6241-2400	DRAIN WS 1 X 2 BRS CR	\$44.00
62448	SS FAUCET 4BSLH 06SS	\$386.00
62502	SS FAUCET 4BSLH 12SGN PER 2.20 GPM	\$389.00
6250-2100	NUT LOCK 1 BRS	\$7.00
62669	SS FAUCET 4BSLH 06SGN PER 2.20 GPM	\$391.00
6280-5000	GASKET WASTE SOCKET 1 / TAILPIECE 1 1/2	\$3.00
62839	SS CTL VLV 4BSLH SVL SV	\$310.00
62936	SS CTL VLV 4BSLH RIG CK	\$305.00
63134	SS CTL VLV SDDLH RIG CK	\$317.00
63363	SS RISER PR 21	\$60.00
6343	FITTING THRU DECK	\$61.00
63592	SS CTL VLV SDDLH SVL SV	\$310.00
63819	CTL VLV 8BSZLH SVL SV	\$268.00
64211	CLOSE ELBOW 1/2F BRS 2 EACH	\$48.00
64238	CLOSE NIPPLE 1/2 BRS 2 EACH	\$30.00
64351	SUPPLY LINE 1/2F X 1/2M X 36 2 EACH	\$100.00
6440-2100	DRAIN WS 1 X 4 BRS	\$47.00
6441-2400	DRAIN WS 1 X 4 BRS CR	\$60.00

ITEM #	ITEM DESCRIPTION	PRICE
64734	FAUCET 8BSZLH 06SS	\$318.00
64742	FAUCET 8BSZLH 08SS	\$328.00
64750	FAUCET 8BSZLH 10SS	\$332.00
64769	FAUCET 8BSZLH 12SS	\$306.00
64777	FAUCET 8BSZLH 14SS	\$307.00
64793	PRE-RINSE SPG 8BSZLH	\$633.00
6540-2100	DRAIN WS 1 1/2 X 1 1/2 BRS	\$39.00
6541-2400	DRAIN WS 1 1/2 X 1 1/2 BRS CR	\$47.00
6544-0000	TAILPIECE 1 1/2 X 4 CR	\$37.00
6550-2100	NUT LOCK 1 1/2 BRS	\$10.00
6556	DRAIN BS BRS POL CR 3 1/2	\$76.00
65676	DRAINING FLAT STRAINER VR BRS	\$239.00
6580-5000	GASKET WASTE SOCKET 1 1/2 FIBER	\$4.00
65994	MOUNTING KIT DUAL DECK	\$35.00
6642-2100	DRAIN WS 3/4 X 1 3/4 BRS	\$37.00
6651-9000	NUT LOCK 3/4 BRS	\$9.00
66575	SS CTL VLV SDLH SVL SV	\$190.00
66591	SS CTL VLV SDLH RIG SV	\$161.00
6673-4300	STANDPIPE 3/4 X 3 1/4 BRS CR	\$18.00
66761	BIBB CAP WIDESPREAD 304 POL	\$29.00
66869	SEAT 3/4 PRESS 303	\$24.00
67148	STEM 1/2 SINGLE RH STD ASSY	\$31.00
67385	SS CTL VLV 8DLH SVL SV	\$358.00
67407	SS CTL VLV 8DLH RIG CK	\$326.00
67423	SS CTL VLV 4DLH SVL SV	\$303.00
67458	SS CTL VLV 4DLH RIG CK	\$302.00
67601	SS FAUCET SWLH 06SS	\$226.00
67644	SS FAUCET SWLH 12SS	\$240.00
67989	SS PRE-RINSE SPG 8BSLH	\$792.00
68071	SS PRE-RINSE SPG 8BSLH 06SS	\$1,040.00
68128	SS PRE-RINSE SPG 8BSLH 12SS	\$950.00
68217	SS PRE-RINSE SPG 8DLH	\$746.00
68225	SS PRE-RINSE SPG 8DLH 06SS	\$1,007.00
68268	SS PRE-RINSE SPG 8DLH 12SS	\$964.00
69175	SS FAUCET SWLH 12CS07DJ	\$454.00
69183	SS FAUCET SWLH 12CS12DJ	\$479.00
70173	SS CTL VLV WSLH SVL SV	\$378.00
70204	SS CTL VLV WSLH RIG SV	\$358.00
70432	SS CTL VLV SWLH RIG SV	\$173.00
70459	SS CTL VLV SWLH SVL SV	\$168.00
70645	SS CLOSE NIPPLE 1/2	\$21.00
70653	SS EZ INSTALL KIT T&S CHI KRN	\$76.00
70920	STOP WSLH RIGHT HAND SV FR	\$204.00
71072	ULTRA SPRAY VALVE PLUS BLACK BUMPER INTERNATIONAL SALES ONLY	\$104.00

ITEM #	ITEM DESCRIPTION	PRICE
71307	SS ULTRA SPRAY VALVE PLUS	\$160.00
71315	SS RISER PR 16	\$48.00
71323	SS FAUCET ADDONLH 06SS	\$249.00
71366	SS FAUCET ADDONLH 12SS	\$248.00
71374	SS FAUCET ADDONLH 14SS	\$268.00
71390	SS HANDLE ¾-14F X ¾-14F	\$37.00
71404	SS HOSE PR ASSY T&S 44	\$133.00
71412	REPAIR KIT GLASS FILLER SS	\$56.00
71420	REPAIR KIT SPRAY VALVE SS	\$69.00
71439	SS CLOSE NIPPLE ½ 2 EACH	\$37.00
71447	SS CLOSE ELBOW ½F 2 EACH	\$100.00
71498	SS CLOSE ELBOW ½F	\$50.00
71668	SS STOP WSLH RIGHT HAND SV	\$158.00
71684	SS STOP WSLH LEFT HAND SV	\$156.00
71803	SS MOUNTING KIT DUAL DECK	\$76.00
72273	PRE-RINSE SPG 00R AXIA	\$349.00
72726	LIFT PLUS ASSY	\$19.00
72747	RISER PR 02 ½ NL BRS POL CR	\$24.00
72748	RISER PR 04 ½ NL BRS POL CR	\$31.00
72749	RISER PR 25 NL BRS POL CR	\$52.00
72750	RISER PR 31 NL BRS POL CR	\$82.00
72792	DISK RETAINER ASSY GF/SV SS	\$6.00
72793	DISK RETAINER ASSY ¾ STEM SS	\$16.00
72794	STEM ½ SWIVEL RH KEY STD ASSY	\$35.00
72813	SS HOSE / PIPE CHEMICAL TEE	\$76.00
72819	HANDLE DRINKING STL CR PD	\$24.00
73110	FAUCET CHEMICAL TEE	\$127.00
73135	PRE-RINSE SPG 8BSLH 16SS	\$804.00
73140	PRE-RINSE SPG 8BSLH 16R AXIA	\$663.00
73222	UNION ½F BRS	\$90.00
73228	SPRING GOOSENECK AXIA STL CR	\$39.00
73247	STEM ½ SWIVEL RH FLAT KIT	\$44.00
73248	STEM ½ SWIVEL LH FLAT KIT	\$44.00
73258	BASE GLASS FILLER BRS POL CR	\$37.00
73271	CLOSE NIPPLE, ELBOW & SUPPLY LINE ½ BRS	\$53.00
73279	PRE-RINSE SPG 8DLH 12R AXIA	\$672.00
73328	PRE-RINSE SLP 8BSLH 08SS	\$757.00
73450	AERATOR 55/64-27F PER FULL FLOW 5.00 GPM	\$8.00
73453	DISK RETAINER ASSY ¾ STEM BRS	\$31.00
73463	LEVER WASTE STOPPER BRS CR W/ O-RING	\$50.00
73470	KNOB DRINKING ZMK	\$88.00
73476	CLOSE NIPPLE ½ BRS CR	\$29.00
73477	NUT FLANGE / SPOUT ¾ 303 POL PAS	\$48.00
73481	ADPTR ¾ BODY X FMC SVLM 304 POL	\$125.00

ITEM #	ITEM DESCRIPTION	PRICE
73482	ADPTR 3/8F X FMC SVLF 304 POL	\$25.00
73483	ADPTR ¾F X FMC SVLM 304 POL	\$113.00
73484	THREAD COVER SW 304 POL	\$12.00
73493	WASHER .688 X 1 ¼ 304 POL	\$9.00
73494	NOZZLE J 2.45 GPM 304	\$31.00
73495	NOZZLE VJ 1.15 GPM 304	\$37.00
73496	CLOSE NIPPLE 3/8 NL BRS CR	\$24.00
73498	ADPTR STEM ¾ LEFT HAND 303 POL PAS	\$76.00
73500	ESCUTCHEON CON STOP 2 ¼ 304 POL	\$44.00
73501	FLANGE ECCENTRIC ½ 303 BN	\$9.00
73502	FLANGE 45 DEG ½ NL BRS POL CR	\$48.00
73521	LUBE PILLOW PACK O-RING	\$6.00
73522	SPOUT ECONO 14SS 2.20 GPM	\$48.00
73523	SPOUT ECONO 16SS 2.20 GPM	\$49.00
73524	SPOUT ECONO 06SGN 2.20 GPM	\$50.00
73525	SPOUT ECONO 12SS 2.20 GPM	\$47.00
73526	SPOUT ECONO 10SS 2.20 GPM	\$46.00
73527	SPOUT ECONO 08SS 2.20 GPM	\$44.00
73528	SPOUT ECONO 06SS 2.20 GPM	\$42.00
73532	NUT SLIP JOINT 1 ½ BRS CR	\$11.00
73534	ADPTR ½ BODY X 3/8F 304 POL	\$37.00
73540	NUT CONNECTOR ½ 303 POL PAS	\$19.00
73541	SS ECCENTRIC KIT ½F	\$44.00
73542	ADPTR ½ BODY X FMC SVLM 303 POL PAS	\$37.00
73543	BIBB CAP FAUCET 303 POL PAS	\$11.00
73544	WASHER SER .709 OD	\$3.00
73546	NUT HEX 10-32	\$3.00
73547	GASKET ECCENTRIC ¾	\$6.00
73548	ECCENTRIC ¾F 304 POL ASSY	\$100.00
73549	ESCUTCHEON ¾ BRS POL CR	\$11.00
73550	WASHER SEAT ¾ STEM	\$5.00
73551	SS CONCENTRIC KIT ½M	\$37.00
73553	RETAINING RING 7/16	\$7.00
73554	AXLE DBL LONG BRS CR W/ 2 SNAP RINGS	\$24.00
73555	BRACKET FOOT VALVE NL BRS POL CR	\$50.00
73567	GASKET GRAY FIBER ¾	\$5.00
73568	O-RING SPOUT ¾	\$3.00
73569	ADPTR STEM ¾ LEFT HAND NL BRS CR	\$76.00
73570	ADPTR STEM ¾ RIGHT HAND NL BRS CR	\$76.00
73571	SEAT ¾ PRESS 303	\$24.00
73572	HANDLE DRINKING LONG STL CR PD	\$37.00
73573	RISER GF 14 304 POL	\$113.00
73577	WASTE VLV KEY BRS BN	\$24.00
73578	NUT RETAINER BRS CR	\$24.00

ITEM #	ITEM DESCRIPTION	PRICE
73584	GASKET INLET FITTING	\$3.00
73585	BALL VALVE 3/8M X 3/8F	\$39.00
73594	BASKET STRAINER	\$19.00
73596	ECONO O-RING TWIST & LEVER WASTE	\$10.00
73597	HANDLE TWIST WASTE	\$50.00
73599	OVERFLOW ELBOW TWIST WASTE	\$58.00
73604	FLANGE WOK BRS POL CR	\$48.00
73605	RISER GF 12 304 POL	\$132.00
73606	RISER GF 10 304 POL	\$119.00
73607	RISER GF 08 304 POL	\$93.00
73612	STREET ELBOW 3/8 304 POL	\$35.00
73648	SEAT 1/2 THREAD 303	\$7.00
73652	STRAINER OVERFLOW ASSY BRS POL CR	\$37.00
73654	DISK RETAINER FV 303	\$6.00
73655	GASKET END CAP BW	\$4.00
73656	END CAP OVERFLOW BRS	\$19.00
73657	GASKET DUCK STEM	\$3.00
73658	FITTING 3/8M X 1/2M X 1/4F 304	\$23.00
73661	STIFFNER PAN ALUM	\$37.00
73677	SPRING GOOSENECK MINI SS	\$84.00
73682	NUT SLIP JOINT 1 1/4 BRS CR	\$9.00
73683	GASKET SLIP JOINT 1 1/4	\$3.00
73684	NUT SPOUT 1/2 BRS POL CR	\$7.00
73685	WASHER SEAT NIT 1/2 STEM FLAT	\$3.00
73694	VOLUME CONTROL TEMP CONTROL ASSY	\$18.00
73697	ADPTR DRAINING STOP BRS	\$11.00
73706	NUT CONNECTOR 1/2 BRS CR	\$19.00
73707	TEE 3/8F NL BRS POL CR	\$88.00
73708	ELBOW 3/8F NL BRS POL CR	\$37.00
73709	GASKET	\$4.00
73716	O-RING GLASS FILLER VOLUME CONTROL	\$3.00
73718	SPRING FOOT VALVE	\$6.00
73725	PLUG 3/8M NL BRS POL CR	\$14.00
73750	FAUCET SENSOR SBSE 0.50 GPM	\$758.00
73751	FAUCET SENSOR SD 0.50 GPM	\$758.00
73753	AERATOR SENSOR 0.50 GPM	\$21.00
73770	DW INNER SHELL	\$116.00
73781	NUT LOCK 3/4 BRS 100 EACH	\$272.00
73782	STANDPIPE 3/4 X 3 1/4 BRS CR 100 EACH	\$1,090.00
73783	DRAIN WS 3/4 X 1 3/4 BRS CR 100 EACH	\$1,212.00
73784	GASKET WASTE SOCKET 3/4 100 EACH	\$140.00
73792	WASHER OVAL X 1 7/8 304 POL	\$17.00
73793	GASKET CYLINDER	\$3.00
73794	SLIP JOINT KIT 1/2	\$7.00

ITEM #	ITEM DESCRIPTION	PRICE
73805	NUT SPOUT 1/2 303 POL PAS	\$17.00
73806	O-RING LIFT PIN	\$3.00
73835	BIBB CAP TEMP CONTROL BRS	\$4.00
73836	ADPTR 1/2 BODY X FMC SVLM NL BRS CR	\$29.00
73838	WASHER .692 X 1 3/4 STEEL	\$3.00
73848	NUT LOCK 1 1/8-20 BRS	\$6.00
73849	WASHER 1.182 X 1 7/8 SS	\$8.00
73853	SPOUT SRVSNK 3 X 1/2M NL BRS POL CR	\$87.00
73856	ADPTR 1/4M X 55/64-27M BRS CR LONG	\$17.00
73857	AXLE SGL SHORT 303 CR W/ 2 SNAP RINGS	\$24.00
73858	PEDAL KNEE ALUM AN	\$108.00
73862	NUT LOCK 3/8 BRS	\$10.00
73878	SCREW SOCKET M4 X 16MM	\$3.00
73885	SEAT DW THREAD 303	\$6.00
73929	PEDAL WALL ALUM AN	\$119.00
73930	PEDAL FLOOR ALUM AN	\$76.00
73931	NIPPLE 3/8 X 2 5/16 BRS	\$11.00
73932	SCREW MACHINE 2-56 X 1/4	\$3.00
73933	WASHER SEAT DIPPERWELL	\$4.00
73934	O-RING DIPPERWELL	\$3.00
73940	BALL STOP FOR 1/2 HOSE	\$67.00
74000	GLASS FILLER HASI 96	\$527.00
74049	BARB 3/8 X 1/4 PORT 2ST 1/4 BODY QD PLUG 304	\$23.00
74050	LEVER PUSH BRS POL CR	\$24.00
74223	AERATOR 55/64-27F PCA SPRAY 0.35 GPM	\$8.00
74238	WASHER .843 X 1 1/2 BRS CR	\$17.00
74247	TUBE 12RGN SCRUB 304 POL CR	\$46.00
74267	ADPTR 1 1/2F X 2M BRS CR	\$29.00
74273	ADPTR 1/4M X 55/64-27M 304 POL SHORT	\$22.00
74307	SS STEM 1/2 SWIVEL RH FLAT KIT	\$63.00
74309	SS STEM 1/2 SWIVEL LH FLAT KIT	\$63.00
74313	NUT HEX 10-24 18-8 SS	\$3.00
74334	SS AERATOR 55/64-27F 1.50 GPM	\$19.00
74335	AERATOR 55/64-27F PER 1.50 GPM	\$19.00
74336	AERATOR 55/64-27F PER 1.00 GPM	\$19.00
74439	GASKET WASTE VALVE 200 EACH	\$87.00
74547	BIBB CAP CON STOP BRS CR	\$39.00
74556	NUT DRAINING ROTOR / SPOUT BRS CR	\$10.00
74581	O-RING SPOUT 1/2 QTY 20	\$10.00
74599	PRE-RINSE SPG 4DLH 16R AXIA	\$609.00
74618	CTL VLV ECONO 8AWLH SVL SV	\$197.00
74628	UTILITY VALVE W/O SPRAY HEAD	\$146.00
74652	AXLE SGL LONG 303 CR W/ 2 SNAP RINGS	\$24.00
74661	SPRING GOOSENECK 304	\$53.00

ITEM #	ITEM DESCRIPTION	PRICE
74693	NIPPLE 1/2 X 1 3/8 NL BRS DLP	\$7.00
74728	SS GLASS FILLER HEAD 3/8F	\$209.00
74752	ADPTR WS TEE 303 PAS	\$24.00
74791	SS PRE-RINSE SLP 8BSZLH 12SS	\$1,121.00
75016	SERVICE SINK HOSE & HOLDER KIT	\$108.00
75066	HOSE RR 3/8M X 1/2F X 1 1/2 FT	\$56.00
75079	HOSE RR 3/8M X 3/8M X 30 FT	\$302.00
75110	HOSE RR FG 3/8M X 1/2F X 1 1/2 FT	\$49.00
75117	VACUUM BREAKER ATMOSPHERE 1/2	\$146.00
75121	THREAD COVER CHEMICAL TEE 304	\$14.00
75199	REEL RINSE SWING BRACKET REELCRAFT RED	\$262.00
75200	REEL RINSE PIVOT BASE REELCRAFT BLACK	\$291.00
75221	REEL RINSE SS CVD WALL 30 FT X 3/8 SV	\$4,027.00
75222	REEL RINSE SS CVD CEILING 30 FT X 3/8 SV	\$4,211.00
75303	ADPTR 1/4M X 3/8F 304	\$24.00
75304	PRE-RINSE SPG 8BSLH 21R AXIA	\$666.00
75328	SCREW CONNECTOR 10-24 M X 10-32 F	\$6.00
75395	REEL SS EXP WALL 50 FT SV	\$4,699.00
75397	REEL SS EXP WALL 50 FT SG	\$6,133.00
75408	PRE-RINSE SLP 10R	\$346.00
75409	SS PRE-RINSE SLP 10R	\$388.00
75410	PRE-RINSE SLP 04R	\$351.00
75411	SS PRE-RINSE SLP 04R	\$445.00
75414	PR SVLM / PIPE CHEMICAL TEE NL BRS CR POL ASSY	\$60.00
75423	HOSE RR 3/8M X 3/8F X 20 FT	\$189.00
75427	HOSE RR FG 3/8M X 3/8M X 12 FT	\$112.00
75464	KEY STOP KEY	\$20.00
75496	EASY FLEX GAS HOSE 3/4 X 48 W/ ACCESSORIES	\$425.00
75497	EASY FLEX GAS HOSE 3/4 X 36 W/ ACCESSORIES	\$425.00
75498	EASY FLEX GAS HOSE 1/2 X 48 W/ ACCESSORIES	\$335.00
75499	EASY FLEX GAS HOSE 1 X 48 W/ ACCESSORIES	\$575.00
75555	"BANQUET SPG 21R	
"	\$550.00	
75557	EZ INSTALL KIT BRS T&S CHI KRN	\$56.00
75564	BANQUET SPG 16R	\$384.00
75568	POT FILLER SVB 60 ASSY	\$699.00
75570	POT FILLER SVB 96 ASSY	\$895.00
75571	GLASS FILLER SVB 60 ASSY	\$699.00
75572	GLASS FILLER SVB 96 ASSY	\$892.00
75573	POT FILLER SVE 60 ASSY	\$699.00
75574	POT FILLER SVE 96 ASSY	\$770.00
75575	GLASS FILLER SVE 60 ASSY	\$699.00
75576	GLASS FILLER SVE 96 ASSY	\$767.00
75577	UTILITY SPRAY SVB 60 ASSY	\$699.00

ITEM #	ITEM DESCRIPTION	PRICE
75579	UTILITY SPRAY SVB 96 ASSY	\$699.00
75580	UTILITY SPRAY SVE 60 ASSY	\$699.00
75581	UTILITY SPRAY SVE 96 ASSY	\$780.00
75588	SPRAY 13/16-27M PER 0.50 GPM	\$16.00
75594	PRE-RINSE SPG 16R 7 PLUS	\$378.00
75595	PRE-RINSE SPG 21R 7 PLUS	\$406.00
75596	SS PRE-RINSE SPG 16R 7 PLUS	\$447.00
75597	SS PRE-RINSE SPG 21R 7 PLUS	\$446.00
75598	PRE-RINSE SLP 04R 7 PLUS	\$345.00
75599	PRE-RINSE SLP 10R 7 PLUS	\$353.00
75600	SS PRE-RINSE SLP 04R 7 PLUS	\$402.00
75601	SS PRE-RINSE SLP 10R 7 PLUS	\$415.00
75602	PRE-RINSE SVL 25R 7 PLUS	\$396.00
75603	PRE-RINSE SVL 31R 7 PLUS	\$368.00
75613	QUICK DISCONNECT	\$409.00
75625	SUPPLY LINE 1/2F X 1/2F X 36 2 EACH	\$100.00
75626	HANDLE KIT WRIST 2 EACH	\$100.00
75636	TAILPIECE 1 1/2 X 4 CR SA	\$35.00
75637	DRAIN WS 1 1/2 X 1 1/2 BRS CR SA	\$44.00
75648	O-RING CERAMIC DECK BASE	\$4.00
75655	SS HOSE / PIPE CHEMICAL TEE W/ COVER	\$85.00
75670	REPAIR KIT STAINLESS STEEL REELS	\$164.00
75673	HOSE / PIPE CHEMICAL TEE	\$54.00
75697	GASKET DRAIN FLANGE BOTTOM	\$5.00
75698	SCREW SHEET METAL 10 X 3/4	\$5.00
75708	ADPTR DRAINING STOP BRS CR	\$20.00
75709	ADPTR DRAINING OVERFLOW BRS	\$30.00
75710	ADPTR DRAINING OVERFLOW BRS CR	\$40.00
76899	FLANGE ECCENTRIC 3/4 304	\$14.00
77860	3/4 SPOUT 12SGN	\$142.00
80691	FAUCET 4BSEWH 06SGN	\$408.00
81345	REEL RINSE WHITE CVD CEILING 30 FT US	\$2,123.00
81361	DRAINING FLAT STRAINER VR BRS	\$338.00
81930	INLET FITTING ASSY 3 GASKETS	\$38.00
82252	HOSE PR W/O SS 96	\$145.00
82260	UTILITY SPRAY HAS 96 W/O SS	\$360.00
8250-2300	FLANGE WALL BRACE POL CR	\$44.00
8250-3300	ADJUSTER ROD 2 1/2 BRS POL CR	\$50.00
8250-3302	BRACKET ROD 10 3/4 BRS POL CR	\$62.00
8253	FAUCET 8AWZLH 06SRV	\$416.00
8254-7000	SCREW MACHINE 10-32 X 1/2 PHIL OVAL	\$3.00
8261	FAUCET 8SAWLH 06SRV	\$609.00
82767	CLOSE NIPPLE 1/2 BRS 20 EACH	\$254.00
82775	CLOSE ELBOW 1/2F BRS 20 EACH	\$477.00

ITEM #	ITEM DESCRIPTION	PRICE
83895	GLASS STATION 14PED	\$372.00
83941	PRE-RINSE SPG 8TBSLH 12SS 7 PLUS	\$818.00
84018	CTL VLV 8TBSLH RIG CK	\$338.00
84085	DRAIN WS 1 X 2 BRS KIT	\$31.00
84093	DRAIN WS 1 X 4 BRS KIT	\$55.00
88315	FAUCET ADDONLH 2R 12SS	\$151.00
88854	PRE-RINSE SPG 8DLH 16R AXIA	\$633.00
89494	GLASS STATION 12PED	\$408.00
89613	SS STEM ½ SWIVEL LH FLAT KIT	\$39.00
89621	SS STEM ½ SWIVEL RH FLAT KIT	\$40.00
9031	CLOSE NIPPLE ½ X 2 3/8 BRS	\$37.00
9033	GLASS FILLER HEAD FLARE	\$146.00
9041-9001	AERATOR SWIVEL RS/2.20 GPM	\$78.00
9045	PRE-RINSE SVL 8ABSLH	\$816.00

ITEM #	ITEM DESCRIPTION	PRICE
9048-5000	GASKET SCRUB	\$6.00
9048-5401	SCREEN FLAT SPRAY SS	\$31.00
9085	FAUCET SBSXH SPRAY	\$233.00
9102	FAUCET 8AWLH 16SS	\$287.00
9119	FAUCET CHLH 12SS	\$236.00
9131	FAUCET BBS 06RGN PER 2.20 GPM	\$119.00
9171	FAUCET 8ABSLH 12SS	\$305.00
97365	GLASS FILLER HAS 60 W/O SS	\$259.00
97993	PRE-RINSE SPG 16R	\$400.00
98094	FAUCET ECONO 8AWLH 12SS	\$204.00
98108	FAUCET ECONO 8AWLH 16SS	\$205.00
99546	HOSE RR FG 3/8M X 3/8F X 12 FT	\$124.00