



H+K INTERNATIONAL

2021-2022

CATALOG





CONDICIONES Y RESTRICCIONES

Estimado cliente, aquí encontrar toda la información necesaria para realizar su pedido:

SOLICITUD DE COTIZACION:

Puede escribirnos a pedidos@cnscolombia.com, para hacer su pedido con uno de nuestros Representantes de Servicio al Cliente. También puede usar nuestro canal de WhatsApp **313 473 43 01**.

Nuestro horario de atención es de lunes - viernes, 7 am – 4 pm hora central

Los tiempos de respuesta normalmente están alrededor de 24 a 48 horas

A través de nuestros canales de atención podrá solicitar todo lo relacionado a suministros operativos y de mantenimiento.

RECEPCION DE ORDENES DE COMPRA:

Por favor realizar el envío de las órdenes de compra firmadas y selladas **solo al siguiente correo pedidos@cnscolombia.com**, por favor tener en cuenta que solo las ordenes enviadas a este correo se podrán garantizar como recibidas por nuestra área comercial, no existe otro correo para el envío o recepción de órdenes de compra.

No enviar órdenes de compra al WhatsApp o a la línea de mantenimiento, ya que no se podrá garantizar la correcta recepción de la misma, solo usar el canal indicado de correo donde podremos tener una trazabilidad de información de la misma.

ENVIOS:

Los envíos de las ordenes se podrán realizar parcialmente de acuerdo con la disponibilidad de inventario, en la mayoría de los casos los pedidos se van completos con los productos solicitados.

Los tiempos de entrega están estimados de 1 a 3 días desde la confirmación del recibido de la Orden de compra, para las ciudades puede tomar de 3 a 5 días para la entrega.

Una vez recibida la orden de compra, en las próximas 24 a 48 horas recibirá un correo con información de su pedido, donde encontrara producto enviados, guía y fecha de envío y estado de la orden si fue despachado parcial o completo esta información llegara desde el correo logistica@cnscolombia.com

Los pedidos u ordenes parciales son todas aquellas que los productos se deben solicitar bajo modalidad de importación y los tiempos de entrega pueden estar alrededor de 25 a 45 días en algunos casos los tiempos pueden ser superiores a 60 días, según disponibilidad de fabrica en USA. Si en algún caso usted no desea el envío parcial, debe informarlo previamente en el correo de su orden de compra.

pedidos@cnscolombia.com



313 473 43 01



GARANTIA Y DEVOLUCIONES:

Para garantía o devolución de productos debe comunicarse con nosotros vía correo electrónico y adjuntar la mayor información posible y evidencia fotográfica, en la que nos manifieste la solicitud del cambio, estas solicitudes, estarán sujetas a verificación por parte de fábrica y la recepción del correo no garantiza que se pueda aplicar garantías en todos los casos. Una vez verificada y aprobada o no la garantía se enviará respuesta al mismo correo de la solicitud e instrucciones para aplicarla.

Los productos que se dañen por mala manipulación, mal uso, procedimiento inadecuado, falla eléctrica en equipos, etc. No estarán vinculados para cambio. Las partes eléctricas o repuestos mal instalados, tampoco tienen garantía.

Los productos para cambio se deberán solicitar en un tiempo máximo de 8 días, desde la fecha de recepción del pedido.

POLITICA DE PRECIOS:

Para los precios establecidos en la cotización tendrán un tiempo de validez de 8 días calendario, ya que pueden surgir cambios de precios gradualmente, según determine fábrica o factores del mercado.

Cualquier información con gusto sería atendida en los canales de atención antes indicados.





Drive thru window protective panels
Self-install
Includes mounting accessories



HK# 90061
W/O speak thru device
23" W x 27" H

HK# 90059
With stainless steel speak thru device
23" W x 27" H

HK# 90050
W/O speak thru device (long version)
48" W x 24" H



HK# 90049
Hanging protective panel kit
59"W x 24"H



HK# 90100
Door opener (foot pull)



HK# 90076
Hands free arm pull door opener



HK# 90123
Box holder for Disposable gloves



HK# HK050
Hand sanitizer stand
54" H; 20" x 20" base plate

HK# ITX-CSP
Hand sanitizer dispenser
Sanitizer dispenser
Not included with stand



HK# HK053
54" floor stand for automatic hand sanitizer dispensers



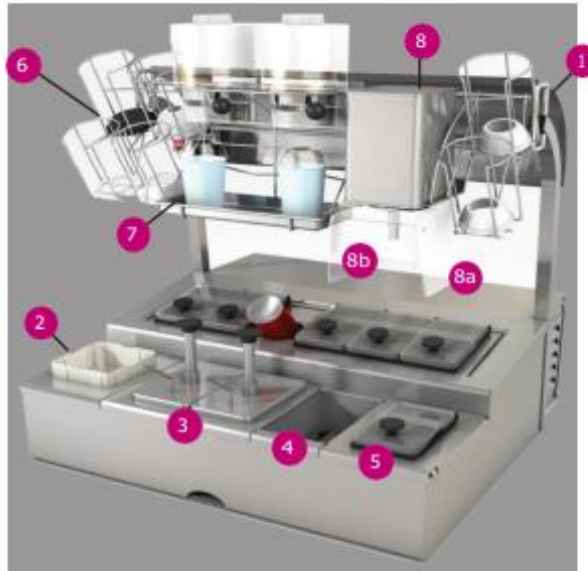
HK# KAY53002075
Hand sanitizer dispenser, kiosk

Contact H+K for the latest in Social Distancing products



BDAP Interior Wall Layout

Item	HK#	Description	Page #
1	INMMCD1430-BLZM FRS8213963-1	BLZ main table w/ overshelf, dimensions: 14.25"W x 30.25"x 36"H	4.9
		Set of 3 BLZ mats	8.10
2	82138.01E.US HKN525-H	30" Finishing station, 120V, shown with finishing station smallwares kit	N/A N/A
3	VIT056393	Vitamix Advance Blender	2.26
4	83108 84006 83109	Refill rail Taylor	N/A
		Refill rail Taylor 8634	N/A
		Refill rail Carpigiani	N/A
5	83151	Printer bump bar bracket	N/A
6	FRS27800513	4-Cup housing, 2-cone dispenser kit	2.32
7	H-5-57-17	Monitor mount	N/A
8	77176	Lid holder dimensions: 4.25"W x 4.5"D x 8"H	2.18
9	82013	3 cup vertical housing	2.25
10	STM1R-2HS-HC -MCD1 BEVHR1HC-1HS TRAG10000-032MC1	True reach-in refrigerator, dimensions: 27.5"W x 33.75" x 84.25"H, with 5" casters	N/A
		Beverage Air reach-in refrigerator, dimensions: 27.5"W x 33.75" x 84.25"H with 6" casters, Energy Star qualified	4.42
		Traulsen reach-in refrigerator, dimensions: 30"W x 35"D x 83.25"H with 6" Casters, Energy Star qualified	4.44
11	ABSX82749 83156	Sump cover - Taylor dimensions: 9"W x 21.5"D x 4.5"H	N/A
		Sump cover - Carpigiani	N/A
12	84225.01P	Base refrigerator, 120V	N/A
13	83153	Drain kit	N/A

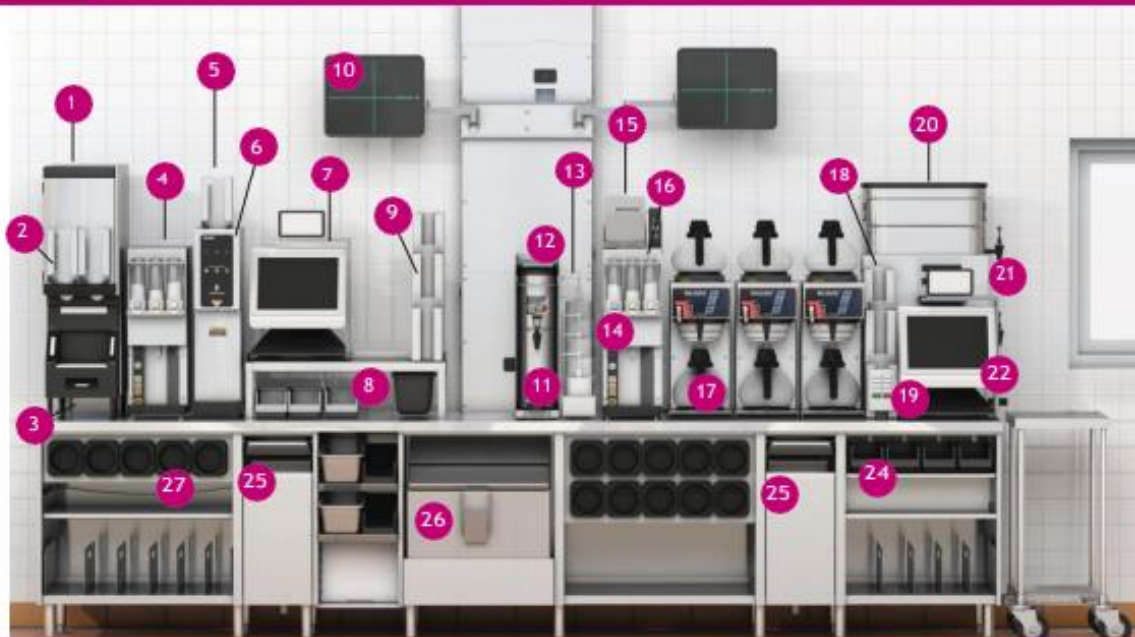


BDAP Finishing Station Components

Item	HK#	Description
1	82138.00A.013	Beauty panel
2	85165 82138.01E.28A	Next generation cone dipper (for finishing station only) Blank off cone dipper (stand alone operation)
3	84237.01E	Pump, heated rail, dual
4	82138.22B	Drizzle holder bracket
5	82138.41A	Template, 1/9th pan
6	FFS19006019	Lid holder 2X, profile
7	H-18-354	Candy dispenser bracket, Taylor
8	VIT061825	Vitamix advance blender
8a	VIT058945	Body clear
8b	VIT058944	Face clear

Finishing Station Smallwares Kit. Includes:

- 9 **HKN525-H**
- (3) FFS27801607 White narrow condiment pan
 - (2) FFS27801670 Orange narrow condiment pan
 - (2) ABS036574 Stainless steel syrup dispenser jar
 - (1) FFS27800545 #70 orange handled disher for Reese's
 - (2) VOR58510 1.0 ounce straight handled stainless steel ladle with 10" handle
 - (1) FFS27800773 .5 ounce stainless steel ladle with 6" handle
 - (2) SER82951 Topping pump for caramel & chocolate
 - (2) SER88798 Slimline dispenser w/ yellow base for McFlurry toppings
 - (1) FFS27802463 Finishing station slimline dispenser bracket
 - (2) SER88845 4 pack of .82 ounce yellow bases



BDAP Exterior Wall Layout

Item	HK#	Description	Page #
1	TAYC00912K000A BUN57000.0100	Dual flavor beverage dispenser Bunn orange juice dispenser	2.18
2	77176	Lid holder, for TAYC00912K000A dual flavor beverage dispenser, mounting kit (TAYX65742) sold separately, dimensions: 4.5" W x 4.5" D x 8" H	N/A
3	83149	Juice bracket	N/A
4	SILSK2	Cream dispenser, Silver King, w/ 4" legs, sweetener dispensers sold separately, (FFS27800644) dimensions: 9" W x 16.5" D x 25.5" H	2.13
	ACDAC110-PC-51-SC	SureShot single cream dispenser 9.5"W x 17.5"D x 27" H	2.13
5	77176	Lid holder, for TAYC00912K000A dual flavor beverage dispenser, mounting kit (TAYX65742) sold separately, dimensions: 4.5" W x 4.5" D x 8" H	N/A
6	BUN02500.0016 BUN39100.0006 BUN02497.0000	2 Gal. hot water dispenser dimensions: 7.1"W x 14.3"D x 24"H 5 Gal. hot water dispenser dimensions: 7"W x 12.75"D x 28.5"H Drip tray 5 gal.	N/A 2.17 2.17
7	83152	Monitor bracket	N/A
R	HKN323	31" Medium riser shelf kit, includes (1) #H-18-333, pan holder, 1/3 sz (2) #CM1102-03, cold pan, 1/3 sz, black, (1) #4009055-1, condiment bin dividers,	R.33
9	FFS27800511	3 Tier lid holder, single wide, dimensions: 4.5"W x 14"D x 22"H	2.25
10	H-5-57-17	Monitor mount	4.10
11	78269 BUN39600.0084	Narrow beverage stacker, stainless steel, dimensions: 19"W x 6"D x 24"H TDO-N slim line dispenser, with feet, dimensions: 6.10"W x 23.5"D x 21"H	2.12, 2.15 2.12, 2.15
12	BUN39600.0085	TDO-N low profile slim line dispenser, dimensions: 6.10"W x 23.30"D x 12.20"H	2.12, 2.15
13	PROWR403	5 Tier syrup rack bottle, holder, dimensions: 18"W x 5"D x 15.5"H	2.6





CBB Layout

Item	HK#	Description	Page #
1	MULMA-8-2	Manitowoc blended ice machine	2.33
2	BEVWTR27AHC-SR	BevAir worktop refrigerator, for specialty coffee, 5" casters, right hand hinge, single door, holes for milk lines, whipped cream holder and syrup rack sold separately, 27" W x 29.25" D x 36.5" H	4.47
3	CAF26126	Melitta/Cafina specialty coffee machine, weight: 148 lbs, voltage: 220V 12.5" W x 25.25" D x 32" H, plug configuration: L6-30R	2.7
4	78107	Dome lid/bump bar bracket, 12" W x 12" D x 6" H	4.10
5	79095	3 Cup housing, vertical mounted cabinet, includes (3) FRS27020452-1 adjustable cup dispensers, s/s, 6" W x 19.5" D x 17.25" H	2.25
6	BEV00B27S142D-01	Speedrail conversion assembly, for WTR27A-SR refrigerator	N/A
7	77175	Lid holder, for TAYC00912K000A dual flavor beverage dispenser, mounting kit (TAYX65742) sold separately, 4.5" W x 4.5" D x 8" H	N/A
8	TAYC00912K000A BUN57000.0100	Dual flavor beverage dispenser Bunn orange juice dispenser	2.18
9	77176	Lid holder, for TAYC00912K000A dual flavor beverage dispenser, mounting kit (TAYX65742) sold separately, 4.5" W x 4.5" D x 8" H	2.18
10	BUN39600.0084	Slimline dispenser, model TDO-N, 21" H, 4 gal., includes drip tray, 6" W x 26.25" D x 21" H	2.12, 2.15
11	TOM1011162	Faucet assembly, self closing, black and orange, for model TDO-4, TDO-N and TDON-LP dispensers, used for decaf iced coffee	2.12
12	BEVUCR27AHC-23-53	Undercounter refrigerator, Beverage Air, with 3" casters, s/s, reversible hinges, dimensions: 27" W x 29.25" D x 31.5" H	4.50
13	77452	Screw mount spoon holder, w/ waste can, attaches to undercounter refrigerator without shoulder mounts on front door, 5.75" W x 17" D x 9.5" H	4.51
14	79244-P	Drive thru table, with plastic ice bin and 6 cup tube holes, 63" W x 30" D x 34" H	N/A
15	87077.01P	Bottled Beverage Refrigerator (BBR), wall mount, 22" W x 36" D x 37.25" H	4.42
16	PROWR403	Syrup bottle rack, 5 tier, (syrup bottles not included), 5" W x 18" D x 15.25" H	2.6
17	77176	Lid holder, mounts to the front of TAYC00912K000A juice machine, order mounting kit TAYX65742 - sold separately, 4.5" W x 4.75" D x 8" H	2.17
18	SILSK2	Cream dispenser, Silver King, w/ 4" legs, sweetener dispensers sold separately, 9" W x 16.5" D x 25.5" H	2.13
19	FFS27800644	Sweetener dispenser kit, includes: (1) FFS27800372, white sugar dispenser; (1) FFS27800373, yellow Splenda dispenser; (1) FFS27800374, blue Equal dispenser; (1) FFS27800643, dispenser holder bracket	2.14
20	BUNSET00.0883 WCCG4GEMXSIFTR10A BUN51100.0109	AXIOM BrewWISE Coffee Brewer Curtis Satellite Brewer Bunn Satellite Brewer	2.2
21	BUN39600.0084	Narrow beverage stacker, stainless steel, dims: 19"W x 6"D x 24"H	2.12, 2.15
22	BUN39600.0085	TDO-N low profile slim line dispenser, dims: 6.10"W x 23.30"D x 12.20"H	2.12, 2.15
23	79243	High capacity ice bin, plastic, 1.9 cubic feet, includes telescoping lid, ice bin, false bottom and ice scoop holder. Ice scoop sold separately.	N/A





HD Prep Table Layout

Item	HK #	Description	Page #
1	BEVRID18HCHGS26BO	Beverage-Air refrigerator, single section, pass-thru, glass top door, s/s bottom door, right hand hinge, 3" casters, voltage: 115V, plug configuration: pin & sleeve, dimensions: 27.25" W x 29.5" D x 72.25" H (Shown) Traulsen and True models also available.	4.43
2	63602	Double wide Q-ing table, 3-Tier, s/s, w/ casters, dimensions: 46" W x 29.25" D x 41.5" H	4.2
2A	AMAMC23MP	Amana MenuMaster Q-ing oven, voltage: 208-240V, plug configuration: pin & sleeve, dimensions: 19.25" W x 26.25" D x 20.25" H	4.25
3	77125	H+K bun saver cart, dual sided, (5) compartments with doors, (3) shelves, dual access, s/s, dimensions: 30" W x 26" D x 67.25" H	8.7
4	80224	High density toaster table with power receptacles, s/s, (1) 208-250V, 30 amp, 3-phase receptacle; (1) 208-250V, 30 amp, single phase receptacle; (2) 250V, 30 amp, pin & sleeve power cord with 1/4 NPT; (2) braking and (2) non-braking 4" casters, dimensions: 52" W x 34" D x 63" H	4.2
4A	ANT-HRT-5H	Antunes Universal Toaster, voltage: 208V, plug configuration: pin & sleeve, dimensions: 25.75" W x 31.75" D x 19.75" H	4.30
	ANT-HCT-5H	Antunes Club Toaster, voltage: 208V, plug configuration: pin & sleeve, dimensions: 29.5" W x 9.25" D x 25" H	4.30
	PCCIRT-SB-NA-1PS PCCCBT-SB-NA-1PS	Prince Castle Universal Rapid Toaster, voltage: 208V, plug configuration: pin & sleeve, dimensions: 33" W x 27.25" D x 17.25" H	4.30
4B	PCC625-MFYC	Prince Castle Bun Steamer, voltage: 220V, plug configuration: pin & sleeve, dimensions: 14.25" W x 16.5" D x 9" H	4.32
	ANTSS-400TT	Antunes Bun Steamer, voltage: 208V/250V, plug configuration: pin & sleeve, dimensions: 7.25" W x 27" D x 8" H (Shown)	4.32
5	HCPPT504.01P	75" High Density Prep Table, dual sided, w/ Energy Star refrigerator, includes: (2) wrap holders, 12.5" x 12.3125"; (4) wrap holders, 12.5" x 11.3125"; (1) Squeeze bottle holder, dual sided; (2) Top shelf wrap holders; (1) Dual sided sauce gun holder; (1) Bump bar bracket assembly; (2) Scrap pan quides; (1) Large box holder assembly voltaaq: 120V, plug configuration: pin & sleeve, dimensions: 75.25" W x 34" D x 51.25" H	N/A
6	80057 80056	High Density Heated UHC Table with power receptacles, dual sided, holds (2) HD UHC's, Includes: (1) FFS27800900 - Utensil tray and condiment holder, (6) 80057.05A - 3-drawer paper wrap holders, (1) Scrap pan holder, (3) 208-250V pin & sleeve receptacles, (2) 115-125V pin & sleeve receptacles and (1) 125V NEMA Duplex Receptacle Voltage: 115-125V, plug configuration: pin & sleeve, dimensions: 51.5" W x 38" D x 41.25" H	4.18
6A*	PCCUHC6PT-22MCD	Prince Castle High Density UHC, 6 shelf, 18-slot, voltage: 208V, plug configuration: pin & sleeve, dimensions: 22" W x 25.25" D x 22.5" H	4.26
	FUHCTHD6TP	Frymaster High Density UHC, 6 shelf, 18-slot, voltage: 208V, plug configuration: pin & sleeve, dimensions: 22" W x 25.5" D x 24.25" H	4.26
	FUHCTHD6TT	Frymaster High Density UHC, 6 shelf, 18-slot, voltage: 208V, plug configuration: twist lock, dimensions: 22" W x 25.5" D x 24.25" H	4.26



HD Prep Table Accessories

Item	HK #	Description	Page #
1	PCC333-OS8 PCC333-2W4	Prince Castle High Density wire box holders, includes: (2) PCC333-OS8 place holder, 2 high x 2 wide, dual sided; (1) PCC333-2W4 - 4 place box holder, 1 high x 2 wide, dual sided	4.6 4.6
2	FFS27807623 FFS27807766 FFS27807767 FFS27807768 FFS27807920	Cartridge Assembly for Next Gen Sauce Dispenser Red Handle Assembly for 1/3 Oz Next Gen Sauce Dispenser White Handle Assembly for 1/2 Oz Next Gen Sauce Dispenser Green Handle Assembly for 2/3 Oz Next Gen Sauce Dispenser Next Gen Sauce Dispenser Holder for MFY Prep Table	3.21
3	PCC406-AN PCC398-CN PCC417-AN	Dispenser, narrow ketchup, plastic, dimensions: 14.5" W x 9.5" D x 4.5" H Dispenser, narrow mustard, plastic, dimensions: 14.5" W x 9.5" D x 4.5" H Dual base holder, holds narrow condiment dispensers, dimensions: 8" W x 7.25" D x 4.5" H	3.23 3.23 3.23
4	HKEH-18-342	FIFO bottle holder, dual sided, holds (16) bottles, (8) on each side, sits on prep table	3.20
5	SON15061127 SON15061130	Full sized chilled rail pan dimensions: 5.75" W x 15.75" D x 2.5" H (ivory) Half sized chilled rail pan dimensions: 3" W x 15.75" D x 2.5" H (ivory)	3.6 3.6
6	CAM42PP190 CAM82PP190 CAM64PP190 CAM94PPMD190	¼ sz. translucent pan dimensions: 6.5" W x 11" D x 2.5" H ⅓ sz. translucent pan dimensions: 3" W x 11" D x 2.5" H 1/6 sz. translucent pan dimensions: 6.25" W x 6.75" D x 4" H 1/9 sz. translucent pan dimensions: 4.25" W x 6.75" D x 4" H	3.3 3.3 3.3 3.3
7	CAM22PP190	Half sized translucent pan, dimensions: 12.75" W x 10.5" D x 2.5" H	3.3
8	80057.06A 80057.05A	Paper wrap holder, dimensions: 12.5" W x 11.5" D x 6" H Paper wrap holder, used for angus snack wrap program & optional for 80057 & 80056 prep tables. 12.5" W x 12.25" D x 6" H	4.5 4.5
9	90016-M FIFCB165330-300-1	Bottle warmer Butter Squeeze Bottle	4.6

High Density UHC Table Accessories

Item	HK#	Description	Page #
10	CAM66PP190	Pan, 1/6 sz., 6" D, translucent	3.3
11	80090	Utensil tray and condiment holder	4.7
12	80057.05A	Paper wrap holder, (2) shown for viewing of scrap pan	4.5
13	H-20-36N	Caster, swivel, no brake	6.31
14	H-20-37N	Caster, swivel, with brake	6.31
15	RUB2955BLACK	Wastebasket, black	6.24
16	CAM32PP190	Scrap Pan, 1/3 sz., 2.5" D, translucent	3.3



Optimized Prep Line

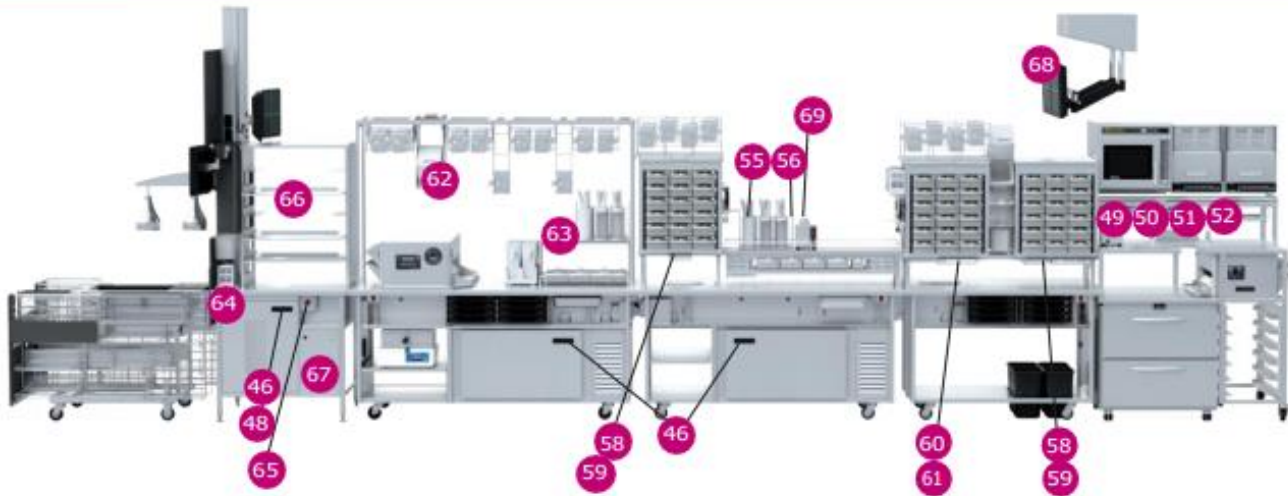
Item	HK #	Description
1	90000	OAT, 48" x 48"
2	87119	Décor panel, OPL, ST Mesh
3	CARCM1102-02	Cold pan
4	87131	Lanyard
5	66070	Retainer plate
6	H-5-57-17	Monitor arm
7	HATDLH500120ULSTG	Heat lamp
8	RAW375	Bulb
9	88266	ECU table
10	H-18-405	Paper wrap
10a	H-18-381	Plastic tray
10b	H-18-379	Wire frame holder
11	87032.21A	Box holder, 1 wide x 2 tier
12	87032.12A	Box holder, 2 wide x 1 tier
13	ANT-HC-5H PCCCBT-SB-NA-1PS	Toaster, contact, Antunes Toaster, contact, Prince Castle
14	ANT-HRT-5H PCCIRT-SB-NA-1PS	Toaster, radiant, Antunes Toaster, radiant, Prince Castle
15	PCC625-MFYC	Steamer, Prince Castle
16	88143	Prep cell, high volume
17	QCPF52C2730UVKECU	Conveyor, front
18	FFS27807766	Red Handle Assembly for 1/3 Oz Next Gen Sauce Dispenser
19	FFS27807767	White Handle Assembly for 1/2 Oz Next Gen Sauce Dispenser
20	FFS27807768 FFS27807623	Green Handle Assembly for 2/3 Oz Next Gen Sauce Dispenser Cartridge Assembly
21	QCPF52B2578UVKPRP	Conveyor, rear
22	88136	Prep table
23	87097, 13"/88136.12A, 16"	Flex hub
24	87034	UHC tool holder, side mount
24a	87034.01B.002	Nugget scoop holder
24b	87034.01A.008/009	Bump bar holder, RH/LH
25	87033, 13"/ 90015, 16"	Static hub
26	89055	Chilled rail



Optimized Prep Line

Item	HK #	Description
27	89084	Breakfast table
28	HCPPTB.01P	Prep refrigerator
29	AMAMC23MP/AMAMC23MPT	Q-ing oven
30	88275	2 Drawer refrigerator
31	PCC333-4W8	Box holder, UHC
32	PCCUHC6PT-22MCD FUHCTHD6TP FUHCTHD6TT	UHC, Prince Castle UHC, Frymaster UHC, Frymaster
33	80090	Bottle/cheese holder, between UHC
34	PCC333-P2UHC	Bracket, printer
35	CAM22PP190	1/2 Size Pan
36	FFS4009055-1	Condiment bins
37	PCC333-002S	Adjustable box holder
38	SON15061127 SON15036963 SON15061130 SON15036965	Pan, CR, full sz. Lid, CR, full sz. Pan, CR, half sz. Lid, CR, half sz.
39	SON15091181 SON15036968	Insert, chilled rail pan Spoon, 1/2 oz., CR
40	PCC406-AN PCC398-CN PCC417-AN	Dispenser, ketchup Dispenser, mustard Dual base holder
41	RUB2955BLACK	Waste basket
42	CAM66PP190	1/8 Pan
43*	82671.01E	A bag holder, 5" wide
44*	82671.01G	B bag holder, 7" wide
45*	82671.01F	C bag holder, 8 5/8" wide
46*	H-5-13	Handle
47	H-18-296	Syrup rack (see page 11)
48*	H-1-0	Magnet (inside door)
49	H-18-402	1/2 sz. pan holder

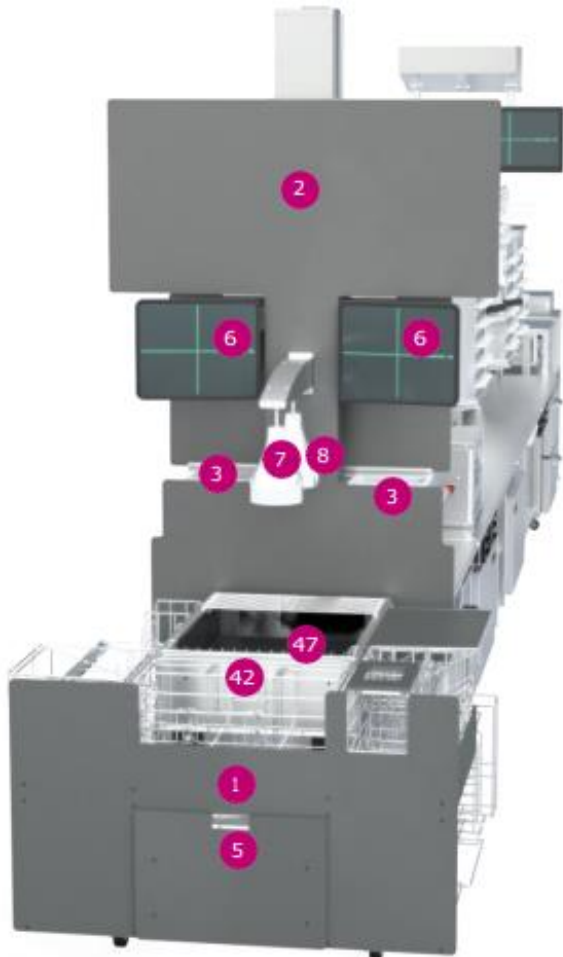
* Item for legacy OAT HK# 87239 only.



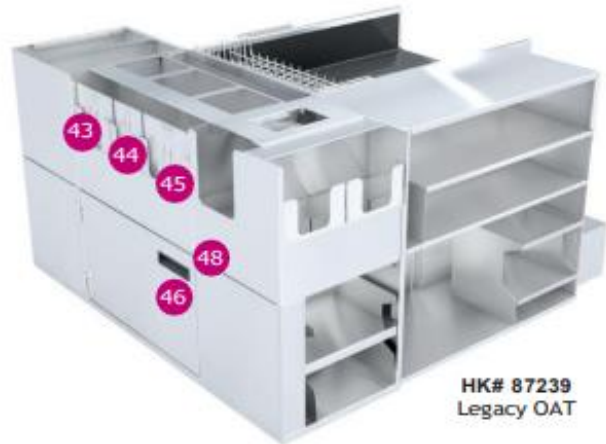
Optimized Prep Line

Item	HK #	Description
50	H-18-401	Biscuit Q-ing pan holder
51	H-18-333	1/3 sz. pan holder
52	H-18-400	1/3 sz. baking tray holder
53	86000.00A.003	Lids/bases bracket
54	86000.12A.001	Bun storage 2 tier
55	FFS27807623 FFS27807766 FFS27807767 FFS27807768 FFS27805227	Cartridge Assembly for Next Gen Sauce Dispenser Red Handle Assembly for 1/3 Oz Next Gen Sauce Dispenser White Handle Assembly for 1/2 Oz Next Gen Sauce Dispenser Green Handle Assembly for 2/3 Oz Next Gen Sauce Dispenser 3 Place Mounting Rack with Drip Tray for OPL
56	87125.22A	Squeeze bottle holder
58	86156.08B.002	Tool tray, small
59	86156.08B.001	Tool tray holder, small
60	86156.08A.003	Tool tray large
61	86156.08A.002	Tool tray holder, large
62	86155.02A	Printer hanging bracket
63	FFS27805228	6 Place Mounting Rack with Drip Tray for OPL
64	87129.02A	Printer/bump bracket
65	E-01-26-1	Emergency stop button
66	87031.02D	Double side bun shelf
67	KBV210403654	Steamer hose kit
68	87141	Overhead OEP/IG monitor, OPL
69	90016-M FIFCB165330-300-1 HKEHK18130	Bottle warmer Butter Squeeze Bottle Brush, OPL, blue
	87034.01A.009	Bump bracket, left

* Item for legacy OAT HK# 87239 only.



HK# 90000
Current OAT



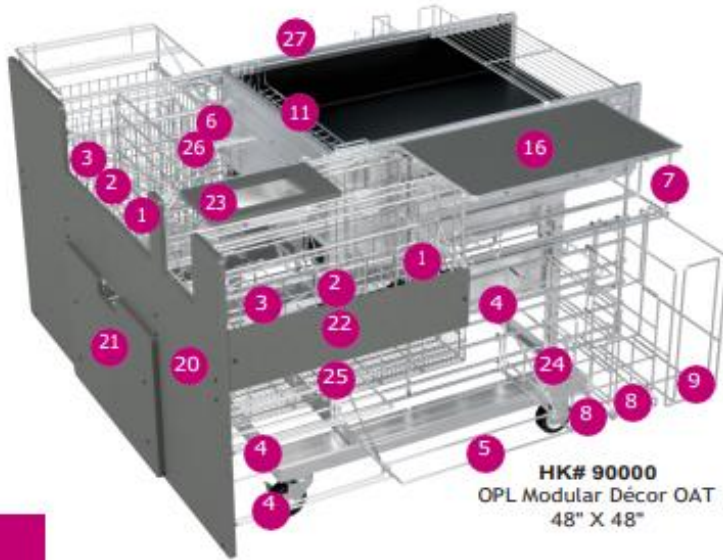
HK# 87239
Legacy OAT

Optimized Prep Line-End View

Item	HK#	Description
1	90000	OAT, 48" x 48"
2	87119	Decor panel, OPL, ST mesh
3	CARCM1102-02	Cold pan
6	H-5-57-17	Monitor arm
7	HATDLH500120ULSTG	Heat lamp
	HAT02.30.041.00	Socket only for heat lamp
8	RAW375	Bulb
42	CAM66PP190	1/8 pan
47	H-18-296	Syrup rack

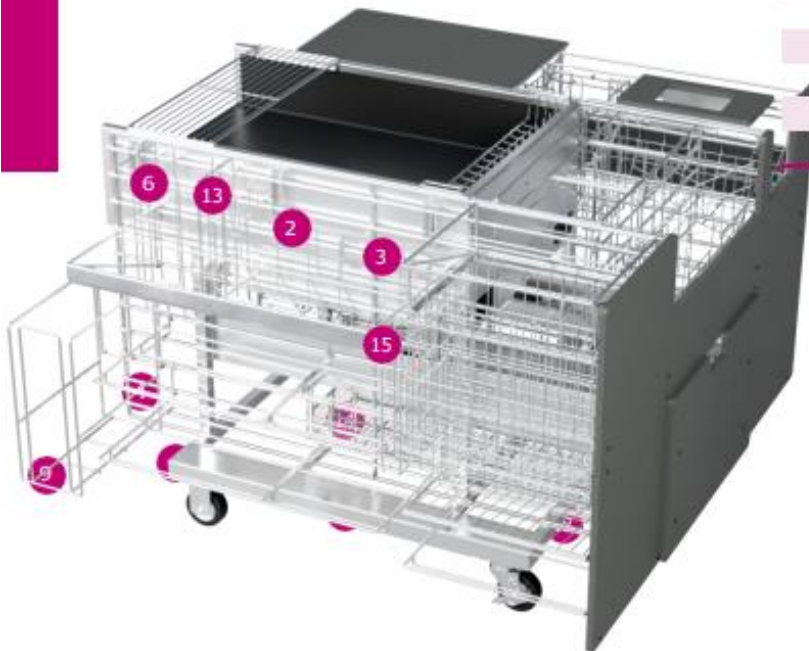
OPL Legacy OAT (HK# 87239) Only

Item	HK#	Description
43	82671.01E	A bag holder, 5 1/4" wide
44	82671.01G	B bag holder, 7" wide
45	82671.01F	C bag holder, 8 5/8" wide
46	H-5-13	Handle
48	H-1-0	Magnet
	83553.01B	Door, OAT
	87129.01B	Crumb tray, conveyor



HK# 90000 OAT

Item	HK #	Description
1	H-101-4	A Bag
2	H-101-5	B Bag
3	H-101-6	C Bag
4	H-101-3	3 Cambro shelf
5	H-101-24	Tray shelf
6	H-101-9	Napkins
7	H-101-16	Upper tray shelf
8	H-101-11	Delivery shelf
9	H-101-10	HM shelf
10	H-101-22	HLA shelf
11	H-18-296	Syrup rack
12	H-101-15	Salad bag
13	H-101-7	A Bag small
14	H-101-2	2 Cambro shelf
15	H-101-8	Double bag
16	90000.0002	Tray surface
17	H-101-13	Toy holder
18	H-101-36	Flat box holder
19	H-101-17	Sticker roll holder
20	90000.0005	OAT front panel
21	90000.3000	Drawer basket assembly
22	90000.0001	OAT corner module
23	90000.0003	OAT bump bar surface
24	H-101-12	4 Pan holder
25	H-101-18	Corner module
26	H-101-14	Front module
27	H-101-20	4 Pan shelf



Optional Accessory



HK# H-18-296
Hot cake syrup rack
24.62" W x 3.36" D x 3" H

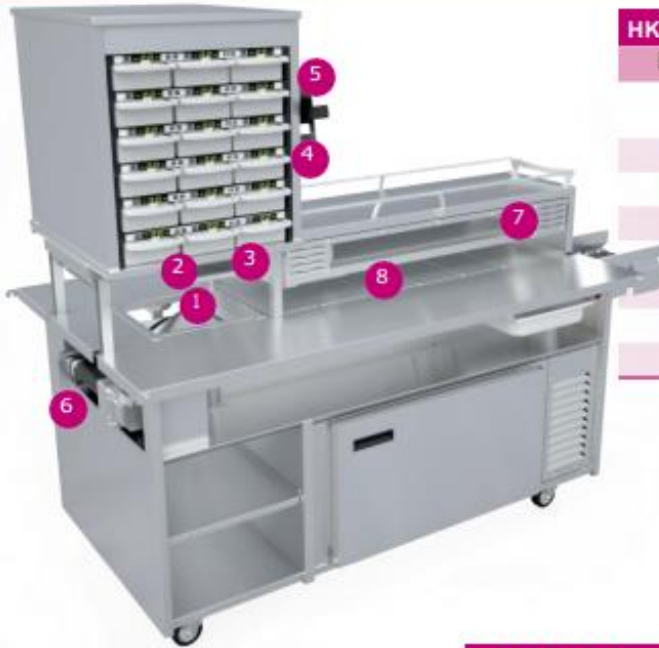
HK# 88266 ECU

Item	HK #	Description
1	87119	OPL Décor Panel OPL ST Mesh
2	H-5-57-17	Monitor arm
3	HATDLH500120ULSTG	Heat lamp
4	RAW375	Bulb
5	87129.02A	Printer/Bump bar bracket
6	E-01-26-1	Emergency stop button
7	87031.02D	Double sided bun tray shelf
8	KBV210403654	Steamer hose kit
9	QCPF52C2730UVKECU	Front conveyor
10	87129.00A.001	Upper main support
11	88266.11A.001	Bun tray support



HK# 87137 High Velocity Cell

Item	HK #	Description
1	H-18-405	Paper Wrap
2	H-18-379	Wire Frame Holder
3	86155.02A	Printer Hanging Bracket
4	87026.11C	Legacy Sauce Gun Holder
5	86155.04C.003	Sauce Gun Drip Pan
6	86155.04C.002	Overshelf Side Support
7	86155.04D.012	Sauce Gun Plate w/ 3 Holes
8	87026.11A.001	Condiment Pan Holder
9	86151.00A.005	Cover plate



HK# 87146 Premium Cell		
Item	HK #	Description
1	87097, 13" 88136.12A, 16"	Flex Hub
2	86156.08B.002	Small Tong Tray
3	86156.08B.001	Small Tong Tray Holder
4	87034	UHC Tool Holder Side Mount
5	87034.01B.002	Nugget Scoop Holder
6	QCPF52B2578UVKPRP	Rear Conveyor
7	89055	Chilled Rail
8	86151.00A.005	Cover plate



HK# 90015 Universal Holding Cabinet Table		
Item	HK #	Description
1	87033, 13" 90015.7500 16"	Static Hub
2	80090	Cheese Holder Between UHC
3	87034.01A.008/009	Bump Bar Holder RH/LH
4	86156.08B.002	Small Tong Tray
5	86156.08B.001	Small Tong Tray Holder
6	86156.08A.003	Large Tong Tray
7	86156.08A.002	Large Tong Tray Holder
8	H-18-405	Paper Wrap
9	H-18-379	Wire Frame Holder
10	87034.01B.002	Nugget Scoop Holder
11	86151.00A.005	Cover plate

HK# 63602 Breakfast Table		
Item	HK #	Description
1	H-18-402	1/2 Sz. Pan Holder
2	H-18-401	Biscuit Q-ing Pan Holder
3	H-18-333	1/6 Sz. Pan Holder
4	H-18-400	1/2 Sz. Baking Tray Holder
5	86000.00A.003	Lids/Bases Bracket
6	88275/88275-PS	2 Drawer Refrigerator
7	86000	Breakfast table overshef



COFFEE BREWERS

BUNN



HK# BUN51100.0109

Brewer, ICB SH-DV, 120/208-240V

- Digital readout displays in English and Spanish
- Digital readout shows machine status, and targeted advertising
- BUNN Infusion Series technology allows for multiple recipes from one footprint --- with 3 brew buttons and 3 batch sizes
- Exclusive Peak Extraction™ Sprayhead is multi-directional with a 17-hole design
- USB programming capable
- Brew counter keeps track of how many batches are brewed
- New Soft Heat® servers are ergonomic, lighter weight, energy efficient and programmable
- Dual voltage adaptable (Can operate at 120V/15 amp or 120/208-240V/20 amp)
- 153 8oz cups/hr†
- 23"D x 32"H x 12"W
- Server and filters (HK# WCCGEM-6) sold separately



HK# BUN40041.0000
Leg, nickel plated, for ICB
51100/109



HK# BUN3452.0001
Kit, drip tray, single



HK# BUN53452.0000
Kit, drip tray double



HK# BUN32643.0000
Funnel assy, w/inserts



HK# BUN34397.0001
Quick connect assy,
w/adapter



HK# BUN00327.0002
Hose assy, #25FLRX 25QC-5810



HK# BUN27850.0214
Server ICB 15 gallon



HK# BUN27825.0200
Stand, ICB single warming



HK# BUN27875.0200
Stand, ICB twin warming



HK# BUN47306.1003
Sprayhead, kit high
intensity



HK# BUNSET00.0883

AXIOM® BrewWISE Coffee Brewer
with 3 warmers (2 upper, 1 lower)

Voltage: 208V

Weight: 30 lbs

81/2" W x 18" D x 19" H

Plug configuration: twist lock plug

Includes accessory package:

- (2) Regular glass decanters with brown handle and RFID collar assembly
- (1) decaf glass decanter with orange handle and RFID collar assembly
- (1) Water line hose

Replacement parts can be found on page 9.33
Iced coffee dispensers on page 2.12

HK# BUN13255.0005
Leg Kit for coffee brewer

4 Ounces in 4 Seconds!

- Increases flow rate of the existing hot water faucet
- Recommended that the fast flow faucet is only used with 208V Brewers

HK# BUN46629.0001

High Flow Faucet

Conversion Kit

Includes:

- (1) hot water faucet tube assembly
- (1) silicone tube
- (1) hose clamp SNP-10
- (1) hose clamp SNP-12
- (1) instruction sheet



HK# BUN43226.1001

Tube assembly hot water
faucet kit*

*Required for all CDBC brewers
and Axiom BrewWISE units prior
to serial number AXBW009941



CARAFES/DECANTERS-UNIVERSAL WITH LED TIMER



HK# WCCTFT641H026

Thermal carafe with black (regular) lid

HK# WCCWC-56077

Black (regular) lid

- Stand Alone Operation - Curtis TFT requires no connection with the coffee brewer
Works with any brewer
- Twin LED's - Enables you to easily check coffee quality - even from across the room! Includes Wake Up mode, Freshness Indicator, Warning mode, and Time Expired
- 2 Hour Hold Time - Coffee stays fresh and hot up to 2 hours
- Brew-Through Convenience - Brew directly into carafe to maintain temperature and quality



HK# WCCTFT641H026D

Thermal carafe with orange (decaf) lid

HK# WCCWC-56077D

Orange (decaf) lid

CARAFES/DECANTERS-UNIVERSAL WITHOUT TIMER



HK# THETHF19SCLG4MD

Thermos coffee carafe with black and orange freshness indicator dial, cleaning brush included



HK# THE060010208
Stopper kit, with fill level indicator, Regular and decaf timer ring,
For Thermos coffee carafe models BUN4300210000, THETHF19SCLG4MD, THETHF1900, THETHF1900-DEC carafes



HK# WCCWC-56055-101
Lid, orange seamless pour pot

HK# WCCWC-56055
Lid, black seamless pour pot

CARAFES/DECANTERS-REGULAR



HK# BUN42402.0000
Regular glass decanter, 64 ozl, with brown handle (3/pk)



HK# BUN42402.0001
Decaf glass decanter, 64 ozl, with orange handle (3/pk)



HK# BUN43002.0000
Thermos carafe with RFID chip, 64 ozl, with black handle, used with BUNN coffee brewer model BUNSET000883
Includes regular & decaf rings



HK# BUN42931.1000
Collar assy, RFID, BUNN



HK# WCC70217430303
Regular glass decanter, with black handle (3/pk), without Fresh Trac™ receiver



HK# WCC70217430103
Decaf glass decanter, with orange handle (3/pk), without Fresh Trac™ receiver



HK# WCC70517430303
Regular glass decanter, with black handle (3/pk), with Fresh Trac™ receiver



HK# WCC70517430103
Decaf glass decanter, with orange handle (3/pk), with Fresh Trac™ receiver

REVERSE OSMOSIS



HK# EVR-EV9970-38
Reverse osmosis system
23" W x 13 1/2" D x 30" H



- New store standard
- Wall mount
- Blending capability
- No additional storage tank required
- Significant less water waste than traditional systems



HK# EVR-EV979590
Prefilter, E20, 20" with EC210
For use with Everpure reverse osmosis system, filters out large dirt & dust particles, extends life of primary filter cartridges



HK# 3MFSTM-HP
Reverse osmosis system, flashguard hp
12 1/2" Dia x 15 1/2" H

HK# 3M55706-08
Prefilter, sediment/carbon

HK# 3M52-924301
Kit, blending valve upgrade
retrofit kit allows transition from
SGLP2-DUAL RO to SGLP2-BL

HK# ANT7000412
Cartridge, L-440 ultra filtration
Includes O-ring replacement kit

HK# ANT7000669
Element, C-420 carbon, single

HK# ANT7000686
Element, SS-XL scale inhibitor

HK# ANT-9700901
Inhibitor, scale
For ice machines (optional)

CUP TUBE DISPENSER + ACCESSORIES



HK# FRS27800475
Universal adjustable
cup dispenser, black
19 1/2" W x 6 1/2" D x 6 1/2" H

Adjusts between 15" - 25" long,
used for oatmeal, McCafé shakes,
and snack size McFlurry cups,
holds all cups except 42 ozl size



HK# FRS27025152
Splash guard, (3/pack)



HK# FFS27021560
Silicone replacement
tabs, (20/pack)



HK# FFS27025153
Converter ring
for 44 ozl cups



HK# 65298
Adapter ring
for conversion of 32 ozl
hole to standard size hole



HK# C1100-42A
Coverplate, for center island
cup dispenser holes
Fits any standard cup size including 32 ozl



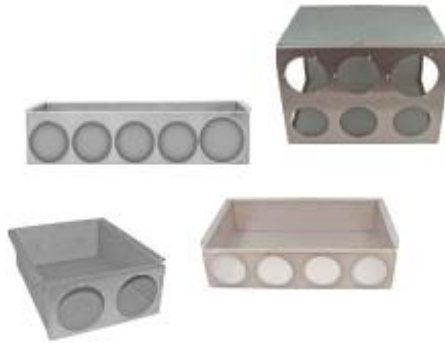
HK# FFS27028463
Gasket, thinner gauge
includes: (1) gasket, (1) gauge



HK# FFS27800474
Cup dispenser head kit, black
Converts existing gray adjustable
cup dispenser heads to black

HK# 62918
Coverplate, for center island
cup dispenser holes
Fits 42 ozl cup size

CUP HOUSINGS



Undercounter Cup Tube Dispenser Housings

HK#	# of Cup Holes	Dimensions
450968	2 - Standard size holes	11 ¹ / ₇₅ " W x 16 ¹ / ₂₅ " D x 5 ¹ / ₅ " H
450797	4 - Standard size holes	23 ¹ / ₂₅ " W x 16 ¹ / ₂₅ " D x 5 ¹ / ₅ " H
71354	5 - Standard size holes	29 ¹ / ₇₅ " W x 16 ¹ / ₂₅ " D x 7" H
65597	4 - (3) Standard (1) 44 oz tube	24" W x 15 ¹ / ₅ " D x 7" H
67092	5 - (4) Standard (1) 44 oz tube	29 ¹ / ₇₅ " W x 16 ¹ / ₂₅ " D x 7" H
65460	6 - (5) Standard (1) 44 oz tube	18 ¹ / ₅ " W x 15 ¹ / ₅ " D x 13" H
65459	8 - (7) Standard (1) 44 oz tube	24" W x 15 ¹ / ₅ " D x 13 ¹ / ₅ " H



HK# 79095
3 cup housing, vertical
mounted cabinet
Stainless Steel
includes (3) adjustable
black cup dispensers
(HK# FRS27800475)
6" W x 19¹/₅" D x 16¹/₂₅" H



HK# 82014
Cup tube housing
Vertical, 4-hole
6" W x 19" D x 22¹/₅" H



HK# 82013
Cup tube housing
Vertical, 3-hole
6" W x 19" D x 16¹/₇₅" H



HK# 85198
Mobile cup cart w/
5 cup tubes
9¹/₅" W x 27¹/₅" D x 30¹/₅" H



HK# 88159
Blender bracket,
4 cups + cone,
for shake/sundae



HK# FRS27800513
4-Cup modular housing
and 2-cone dispenser, with
black adjustable cup tubes
6¹/₅" W x 29¹/₂₅" D x 3¹/₂₅" H



HK# FFS27800511
1-Cup modular housing with
black adjustable cup tubes
6¹/₇₅" W x 31¹/₂₅" D x 6" H



HK# FFS27800512
2-cup modular housing with
black adjustable cup tubes
5¹/₅" W x 10" D x 15" H

SLIMLINE ACCESSORIES



HK# SER88761
Friction pad for Slimline topping dispensers



HK# SER88753
Cylinder - holds portion cups (sold separately) for Slimline topping dispensers



HK# SER88764
Cup adapter for Slimline topping dispensers



HK# SER88845
(McDonald's exclusive)
Standard yellow portion cup for Slimline topping dispensers
Capacity: 182 oz!
Additional colors/measurements are available upon request



HK# SER88754
Handle for Slimline topping dispensers



HK# SER88776
Pivot pin assembly for Slimline topping dispensers



HK# SER88751
Lid for Slimline topping dispensers

Slimline Dispenser Brackets

HK#	Description	Mounting
SER88766	Single	Wall
SER88767	Double	Wall
SER88768	Triple	Wall
SER88769	Quad	Wall
FFS27802464	Double	Dessert butler
FFS27802465	Double	Freestanding
FFS27802463	Double	Finishing station



HK# SER88752
Body for Slimline topping dispensers
Capacity: 2 liters

FROZEN DESSERTS + DRINKS-DESSERT BUTLER



HK# FFS19005325
Shake/sundae basket s/s used with dessert butlers



HK# FCG19005317
Holder, triple lid



HK# ABS028542
Tray, drip for Taylor soft serve/shake combo
23" W x 5 1/25" D x 0 1/25"H

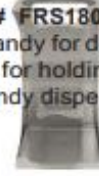
FROZEN DESSERTS + DRINKS-DESSERT BUTLERS



HK# ABSX53638-2
Candy dispensing canister,
small



HK# ABSX53638-1
Candy dispensing canister,
large



HK# FRS18006471
Holder, candy for dessert butler
Used for holding round
candy dispensers



HK# FRS18006471
Bracket for (2)
round dispensers



(2)

HK# FRS27804079
Butler, dessert, (Taylor 602)
Comes with bracket for
Slimline dispensers

**Used with Taylor
model C602 shake machines**
Placed on top of shake machine to help
manage McFlurry components
Candy dispensers are sold separately

HK# FRS27804080
Butler, dessert, (Taylor 8634)
Comes with bracket for
(2) Slimline dispensers
**Used with Taylor
model 8634 shake machines**
Placed on top of shake machine to help
manage McFlurry components
Candy dispensers are sold separately

HK# FFS27804081
Butler, dessert, (Carpigiani K3)
Comes with bracket for
Slimline dispensers
**Used with Carpigiani
model K3 shake machines**
Placed on top of shake machine to help
manage McFlurry components
Candy dispensers are sold separately

HK# FCG18012073
Finishing station (kit)
32 1/25"W x 31 1/88"H x 29 1/3"D
Shipping Weight: 200lbs
s/s station that organizes the toppings
for McCafe beverages, shakes, sundaes,
cones, and McFlurries
115V/60Hz/1PH
R290 Refrigerant
Used on top of the 2-drawer base refrigerator
HK# 18014702
Items also sold individually



FROZEN DESSERTS + DRINKS-SHAKE + SUNDAE ACCESSORIES



HK# FFS27800815
Nut allergen topping holder, orange, 13 sz. to identify allergen products



HK# FFS27800845
Jar, multi-purpose topping holder white, 13 sz.



HK# FFS27801670
Pan, orange narrow condiment, peanut allergies



HK# SON15036878
Jar, 7" white plastic fountain



HK# SER82558
Jar, plastic condiment, Server, 7" deep, 2 qt.-shallow
Can be used with ABSX53800 Taylor topping pumps and Server condiment pumps



HK# SON15062351
Lid, clear plastic fountain jar



HK# SER80310
Lid for HK# SER82558 jar



HK# SON15036875
1 tray, parfait



HK# ABS036574
Jar, 7"D syrup, s/s, can be used with X53800 Taylor topping pumps
Holds topping for sundaes
Use with HK# 82951



HK# FFS27803387
Lid for jar, multipurpose topping



HK# FFS27804229
Lid, replacement for FFS27800845



HK# SON15036884
Parfait prep tray insert
Accommodates small cup size
16.25" L x 4" W x 2" H



HK# SER82951
Pump, 7", topping for caramel & chocolate. Caramel and fudge knobs included.
Use with HK# SER82558 or HK# ABS036574



HK# HKN108-A
Kit, snack size parfait smallwares
Kit contains:
(1) HK# N4370; 3 oz. Solid spoodle, beige
(1) HK# R1913; 9.5" Spatula/scrapper
(6) HK# 15036884; Parfait tray insert
(1) HK# 2024; Standard red handle disher



HK# 8047
Brush cabinet, s/s

HK# INMDD6809A
Bracket, used to mount brush cabinet to universal parts cart (Not shown)



HK# ABSX44127
Tune-up brush kit, for soft serve/shake machines
17" W x 9" D x 3" H

FROZEN DESSERTS + DRINKS-SHAKE + SUNDAE ACCESSORIES



HK# FFS27800498
Rack, cold pack
holds (5) cold packs
designed to hang on
wire freezer shelving



HK# FFS27800282
Cold pak, white
For 13 oz† fountain jar



HK# CRYSI-32HP
Cold pak, blue
For hotcakes



HKN304 Whipped Cream and Cherry Holder Kit*

*Kit items also sold separately



FFS27800300
Whipped cream
can adapter



CARCM1104-03
Coldmaster pan

HKN516-C Whipped Cream and Cherry Holder Kit*

*Kit items also sold separately



FFS27800300
Whipped cream
can adapter



CARCM1104-03
Coldmaster pan



FFS27801092
5" Plastic tong



HKEHK18015
Cherry/tong
pan insert



SJBD2003
Mini-dome
condiment center



HKEHK18007-B
Whipped cream
accessory holder



HK# ABS065194-7
Chute/shaver, ice,
for C029, Taylor



HK# ABSX64944
Cone block fitting,
for Taylor shake/sundae
Machine models NOR118634,
C708, & C602



HK# 82138.23E
Holder, whipped cream
for finishing station



HK# VOR58130
Mix pail, s/s, 12½ qt†



HK# INMCP833
Dairy dolly

FROZEN DESSERTS + DRINKS-DIPPED CONE

HK# 85191

Cone dip warmer
6 1/5" W x 8" D x 5 1/5" H

Plug configuration: standard 3 prong plug

- Thermostatically controlled
- Adjustable temperature
- Works with HKN513-A Cone dipping kit
Shown with HKN513-A
Chocolate dipped cone smallwares
(Container not included)



HK# FFS27800985
Ice cream cone holder



HK# HKN513-A Chocolate Dipped Cone Smallwares Kit*

HK#	Description	Kit Qty
SON15037011	Container with fill line, 2 qt, white	2
SON15037013	Lid, for 2 qt container, white	2
CAR608212	Bar spoon without red cap, 11 1/5"	2
FFS27800388	Round trivet, silicone, 8", black	1
ATK2237-06	Dial thermometer, without clip, 8"	2
SON15037014	Plastic clip, black, for thermometer	2

*Kit items also sold separately

CONE DISPENSERS



HK# FFS27800220

Cone dispenser, attaches to both Taylor and Carpigiani shake machines
6 1/5" W x 29 1/25" D x 3 1/25" H



HK# ABSX28810

Single drawer cone dispenser



HK# TAYX36131

Double drawer cone dispenser



HK# 88159

Blender bracket,
4 cups + cone, for
shake/sundae
30"D x 7"W x 41"H



HK# FRS27800513

4-Cup modular housing
and 2-cone dispenser, with
black adjustable cup tubes
6 1/5" W x 29 1/25" D x 3 1/25" H

STRAW DISPENSERS



HK# VOR3805-06
Single-sided straw dispenser
without McD logo
black finish
Holds 200 wrapped straws



HK# VOR3805-28
Single-sided straw dispenser
without McD logo
s/s finish
Holds 200 wrapped straws



HK# VOR3825-28
Single-sided straw dispenser
s/s finish
Holds 250 unwrapped straws

NAPKIN DISPENSERS



HK# ARM02948-036
Vertical napkin dispenser, black
10½" W x 15¼" D x 28" H



HK# RESMDNAPKNSKINKIT
Kit, McD napkin skin
Set of 2 replacement skins for napkin holder
models: 02948-000, 02948-009 and 02948-015



HK# VOR00581-033
Dispenser, napkin, table top, stainless steel
8¼" W x 12¼" D x 7" H



HK# VOR6512-28
Napkin dispenser, s/s with chrome front
8" W x 12" D x 6" H



HK# VOR6525
Vertical drop in napkin dispenser
with chrome plate & horizontal slot
5¼" x 7¼" opening
9½" W x 7¼" D x 19½" H



HK# SJH2001CLSS
Dispenser, napkin,
In-counter clear

CONDIMENT DISPENSERS + ACCESSORIES



HK# SER85310
Pump, condiment slim 1oz



HK# SER85340
Pump, slim fountain jar



HK# SER85350
Pump, slim fountain jar



HK# SER79890
Station, condiment pump insulated



HK# SER80443
Server pump lock



HK# SER82951
Pump, 7", topping for caramel & chocolate
Caramel and fudge knobs included
Use with HK# SER82558 or HK# ABS036574



HK# SER89208
Pump, eco for BBQ sauce



HK# SER83330
Server condiment pump, 10", for ketchup
Use with HK# SER82557



HK# SER87300
1/9 Pump
(Pump only, shown with HK# SER87203)



HK# SER82558
Jar, 7"D plastic condiment, 2 qt-shallow
Can be used with HK# ABSX53800 Taylor topping pumps and Server condiment pumps
Use with pump HK# SER82951



HK# ABS036574
Jar, 7"D syrup, s/s
Can be used with X53800 Taylor topping pumps
Holds topping for sundaes
Use with HK# 82951



HK# SER82557
Server fountain jar, plastic, 10" Deep, 3 1/5 qt
Use with HK# SER83330



HK# SER87203
Jar, 1/9 size, 6"D, black



HK# SER83189
Lid, s/s lift off, notched



HK# SER83184
Lid, s/s hinged, notched



HK# DIV-SFL-1S
Spring loaded plastic soufflé cup dispenser, for 1 oz cups
4" W x 7 1/2" D x 3 1/5" H

HK# SB800-42A-001
Base, pump & soufflé cup



HK# SER88644
Fruit concentrate holder package
Includes pump, used for strawberry lemonade

BEVERAGE + DINING

ADA BLOCK KIT



HK# FFS18000287 ADA equipment locator block kit, holds equipment at front of self serve counter, to meet Americans with Disabilities Act requirements

Description	Kit Qty
L-Shaped locator blocks with 3M adhesive	10
Degreaser wipes	10
Instruction Sheet	1

HIGH CHAIRS



Ready To Assemble high chair (Tray and wheel kit sold separately)
23.5" W x 23.5" D x 29.75" H

HK#	Color
RUB7814-08-BLA	Black
RUB7814-08-PL	Platinum

High chair tray

HK#	Color
RUB7815-88-PL	Platinum
RUB7815GRN	Green
RUB7815RED	Red



HK# RUB7805-L2
Wheel kit -4 pack



HK# SGS7806-L8
Safety strap, 3 point for Rubbermaid high chair model 7814



Designer High Chair
16.75" W x 22" D x 29" H

HK#	Color
KOA-KB105-01	Gray
KOA-KB105-02	Black
KOA-KB105-03	Red
KOA-KB105-09	Brown



HK# KOA901
Red knob, high chair tray



HK# KOA268KIT
Strap, three way waist, for KB105, Koala



HK# KOA741-KIT
2 wheels, axle and clips for Koala high chair model KB103



HK# KOA740
Strap and buckle kit For Koala high chair model K40



STEAM TABLE PANS, STAINLESS STEEL



- ◆ Winco® offers the most complete collection of steam table pans in the industry
- ◆ Anti-jamming pans available in all gauges; straight sided pans available in standard weight
- ◆ Every gauge weight is made of 18/8 stainless steel
- ◆ NSF listed

NSF STEAM TABLE PANS



ADD 30% MORE COUNTER CAPACITY!

NSF SPJH-906GN
WINCO® EXCLUSIVE SIZE



HEAVYWEIGHT

TRUE 24 GAUGE ANTI-JAMMING

TRUE 23 GAUGE ANTI-JAMMING

TRUE 22 GAUGE ANTI-JAMMING

SIZE	DEPTH	UOM	CASE	ITEM	ITEM	ITEM
Full-Size 20-3/4" x 12-3/4"	1-1/4"	Each	6/12			SPJH-101
	2-1/2"	Each	6/12	SPJM-102	SPJP-102	SPJH-102
	4"	Each	6/12	SPJM-104	SPJP-104	SPJH-104
	6"	Each	6/12	SPJM-106	SPJP-106	SPJH-106
Half-Size 10-3/8" x 12-3/4"	1-1/4"	Each	12/24			SPJH-201
	2-1/2"	Each	12/24	SPJM-202	SPJP-202	SPJH-202
	4"	Each	6/24	SPJM-204	SPJP-204	SPJH-204
	6"	Each	6/12	SPJM-206	SPJP-206	SPJH-206
Third-Size 6-7/8" x 12-3/4"	2-1/2"	Each	12/48	SPJM-302	SPJP-302	SPJH-302
	4"	Each	12/24	SPJM-304	SPJP-304	SPJH-304
	6"	Each	12/24	SPJM-306	SPJP-306	SPJH-306
Quarter-Size 10-5/8" x 6-5/16"	2-1/2"	Each	12/72	SPJM-402	SPJP-402	SPJH-402
	4"	Each	12/48	SPJM-404	SPJP-404	SPJH-404
	6"	Each	12/24	SPJM-406	SPJP-406	SPJH-406
Sixth-Size 6-7/8" x 6-5/16"	2-1/2"	Each	12/72	SPJM-602	SPJP-602	SPJH-602
	4"	Each	12/48	SPJM-604	SPJP-604	SPJH-604
	6"	Each	12/48	SPJM-606	SPJP-606	SPJH-606
Ninth-Size 6-3/4" x 4-1/4"	2-1/2"	Each	12/72	SPJM-902	SPJP-902	SPJH-902
	4"	Each	12/72	SPJM-904	SPJP-904	SPJH-904
	6"	Each	12/24			SPJH-906GN
Eighteenth Size 4-1/4" x 3-1/2"	2"	Each	24/96			SPJH-1802

NSF SPJH-1802



NSF STEAM TABLE PANS

STANDARD WEIGHT

25 GAUGE STRAIGHT-SIDED

25 GAUGE ANTI-JAMMING

SIZE	DEPTH	UOM	CASE	ITEM	ITEM
Full-Size 20-3/4" x 12-3/4"	1-1/4"	Each	6/12	SPF1	
	2-1/2"	Each	6/12	SPF2	SPJL-102
	4"	Each	6/12	SPF4	SPJL-104
	6"	Each	6/12	SPF6	SPJL-106
Two-Third Size 14" x 12-7/8"	2-1/2"	Each	12/24	SPT12	
	4"	Each	6/24	SPT14	
	6"	Each	6/12	SPT16	
Half-Size 10-3/8" x 12-3/4"	1-1/4"	Each	12/24	SPH1	
	2-1/2"	Each	12/24	SPH2	SPJL-202
	4"	Each	6/24	SPH4	SPJL-204
	6"	Each	6/12	SPH6	SPJL-206
Third-Size 6-7/8" x 12-3/4"	2-1/2"	Each	12/48	SPT2	SPJL-302
	4"	Each	12/24	SPT4	SPJL-304
	6"	Each	12/24	SPT6	SPJL-306
Quarter-Size 10-5/8" x 6-5/16"	2-1/2"	Each	12/72	SPQ2	SPJL-402
	4"	Each	12/48	SPQ4	SPJL-404
	6"	Each	12/24	SPQ6	SPJL-406
Sixth-Size 6-7/8" x 6-5/16"	2-1/2"	Each	12/72	SPS2	SPJL-602
	4"	Each	12/48	SPS4	SPJL-604
	6"	Each	12/48	SPS6	SPJL-606
Ninth-Size 6-3/4" x 4-1/4"	2-1/2"	Each	12/72	SPN2	SPJL-902
	4"	Each	12/72	SPN4	SPJL-904



STEAM PAN COVERS

NSF. SOLID COVERS



SPSCF

NSF. SLOTTED COVERS



SPCF

SEE PAGE 231 FOR
POLYCARBONATE
COVERS



C-HFC1



C-HDC



C-DCF



C-DCH



SPJL-HCN



SPJL-HCS

FLAT COVERS

- ◆ Center handle for easy opening and closing
- ◆ 18/8 stainless steel
- ◆ NSF listed

ITEM	DESCRIPTION	UOM	CASE
SPSCF	1/1 Solid Cover	Each	12/24
SPSCH	1/2 Solid Cover	Each	12/48
SPSCT	1/3 Solid Cover	Each	12/72
SPSCQ	1/4 Solid Cover	Each	12/72
SPSCS	1/6 Solid Cover	Each	12/72
SPSCN	1/9 Solid Cover	Each	12/72
SPSCN-GN	1/9 Solid Cover for SPJH-906GN	Each	10/40
SPSCTT	2/3 Solid Cover	Each	12/24
SPCF	1/1 Slotted Cover	Each	12/24
SPCH	1/2 Slotted Cover	Each	12/48
SPCT	1/3 Slotted Cover	Each	12/72
SPCQ	1/4 Slotted Cover	Each	12/72
SPCS	1/6 Slotted Cover	Each	12/72
SPCN	1/9 Slotted Cover	Each	12/72
SPCN-GN	1/9 Slotted Cover for SPJH-906GN	Each	10/40
SPCTT	2/3 Slotted Cover	Each	12/24

HINGED COVERS

ITEM	DESCRIPTION	UOM	CASE
C-HFC1	Full-Size Flat Hinged Cover with Handles	Each	6/12
C-HDC	Full-Size Hinged Dome Cover with Handles	Each	12

DOMES COVERS

ITEM	DESCRIPTION	UOM	CASE
C-DCF	Full-Size Dome Cover with Handle	Each	12
C-DCH	Half-Size Dome Cover with Handle	Each	24

HALF LONG COVERS

ITEM	DESCRIPTION	UOM	CASE
SPJL-HCN	Half Long Cover, Notched	Each	12/24
SPJL-HCS	Half Long Cover, Solid	Each	12/24



HK# RUB5728
Storage bucket
22 qt.

HK# RUB5730
Storage bucket lid
22 qt.



POLYCARBONATE FOOD PANS

PAN SIZING

SIZE	DIMENSIONS
Full-Size	20-3/4" x 12-1/2"
1/2-Size	12-3/4" x 10-3/8"
1/3-Size	12-5/8" x 6-7/8"
1/4-Size	10-1/4" x 6-1/4"
1/6-Size	6-3/4" x 6-1/4"
1/9-Size	6-7/8" x 4-1/4"

WITHSTAND
TEMPS FROM
-40°F TO 210°F



SP7906

SEE PAGE 227
FOR ADAPTOR
BARS

FOOD PANS

◆ NSF listed

ITEM	PAN SIZE	DEPTH	UOM	CASE
SP7102	Full-Size	2-1/2"	Each	6/12
SP7104		3-1/2"	Each	6/12
SP7106		5-1/2"	Each	6/12
SP7108		7-3/4"	Each	6/12
SP7202	1/2-Size	2-1/2"	Each	12/24
SP7204		3-1/2"	Each	6/24
SP7206		5-1/2"	Each	6/12
SP7208		7-3/4"	Each	6/12
SP7302	1/3-Size	2-1/2"	Each	12/24
SP7304		3-1/2"	Each	12/24
SP7306		5-1/2"	Each	6/24
SP7308		7-3/4"	Each	6/12
SP7402	1/4-Size	2-1/2"	Each	12/36
SP7404		3-1/2"	Each	12/36
SP7406		5-1/2"	Each	6/24
SP7602	1/6-Size	2-1/2"	Each	12/36
SP7604		3-1/2"	Each	12/48
SP7606		5-1/2"	Each	6/24
SP7902	1/9-Size	2-1/2"	Each	12/72
SP7904		3-1/2"	Each	12/72
SP7906		6"	Each	12/72

COVERS FOR FOOD PANS

◆ NSF listed

ITEM	COVER STYLE	UOM	CASE
SP7100C	Slotted	Each	12/24
SP7100S	Solid	Each	12/24
SP7200C	Slotted	Each	12/48
SP7200S	Solid	Each	12/48
SP7300C	Slotted	Each	12/72
SP7300S	Solid	Each	12/72
SP7400C	Slotted	Each	12/72
SP7400S	Solid	Each	12/72
SP7600C	Slotted	Each	12/72
SP7600S	Solid	Each	12/72
SP7900C	Slotted	Each	12/72
SP7900S	Solid	Each	12/72

NSF

DOMES COVERS

- ◆ Made of durable polycarbonate plastic
- ◆ C-DP1, C-DPF1 and C-DPFH fit full-size steam table pans and poly pans
- ◆ C-DP2 and C-DPF2 fit half-size steam table pans and poly pans
- ◆ NSF listed

ITEM	DESCRIPTION	SIZE	UOM	CASE
C-DP1	Full-Size Cover, NSF	21-1/2" x 13-3/4"	Each	12
C-DP2	1/2-Size Cover, NSF	13-1/2" x 11"	Each	24
C-DPF1	Full-Size Rip Cover, NSF	21-1/2" x 13-3/4"	Each	12
C-DPF2	1/2-Size Cut-out Cover, NSF	13-1/2" x 11"	Each	24
C-DPFH	Full-Size Hinged Cover	21" x 13"	Each	12



C-DP1

C-DPF2

C-DPF1

C-DPFH

DOMES COVERS NSF

SP79DS

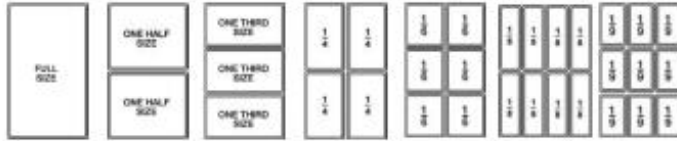
SP7-SERIES NSF

DRAIN SHELVES

◆ NSF listed

ITEM	DESCRIPTION	SIZE	UOM	CASE
SP71DS	Full-Size	18-5/16" x 10-1/4"	Each	10/20
SP72DS	1/2-Size	10-1/4" x 7-7/8"	Each	10/40
SP73DS	1/3-Size	10-1/4" x 4-7/16"	Each	20/80
SP74DS	1/4-Size	8" x 3-15/16"	Each	20/80
SP76DS	1/6-Size	4-7/16" x 4-1/4"	Each	20/120
SP79DS	1/9-Size	4-7/16" x 2-1/8"	Each	60/120

PLASTIC PANS, TRAYS, + LIDS



Carlisle Amber High Heat Plastic Pans



Size	Pans Depth			Solid Lid with Handle	Notched Lid with Handle	Drain Tray
	2.5"	4"	6"			
Full 20.75" L x 12.75" W	CAR10400-13	CAR10401-13	CAR10402-13	CAR10410U-13	CAR10411U-13	CAR10415-13
Half 12.75" L x 10.5" W	CAR10420-13	CAR10421-13	CAR10422-13	CAR10430U-13	CAR10431U-13	CAR10435-13
Half Long 20.75" L x 6.25" W	CAR10440-13	CAR10441-13	N/A	CAR10450U-13	N/A	N/A
One-Third 12.75" L x 7" W	CAR30860-13	CAR30861-13	CAR30862-13	CAR10470U-13	CAR10471U-13	CAR30870-13
One-Fourth 11" L x 6.5" W	CAR30880-13	CAR30881-13	CAR30882-13	CAR10490U-13	CAR10491-13	CAR30895-13
One-Sixth 6.75" L x 6.5" W	CAR30883-13	CAR30884-13	CAR30885-13	CAR10510U-13	CAR10511-13	CAR30896-13
One-Ninth 6.75" L x 4.25" W	CAR30886-13	CAR30887-13	N/A	CAR10536U-13 (no handle)	CAR10537U-13 (no handle)	N/A

Carlisle Coldmaster Plastic Pans

Hold food temperatures at or below 40°F for Eight Hours



Size	Depth	Pans			Lids
		Color Changing	White	Black	Clear
Two Thirds 15.75" W x 17" D x 7.5" H	6"	N/A	CARCM1046	N/A	N/A
Half 10.5" W x 12.75" D x 6.25" H	6"	N/A	N/A	CARCM1101-03	CARCM1126-07
One-Third 7" W x 12.75" D x 6.25" H	6"	CARCM1102C14-02	CARCM1102-02	CARCM1102-03	CARCM1127-07
One-Sixth 6.25" W x 7" D x 6" H	6"	CARCM1104C14-02	CARCM1104-02	CARCM1104-03	CARCM1128-07



HK# CARCM1100C14-02
Pan, full sz, 6"D
white/blue color change



HK# CAM82PPMD452
Green 1/8 size pan
Signature Crafted



ALUMINUM BAKE PANS, TRAYS, + LIDS



HK# PCC229
Wire rack,
16.25"W x 8.75"D x 0.5"H
Used with bake pan
FFS122607



HK# FFSHK17001-A
Wire rack, 1/2 size, grid design,
Used with bake pan VOR5303
for bacon and fresh baked
cookies



HK# FFSW551-C
Pan holder for bake pan
VOR5303
18.25"W x 13.75"D x 9.25"H



HK# INM20SNK3
Shelf, tray slides
Used on Metro wire shelving
Holds pan VOR9002
Used for thawing chicken
in cooler



HK# CMB43025
Pan, glazed muffin
12 slot



HK# FOC903555
Pan, combi baked muffin



Bake Pans-Aluminum

HK#	Dimensions
WINALXP-1826	25.75" W x 18" D x 1" H
VOR5303	18" W x 13" D x 1" H
VOR5220	9.5" W x 13" D x 1" H
FFS122607	10" W x 18" D x 1" H
VOR9002	17.75" W x 25.75" D x 1" H

CHICKEN GRILL PAN



HK# IPAMCD11UV
Pan, chicken grill (2 pack)
Pans used in combi ovens
to cook grilled chicken

CHEESE PLATES



HK# CAM62PP190
Pan, small cheese plate,
1/6 sz., 2.5" D, translucent



HK# HKEHK18060
Plate, cheese, small
4.73" L x 3.93" W x .75"H



HK# HKEHK18065
Lid, cheese plate, large



HK# HKEHK18059
Plate, cheese, large
6.87"L x 4.25" W x 1.45" H



SQUARE FOOD STORAGE CONTAINERS



NSF PCSC-SERIES



NSF BPA FREE PTSC-SERIES



NSF BPA FREE PESC-SERIES

SEE PAGE 295 FOR MORE OF THE ALLERGEN-FREE LINE



PECC-128P, PECC-68P, PECC-24P



PECC-24, PECC-68, PECC-128



PECC-S, PECC-M, PECC-L

Winco® offers a wide selection of NSF listed boxes and containers to meet all your food storage needs. Our food storage containers come in round and square shapes, in both clear polycarbonate (PC) and polypropylene (PP).

- ◆ Clear polycarbonate is extremely durable, stackable, withstands temperatures from -40°F to 210°F, and is ideal for the storage and transport of raw or prepared food
- ◆ Polypropylene is stain resistant, withstands temperatures from -40°F to 160°F, and is ideal for the storage and transport of prepared food only
- ◆ Built-in handles, graduation markings in liters and quarts
- ◆ Dishwasher safe

CLEAR POLYCARBONATE

◆ NSF listed

ITEM	DESCRIPTION	UOM	CASE
PCSC-2C	2 Qt	Each	12/60
PCSC-4C	4 Qt	Each	12/48
PCSC-6C	6 Qt	Each	12/24
PCSC-8C	8 Qt	Each	12/24
PCSC-12C	12 Qt	Each	12
PCSC-18C	18 Qt	Each	12
PCSC-22C	22 Qt	Each	6

TRANSLUCENT POLYPROPYLENE

◆ NSF listed, BPA-free

ITEM	DESCRIPTION	UOM	CASE
PTSC-2	2 Qt	Each	12/60
PTSC-4	4 Qt	Each	12/48
PTSC-6	6 Qt	Each	12/24
PTSC-8	8 Qt	Each	12/24
PTSC-12	12 Qt	Each	12
PTSC-18	18 Qt	Each	12
PTSC-22	22 Qt	Each	6

WHITE POLYPROPYLENE

◆ NSF listed, BPA-free

ITEM	DESCRIPTION	UOM	CASE
PESC-2	2 Qt	Each	12/60
PESC-4	4 Qt	Each	12/48
PESC-6	6 Qt	Each	12/24
PESC-8	8 Qt	Each	12/24
PESC-12	12 Qt	Each	12
PESC-18	18 Qt	Each	12
PESC-22	22 Qt	Each	6

POLYETHYLENE ALLERGEN-FREE COVERS

Solve the challenges of maintaining an allergen-aware kitchen! Improve customer dining experiences while raising the bar for food safety. Prevent cross-contaminating allergens with the extensive line of Allergen-Free tools by Winco®. Whether it's gluten, nuts or more, use this stand-out purple color to designate these storage containers as allergen-free.

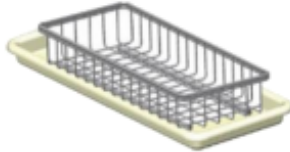
ITEM	DESCRIPTION	COLOR	UOM	CASE
PECC-24P	Fits 2 Qt & 4 Qt	Purple	Each	12
PECC-68P	Fits 6 Qt & 8 Qt	Purple	Each	12
PECC-128P	Fits 12 Qt, 18 Qt, 22 Qt	Purple	Each	6

POLYETHYLENE COVERS

ITEM	DESCRIPTION	COLOR	UOM	CASE
PECC-24	Fits 2 Qt & 4 Qt	Green	Each	12
PECC-68	Fits 6 Qt & 8 Qt	Red	Each	12
PECC-128	Fits 12 Qt, 18 Qt, 22 Qt	Blue	Each	6
PECC-S	Fits 2 Qt & 4 Qt	White	Each	12
PECC-M	Fits 6 Qt & 8 Qt	White	Each	12
PECC-L	Fits 12 Qt, 18 Qt, 22 Qt	White	Each	6



UHC TRAYS, RACKS, + INSERTS



HK# HKN537

Kit, ADB hash browns

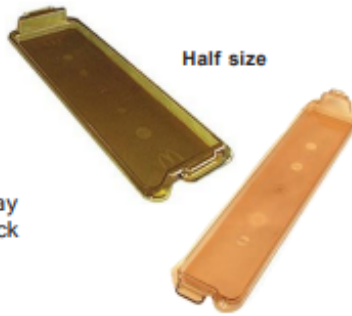
Kit Includes:

- (1)HK# SON15051848; hash brown crumb tray
- (1)HK# FFS27801968; hash brown crumb rack



Fried Product Wire Racks

HK#	Size
HK18019	1/3
HKEHK18020	1/2



Half size

One-Third size



HK# SON15135447

Tray, yellow flash finish transfer

UHC Fried Product Trays

Size	Color	HK#
1/3	Amber	SON15036871
1/3	Blue	SON15036865
1/3	Purple	SON15124130
1/3	Red	SON15036864
1/3	Green	SON15036866
1/3	Gray	SON15036870
1/3	Yellow	SON15036867
1/3	Black	SON15036873
1/2	Amber	SON15036859
1/2	Red	SON15036857



HK# SON15036976

Tray, gray euro, 1/3 sz., Opti-Loc

Opti-Loc UHC Tray, 1/3 Size

Color	Use	HK#
Amber	Scrambled eggs, McGriddles, sausage, Canadian bacon, 10:1 meat	SON15036897
Blue	Burritos, 4:1 meat	SON15036891
White	Round eggs	SON15036898
Yellow	Folded eggs	SON15036893
Green (with holes)	Muffins	SON15036959
Gray	Grilled chicken	SON15036896
Red	Buttermilk chicken tenders	SON15036890
Green	Meat	SON15036892



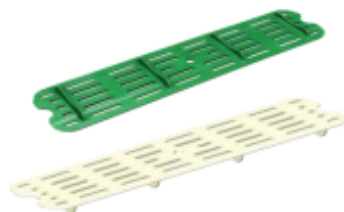
HK# SON15036961

Insert, green muffin, for 15036959



Inserts, For UHC Trays

Color	Use	HK#
Ivory	Grilled Chicken	SON15061313
Green	Muffins	SON15036961
Amber	Grilled Chicken	SON15036876



DISHERS



Dishers			
HK#	Capacity	Color	Size
VOR47139	5 1/3 oz.	White	6
VOR47140	4 oz.	Gray	8
VOR47141	3 3/4 oz.	Ivory	10
VOR47142	2 2/3 oz.	Green	12
VOR47143	2 oz.	Blue	16
VOR47144	1 5/8 oz.	Yellow	20
VOR47145	1 1/3 oz.	Red	24
VOR47146	1 oz.	Black	30
VOR47147	3/4 oz.	Orchid	40

Dishers			
HK#	Capacity	Color	Size
FFS27019341	5 1/3 oz.	White	6
FFS27800481	4 oz.	Gray	8
FFS27019260	3 3/4 oz.	Ivory	10
FFS27020590	2 2/3 oz.	Green	12
FFS27800501	2 oz.	Blue	16
FFS27020591	1 5/8 oz.	Yellow	20
FFS27020592	1 1/3 oz.	Red	24
FFS27800502	1 oz.	Black	30
FFS27800503	3/4 oz.	Orchid	40

BUTTER BRUSH/FUNNEL



HK# CAR4040305
Butter brush with hook, white handle
with red silicone bristles, 2" wide



HK# FIF7210-480
Funnel, silicone

SCOOPS



HK# SON15061108
Chicken McNugget
scoop, UHC, beige



HK# FOCSCO-300
Chicken McNugget
scoop, aluminum



HK# 63073
Onion shovel



DISHERS & PORTION SERVICE



NSF ICOP-SERIES



NSF ICD-SERIES



ISS-SERIES



AICD-12



ICS-1

ONE-PIECE DELUXE DISHERS

- ◆ Great for mashed potatoes, cookie dough and more
- ◆ Longer handle reduces hand and arm fatigue
- ◆ One-piece handle construction reinforced with stainless steel rod
- ◆ Long lasting durability
- ◆ Handle color indicates size of scoop
- ◆ Sturdy, durable 18/8 stainless steel
- ◆ NSF listed

ITEM	DESCRIPTION	DIA	SIZE	COLOR	UOM	CASE
ICOP-6	5-1/3 Oz	3-3/16"	6	White	Each	1/36
ICOP-8	4 Oz	2-7/8"	8	Gray	Each	1/36
ICOP-10	3-1/4 Oz	2-11/16"	10	Ivory	Each	1/36
ICOP-12	2-2/3 Oz	2-7/16"	12	Green	Each	1/36
ICOP-16	2 Oz	2-1/4"	16	Blue	Each	1/36
ICOP-20	1-5/8 Oz	2-1/8"	20	Yellow	Each	1/36
ICOP-24	1-1/3 Oz	2"	24	Red	Each	1/36
ICOP-30	1 Oz	1-13/16"	30	Black	Each	1/36
ICOP-40	3/4 Oz	1-5/8"	40	Purple	Each	1/36

DISHERS

- ◆ 18/8 stainless steel
- ◆ NSF listed

ITEM	DESCRIPTION	DIA	SIZE	COLOR	UOM	CASE
ICD-6	4-2/3 Oz	3"	6	White	Each	1/36
ICD-8	4 Oz	2-3/4"	8	Gray	Each	1/36
ICD-10	3-3/4 Oz	2-5/8"	10	Ivory	Each	1/36
ICD-12	3-1/4 Oz	2-1/2"	12	Green	Each	1/36
ICD-16	2-3/4 Oz	2-1/4"	16	Blue	Each	1/36
ICD-20	2 Oz	2-1/8"	20	Yellow	Each	1/36
ICD-24	1-3/4 Oz	2"	24	Red	Each	1/36
ICD-30	1-1/4 Oz	1-7/8"	30	Black	Each	1/36
ICD-40	7/8 Oz	1-5/8"	40	Purple	Each	1/36

SQUEEZE DISHERS/PORIONERS

- ◆ 18/8 stainless steel

ITEM	DESCRIPTION	DIA	SIZE	UOM	CASE
ISS-8	4 Oz	2-3/4"	8	Each	12/48
ISS-10	3-3/4 Oz	2-5/8"	10	Each	12/48
ISS-12	3-1/4 Oz	2-1/2"	12	Each	12/48
ISS-16	2-3/4 Oz	2-1/4"	16	Each	12/48
ISS-20	2-1/2 Oz	2-1/8"	20	Each	12/48
ISS-24	1-3/4 Oz	1-15/16"	24	Each	12/48
ISS-30	1-1/4 Oz	1-7/8"	30	Each	12/48
ISS-40	7/8 Oz	1-3/4"	40	Each	12/48
ISS-50	5/8 Oz	1-1/2"	50	Each	12/48
ISS-60	9/16 Oz	1-7/16"	60	Each	12/48
ISS-70	1/2 Oz	1-3/8"	70	Each	12/48
ISS-100	3/8 Oz	1-1/8"	100	Each	12/48

ICE CREAM DIPPERS, SELF-DEFROSTING

- ◆ Cast aluminum, hand wash only
- ◆ Contains non-toxic heat conductive fluid that enables dipper to self-defrost

ITEM	DESCRIPTION	SIZE	UOM	CASE
AICD-12	3 Oz	12	Each	12/144
AICD-16	2-1/2 Oz	16	Each	12/144
AICD-20	2 Oz	20	Each	12/144
AICD-24	1-1/2 Oz	24	Each	12/144

ICE CREAM SPADE

ITEM	DESCRIPTION	UOM	CASE
ICS-1	Ice Cream Spade	Each	12/120



FRY SCOOPS



HK# HKEHKT001DH
Fry scoop,
mini dual - hand



HK# HKEHKT002RH
Fry bagging scoop,
right handed



HK# HKEHKT002DH
Fry bagging scoop, full size,
dual handed



HK# HKEHKT001
Fry bagging scoop, right
handed universal, for use
with all fry boxes including
Happy Meal size fry boxes



HK# SJX200140
Bracket, for
Saf-T-Scoop
replacement



HK# SJX200109
Bracket, for
Saf-T-Scoop
replacement



ICE SCOOPS



HK# MANK00482
Holder, scoop, hanger
type for F-Series Bins



HK# MANK00461
Holder, scoop,
external



HK# MANK00463
Holder, ice-scoop,
external

SAF-T ICE Scoops

Scoop with Guardian Handle and Holder*		Scoop Only
HK#	HK#	Oz.
SJSI5000	SJSI5500	6-10
SJSI7000	SJSI7500	12-16
SJSI7750	N/A	20-24
SJSI9000	SJSI9500	64-86



HK# GMD040004783
Manitowoc ice scoop



HK# MAN000015595
Scoop, ice, plastic,
replacement



HK# RUB2882
Scoop, plastic, 6 oz.



HK# RUB2885
Utility scoop,
white, 64 oz.



HK# VOR14001
Ice scoop, s/s, 9.5"



Ecolab Ice Scoops	
HK#	Oz.
ECO30541-00-00	16
ECO30540-00-00	64



Ecolab Ice Scoops & Holders Kit	
HK#	Oz.
ECO30541-90-00	16
ECO30540-90-00	64



Utility Scoops-Clear	
HK#	Oz.
RUB2884	32
RUB2886	64



Scoops - Aluminum	
HK#	Oz.
VOR46891	12
VOR46892	24
VOR46893	40.
VOR46894	55

LADLES



Ladles, Stainless Steel	
Size	HK#
.5 oz.	VOR46810
1 oz.	VOR46811
1.5 oz.	VOR46915
2 oz.	VOR46812
3 oz.	VOR46813
4 oz.	VOR46814
6 oz.	VOR46816



HK# CAR0295-06
Ladle, plastic,
1 oz., beige



HK# CAMLD85-135
Ladle, 3/4 oz.,
8.5" handle, clear



HK# CAMLD105-135
Ladle, 1 oz.,
10.5" handle, clear



HK# CAMLD130-135
Ladle, 1 oz.,
13" handle, clear

WHIPS + WHISKS



HK# JSM228-74
Small wire beater

French Wire Whip

Size	HK#
10	BRODFW310
12	WINFN-12 FOCFW-12
14	WINFN-14 FOCFW-14
18	WINFN-18 FOCFW-18
18	VOR47094 (for sweet tea)
24	FOCFW-24



BAG, PAIL, + CAN OPENERS



HK# PCC404-26
Pouch mate (2/pk.)



HK# SON15036886
Bag opener/pouchmate, red



HK# IPP7210
Pail opener,
plastic, white



HK# SJBB100
Cutter, bag and
squeegee, blue



HK# SDG00759-010
Pouch opener, blue (6/pk.)



HK# SDG00759-003
"Viper" pouch opener (6/pk.)

SEPARATOR



HK# DEX18193
Biscuit separator, 3.5", white handle

ROLLING PIN



HK# PCC228-57
Rolling pin, plastic, 1/2" thick

SPATULAS



Super Spatula, Nylon	
Color	HK#
White	FFS27800338
Black	FFS27800339



HK# FFS27803386
Spatula, narrow super,
white, plastic
7.75" L x 5.5" W x 3.25" H



HK# 87072.26A
Fresh beef spatula,
spatula body

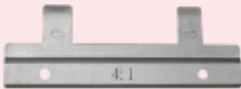


HK# 87072.18A.015
Fresh beef spatula,
blade (20/pk)

HK# HKN664
Fresh beef spatula kit
Contains: (2) 87072.26A, Fresh beef spatulas
(1) 87072.18A.015, Pkg. 20 blades
(1) 87072.57A, GTO insert, fresh beef
(1) SON15036956 scraper



HK# FFS4008960
Meat spatula, 4:1, 5" black handle
disposable blade system



HK# FFS4008990-1
4:1 Blades
20/pk.



HK# FFS27006705
10:1 spatula



HK# FFS27006706
10:1 Blades
20/pk.



Hutzler Spatula/Scraper, Nylon

Color	Size	HK#
White	14"	HKEHK18001
Black	14"	HKEHK18002
Yellow	14"	HUT703YEL
Red	11"	FFS27803115



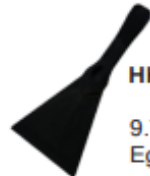
HK# FFS27800757
Changer, spatula
blade, handheld



HK# FRS20381116
Bun/muffin spatula



HK# SON15121067
Scraper, blue



HK# SON15036956
Hand spatula
9.75" Black plastic
Egg cooker scraper



HK# VOR46931
Spatula, s/s black handle



HK# RUB1905SPATULA
Spatula/scraper, rubber, 13.5"



HK#RUBR1913
Spatula/scraper, rubber, 9.5"



HK# SON15040946
Spatula, white
Plastic, 9.75"



HK# DEXS284
Biscuit spatula, white handle, s/s



Slotted Spatula 11", Nylon	
Color	HK#
White	FRS4006803
Yellow	FFS4006804
Black	FFS4006802



Slotted Spatula 14.5", Nylon	
Color	HK#
White	RUB1810893
Black	RUB1810892

TONGS

Colored Tongs

HK#	Description	Use
CAMTGG9110	Black plastic tong, 9"	
CAMTGG9782	Red plastic tong, 9"	Filet
CAMTGG9133	Tan plastic tong, 9"	Breakfast
CAMTGG9780	Green plastic tong, 9"	Veg.
CAMTGG9781	Blue plastic tong, 9"	Fish
CAMTGG9784	Yellow plastic tong, 9"	Chicken
CAMTGG9785	White plastic tong, 9"	
CAMTGG9786	Orange plastic tong, 9"	
CAMTGG9787	Aqua plastic tong, 9"	
CAMTGG9783	Gray plastic tong, 9"	

Pom tongs, Kool Touch s/s with insulated black grip handle

HK#	Size
VOR47326	6"
VOR47329	9"
VOR47322	12"

Utility tongs Stainless steel

HK#	Size
VOR47109-9	9"
VOR47812-10	12"
VOR4781610	16"

Pom tongs 6", Plastic

HK#	Color
CAR480606	Beige
CAR4206-07	Clear

HK# VOR47109
Pom tong,
9" s/s

Salad Tongs Plastic

6" Tongs	9" Tongs	Color
CAR460606	CAR4609-06	Beige
CAR4606-03	CAR4609-03	Black
N/A	CAR4609-01	Brown
CAR4006	CAR4009-07	Clear
CAR4606-09	CAR4609-08	Green
CAR4606-05	CAR4609-05	Red
N/A	CAR4609-02	White

Scalloped tongs, Kool Touch s/s with insulated handle

HK#	Size	Color
VOR4791230	12"	Blue
VOR4791240	12"	Red
VOR4791250	12"	Yellow
VOR4791260	12"	Tan
VOR4781670	16"	Green
VOR4781650	16"	Yellow

HK# FFS27801092
Cherry/lemon tong,
5"
For use with
whipped cream and
cherry dispenser



HK# FFS27027515
Egg tong, plastic, yellow



HK# HKEHK14002
Tongs, hash brown, 9", s/s



HK# HKEHK18022
Tong, plastic, brown



HK# VOR47809-30
Utility tong, blue



HK# VOR47809-50
Utility tong, yellow

CUTLERY HOLDER



HK# VOR52651
Four compartment
cutlery box, plastic, gray
21" W x 12" D x 4" H



HK# CAM912CBP-110
Utility box - spoon waste
holder (Required only for
CBB/ABS traditional layout)
12" W x 9.25" D x 5.25" H



HK# HK18108
McCafe
spoon holder

HK# HK18109
Drip cup for
HK18108



HK# VOR52643
Plastic cylinder,
white spoon
holder



HK# FFS78405-00A-001
Spoon wash bracket
holds HK# VOR52643
plastic spoon holder

FOOD BOX



HK# CAR10627-07
Lid, clear for
HK# CAR10621-07



HK# CAR10621-07
Food box, clear used for
muffins in freezer
31.5" W x 18.5" D x 8.5" H



HK# CAR44009MD30
Container, clear baked
goods



HK# CAR44012EZMD30
Lid, clear
baked goods ez access



HK# CAM18269P148
Food box, white
Withstands temperatures
-40°F to 160°F
26" x 18" x 9"D



HK# CAM18269CW148
Food box, white
Withstands temperatures
-40°F to 210°F
26" x 18" x 9"D

BUS BOXES-SALADS + MEAT TRAYS



HK# SON15093431
Bus box, blue
Used for fresh beef/
HOTG program
31.5" W x 18.5" D x
8.5" H

HK# SON15161182
Bus box, blue OPL
style



HK# VOR52657
Bus box, white,
used for salads
15" W x 20" D x 7" H



HK# SON15093432
Bus box, gray for
UHC meat trays

HK# SON15161181
Bus box, gray
OPL style

Salad Spoons w/ hole in handle-8"

HK#	Color	Size
CAR4460-02	White	.5 oz.
CAR4460-05	Red	.5 oz.
CAR4460-08	Green	.5 oz.
CAR4470-06	Beige	.75 oz.
CAR4460-06	Beige	.5 oz.
CAR4460-03	Black	.25 oz.
CAR4460-07	Clear	.5 oz.

MEASURING SPOONS



HK# CAR509-01
Spoon, 11", 1.3 oz., maroon
for portioning mushrooms



HK# AMIMSP514
Measuring spoon (set of 4)



HK# SON15036968
.50 oz. Chilled rail
spoon, amber



HK# SON15062916
.25 oz. Chilled rail
spoon, orange



HK# SON15061119
.75 oz. Chilled rail
spoon, white



HK# SON15063902
.5 oz Chilled rail
spoon, orange



HK# CAR496205
Measure miser,
2 oz. red
perforated



HK# CAR492405
Measure miser,
2 oz. red
solid



HK# CAR395801
Measure miser,
1.5 oz brown
solid



HK# CAR398108
Measure miser,
4 oz. green
perforated

MEASURING CUPS + SCALES



HK# RUB3215-00VSPEC
Measuring cup, 16 oz., clear, for liquid eggs



HK# MKC99-9427
Ratio cup, beverages



HK# SON15093227
Measuring cup, 64 oz., clear, for measuring mushrooms



HK# CAM25MCCW
Measuring cup, 8 oz. clear plastic



HK# T-37204014T
Scale, kitchen, analog white w/bowl



HK# SON15037002
Oatmeal measuring cup kit
Includes: (2) oatmeal measuring cups and (1) cleaning brush



HK# HKEHK18014
Cleaning brush



HK# SON15036996
AccuWater dispenser, 2 oz.

HK# SON15036998
Base, for AccuWater dispenser

HK# SON15037038
Replacement bottle w/ cap only

Measuring Cups Plastic, Clear

HK#	Size
RUB3215	16 oz. (.5 qt.)
RUB3216	32 oz. (1 qt.)
RUB3217	64 oz. (2 qt.)
RUB3218	128 oz. (4 qt.)



HK# SON15037000
Cup, oatmeal, metering with brush

Measuring Cup Stainless Steel

HK#	Size
VOR95160	16 oz. (.5 qt.)
VOR95320	32 oz. (1 qt.)
VOR95640	64 oz. (2 qt.)



SEASONING + SALT SHAKERS



HK# FFS4007667 Grill Seasoning Shaker, 86:14

HK#	Description	Kit Qty
FFS4007669	Replacement lid	1
FFS4007670	Replacement body	1



HK# 68375
Wall mount seasoning dispenser holder
Includes mounting hardware
Holds (2) 4007667 dispensers and (1) 15114083 utility tray
7.5" W x 5" D x 4" H



HK# CAR4250-55
Dredge, with medium lid, rose
3"W x 3"D x 4"H



HK# CAR4270-06
Dredge, with S&P lid, beige
4.25"W x 3"D x 3.75"H



HK# CAR4260-04
Dredge, with yellow lid
4.25"W x 3"D x 3.75"H



HK# CAR4230S-30
Dredge/shaker, with clear lid



HK# CAM96SKRP
Shaker, 11 oz clear w/ clear lid



HK# 80365
Holder, AccuSalt

HK# VOR5063
Dredge can



HK# VOR68183
Dredge can, aluminum *without* handle

SEASONING + SALT SHAKERS





HK# SON15036936 AccuSalt Dispenser*, 4 Gram

HK#	Description
-----	-------------

SON15036900	Body, amber	
SON15036938	Insert container, amber	
SON15036954	Insert cover, blue	
SON15036940	Return funnel, blue	
SON15036941	Return funnel, amber	
SON15036877	Cap, amber	

*Components also sold separately

Seasoning Dispenser with Color Base

HK#	Use	Color	
SON15037035	Steak seasoning	Red	
SON15051826	Beef	Amber	
SON15036990	CYT tomato seasoning	Blue	
SON15037043	Powdered sugar	White	



HK# SON15061155
Seasoning dispenser tray,
Holds (2) seasoning dispensers



HK# SON15098292
Pin, for seasoning dispenser



HK# SON15051911
Upper assembly only, grill
seasoning dispenser





HK# SON15076560
Cover, amber, insert for AccuSalt

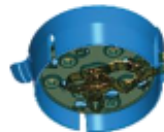


AccuSalt Dispenser with Holder

HK#	Description
SON15036936	AccuSalt dispenser, 4 gram
FFSMCD60	Holder, AccuSalt
HKN100-PS74	Velcro set for AccuSalt holder

Seasoning Dispenser Components

HK#	Description	
SON15036982	Lid	
SON15037030	Body sub assembly includes: body, pin, spring & trigger	
SON15036989	Thumb screw	
SON15037006	Spring	



Seasoning Dispenser Base Assembly
Includes: Top & bottom plates, colored
base, link & thumb screw

HK#	Description
SON15037031	Blue
SON15037037	Red
SON15051086	Amber

SQUEEZE BOTTLES + HOLDERS



HK# HKEH-18-342

FIFO bottle holder, works with H+K and Franke high density prep tables, holds (16) bottles, (8) bottles per side of prep table mounts on overshef or on prep

See Page 5.27 for FIFO Bottle Labels

HK# HKEH-18-342-2

Replacement drip pan



HK# FIFCB16NSF2001101

Red valve dispensing cap & red label cap

Use: Buttermilk Ranch, Honey Mustard, Chipotle BBQ, Cilantro Lime Glaze, Sweet Chili, Habanero Ranch, BBQ Ranch

FIFCB16NSF200110-24
(24/pk.)



HK# FIFCB16NSF1301401

Green valve dispensing cap & green label cap

Use: Creamy Garlic, Spicy Buffalo



HK# FIFCB165330200-1

Orange dual tip precision cap & orange label cap

Use: Rice Vinegar



HK# FIFCB165330-300-1

Clear single tip precision tip cap & clear label cap

Use: Liquid Margarine



HK# FIFCB165330304BLK1

Black single tip precision tip cap & clear label cap

Use: Parmesan Peppercorn Sauce



FIFCB16NSF3001301

Clear single tip precision tip cap & blue label cap

Use: Sweet onion BBQ



HK# FIFCB16-220-12

Bottles, 16 oz clear (12/pk)

HK# FIFCB20-220-12

Bottles, 20 oz clear (12/pk)



HK# VOR3300-191-1391

Cap, green wide mouth, tri tip cap, "A"

HK# VOR3300-191-1402

Cap, green wide mouth, tri tip cap, "E"



HK# FIFCB16NSF220-ON

Bottle, 16oz, clear with med yellow valve pk



HK# FIFGB21X3-220-1

Bottle, w/3 hole cap, 1/pk

HK# FIFGB21X3-220-6

Bottles, 3 hole caps, 6/pk



HK# FIFGBP-21-6

Cartridge, plunger, 6/pk

HK# FIFGBP-21-1

Cartridge, plunger 1/pk

HK# VOR3300-44-1284

Cap, blue wide mouth, tri tip cap, "G"

HK# VOR3300-44-1298

Cap, blue wide mouth, tri tip cap, "H"

HK# VOR3300-44-1402

Cap, blue wide mouth, tri tip cap, "E"



HK# FIFCB20NSF130-ON

Bottle, 20 oz, green valve, white cap

HK# FIFGBC3-220-6

Caps, 21 oz., 3 valve, yellow, 6/pk

HK# VOR3300-54-1391

Cap, purple wide mouth, tri tip cap, "A"

SAUCE GUNS + HOLDERS



HK# PCC136-38S
MCD/GM bag, polypiston
(pack of 20)



HK# FFS27801859
Sauce gun, 1/2 oz., white



HK# PCC583-NMCC
Sauce gun, 1 oz, green handle



HK# HK18018

Wire form sauce gun holder with drip pan, dual sided, holds (6) sauce guns, (3) on each side, for use with high density prep tables, fits on 13" overshelf
12" W x 13.25" L x 7.25" H



Prince Castle Legacy Sauce Guns

HK #	Handle Color	Sauce	Ounce Size
PCC581-N	White	Mayo	1/2
PCC580-N	Red	Mac	1/3
PCC582N	Black	Chicken	1/3



HK# FFS27804280
Holder, wire, 2 sauce guns



HK# HKEHK18018-001
Replacement drip tray for wire form sauce gun holder HK18018



Franke Legacy Sauce Guns

HK #	Handle Color	Sauce	Ounce Size
FFS4006093	White	Mayo	1/2
FFS4006094	Red	Mac	1/3
FFS4006095	Black	Chicken	1/3
FFS4007549	Green	Tarter	1/3

CO₂ CONDIMENT DISPENSER



**PERFECTION
EQUIPMENT, INC.**

HK# PERMCD-1FF

Single CO₂ condiment dispensing system, back of house
Front of house dispensing systems can be found on page 2.37



HK# PER11-C110 Clean in Place Kit For Perfection CO₂ Condiment Dispensing System

HK#	Description	Kit Qty
PER00960-00	CPC CIP connector	1
PER15-C010	1/2 ID soft braid tubing	6
PER11-C030	Pail, green, 3.5 gal.	1
PER13-5960	Sanitizer	1

*Kit items also sold separately

KETCHUP + MUSTARD DISPENSERS

PRINCECASTLE

Ketchup & Mustard Dispensers-Narrow

HK#	Description
PCC406-AN	Narrow ketchup dispenser, plastic
PCC398-CN	Narrow mustard dispenser, plastic
PCC417-BN	Single base holder, for narrow dispensers
PCC417-AN	Dual base holder, for narrow dispensers



HK# PCC417-001S
Kit, replacement feet for
model 417-AN ketchup
dispenser base
1 kit includes 8 feet

Replacement parts for 406-AN & 398-CN can be found on page 9.151 and page 9.152

**NEW
PRODUCT
2021**



HK# ASP77000-US
Dispenser, dual ketchup/mustard



HK# ASP8654
Stand, mustard/ketchup
dispenser

PRINCECASTLE



HK# PCC943-DMCL
Tomato saber complete slicer
7 1/2" slice size

HK# PCC943-041A
Slicer replacement blade
7 1/2" slice size



HK# PCC970-A
Bagel saber



HK# PCC970-097
Tray, bagel saber



HK# PCC970-034
Bagel saber
replacement blade



HK# PCC953CORE-IT
Tomato Core-It

Etlund



HK# EDL30200
Tomato/vegetable slicer
1/4" blades

HK# EDLAS015MD
Replacement blade

SLICING + CUTTING-WEDGES



HK# PCCCW-MCDY
Citrus saber/wedger



HK# PCC925-059
Replacement blade assembly
For PCCCW-MCDY Citrus Saber/Wedger

BLADES/CUTTERS



HK# FFS27017044
4:1 Disposable blade cutter, black handle, for cutting chicken



HK# FFS27023465
Cutter, red handle, for cutting chicken or beef



HK# BRO182DS
Sani-Safe dough cutter, 6" x 3"



HK# ROCSR325
Biscuit cutter, 3.25"



HK# PCC187-B
Sandwich cutting & knife guide



HK# 87072.18A.015
Fresh beef spatula, blade (20/pk)



HK# FFS27006706
10:1 Blades (20/pk)



HK# FFS4008990-1
4:1 Replacement blades, 20/pk. Used with disposable blade cutter models FFS27023465 & FFS27017044 and Spatula FFS4008960



HK# FFS27800757
4:1 Disposable blade changer, used with disposable blade cutter models FFS27023465 & FFS27017044

CUTTING BOARDS



HK# ALIHKD6000
Cutting board, white 10" W x 10" L x .5" H



HK# ALI228-19
Bakers board white, 24" x 24"



HK# SJCBG6938WH
Cutting board, white 6" W x 9" D



HK# SJCBG6938RD
Cutting board, red 6" W x 9" D

KNIVES



HK# DEX15303
Small paring knife, 3.25" blade, white plastic handle, overall length 7.25"



HK# MUNW0547-4
Paring knife, white handle, 4"

COLANDER + SIFTER



HK# SON15051831
Flour sifter - plastic



HK# FOCCOL-50
Stainless steel colander, 5 quart, with handles, Used to clean lemons

MIXING

HK# VOR47949
Mixing bowl, stainless steel, 20 qt.



BREAKFAST KITS



HK# HKN197-G Scratch Biscuit Kit*

HK#	Description	Kit Qty
VOR1345	Dough scraper	3
ROCSR325	3.25" round biscuit cutter	1
DEXS284	Biscuit spatula with white handle	1
CAR0600F-02	6 qt. white flour container	1
DEX18193	3.5" Biscuit separator	2
BRO182DS	4" x 6" dough scraper, wood handle	1
ALI228-19	24" x 24" bakers board	1
SON15051831	Flour sifter	1
PCC228-57	Rolling pin - 1/2" thick	1
VOR47949	20 qt stainless steel mixing bowl	1
VOR5303	13" x 18" x 1" aluminum bake pan	10
CAR4040305	Pastry brush w/ hook, silicone	1
CAM64PP190	1/6 sz. food pan, 4" deep, clear	1
CAM100MCCWMDB135	32 oz. measuring cup, biscuits	1
TUC54152	4 fingered mitt	1
FFSW551-C	Pan holding rack	2
JRCBIAWH	White cotton apron	1
CAR0603-02	Lid, 6-8 qt. container	1
CAM60PPCH190	Lid, 1/6 size w/ handle	1
HKEHK18050	2.5 gal. basket, milk	2

*Kit items also sold separately

HK# HKN144-C Hotcake Kit*

HK#	Description	Kit Qty
PCC142-C	Dispenser, hotcake batter	1
CAR10734-02	Cambro container, 12 qt., white	1
CAR10742-60	Lid, for 12 qt. Cambro container	1
VOR47943	Bowl, 13 qt., mixing	1
FOCDFW-14	Whip, french, 14", s/s	1
RUB3216	Measuring cup, 32 oz., plastic	1
FFS27006705	Spatula, black handle, 4.25"	1
FFS27006706	Blades, 10:1 spatula (20/pack)	1

*Kit items also sold separately



HK# HKN297-C Bagel Smallwares Kit*

HK#	Description	Kit Qty
CAR398008	Green 4 oz. measure miser	1
SON15037035	.6 gram steak seasoning dispenser	2

*Kit items also sold separately





STAINLESS STEEL MIXING BOWLS



MXHV-500



MXBH-500



MXBT-500Q



MXB-500Q



MXRU-SERIES

HEAVY-DUTY MIXING BOWLS

ITEM	DESCRIPTION	SIZE (DIA X DEPTH)	UOM	CASE
MXHV-75	3/4 Qt	6-1/4" x 1-3/4"	Each	12/72
MXHV-150	1-1/2 Qt	7-3/4" x 2-1/4"	Each	12/36
MXHV-300	3 Qt	9-7/8" x 3"	Each	12/24
MXHV-400	4 Qt	10-5/8" x 3-1/4"	Each	12/24
MXHV-500	5 Qt	11-5/8" x 3-3/8"	Each	6/12
MXHV-800	8 Qt	13-3/4" x 5"	Each	6/12
MXHV-1300	13 Qt	16-1/4" x 4-1/2"	Each	12
MXHV-1600	16 Qt	17-3/4" x 5-1/2"	Each	12
MXHV-2000	20 Qt	18-3/4" x 5"	Each	12

DEEP MIXING BOWLS

ITEM	DESCRIPTION	SIZE (DIA X DEPTH)	UOM	CASE
MXBH-300	3 Qt	9" x 3-1/2"	Each	12/48
MXBH-500	5 Qt	10-1/4" x 4-1/2"	Each	12/36
MXBH-800	8 Qt	12" x 5"	Each	12/24
MXBH-1300	13 Qt	15" x 5-3/4"	Each	12

ALL-PURPOSE MIXING BOWLS

◆ True capacity for all-purpose kitchen prep work

ITEM	DESCRIPTION	SIZE (DIA X DEPTH)	UOM	CASE
MXBT-75Q	3/4 Qt	6-3/8" x 2-3/8"	Each	12/144
MXBT-150Q	1-1/2 Qt	7-7/8" x 2-7/8"	Each	12/144
MXBT-300Q	3 Qt	10-1/4" x 3-5/8"	Each	12/72
MXBT-400Q	4 Qt	11" x 3-3/4"	Each	12/72
MXBT-500Q	5 Qt	11-7/8" x 4"	Each	12/72
MXBT-800Q	8 Qt	13-3/4" x 5"	Each	12/36
MXBT-1300Q	13 Qt	16-3/8" x 5-7/8"	Each	12/24
MXBT-1600Q	16 Qt	17-7/8" x 6"	Each	12
MXBT-2000Q	20 Qt	19" x 6-5/8"	Each	12

ECONOMY MIXING BOWLS

ITEM	DESCRIPTION	SIZE (DIA X DEPTH)	UOM	CASE
MXB-75Q	3/4 Qt	6-1/4" x 1-3/4"	Each	12/144
MXB-150Q	1-1/2 Qt	7-3/4" x 2-1/2"	Each	12/144
MXB-300Q	3 Qt	9-1/2" x 3-1/2"	Each	12/72
MXB-400Q	4 Qt	10-5/8" x 3-1/2"	Each	12/72
MXB-500Q	5 Qt	11-1/2" x 3-1/2"	Each	12/72
MXB-800Q	8 Qt	13-1/4" x 4-1/8"	Each	12/36
MXB-1300Q	13 Qt	16" x 4-1/2"	Each	24
MXB-1600Q	16 Qt	17-3/4" x 5"	Each	12
MXB-2000Q	20 Qt	18-5/8" x 5-1/2"	Each	12
MXB-3000Q	30 Qt	22-1/2" x 7-1/2"	Each	12

SILICONE BASE MIXING BOWLS

◆ Non-skid silicone base helps to keep bowl in place during mixing and prepping

ITEM	DESCRIPTION	SIZE (DIA X DEPTH)	UOM	CASE
MXRU-150	1-1/2 Qt	6-3/4" x 3-3/4"	Each	48
MXRU-300	3 Qt	8-1/2" x 4-3/8"	Each	24
MXRU-500	5 Qt	10-1/4" x 5-5/8"	Each	24
MXRU-800	8 Qt	11-3/4" x 6-1/2"	Each	6/12



COOK RINGS + ACCESSORIES



HK# FFS27027600-1
Frame, for use with
round egg rings (8)



HK# PCC804-1S
Egg ring, scrambler
5"W x 3"D x 5"H
Fits model 804EGG



HK# FFS27027604
Round egg ring, silicone, white



HK# FFS27802552
Chicken ring wire form



HK# FFS27800042
Grill ring pick-up tool,
for use with the round egg ring
frame (FFS27027600-1) and the
narrow silicone grill ring
(FFS27027602-2)



HK# FFS27027602-2
Grill ring, 16", narrow, silicone,
for cooking eggs & chicken



HK# FFS27800648
Narrow silicone egg ring, black
16.5" L x 7.25" W x 1" H



HK# FFS27804908
Egg cup and frame for
combi oven round eggs
17.8" L x 5.7" W x 2.2" H



HK# FFS27802181
Dome egg ring cover
17" L x 7" W x 4.5" H



HK# FFS252754
Egg ring cleaning brush



HK# FFS27802180
Frame, for use with
round egg rings (4)



HK# FFS24120002
1/2 sz. cooking ring
14" L x 10" W x 4.25" H



HK# FFS4005047
Ring, 16" rectangle for
chicken/scrambled eggs

EGG SCRAMBLING TOOLS



HK# SON15036952
Manual egg scrambling fork.



HK# PCC804-S2
2-Section
manual egg scrambler



HK# PCC804-S4
4-Section manual egg
scrambler

For replacement parts, please see page 9.153

GRILL RELEASE SHEETS + RETAINER CLIPS



HK# SON15036997
Release sheet storage tray
Used to keep release sheets
flat and prevent creasing
during grill cleaning



HK# FFS27025634
Short teflon sheet retainer clip
For all grills, 6"



HK# SON15063726
Storage tube for release sheets



HK# ABS084366
Sheet, release for C852 grill
(3pack)

GRILL RELEASE SHEETS + RETAINER CLIPS



Release Sheets

Saint Gobain HK#	Taconic HK#	Used with Grill Models	Dimensions
SGA02701-003	N/A	Taylor intelli-gap grill, models C842 & C844/45, 9/pk.	30.5" W x 21.5" L
SGA02180-003	TAC02180-000	Garland 3-platen grill, models ME3W, MWG3W, MW3ES, 9/pk.	19.5" W x 24.75" L
SGA02175-003		Taylor 2-platen grill, model 11 turret, 6/pk.	24.5" W x 31" L
SGA02184-003	N/A	Taylor 2-platen grill, models 12, 15, 22, 22e, 28, 32, 34, 35 & 69, 6/pk.	30.25" W x 19" L
SGA02188-003	TAC02188-009	Taylor intelli-gap grill, models C832 & C835, 6/pk.	36.5" W x 19.75" L
SGA02174-003	N/A	Garland 2-platen grill, models MWE9801 & MWE9501, 6/pk.	25.5" W x 19.25" L
SGP12208-000	N/A	ADB front grill release sheet 6/pk.	8" W x 17" L
SGA13072-003		Garland upper grill release sheet for ME-3PX, 9/pk.	20.7"W x 24.7"L
SGP13071-000		Garland lower grill release sheet for ME-3PX, 12/pk.	12.5"W x 17.5"L
	TAC13180-000	Garland lower grill sheet next gen	17.5"W x 12"L
	TAC13180-003	Garland upper grill sheet next gen	25.71"W x 20.75"L
SGP54634B	N/A	CI4 silver/silver sheet for combi oven	11.75"W x 16.5" L

GRILL TOOL ORGANIZER-PAN + INSERT



HK# 81394 Grill Tool Organizer Pan & Insert, Stainless Steel, Dimensions: 10.5" W x 13" D x 3" H

HK#	Description
60211-02A	Pan, s/s
81394.01A	Insert, s/s
M-4-7	Rubber foot (used with models 81394 & 60211)
F-3-3	Nut, for rubber foot (used with models 81394 & 60211)





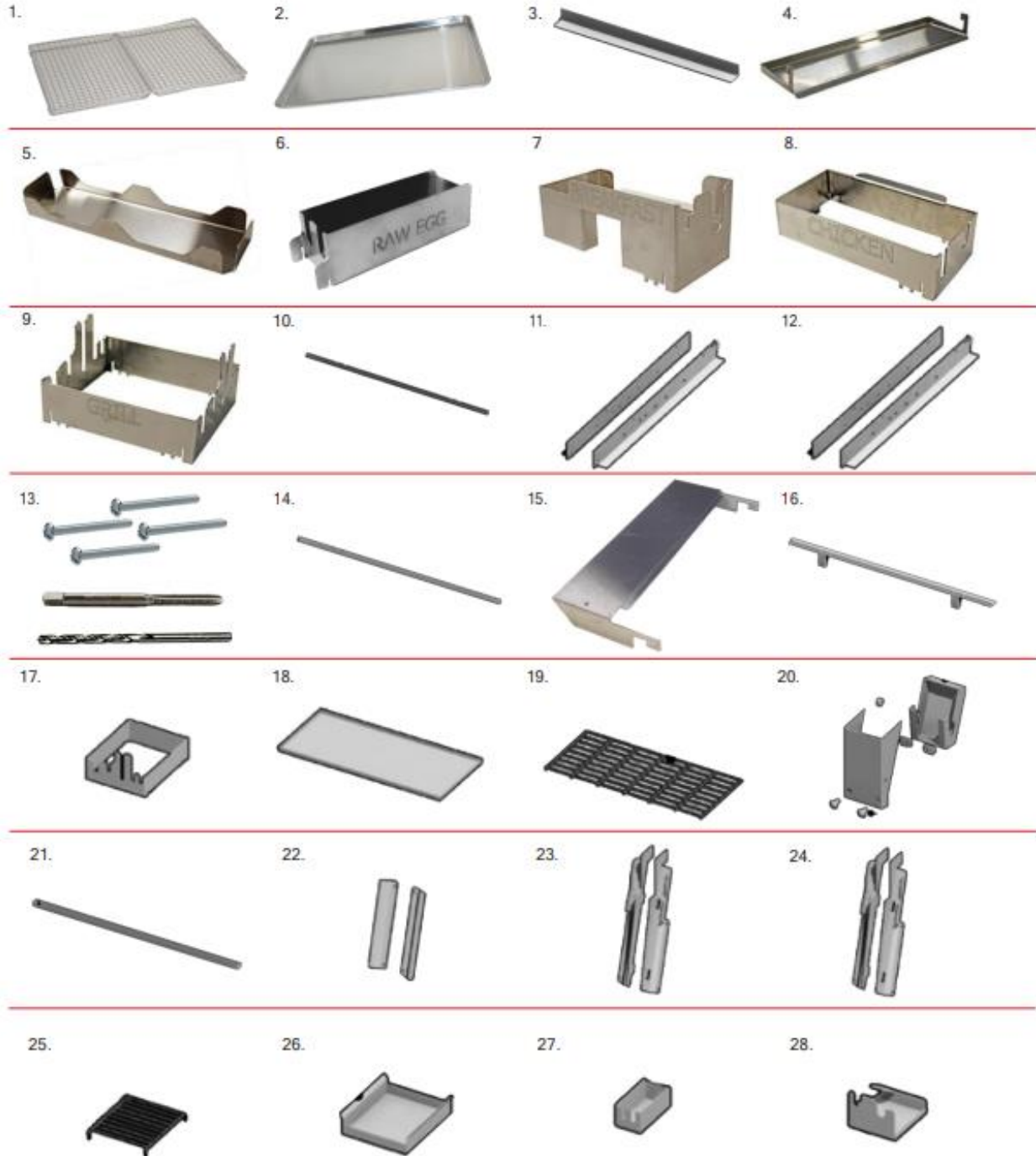
SMALLWARES

GRILL TOOL ORGANIZERS

Grill Tool Organizer Parts								
Item	HK #	Description	Universal Hood	A-Class/80 Series Hood	GSC/GG Series	92/94 Series Hood	McDin WM Combo/Hood	Iron Cooking
1	FFSHK17001-A	Rack, bacon	X	X		X		
2	VOR5303	Pan, bacon	X	X		X		
3	81300.05A	Shelf, grill station tool	X	X	X	X	X	
4	81300.08A	Holder, super spatula	X	X	X	X	X	
5	81300.06A	Pan, liner	X	X	X	X	X	
6	81300.04A	Tool module, raw egg	X	X	X	X		
7	81300.03A	Tool module, breakfast	X	X	X	X		
8	81300.02A	Tool module, chicken	x	X	X	X		
9	81300.01A	Cartridge, GTO	X	X		X		
10	81301.01A.001	Shelf mount, U profile	X					
11	81301.01A.002	Mounting angles	X					
12	81301.01A.003	Mounting angles	X					
13	81301.HRW	Hardware kit	X		X	X		
14	81302-01A-001	Shelf mount, U profile		X				
15	81302.01A.002	Mounting bracket		X				
16	81303.01A	GTO mount			X			
17	81300.09A	Tool module, grill			X			
18	81300.10A-001	Pan, scrap, small,			X			
19	H-18-317	Rack, wire, for scrap pan			X			
20	81303.02A.002	Inner clamp mount			X			
21	81308.05A	Shelf mount, U profile				X		
22	81301-00A-012	Mounting angles, inner				X		
23	81301-00A-014	Mounting angles, outer				X		
24	81301-00A-016	Mounting angles, outer				X		
25	H-18-334	Rack, debris pan						
26	81300.21A.001	Pan, debris						
27	81300.17A	Tool module, raw egg					X	
28	81300.16A	Tool module, breakfast					X	



GRILL TOOL ORGANIZERS



GRILL TOOL ORGANIZERS

Grill Tool Organizer Parts								
Item	HK #	Description	Universal Hood	A-Class/80 Series Hood	GSC/GG Series	92/94 Series Hood	McDin WM Combo/Hood	Iron Cooking
29	81300.19A	Tool module, chicken					X	
30	81300-00A-007	Tool module, GTO					X	
31	81301-01A-020	Shelf mount, U profile					X	
32	81300.00A.020	Mounting angle					X	
33	81300.23A	Tool module, GTO, shelf mount					X	
34	81300.32A	Holder, grill scraper						X
35	81300.33A	Holder, spatula & squeegee						X
36	78311	UHC meat tray holder- All grills except Next Gen Taylor						
37	65439	Grill spatula can, belly bar						
38	FOCSC-30S	Cylinder, silverware, s/s						
39	H-13-82	Angle, for GTO scraper holder, white plastic						
40	H-13-85	Angle, for GTO spatula/squeegee holder, white plastic						
41	86118	Belly bar-Used ONLY with Next Gen Taylor grills						
42	87072.57A	Fresh beef spatula GTO						

29.



30.



31.



32.



33.



34.



35.



36.



37.



38.



39.



40.



41.



42.



HD PREP TABLE-WIRE BOX HOLDERS + ACCESSORIES

PRINCECASTLE



HK# PCC333-OS8
8 Place box holder,
2 high x 2 wide,
dual sided
14" W x 13" D x 23" H



HK# PCC333-1W4
4 Place box holder,
2 high x 1 wide,
dual sided,
Mounts onto 333-OS4
or 333-OS8
7" W x 17.25" D x 17.75" H



HK# PCC333-2W4
4 Place box holder,
1 high x 2 wide,
dual sided,
Mounts onto 333-OS4
or 333-OS8
14" W x 17.25" D x 7" H



HK# PCC333-002S
Box holder bracket,
replacement



HK# PCC333-P1
Single printer bracket,
for box holders
7" W x 10" D x 8" H



HK# PCC333-P2AB
Bracket, dual print
AB switch holder



HK# PCC333-P2KIT2
Bracket, dual print AB kit



HK# PCC333-P2UHC
Bracket,
dual UHC holder



HK# PCC334-5W10
10 place UHC box holder,
1 high x 5 wide, dual sided
29" W x 25.5" D x 12" H

BOTTLE WARMER



HK# 90016-M
Bottle warmer 120v



HK# E-1-43-28
30104 Adapter
5-15P TO 2 X 5-15R WS076



HK# SON15212216
Cup, Butter Qing



HK# SON15212217
Lid, for Butter Qing Cup

UHC TABLES + ACCESSORIES



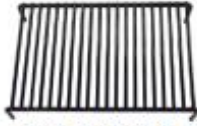
HK# FFS18013756
Tool organizer, bacon/cheese



UHC Bracket and Utensil Holder Mounts Under UHC Shelf, Stainless Steel

HK#	Used With
80097	High Density UHC Tables 62764, 62824, 64100, 64739, 69481, 70029, 77200, 78004, 80056, 80057, 80235, 81007
69111	UHC Table 81007, 70029 & Non HD UHC's

ABS + DRIVE-THRU ACCESSORIES



HK# H-18-224-B
Replacement grate, black
for table 77505 and 71172



HK# FFS78405-00A-002
Spoon wash clip, wall mount
Holds (2) FFS78405-00A-001
spoon wash brackets



HK# 67375
POS shelf, wall mount s/s
Holds POS order taking
display pad, 12" W x 12" D



HK# 78400
POS register shield s/s
13" W x 20.75" D x 16" H
Fits models before 2012



HK# 78446
Receipt printer shelf
14" W x 14" D x 12" H



HK# IMI629088642
ABS staging shelf
mounts to front of the
ABS drink staging



HK# H-5-57-17
Wall mounted bracket for LCD
monitor, 2-8" arms included,
Monitor **NOT** Included



HK# IMI629088793
ABS splash shield,
mounts to right side of
ABS conveyor via magnet



HK# 78107
Dome lid/bump bar bracket
12" W x 12" D x 6" H



HK# 83152
Bracket, fixed for adjustable monitor
10.25" W x 15" D x 17.5" H

CHICKEN BASKETS



HK# PCCMCD-320-PDC
Full size basket,
with 4 sections and
black handle
Use: McNuggets



HK# HKEHK18035
Basket, 1/2 size, black, straight wall



HK# PCC1851
Transfer basket, used
with VOR30022
Use: McNuggets



HK# HKEHK18028
Half size basket, with 2
sections, straight wall,
black handle
Use: Crispy Chicken &
McChicken



HK# HKEHK18035G
Basket, 1/2 size, frozen tenders,
green, straight wall

HASH BROWN BASKETS



HK# VOR30022
Pan, full sz.
12.75" W x 21" D x 2.5" H

HK# FFS27802550
Split vat hash brown basket
Use: Hash browns, Pitco only



HK# SON15051848
Tray, hash brown
crumb for wire rack

HK# FFS27802549
Basket for Pitco Perfect
Fry holds 8 hash browns
Use: Hash browns

HK# FFS27801968
Rack, hash brown crumb
12.6" x 10.7" x 17.6"
Holds 1/4 size baking pan



HK# H-18-266
HK# H-18-267
Tray, euro,
hash brown transfer
Size specific-
Please call
Customer Service
for assistance

FRY BASKETS



HK# PCC216258
Full size open basket, with
runners, and red handle
Use: Fries
(Not for frozen fry dispensers)



HK# PCC211BLK
Full size open basket, without
runners, with black handle
Use: Fries
(Use with frozen fry dispensers)

FISH BASKET



HK# PCC254-BLK
Half size basket
With 8 sections and black handle
Use: Fish

PIE BASKET



HK# PCCAW-393-T
Teflon coated pie basket
US Regional & International
Standard
Use: Pies

FRYER ACCESSORIES + CLEANING



HK# SON15160887
Black transfer tray



HK# SON15123413
Gray transfer tray



HK# HKEHK18055
Rack, fried product basket



HK# FFS27804389
Rack, donut sticks for euro



HK# HKEHK18057
Submerger, full sz



HK# FFS27012683
Bucket, frozen fry storage, blue

HK# FFS27012684
Lid, bucket, frozen fry storage
Blue may ONLY be used in conjunction with frozen fry dispensers



HK# FFS27025423
French fry waste bucket, with English/Spanish print



HK# FFS27018303-1
Fine mesh fry vat skimmer, with closed loop handle and scraper
5" W x 20.5" D x 6" H



HK# 1879
Fry skimmer can
12" W x 4" D x 12.5" H



HK# F8030107
Basket, mesh sediment left
HK# F8030108
Basket, mesh sediment right



HK# PCC257-2
Velcro
For use with fryer cleaning tool model 257



HK# FFS27802647
Skimmer holder for Perfect Fry skimmer HK# 27802551



HK# FFS27802551
Fine mesh skimmer for Perfect Fry fryer



HK# FFS4008668
Scoop, sediment universal



HK# HEN85378
Decal, replacement display for LVX20X. Used for LOV controllers for gas/electric Henry Penny fryers



HK# F8160117PK
O ring, 7/8", for BIMH14 (10/pk.)



HK# KAY92214943
Kit, grill recovery
Includes double sided cleaning brush & scraper

HK# KAY04213-093 Fryer Cleaning Tool Kit

HK#	Description	Kit Qty
KAY04377-030	Blue handles	1
KAY04136-024	Wire brush	1
KAY04238-081	Sock pad head	1
KAY01391-006	Sock pad (10/pk)	1

*Kit items also sold separately

FRYER ACCESSORIES + CLEANING



HK# HEN03623
Cover, electric split vat
For Henny Penny only



HK# HEN03624
Cover, electric full vat
For Henny Penny only



HK# HEN03647
Cover, gas split vat
For Henny Penny only



HK# HEN03646
Cover, gas full vat
For Henny Penny only



HK# HEN12126
23" Cleaning brush for
all Henny Penny Fryers



HK# F8239414
Cover, full vat,
Frymaster



HK# F8030197
Clean-out rod, 29"



HK# FRK226-1003
Clean-out rod, 28"



HK# HEN12116
20" Cleaning brush for
all Henny Penny fryers



HK# HEN12112
27" Cleaning brush for
all Henny Penny Fryers



HK# HEN74725
Henny Penny
lift element handle



HK# HAL11663
Brush, clean out tool for
jet capture filter



HK# HAL11175
Rod, clean out tool for jet
capture filter



HK# HAL11176
Handle ring, clean out
tool for jet capture filter

GAS HOSES



*All Hoses also available in
.75" Diameters

Gas Hoses

HK#	Size
COI19902B	2 Foot, 1" Diameter
COI19902A	3 Foot, 1" Diameter
COI19902	4 Foot, 1" Diameter

Gas Hose Kits*

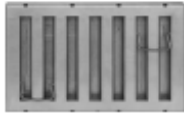
Kits Include: (1) Gas Connector, (1) Brass Quick Connect, (1) Gas Valve, (1) Restraining Chain, (1) Close Nipple, (2) 90 Degree Elbows

HK#	Size
COISSCG10024UCKIT	2 Foot, 1" Diameter
SSCG100-36UCKIT	3 Foot, 1" Diameter
COISSCG10048UCKIT	4 Foot, 1" Diameter

Gas Hose With Quick Disconnect

HK#	Size
COI19902B-QD	2 Foot, 1" Diameter
COI19902A-QD	3 Foot, 1" Diameter
COI19902-QD	4 Foot, 1" Diameter

HOOD FILTERS



HK# HK18101

Hood filter, zinc plated iron
for universal hoods
15.5" W x 9.5" D x 1.5" H



HK# HK18102

Hood filter, zinc plated iron
For universal hoods
19.5" W x 9.5" D x 1.5" H



HK# HAL11074

Filter, 9" x 9" Halton

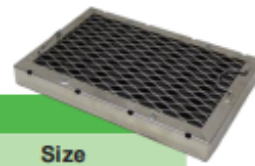


HK#	Size
FCG19001954	16" W x 10" H x 2" D
FCG19001953	20" W x 10" H x 2" D
FFSCF-1616	16" W x 16" H x 2" D
FFSCF-1620	20" W x 16" H x 2" D

Please call Customer Service for additional sizes.

Fryer Cascade Plus Hinged Filters		
HK#	Description	Used with Filter Media
FCG27804178	9.5" x 15.5"	FFI19011693
FCG27804179	9.5" x 19.5"	FFI19011694
FFI27804764	13" x 15.5"	FFI19011695
FFI27804765	13" x 19"	FFI19011696
FFI27804835	13" x 23.3"	FFI19011703
FFI27805040	11.5" x 15.5"	FFI19012388
FFI27805041	11.5" x 17.5"	FFI19012389
FFI27805042	11.5" x 19.5"	FFI19012390
FFI27805043	11.5" x 23.5"	FFI19012391

Please call Customer Service for additional sizes.

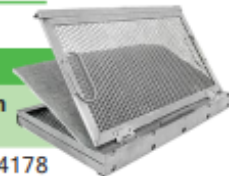


Flame Guard Filters

HK#	Size
COMFG9.5X15.5	15.5" W x 9.5" H
FLAMCD120	19.5" W x 9.5" H
COMFG11.5X15.5	15.5" W x 11.5" H
COMFG11.5X17.5	17.5" W x 11.5" H
COMFG11.5X19.5	19.5" W x 11.5" H
FLAMCD123	23.5" W x 11.5" H
COMFG13X15.5	15.5" W x 13" H
FLAMCD139	19" W x 13" H
COMFG13X23X17/8	23" W x 13" H
COMFG15.5X15.5	15.5" W x 15.5" H
COMFG15.5X19.5	19.5" W x 15.5" H
COMFG19.5X9.5	9.5" W x 19.5" H

Fryer Filter Media (Case of 40)

HK#	Description	Used with Filter
FFI19011693	9.5" x 15.5"	FCG27804178
FFI19011694	9.5" x 19.5"	FCG27804179
FFI19011695	12.25" x 15.5"	FFI27804764
FFI19011696	12.25" x 19"	FFI27804765
FFI19011703	12.25" x 23.3"	FFI27804835
FFI19012388	10.75" x 15.5"	FFI27805040
FFI19012389	10.75" x 17.5"	FFI27805041
FFI19012390	10.75" x 19.5"	FFI27805042
FFI19012391	10.75" x 23.5"	FFI27805043



GREASE CUPS-STAINLESS STEEL



HK# UH3401-02A

Hood type

Universal hoods prior to 2002
1.125" W x 3.375" D x 3" H



HK# UH340201-02A

Hood type

Universal hoods years 2002,
2008 and current
1.125" W x 4.375" D x 3" H



HK# 7082

Used on 92/94 series hoods
6" W x 1.8125" D x 1.5" H



HK# 1519

Used on A class and
80 series hoods
1.25"W x 3"D x 3.75"H

GREASE TROUGHS - WELDED IN FOR UNIVERSAL HOODS



HK# 87115

Left hand grease trough
40.75" long, for grill area

GRILL SPLASH SHIELD



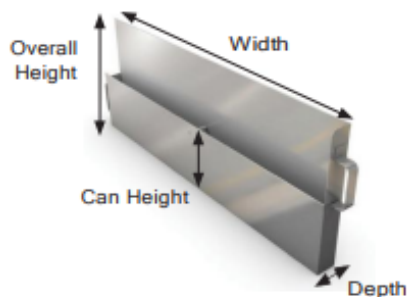
HK# GAR4604253

Shield, splash
ME/MG series

GREASE CANS

Replacement Grease Can Orders

How to Measure



Please contact H+K customer service to order.

1-800-521-3987 or chicago.customerservice@hki.com

Images of your equipment may be required to confirm proper fitment

BLANK OFF PLATE



HK# 81393

Timer blank off plate,
for H+K fry hood,
16" W x 5" D x 1" H



HK# 81392

Blank off cover, for covering
hood mount timer holes
18" W x 5" D x .06" H



HK# 79038 (A class)
HK# 79039 (80 series)

Blank off plate to cover spaces left from 80 series
and A class bagging stations' euro installations

GAPPING TOOL



HK# FFS27800586

Clamshell grill gapping tool
4:1, 12" Long
For LRS

CONVECTION OVENS + ACCESSORIES



HK# GAR-MCOE5LDSMD (208V)
HK# GAR-MCOE5LHSM (240V)

Garland electric convection oven
mounted on 6" casters
3 phase
Weight: 300 lbs
Dimensions: 30.5" W x 30.25" D x 25.75" H
Plug configuration: 8' cord with 15-30P plug
Includes 3 removable racks

HK# GAR-4529069

Stacking kit for Garland oven
Replacement Parts Can Be Found On 9.90



HK# MKC1027800

Casters, 4" swivel without brake
for use with Garland
GAR-MCOE5LDSMD

HK# MKC1027801

Casters, 4" swivel with brake
for use with Garland
GAR-MCOE5LDSMD



HK# RAWL430R9

Receptacle, 3P4W/30A/250VAC
**Needed for stores replacing an old
Hobart with the
Garland MCOE5LDSMD or
Wells 4200 convection oven.**

An electrician will need to install (1)
L430R9 receptacle due to the voltage/
phase difference between the Hobart and
Garland convection ovens. Please direct any
questions to one of our knowledgeable
Customer Service Representatives.

UHCs



Features:

- Touchscreen model
- 6 Shelves with independently programmable temperature controls
- 18 slots (3 per row) accommodate a wide range of menu items
- 3 unique time and product setting offered per row
- Global timer and temperature buttons
- Individual row power controls
- Dual-sided access and displays
- Audible and visual end-of-hold time alarms
- Hard anodized heating surface enhances performance and increases durability

HK# FUHCTHD6TP
UHC touch P/S 2-side 6-shelf
HK# FUHCTHD6TT
UHC touch T/L 2-side 6-shelf



Must purchase
HK# 80097
Utensil mounting bracket



Features:

- 6 Shelves that hold up to 18 UHC trays
- First in/first out inventory control system ensures correct order of food
- Control individual time and temperature for each shelf
- Easy programming via the onboard main display (USB programming capabilities)
- Designed with modular components eliminating the need for expensive service calls

HK# PCCUHC6PT-22MCD
Prince Castle High Density UHC Cabinet, 2 sided,
6 shelves, 18-slot (trays sold separately)
Voltage: 208V
Weight: 230 lbs
22" W x 25.25" D x 22.5" H
Plug configuration: pin & sleeve



Must purchase
HK# 80097
Utensil mounting bracket

ACCESSORIES



Cable and USB Software

HK#	Description
F8263070	Cable and USB software kit
F8263060	USB software
F8075264	Cable



HK# FFRYMASTER USB
USB, Frymaster UHC upgrade



HK# PCC547-V038S
USB, Prince Castle UHC upgrade

FRY BAGGING STATION



HK# FB25-A
36" fry bagging station
Left side end glass assembly
36.25" W x 31.25" D x 59.5" H

HK# FB25X-A
36" fry bagging station
Right side end glass assembly
36.25" W x 31.25" D x 59.5" H

HK# H-5-13
Black handle
Used for FB08-FB25 only
or center island

HK# H-1-24-6
Hinge

MIRRORS + END GLASS



Mirror Assembly

HK#	Dimensions	Use on Models
FB25-04A	34" W x 14.5" D	FB25
FB20-07A	33.25" W x 14.5" D	FB08, FB20, FB22

Additional crating charges apply



End Glass

HK#	Dimensions	Use on Models
FB25-03A	14.75" W x 18.25" D	FB25
FB08-06A	17.75" W x 18.25" D	FB08, FB20, FB22

Additional crating charges apply

Channels for End Glass

HK#	Dimensions	Use on Models
FB25-02A	20 W X 1.5" D	FB25
FB08-05A	23.5" W x 1.75" D	FB08



HK# FB25-15A
End glass, 18.25" and support
channel used on H+K models
FB25
20" W x 18.25" D

Call H+K International at 1-800-521-3987 for additional mirrors & end glass for older models.

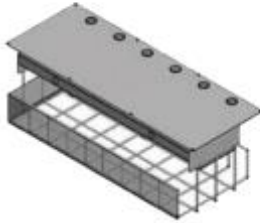
BLANK OFF PLATES

HK# 79038
Blank off plate for Class A fry
bagging stations
Covers fry box holder opening
7" W x 7.75" D x .25" H



HK# 79039
Blank off plate for 80 series fry
bagging stations
Covers fry box holder opening
8" W x 10" D x .25" H

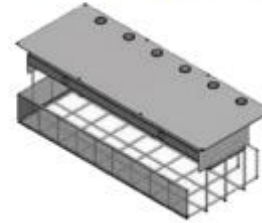
FRY STATION/EURO-FRY RETROFIT



HK# 79177
Lamp System for fry bagging station with Euro-Retrofit "A" class bagging station
Call H+K International for details



HK# 79178
Lamp system for fry bagging station with Euro-Retrofit "B" class bagging station
Call H+K International for details



HK# 79180
Lamp system for fry bagging station with Euro-Retrofit "80" Class Bagging Station
Call H+K International for details



HK# E-1-187
New & Improved!
Fry Bagging Station Sockets for use on H+K FB01, FB08, FB20, FB22, FB25 and many other Fry Bagging Stations



HK# RAW375
Clear infrared lamp
375 Watt



Wire Bulb Guard

HK#	For Fry Bagging Station Series
H-18-291	80 & 92 Series
H-18-122	FB08, FB20, FB22
H-18-109	FB01 (94 series)
H-18-280	FB25

Call H+K Customer Service for help identifying your series.



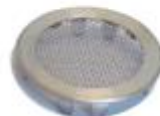
HK# 90023
Bracket, Bag/Box Holder for 80 series fry bagging station



HK# H-1-0
Catch, magnet, used on H+K fry station doors
0.5" W x .75"D x 2.5" H



HK# H-18-321
Kid fry box holder
9.75" W x 3.25" D x 3.5" H



Vent Plugs for H+K Fry Stations

HK#	Size
H-3-10	1.75" Diameter
H-3-9	1" Diameter



HK# FFS121274-7
Label, fryer front, multicolor

TOASTERS-MUFFIN ONLY



Features:

- Toasts up to 12 muffins (12 halves) at one time
- Partial load switch for toasting smaller batches
- Redesigned controller and upgraded software for improved quality and consistency
- Energy conservation mode automatically reduces power consumption when chamber is empty
- Use muffin spatula HK# FRS20381116

Antunes Model MT-12 Muffin Toaster
Weight: 56 lbs, 15.75" W x 26.75" D x 8.25" H

HK#	Model	Plug
ANT9200134	MT-12CS	Twist lock
ANTMT-12RD	MT-12RD	Pin & sleeve

HK# ANT210K230
Leg kit for toasters

TOASTER ACCESSORIES



HK# PCC340-482S
Cleaning tool, for Prince Castle model 340-URT toasters



HK# ANT0504371
Breakfast chute, for Antunes universal toaster model UTX-200L



HK# FRS20381116
Spatula with angled edges for buns and muffins. Used with MT series Antunes muffin toaster

Release Sheets for use with Antunes UTX-200L Toasters

HK#	Package Quantity
ANT7000496	3 Pack
ANT7000495	10 Pack



HK# ANT7001029
Curtain kit for HRT-5H toasters, 2 pack



HK# ANT7001188
Bun chute, for Antunes model CTX-200 toasters



Antunes Drive Belts

HK#	For Model	Description	Package Qty
ANT7000512	CTX-200L	Teflon drive belt	2/pk.
SGA05623-009	HCT-5H	Crown belt	2/pk.
SGA01630-039	HCT-5H	Main belt	1/pk.
SGA01630-042	HCT-5H	Heel/club belt	1/pk.
SGASB-13037	HCT-5H	Complete belt kit	2 crown, 1 main, 1 heel/club belts



HK# ANT7001219
Bun feeder, for Antunes model HCT-5H toasters



HK# ANT7001183
Toaster (stacking) divider for HRT-5H, HCT-5H

TOASTER ACCESSORIES



HK# SGA07409-024
(4) platen release sheets for Prince Castle CBT toaster

HK# SGA05623-012
Club belt set (2 belts) for Prince Castle CBT toaster



HK# PCC340RR
Rear riser, for Prince Castle Universal Rapid Toaster model 340-URT

HK# SGA07409-015
Release sheets, for Prince Castle model 340-URT toasters
Includes (2) Platen release sheets, (2) club platen sheets and (4) club assembly sheets



HK# PCC353-322S
Belt, 3mm w/106 teeth



HK# PCC353-575
Sheets, release for CBT (4/pk)



FREEZERS-WALL MOUNT

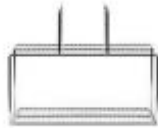


HK# HCWF1C-01P
H+K wall mount freezer,
single door, s/s, propane
Voltage: 120V
Door is reversible
28.25" W x 24" D x 44.75" H
R290 Refrigerant

HK# HCWF1.99A
Required hardware kit for H+K wall
mount freezer model HCWF1



FREEZERS-WALL MOUNT SHELVING



HK# 77490
Single shelf, with fixed dividers,
For WF03 single wide freezer
23" W x 10" D x 18" H
Replaces H-18-16



HK# 77491
Double shelf, with fixed dividers,
For WF04 double wide freezer
50" W x 10.25" D x 11" H
Replaces H-18-105



Left Side



Right Side

FREEZERS-GRILL SIDE MEAT



H+K High Capacity Modular Grill Side Meat Freezer, Propane
Stainless Steel, Digital Controls, Self Defrosting Voltage: 120V

HK#	Energy Star	Dimensions	Footing	Condenser Location
HCMF30C-01P-LH	No	30" W x 36.75" D x 53.5" H	3" Casters	Left side
HCMF30C-01P-RH	No	30" W x 36.75" D x 53.5" H	3" Casters	Right side

HK# HCMF18C-01P
H+K high capacity modular grill side meat freezer,
s/s, digital controls, self defrosting
Voltage: 120V
R290 Refrigerant
18.75" W x 37.75" D x 53.5" H



REFRIGERATION/FREEZER HOLDERS + SHELVING



HK# HKEHK18050
Milk basket, 2.5 Gal.
used on Melitta, BUNN,
and Franke espresso
machines
10.375" W x 11" D x 10" H



HK# BEV-403-826B
Milk bag shelf
For beverage air refrigerator
model WTR27A-SR



HK# BEV-403-169A
Shelf clip
for use with milk bag shelf
model BEV-403-826B



HK# BEV00B27-132D-01
Whipped cream holder assembly
For specialty coffee refrigerator
Models WTR27A-SR and DS406



HK# COM1321-106
Pilaster clip for
reach in freezer or
refrigerator



HK# DEL3235014
Clip, milk bag shelf
for use with shelf
HK# DEL3978271



HK# COM2723-108
Pilaster strip 15" H for
reach in freezer or
refrigerator



HK# TRASHSELF48-UPPER
Upper shelf for all 48" models



HK# TRASHSELF48-LOWER
Lower shelf for all 48" models



HK# COMT32-5020
Pilaster thumb screw for
Pilaster strip HK# 2723-108



HK# 77452
Screw mount spoon holder and waste
can, for undercounter refrigerator
without shoulder mounts on front
door, white cylinder included
Spoons sold separately on page 3.11



HK# 78271
Shoulder mount spoon holder and
waste can, for undercounter refrigerator
with shoulder mounts on front door,
white cylinder included
Spoons sold separately on page 3.11



HK# 78271-01A
Waste can, s/s

REFRIGERATION/FREEZER-CLOSERS, HINGES, + LATCHES



HK# NOR119142
Lock - cooler/freezer door
5" W x 16" D x 1.5" H



HK# KAS10056H05020
Latch, 0056, w/heavy
spring, chrome



HK# KOL500002439
Treadle, foot, for walk in



HK# NOR119144
Strike plate - Retrofit
6.25" W x 4" D x 2.5" H
(Necessary for non-Norlake door
applications.)



HK# KAS14082-2565
Hydraulic door closer
For walk-in refrigerator
or freezer doors
3.25" W x 2" D x 7.75" H



HK# KAS1095-000013
Concealed body door
closer, hydraulic

HK# KAS11094000013
Concealed body door
closer, hydraulic



HK# KAS11256000004
Kason 1256 hinge
for walk-in refrigerator
or freezer doors
1.5" W x 7.25" D x 7" H

HK# KAS11255000001
(Brushed chrome)

HK# KAS11255000003
(Chrome)

Kason 1255-1
Spring cartridge kit
Converts
HK# KAS11256000004 to
a spring closure to assist
for greater closing force



HK# 1-0931-00-0016
Door latch 6" L
for walk-in refrigerator
or freezer doors



HK# KAS1-0931-00-0012
Door strike kit, includes
latch & strike for walk-in
refrigerator or freezer
doors

REFRIGERATION/FREEZER-CLOSERS, HINGES, + LATCHES



HK# KAS11245000028
Hinge, cam-rise, rev,
polished chrome



HK# KAS11245000088
Hinge, cam-rise, rev,
brushed chrome



HK# KAS11094000026
Hook, adjustable flush to
3/4" offset, polished chrome



HK# KAS11248000004
Hinge, spring assisted, rev,
cam-rise, polished chrome



HK# KAS11248000028
Hinge, spring assisted,
brushed chrome



HK# KAS11094000027
Hook, adjustable 7/8"-1-5/8"
offset, polished chrome



HK# KAS11346000004
Hinge, flush, adjustable, performer,
polished chrome

HK# KAS11346000014
Hinge, flush, adjustable, performer,
metal cover



HK# KAS11095000013
Door closer,
spring action,
chrome finish

LED LIGHTING-WALK-IN



HK# KAS1808LED
Fixture, compact led light
Replacement or upgrade for any walk-in freezer
90-305 VAC, 50/60Hz, 13.5Watts
5.5"W x 5.5"D x 3.25"H



HK# KAS1901A
Motion detector with
sensor and mounting arm
Voltage: 120-277 VAC
4.75" x 4.75" x 2"

HK# KAS1810LXLED
4' light fixture
2 lamps, 39 total watts
Voltage: 120V, 3770 total Lumens output
50" W x 6.25" D x 2.75" H



REFRIGERATION/FREEZER - LIGHTING



HK# COM17401-1075
Light globe
Polymer coated glass

HK# COML10-X008
Light globe, plastic



HK# BAL017253
Wire globe cage

ICE MACHINES



Please contact H+K International at 800-521-3987 for a complete analysis of what ice maker might be right for you.



- Available in backroom, ABS, or self-serve configurations.
- All ice makers are self-diagnostic.
- Many ice maker models are Energy Star rated.



ICE BINS, CLEANING, + ACCESSORIES



HK# 79107-03A
Ice scoop holder
For high capacity
ice bin models
79243 & 7910



HK# CI100-18A
Cover, ice bin
assembly



HK# 0006-C
Ice scoop
front holder, s/s



HK# 0650-01A
Ice scoop rear
holder, s/s



HK# PCC-184
Plastic ice bin filler
with mounting bracket



HK# VOR7003
Wall bracket,
for VOR7001
safety mate
ice porter, blue



Ice Tote-SaftIce		
HK#	Gallons	Lbs. (when filled)
SJSI6000	6	25 lbs.
SJSI6100	5	20 lbs.



Ice Tote-Ecolab			
HK#	Gallons	Lbs. (when filled)	Color
ECO30530-00-31	6.5	25 lbs.	Clear
ECO30531-00-31	5	20 lbs.	White



HK# MKC000005162
Cleaner, ice
machine, pint



HK# VOR7004
Lid, for 7001 safety
mate ice porter, blue



HK# VOR7001
Blue safety mate
ice porter, 30lb capacity

ICE SCOOPS



HK# SJX200140
Bracket, for
Saf-T-Scoop
replacement



HK# SJX200109
Bracket, for
Saf-T-Scoop
replacement



SAF-T ICE Scoops

Scoop with
Guardian Handle
and Holder*

Scoop Only

HK#	HK#	Oz.
SJSI5000	SJSI5500	6-10
SJSI7000	SJSI7500	12-16
SJSI7750	N/A	20-24
SJSI9000	SJSI9500	64-86



HK# MANK00482
Holder, scoop, hanger
type for F-Series Bins



HK# MANK00461
Holder, scoop,
external



HK# MANK00463
Holder, ice-scoop,
external



HK# GMD040004783
Manitowoc ice scoop



HK# MAN000015595
Scoop, ice, plastic,
replacement



HK# RUB2882
Scoop, plastic, 6 oz.



HK# RUB2885
Utility scoop,
white, 64 oz.



HK# VOR14001
Ice scoop, s/s, 9.5"



Ecolab Ice Scoops	
HK#	Oz.
ECO30541-00-00	16
ECO30540-00-00	64



Ecolab Ice Scoops & Holders Kit	
HK#	Oz.
ECO30541-90-00	16
ECO30540-90-00	64



Utility Scoops-Clear	
HK#	Oz.
RUB2884	32
RUB2886	64



Scoops - Aluminum	
HK#	Oz.
VOR46891	12
VOR46892	24
VOR46893	40
VOR46894	55

LABEL DISPENSERS-MANUAL



HK# FFS18005338
Shelf, printer w/paper holder



HK# ECO11343-01-00
Daydot dispenser,
For 2.75" wide roll



HK# ECO11345-01-00
Daydot dispenser,
For 1.5" wide roll



HK# ECO11401-01-00
Daydot dispenser,
5 Roll, 1/2" label,
salad program



HK# H-18-371
Replacement pin
2/pk.
Only for use with
HK# FFS27010704



HK# FFS27010704
Grill sticker dispenser, dual
sided, universal model
For 12" and 13" overshelf
May also be side mounted
2.25" W x 12.75" D x 5" H



HK# HKEMTEL-HKN94
Dual label dispenser, universal model
for 12" and 13" overshelf and for side
mounting to prep table overshelf,
Holds 4 rolls of labels, stainless steel
12.75" W x 2.75" D x 8.5" H

HK# HKEHKN94-PIN
Replacement pin 2/pk.
Only for use with HK# HKN94

Monarch[®] Products and Services



Printer Systems Division
(formerly PAXAR GSCS)
Representing Monarch-
brand Products and Services

- 7" display
- Holds all your secondary shelf life times, making compliance a no-brainer
- Allows for on screen editing of items
- Internal clock auto-adjusts for daylight savings time
- Auto feed simplifies label loading
- Operator screens are dual language programmable for worldwide adaptability
- Out of the box ready to wall mount or rest on a shelf
- Printer is shipped with 6 rolls of labels in the box

LABEL PRINTERS



HK# AVE710010
Food freshness labels, case (23,340 labels)
Used with Ithaca labeling system model
9700 and with Avery Dennison labeling
system models 9417 and M09415SPMCD
Can be used with Avery and Ithaca labelers

Avery Dennison Food Freshness Labeling System (Labels Sold Separately)
Voltage: 120, Weight: 10 lbs, 12" W x 8.5" D x 10" H

HK#	Description
AVEMCD9417-02	Dual printer (shown)
AVEMCD9417-01	Single printer
AVEM09417	Service contract for 9417 models - includes unlimited print head replacements, preventative maintenance, coverage for damage or accidents, next day repair & return shipping

DIGITAL THERMOMETERS



DIGITAL

- ◆ Protective sleeve included
- ◆ Excellent, quick response times for fast temperature readings

ITEM	NSF	TEMPERATURE RANGE	LCD	PROBE	GUIDELINE ON DIAL	MOUNTING / OTHER FEATURES	UOM	CASE
TMT-DG1	NSF	-40° - 302°F; -40° - 150°C	1"	4-3/4"L	Meat Cooking Temperature Guide		Each	12/144
TMT-DG2	N/A	-49° - 392°F; -45° - 200°C	1-3/16"	4-3/4"L	Meat Cooking Temperature Guide	• Easy-Read LCD • Head Swivels 180°	Each	12/72
TMT-DG4	NSF	-40° - 450°F; -40° - 230°C	1-1/4"	3-1/8"L	HACCP	• Hold Function	Each	3/144
TMT-DG5	N/A	-49° - 392°F; -45° - 200°C	1-3/8" Back-Lit	2-7/8"L	Meat Cooking Temperature Guide	• Min. & Max. Feature • Hold Function • Hanging String	Each	12/72
TMT-DG6	N/A	-58° - 572°F; -50° - 300°C	1-7/8"	6"L		• Flip-Down Stand • Magnet Included	Set	24/96

WATERPROOF DIGITAL THERMOMETERS

- ◆ Compact pen-style thermometers provide fast temperature readings for liquids or solids
- ◆ Minimum & maximum hold feature

ITEM	NSF	TEMPERATURE RANGE	LCD	PROBE	GUIDELINE ON DIAL	MOUNTING / OTHER FEATURES	UOM	CASE
TMT-WD1	NSF	-58° - 392°F; -50° - 200°C	7/8"	2-3/4"L		• Hold Function • Protective Sleeve	Each	24/96

INFRARED THERMOMETER

- ◆ Simply point infrared light at surface for accurate temperature reading of all kinds of cooked or baked goods, without the risk of cross-contamination.
- ◆ 20 second automatic power off
- ◆ Distance to spot ratio 12:1

ITEM	NSF	TEMPERATURE RANGE	LCD	PROBE	GUIDELINE ON DIAL	MOUNTING / OTHER FEATURES	UOM	CASE
TMT-IF1	N/A	-26° - 608°F; -32° - 320°C	1" Back-Lit	N/A		• Auto temp. hold • Laser ON/OFF	Each	12/48

THERMOMETERS-DIGITAL



HK# T-9940
Panel mount digital thermometer with dome flange cover (-40° - 120°F)
AA battery included



HK# ATKDPP800W
Digital pocket test thermometer (-40° - 450°F)



HK# RRT3585070
Digital solar powered Thermometer, 3" (-40° - 100°F)



HK# ATKNSP1413-1
Aqua Tuff recording thermometer



HK# ATK32311-K
Economy thermometer



HK# NOR139780
Digital thermometer with Hi/Lo alarm



HK# ATK92020-01
Thermometer, Multi-function w/probe



PROBES



HK# ATK52048-K
Thermocouple probe (solid simulator)



HK# ATKNSP-0213-1
Fry vat probe



HK# ATKNSP-1278-0
UHC probe



HK# ATKNSP0218-1
Frozen product probe



HK# ATKNSP0214-1
Needle probe



HK# ATK50001K
Right angle surface temperature probe (used with chilled rail)

PROBES



HK# ATKNSP-0216-2
Hot/cold air oven probe



HK# ATKNSP-0284-1
Griddle probe, with sensor



HK# ATKNSP0305-0
Probe brush



HK# ATKNSP0217-1
Patch cord, (Henny Penny)

TEMPERATURE MEASUREMENT KITS



Atkins Q.A-Temperature Measurement Kits with Case

HK#	Description	HK Kit# ATKNSP0828-5	HK Kit# ATKNSP0223-12	HK Kit# ATKNSP1317-5	HK Kit# ATKNSP1316-2	HK Kit# ATK92020-11
ATK32311-K	Economy thermometer (plastic case)	X			X	
ATKNSP-0284-1	Griddle probe with sensor	X	X	X	X	X
ATKNSP-0213-1	Fry vat probe	X	X	X	X	X
ATKNSP-0216-2	Hot/cold air oven probe	X	X	X	X	X
ATKNSP0214-1	Needle probe	X	X	X	X	
ATKNSP-1278-0	UHC probe	X	X			X
ATKNSP0217-1	Patch cord (Henny Penny)	X	X	X	X	X
ATKNSP1299-0	Carrying case	X	X	X	X	
ATKNSP0305-0	Probe brush	X	X	X	X	
ATK9368	Wall mount bracket, black, plastic	X	X	X	X	
ATKNSP1413-1	Aqua Tuff recording thermometer (s/s case, digital)		X	X		
ATK20200-01	MFT Bluetooth Pyrometer					X

TIMERS-DIGITAL



HK# ATKTFS4
Multi-station timer
4 section LED & keypads
4 recall modes and distinctive alerts



HK# ATKTC6-0-8
Pocket digital timer
6 button



HK# ANT9900655
Antunes fry station timer,
2 channel, solar powered
9.6875" W x 2" D x 5.5" H



HK# ACU40101
Digital stop watch



HK# PCC740-T88
Timer, 8 channel, cook &
hold timer (vertical mount)



HK# PCC741-T2
Prince Castle Timer
2 channel, single function
Voltage: 120V
8" W x 2.5" D x 4" H



HK# PCC841-PT
Prince Castle grill timer
4 channel, multi-display
Voltage: 100/240V
14" W x 2.75" D x 5.5" H



HK# PCC740-T2HW
Prince Castle handwash timer
2 channel, single function
Voltage: 120V
8" W x 2.5" D x 4" H



HK# PCC741-T8
Prince Castle timer,
8 channel, single function
Voltage: 120V
10.5" W x 2.5" D x 4" H



HK# PCC741-T12
Prince Castle timer,
12 channel, single function
Voltage: 120V
13" W x 2.5" D x 4" H



HK# PCC740-T44
Timer, 4-channel hold

FRY TIMER MOUNTING KIT



In Use



HK# 77184

Bracket kit for AccuSalt and fry timer mounts to top of fry bagging station - holds 2 AccuSalt dispensers & 1 timer (Both sold separately)
Includes drill bit and screws for mounting

SAFETY APPAREL-APRONS



HK# JRCBIAWH
Apron, cotton
knee length,
white



HK# TUCM50362
36" Quicklean apron
VaporGuard liquid vapor
barrier, blue



HK# ALPMS-08259-8SP
Disposable all purpose apron
Black, universal, 25/case

HK# MS-08259-4SP
Black, extra-large, 25/case

SAFETY APPAREL-GLOVES + MITTS



Thermoprene Gloves
18" Long

HK#	Size
ANSW618	Small
ANSW619	Large

Filter Gloves
26" Long

HK#	Size
ANSW635	Small
ANSW636	Large



Neoprene Gloves
18" Long, Black
Applicable in radiant temperatures up to
450° F

HK#	Size
GOL99185-S	Small
GOL99185-M	Medium
GOL99185-L	Large
GOL99185-XL	X-Large



20" Steam Glove
Use in Temperatures Up to 225° F

HK#	Size
TUCM92202	Small
TUCM92203	Medium
TUCM92204	Large
TUCM92205	X-Large



HK# TUC92144
Recovery process gloves
ideal for handling
chemicals, up to 400° F
14" long, blue, size large



HK# TUCM52242
Quicklean five finger
glove, 24", blue



HK# TUC54152
Four finger burnguard gloves,
ideal for combi oven use,
Up to 500° F
15" long, blue, size large

ORGANIZERS



HK# ECO60205-03-11
Spray bottle storage station
Holds 3 bottles



HK# ECO50604-01-31
PPE storage station-
12 Storage hangers/clips.
Holds gloves, aprons, mitts,
and protective eyewear



HK# ECO50604-02-00
Clips, replacement
(12/Pack)



HK# TUC99954MCD
Tucker safety apparel station
For fryer cleaning/filtering
safety equipment

CO₂ DETECTOR + SENSOR

HK# ASTAX60 CO₂ Detector System
120 Volt, Audible & Visual Alarms

HK#	Control Panel	Sensor	Strobe/Siren	Wiring Accs.
ASTAX60-GP1	1	1	1	1
ASTAX60-GP2	1	2	2	1
ASTAX60-GP3	1	2	3	1
ASTAX60K-GPK	N/A	1	2	1



HK# LOGMK9SENSORKIT
MK9 CO₂ Sensor Kit
MK9 sensor, horn/strobe



HK# LOGMK9DETECTOR
MK9 sensor, central unit,
horn/strobe

TESTING MATERIALS



HK# FMP133-1232
Strip, Test Oil
(40 Sheets per tube)

HK# 3M1004
Strips, shortening
monitoring, case of 4
tubes, 160 sheets total



HK# TES0563-2750-01
Tester, oil w/o
calibration oil



HK# ECO20304-01-11
Strips, chlorine test, 100/pk.

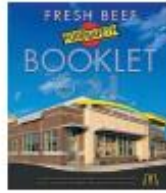


HK# ECO20312-01-00
Sanitizer, test station



HK# ECO20304-03-11
Strip, ammonium test,
quat, 2/pk.

BOOKS



HK# FFSMCD42604-34
Food Safety booklet, Version 18
Use to record food temperatures



HK# FFS8213284-13
Be Well Served book



HK# FFS8212112-16
18 Month planned maintenance guide

WET FLOOR - CONES + SIGNS



HK# BSEHSC6000
Hurricane, cordless floor dryer & safety cone 36"
Battery and charger included, dries floors 360° runs up to 8 hrs. on battery



HK# IPPW640
Wet Floor cone with McD logo, 25"



HK# IPPW641
Wet Floor cone without McD Logo 35"



HK# CEN04119-051
Collapsible Wet Floor sign 36" weighted



HK# SYA500902
Dry-n-Safe Kit SYR contains:
(1) 36" Wet Floor sign with tool holder
(1) Drying mop



HK# RUB6109
Wet Floor sign, English



HK# RUB6109-77
Wet Floor sign, multi-lingual A-frame



HK# SYA930332SP
"A" Wet Floor sign English and Spanish



HK# SYA940270-TOOLX2
Wet Floor 36" cone with double sided tool attachments



HK# IPP23829 Wet Floor Cone System

HK#	Description	Kit Qty
IPPW640	25" cone with logo, yellow	3
IPP26401	Sign, locks in, red	3
RUB6184	Barrier chain, 20'	1

*Kit items also sold separately



HK# SDGC50801
Safety cling warning System, 100-count box



HK# NSC2828
Reflective traffic cone 28", with reflective tape

QUALITY, SAFETY, + MAINTENANCE

CARRY-ALONG BUCKETS + ACCESSORIES



HK# FFS27012682
Lid, yellow, (lid only)



HK# FFS27012681-1
Soiled towel bucket
gray, English/Spanish



HK# KAY02734-015
Soiled towel bucket
insert for use with
soiled towel bucket
#FFS27012681-1
and lid #FFS27012682



HK# FFS27012680-1
Clean towel bucket
white, English/Spanish



Wash Bucket with Handle, 10 Quart

HK#	Color
RUB2963GR	Gray
ESS2693RED	Red
CCP8110W	White



HK# VOR58160
Bucket, s/s,
with handle, 14.75 qt.



HK# FFS27800180
Tea /towel bucket dolly

HK# FFS27800211
Caster for tea/towel
bucket dolly



HK# SJKPP196RD
Bucket, red sanitizing,
6qt



HK# SJKPP196GN
Bucket, green sanitizing,
6qt

MOP BUCKETS + WRINGERS



HK# GER2107
Galvanized bucket, 35 qt.
with casters

HK# GER2108
Galvanized bucket, 35 qt.
without casters

HK# GER9218
Replacement casters, 2"
(Set of 4)

HK# GER9605
Replacement spider
for galvanized bucket



CLEANING KITS-LOT MAINTENANCE



HK# AMER-321-G
Garden hose, commercial grade
0.75" x 75', black

CLEANING KITS-BEVERAGE



HK# GRA1HLV5
Pistol grip nozzle, black & yellow



HK# BUN44242.1001 Deliming Kit*, For BUNN Coffee Brewer Models BUNSET00.0883 and CDBCF-DV and BUNN Tea Dispenser Models ITCB-DV and TB3Q

HK#	Description	Kit Qty
BUN00674.0000	Separate cleaning brush	1
BUN01188.0000	Deliming spring, 20"	1
BUN02766.1001	Seat cup kit - 5/pk.	1
BUN38227.0000	Sprayhead tool	1

HK# HKN314-C Beverage Recovery Kit

HK#	Description	Kit Qty
CENMEP-18550	Valve cleaning brush	1
SON15037033	Mirror inspection tool	1
SON15037023	Plastic labeled pail	1



HK# ABSX44127
Tune-up brush kit
for soft serve/shake machines
Dimensions: 17" W x 9" D x 3" H

CLEANING EQUIPMENT FOR GRILLS/FRYERS

ECOLAB



HK# KAY04213-093 Fryer Cleaning Tool Kit

HK#	Description	Kit Qty
KAY04377-030	Blue handles	1
KAY04136-024	Wire brush head	1
KAY04238-081	Sock pad head	1
KAY01391-006	Sock pad	1/pk. of 10

*Kit items also sold separately

CLEANING EQUIPMENT FOR GRILLS/FRYERS



HK# PCC257-A
Cleaning tool, fryer, wire form



HK# KAY03575-033
Grill cleaning pad holder,
blue, (1) pad included



HK# PCC613-A
Grill scraper, 20"

HK# KAY03574-030
Replacement grill cleaning pad
10 pack

HK# PCC613-030-6A
Replacement blades for
PCC613-A
6 pack



HK# PCC513-MCG
17" Grill scraper with
knuckle guard, metal



HK# PCC519-3
Plastic grill scraper
(3 Pack)



HK# FFS27028703-2
Long grill squeegee

HK# PCC514-6A
Replacement blades for
PCC513-MCG
(6 pack)

HK# FFS27025979
Wiper strip refill



HK# KAY92223366
Kit, Taylor grill cleaning
Includes:
(1) 13178-000 (Hi-Temp Multi-Use Tool)
(1) 13170-003 (Hi-Temp Multi-Use Pad)
(1) 13170-000 (Hi-Temp Universal Pad)
(1) 04377-030 (Hi-Temp Handle, Blue)



HK# 3M61-0000-0757-7
Scour pad, (each)
For use with fryer cleaning tool
model 257, use on surfaces up
to 400° F



HK# 3M70071660073
96 Hex pad, case of 15

HK# 3M70071660974
96 Hex pad, case of 45

LADDERS + STOOLS



HK# RUB2523B
Step stool, 16" diameter
13" High, black

HK# RUB2523BG
Step stool, 16" diameter
13" High, beige

Heavy Duty Step Ladder, Fiberglass

HK#	Size
NLC7303	3'
NLC7305	5'
NLC7306	6'
NLC7310-1	10'

HK# NLCLFS100
Safety label for ladders



BOX KNIVES



HK# SDG08273-006
Utility knife, (6/pk.)



HK# MSC25
Box opening knife

HK# MSCK-9
Replacement blades,
for box opening knife, (5/pk.)

HAND TRUCKS + TROLLEYS



HK# RUB4400
Triple trolley, 250 lb., black



HK# RUB4401T
Triple trolley, 500 lb. standard, black

FLY TRAPS



HK# UNI53600
Vector® unit fly trap



HK# UNI53620-1
Vector replacement bulb



HK# UNI53610-12
Vector replacement adhesive
boards (case 12)

WASTE CONTAINERS-LINERS



HK# RUB5011
Liner, polyliner bags
55 gal, 100/carton
(Waste container sold
separately)



HK# RUB6141
Waxed bag liner, 250/pk.
For sanitary napkin receptacle 6140

WASTE CONTAINERS-INDOOR



HK# RUB3540-60 (Gray)
HK# RUB1956185 (Blue)
HK# RUB1956186 (Green)
HK# RUB3540-60BLA (Black)
HK# RUB1956189 (Red)

Slim Jim® vented waste container, 23 gal., with handles
22" W x 11" D x 30" H
Additional shipping rates apply



HK# RUB2673-60GR (Gray)
HK# RUB2673-60BLU (Blue)
HK# RUB2673-60GRN (Green)
HK# RUB2673-60BLK (Black)
HK# RUB2673-60BEIG (Beige)
Swing top lid



HK# RUB1955959
Slim Jim® vented waste
container, 16 gal., black



HK# RUB1968468-1
Slim Jim dolly, 2/pk.
20.5" W x 9.5" D x 9" H
Compatible with
23 gal. and smaller



HK# RUB1883559
Trash can, step-on, 18 gal



HK# ARG2240SS
Waste container
step-on, 4 gal.
s/s with galvanized liner
11.5" dia. x 16" H

HK# SGS6145-L3
Replacement pedal for
6145 series



HK# RUB1883554
Slim Jim, 4 gal.,
white, step-on,
13.75" dia. x 15.75" H



HK# RUB1883456
Waste, container, 8 gal.
step-on, beige
16.25"L x 15.75"W x 17.125"H



HK# RUB2957BLU
Waste container,
rectangular 41 qt., blue
15" W x 11" D x 20" H

WASTE CONTAINERS-INDOOR

Rubbermaid Brute Waste Containers			
Description	Color	Container	Flat Top Lid
55 gal., 26" diameter x 33" H	Gray	RUB2655	ESS2654
44 gal., 24" diameter x 31.5" H	Gray	RUB26436	RUB2645G
32 gal., 19.5" diameter x 28" H	Gray	RUB2632	RUB2631GR
	Yellow	N/A	ESS2631Y
	Blue	ESS2632-BLUE	N/A
20 gal., 19.5" diameter x 28" H	Gray	RUB2620	ESS2619 RUB2619W (white lid)
10 gal., 15.5" diameter x 17" H	Gray	RUB2610GR	RUB2609
	White	ESS2610W	RUB2609W

*Additional shipping rates may apply



HK# RUB2640-43
Brute® dolly, fits 2655,
26436 (gray), 2632 & 2620



Rubbermaid Waste Baskets		
Description	Color	HK #
Rectangular 13 Quart, 11" W x 8" D x 12" H	Beige	RUB2955BEIGE
	Black	RUB2955BLACK
	Gray	RUB2955GR
Rectangular 28 Quart, 14" W x 10" D x 15" H	Beige	RUB2956BEIGE
	Black	RUB2956BLK
	Gray	RUB2956GR
Rectangular 41 Quart, 15" W x 11" D x 20" H	Beige	RUB2957BG
	Black	RUB2957BLK
	Gray	RUB2957GR



HK# CAR343022
Lid for CAR34302123,
half round wastebasket



HK# CAR34302123
Wastebasket, half round,
gray, 21 gal



HK# CAR34202403
Lid, for wall hugger black



HK# CAR34202423
Lid, for wall hugger, gray



HK# CAR34202414
Lid, for wall hugger,
blue, recycle



HK# CAR34202303
Trash can, 23 gal
trimline, black



HK# CAR34202323
Trash can, 23 gal
trimline, gray



HK# CAR342023REC14
Trash can, 23 gal
trimline, recycle



HK# CAR342023CMP09
Trash can, 23 gal
trimline, compost

WASTE CONTAINERS-SNUFFERS + STONE BINS

*All stone bins ship freight



HK# WTITF2040-E33F
Stone bin with top ash tray, gray
14" W x 14" D x 24" H

HK# WTITF2040-E23F
Stone bin, gray
14" W x 14" D x 24" H



HK# WTITF1015E23F-4
Stone bin, tan w/brown push top lid, includes brown push-top door
No logo included - see item #7000-1



HK# WTITF2052E33F
Smokeless snuffer, gray
14" W x 14" D x 34" H



HK# WTITF2000-W23F
Round snuffer, gray
14" Diam. x 24" H



HK# WTITF2090
Trash receptacle attachment, snuffer, concrete bolt on



Bins available with or without logo



Push Lid Waste Bin
Gray with Brown Lid, 30 Gallon
20"W x 20" D x 44"H

HK#	Logo
WTITF1015E23F-4	No
WTITF1015E23F4MCD	Yes



Drive Thru Lid Waste Bin
Tan with Brown Lid, 30 Gallon
20"W x 20" D x 50"H

HK#	Logo
WTITF1021E23F-4	No
WTITF1021E23F4MCD	Yes



4-Way Lid Waste Bin
Tan with Brown Lid, 30 Gallon
20"W x 20" D x 43"H

HK#	Logo
TF1016-A1-4	No
WTITF1016E23F4MCD	Yes



HK# WTITF2058
Replacement snuffer sand, 10 lbs.



Please call H+K International for additional colors & configurations.



Gray



Tan



HK# WTITF1610
Rigid liner, black, plastic, 22 gal. (for use with Wausau 30 gal. stone bins)
19.75" W x 19.75" D x 30.5" H



HK# WTITF1810-E33F
Stone bin, gray

HK# WTITF1810-A26-MCD
Stone bin, w/ McD logo



HK# WTITF1010E23F-2
Waste bin, tan with red 4 way lid without McD logo



HK# WTITF18101-E23F-MCD
Stone bin only, tan w/McD logo



HK# WTITF10161E23F2LOGO
Waste bin, tan with red 4 way lid w/McD logo

HK# WTITF10161W26-10
Waste bin, charcoal gray w/4 way lid

WASTE CONTAINERS-ACCESSORIES



HK# WTI7000-1
McDonalds logo decal
12" diameter



HK# WTIPP11072
Snuffer
"No smoking"
decal



HK# WTITF1998
Cable & hardware, lid/container
18" long

Cable & hardware to attach plastic lid
to waste container



HK# HKEHK15002
Trash compacting tool

WASTE CONTAINERS-STONE BIN LIDS

Waste Container Lids



Lid Push Door
w/ Drive Thru
Extension
20.5" W x
31.5" D
x 15.75" H

Extension
Unassembled
Drive-Thru
ONLY 19" W x
32" D x 12" H

Lid
Unassembled
Push Door
20" Square

Lid, 4-Way
Open 20"
Square

Lid, 4-Way
Open 14"
Square

Lid, Pitch-In
20.5" W
x 20.5" D
x 5.5" H

Tray
Caddy
Attachment
(Used
with
TF1405 Lids
Only)

Lid
Unassembled
Push Door w/
Tray Caddy
Attached

Green	WTITF1401/TF14161	WTITF1416-1	WTITF1405-1	WTITF1407-1	WTITF1400-1	WTITF1420-1	WTITF1415-1	WTITF1405-TF14151
Red	WTITF1401-TF14162	WTITF1416-2	WTITF1405-2	WTITF1407-2	WTITF1400-2	WTITF1420-2	WTITF1415-2	WTITF1405-TF14152
Brown	WTITF1405P1-TF1416	WTITF1416-4	WTITF1405-4	WTITF1407-4	WTITF1400-4	WTITF1420-4	WTITF1415-4	WTITF1405-1415-4
Light Gray	WTITF1401TF1416P6	WTITF1416-6	WTITF1405-6	WTITF1407-6	WTITF1400-6	WTITF1420-6	WTITF1415-6	WTITF1405-TF14156
Black	WTITF1401-TF1416	WTITF1416-P8	WTITF1405-8	WTITF1407-8	WTITF1400-8	WTITF1420-8	WTITF1415-8	WTITF1405-1415-P8
Dark Gray	WTITF1401TF141610	WTITF1416-P10	WTITF1405-10	WTITF1407-10	WTITF1400-10	WTITF1420-P10	WTITF1415-P10	WTITF1405TF141510
Blue	WTITF1405/TF14010	WTITF1416-0	WTITF1405-0	WTITF1407-0	WTITF1400-0	WTITF1420-0	WTITF1415-0	WTITF1405-TF14150

WASTE CONTAINERS-TILT TRUCKS

*Additional freight charges apply



Rubbermaid Tilt Trucks

	Description	Tilt Truck		Casters		Wheels	
		HK#	Size	HK#	Size	HK#	Size
	Standard Duty, 1/2 Cubic Yard 850 lb., Black 28" W x 60.5" D x 38.75" H	RUB1305BLK	3.5"	SGS1005-L4	10"	SGS1305-L3	
	Standard Duty, 1 Cubic Yard 1000 lb., Black 33.5" W x 72.25" D x 43.75" H	RUB1315BLK	5"	SGS4402-L1	12"	SGS1315-L3	
	Utility Duty, 1/2 Cubic Yard 300 lb., Black 28" W x 56.75" D x 38.75" H	RUB1304BLK	4"	SGS1304-L3	10"	SGS1004-L3	
	Utility Duty, 1/2 Cubic Yard 450 lb., Black 27" W x 57.5" D x 34" H	RUB9T13BLA	4"	SGS1011-L2	10"	SGS9T13-L3	
	Utility Duty, 1/2 Cubic Yard 850 lb., Black 27" W x 57.5" D x 34" H	RUB9T14BLA	4"	SGS1013-L2	12"	SGS1013-L1	
	Utility Duty, 3/4 Cubic Yard 600 lb., Black 30.25" W x 64.5" D x 38" H	RUB1011BLA	4"	SGS1011-L2	12"	SGS1011-L1	
	Utility Duty, 1 Cubic Yard 850 lb., Gray 33.5" W x 72.25" D x 43.75" H	RUB1314BLK	5"	SGS1314-L3	12"	SGS1014-L3	
	Heavy Duty, 1/2 Cubic Yard 1200 lb., Black 28" W x 60.5" D x 38.75" H	RUB1306BLK	3.5"	SGS1005-L4	10"	SGS1306-L3 (1 wheel)	



HK# RUB9T22BLA
Lid, for tilt truck models
9T13BLA and 9T14BLA
28" W x 52" D x 9" H



CASTERS-AUTOMATED EQUIPMENT + BEVERAGE AIR



HK# BEV00C31-038A
6" caster set, 4/pk.
Use: All BA
undercounter, worktop
and spec. prod.

HK# BEV00C31-041A
3" Caster Set, 4/pk.
Use: all undercounter,
worktop and spec.
prod., WTF48A



HK# BEV00C31S-049A
2.75" caster kit



HK# BEV401-249A
5" caster without brake
Use: undercounter
models, worktop models
and special products



HK# BEV401-250A
5" caster with brake
Use: undercounter
models, worktop
models and special
products



HK# BEV401-253A
3" caster with brake
Use: undercounter
models, worktop
models and special
products



HK# BEV401-254A
3" Caster w/o brake
Use: undercounter
models, worktop
models and special
products



HK# BEV401-455B
5" casters (without brake)
HK# BEV401-456B
5" casters (with brake)
Model: RID18-HGS-26



HK# BEV401-695B
3" casters
without brake



HK# BEV401-696B
3" caster
with brake



HK# BEV61C01-001A
5" swivel caster set, 4/pk.
Use: upright units
E-Series and H-Series



HK# BEV61C01-003A
Caster 4/pk.
Use: RI18

CASTERS-DELFIELD



HK# BEV61C01-013A
3" Swivel caster set, 4/pk.
Use: RID18-HGS
401-455B Without brake
BEV401-456B With brake



HK# DEL3234778
4" Caster without brake
Use: reach in
refrigerators and freezers



HK# DEL3234180
4" Caster with brake
Use: reach in
refrigerators and
freezers with brake



HK# DEL3234025
3" Casters w/ brake
& Swivel Plate
Use: DEL402
Refrigerator and
DEL403 freezer

QUALITY, SAFETY, + MAINTENANCE

CASTERS-FRANKE



HK# FFS481243
Caster
Use: FFSMCD-18
Cup & lidcart



HK# FFS614963
Swivel casters
Use: F3DN & F3D3
frozen fry dispenser



HK# FFS27800211
Caster
Use: 27800180
Tea/towel bucket
dolly



HK# F8100327
4" Adjustable caster
without brake
Wheel can be raised

CASTERS-FRYMASTER



HK# F8100356
5" Caster without brake

HK# F8100326
4" Adjustable caster with brake
wheel can be raised



Use: FPPH355-SC, FPPH355CSD &
FPPH455-SC fryers



HK# F8100357
5" Swivel caster
with brake



HK# F8100482
3" Swivel caster without brake
Use: In filter pan area



HK# F8100944
3" Adjustable
caster with brake
Use: BIH (52, 152,
252, 352, 452, 552)



HK# F8100949
2.5" Swivel caster set without brake
Use: BIH(152, 252, 352, 452, 52, 552),
BIMH52, JBIH252, MAC-H52, MH(152,
252, 352), MH(452, 52, 552), SINBAD II



HK# F8102805
2" Caster without brake
Use: RUBH14, H17, H22,
MJ35, MJ45, MJ47 Model
FMPMPF50 Portable oil filter



HK# F8102806
2" Caster with brake
Use: Model FMPMPF50
Portable oil filter



HK# MKCG1792003
5" Caster
Use: GARMWE-9501, MWEF-9501,
MWEH-9501, MWG-9501,
MWGF-9501, MWGH-9501 grills



HK# MKC4517563
5" Swivel caster - front
Use: MWE-9501, MWEF-9501,
MWEH-9501, MWG-9501,
MWGF-9501, MWGH-9501 grills



HK# MKC1027800
4" Swivel caster without
brake
Use: GAR-MCOE5LDSMD
convection oven



HK# MKC1027801
4" Swivel caster
without brake
Use: GARMCOE5LDSMD
convection oven



HK# MKC4520677
Caster set, 4/pk.
Use: all grills

CASTERS-GEERPRES



HK# GER9214
2" Caster set, 4/pk.
Use: for s/s buckets



HK# GER9218
2" Caster set, 4/pk.
Use: for galvanized oval
buckets w/plastic spiders

CASTERS-HENNY PENNY



HK# HEN52487
Caster
Use: LVE-102, 103
& 104 Fryer



HK# HEN19004
2" Swivel caster
Use: ODS300.01
Oil Shuttle



HK# NOR26533
Caster with brake
Use: hand breader/
sifter HB-121



HK# HEN77575
4" Swivel caster
with brake
Use: 200 series fryers



HK# HEN77679
4" Swivel caster
without brake
Use: 200 series fryers

QUALITY, SAFETY, + MAINTENANCE

CASTERS-H+K



HK# H-20-01
2" Swivel caster without brake
Frequently used on H+K models



HK# H-20-2
2" Swivel caster with brake
Use: H+K HCFRC & GSF Models



HK# H-20-1
5" Swivel caster without brake
Use: H+K 63602 - double wide Q'ing oven tables without brake/plate and H+K 87050 - 2 drawer refrigerator



HK# H-20-2
5" Swivel caster with brake
Use: H+K 63602 - double wide Q'ing oven tables w/ brake/plate and H+K 87050 - 2 drawer refrigerator



HK# H-20-4
3.5" Swivel caster with brake
Use: round pegged leg for H+K table with brake



HK# H-20-4-1
3.5" Swivel caster without brake
Use: round pegged leg for H+K table without brake



HK# H-20-4-6
3.5" Swivel caster without brake
Use: H+K table with square leg tube without brake
Required for installation:
HK# H-20-22-16 Insert, 1.25, black plastic



HK# H-20-4-7
3.5" Swivel caster with brake
Use: H+K table with square leg tube with brake. Required for installation:
HK# H-20-22 Insert, 1.25, black plastic



HK# H-20-6
3.5" Swivel Caster without brake and Flat Mounting Plate
Use: H+K rapid toaster tables, prep tables & freezers



HK# H-20-7
3.5" Swivel caster with brake and flat mounting plate
Use: H+K rapid toaster tables, prep tables & freezers
MF03, MF04



HK# H-20-7-1
3.5" Caster without brake
Use: Egg cooker table 85125



HK# H-20-7-2
3.5" Caster without brake
Use: For H+K tables, freezers and prep tables



HK# H-20-8
3.5" Rigid caster without brake
Use: Freezers MF03, MF04



HK# H-20-30
4" Caster without brake
Use: Undercounter carts 66394, 66395, 66396



HK# H-20-36N
4" Caster without brake
Use: UHC Tables toaster 80224



HK# H-20-37N
4" Caster with brake
Use: UHC tables toaster 80224

CASTERS-METRO



HK# INM4LD
4" Swivel caster without brake
Use: Tea transport cart model HK255



HK# INM5M
5" Swivel caster without brake
Use: Standard for All Intermetro without brake



HK# INM5MB
5" Swivel caster with brake
Use: Standard for All Intermetro with brake

CASTERS-METRO



HK# INM5MPB
5" Polyurethane
caster with brake
Use: On any UP or
UPK3 post



HK# INM5MPR
5" Rigid caster
without brake
Use: Rigid directional
applications



HK# INM5PC
5" Swivel polymer
caster without brake
Use: On any UP or
UPK3 post



HK# INM5MP
5" Polyurethane
caster without brake
Use: On any UP or
UPK3 post



HK# INMB5P
5" Caster without brake
Use: INMCTBUN-30



HK# INMB5PB
5" Caster without brake
Use: INMCTBUN-30

CASTERS-PRINCE CASTLE



HK# FFS481243
2" Caster
Use: FFSMCD-18 cup
organizer cart, 4/pk.



HK# PCC89-410S
Caster with brake
Use: Model 107 fat
filtering machine, 2/pk.

CASTERS-RUBBERMAID



HK# SGS1005-L4
3.5" Caster
Use: Tilt trucks
RUB1305BLK &
RUB1306BLK



HK# SGS1011-L2
4" Non-marking caster
Use: Tilt truck RUB1011BLA



HK# SGS1013-L2
3.5" Caster
Use: Tilt truck 9T14



HK# SGS1304-L3
4" Swivel caster
Use: Tilt truck
RUB1304BLK



HK# SGS1314-L3
5" Swivel caster
Use: Tilt truck
RUB1314BLK



HK# SGS4402-L4
8" Rigid caster
Use: Platform
truck 4466



HK# SGS4501-L1
5" Rigid caster
Use: Platform
truck RUB4401T



HK# SGS4501-L2
5" Swivel caster
Use: Platform
truck RUB4401T



HK# SGS7570-L2
3" Plastic caster
Use: Mop bucket
7570

CASTERS-RUBBERMAID



HK# SGS6111-L3
3" Caster with insert
Use: 6186 wringer,
4400 trolley



HK# SGS4402-L1
5" Swivel caster
Use: RUB1315BLK
Tilt truck & 4466
platform truck



SPG™



HK# ISSCM5MB
5" Swivel caster with brake
Use: ISS shelving



HK# ISS-CM5P
5" Caster, without brake
Use: ISS shelving



HK# ISSCM5PB
5" Swivel caster with brake
Use: ISS shelving



HK# SYAK941190
3" Short caster
Use: Back of SYR
mop bucket

CASTER-SPG + SYR



HK# ABS044106
4" Swivel
Use: C602, & 8634-HT
shake machines



HK# ABS018794
4" Swivel caster
Use: 5742-HT &
8784-HT shake &
sundae machines



HK# ABS073240
5" Locking caster
Use: clamshell grill



HK# TAY078377
5" Caster without brake
Use: camshell grill

CASTERS-TAYLOR



Traulsen

CASTERS-TRAULSEN



HK# TRACASTER 5SET4
6" high casters for
27", 32" & 48"
models, 4/pk.



HK# TRACASTER SET4IN
4" high casters for
27", 32" & 48"
models, 4/pk.



HK# TRACASTER SET3IN
3.5 " high casters
for 27", 32" & 48"
models, 4/pk.



HK# TRACASTER SET2IN
Four 2.5" high casters
for 27" models,
4/pk.



HK# TRACK1
6" Caster set with
lock, 4/pk.
Use: Reach-in
refrigerators &
freezers



HK# WEL2P-43763
5" Swivel caster with brake
Use: All convection ovens
Non-Returnable



HK# WEL21330
Caster set, 4/pk.
Use: M4200-3S convection oven



HK# WELWS-21373
5" swivel caster set
2/pk., without brake
Use: All models

CASTERS-WELLS

ELECTRICAL SOCKETS



HK# RAW554
Socket, infrared
for quartz lamp



HK# E-1-186
Socket, porcelain
snap-in



HK# E-1-187
New & Improved!
Fry Bagging Station Sockets for
use on H+K FB01, FB08, FB20,
FB22, FB25 and many other Fry
Bagging Stations



HK# RAW9350
Socket, porcelain



HK# RAW9885
Socket, porcelain
with wings

PLUGS + RECEPTACLES-TWIST + LOCK



	Plug	Receptacle	Description
	RAW2311	RAW2310	20A/125V 3-Wire grounding
	RAW2611	RAW2610	30A/125V 3-Wire grounding
	RAWHBL2411	RAW2410	20A/125V/250V 4-Wire grounding
	RAW2321	RAW2320	20A/250V 3-Wire grounding
	RAWHBL2621	RAW2620RECEPTACLE	30A/250V 3-Wire grounding
	RAW2711	RAW2710A	30A/125V/250V 4-Wire grounding
	RAW2721	RAW2720	30A/250V 4-Wire grounding
	RAW2511	RAW2510	20A/120V/208V 5-Wire grounding
	RAW2811	RAW2810	30A/120V/208V 5-Wire grounding
	RAW2820	RAW2821	30A/277V/480V 5-Wire grounding



Twist lock
style plug



Twist lock
style receptacle

HK# RAWHBL8451C
Plug, 50AMP
250v/4wire 3 pole

*If the replacement item needed is not shown above, please call our customer service department for more information.

ELECTRICAL + PLUMBING



HK# K91-0100
Hand activating water wand



HK# CHGTLL11-400SE1
4" Deck mount faucet with 3" swivel gooseneck spout and lever handles
For SK30 hand sink



HK# FHM2901-10
Faucet, add-on w/10" s/spout-lever handle



HK# FIS2901-12
Faucet, add-on w/12" s/spout-lever handle

FAUCETS



HK# FIS3253
Fisher complete wall mount faucet
8", 2.20 GPM, with 12" swing nozzle



HK# FIS9171
Faucet, 8" backsplash
LVE handles, 12" spout

Replacement Parts can be found on page 9.73



HK# TSBMCD-EC-3101

Electronic hand sink faucet, chrome plated brass, wall-mount rigid gooseneck with vandal resistant aerator, AC/DC control module with internal flow control setting switches, temperature control mixing valve with integral check valve, 18" long hot and cold supply flexible connector hoses



HK# TSBMCD-EC-3101-HG

Electronic hand sink faucet, chrome plated brass, wall-mount rigid gooseneck with vandal resistant aerator, AC/DC control module with internal flow control setting switches, temperature control mixing valve with integral check valve, Hydro-Generator®, 18" long hot and cold supply flexible connector hoses
With Hydro-Generator®



HK# TSBMCD0665-CRBSTR
Service sink faucet with inlet stops, ceramic cartridges, lever handle, rough chrome



HK# TSBMCD-0425
Inlets



HK# TSB5F-4WLX03
4" Wall-mount hand sink faucet, with 3" swivel gooseneck, ceramic cartridges, & 2.2 GPM aerator



FAUCETS



RELIABILITY BUILT IN™



Add-on Faucet with Swing Nozzle and Lever Handle

HK#	Nozzle Size
MCD0155CR-LN	No nozzle included
TSBMCD-0156-CR	12"
TSBMCD-0158-CR	14"



T&S Brass Swing Nozzle

HK#	Size
TSB59X	6"
TSB62X	12"
TSB63X	14"
TSB65X	18"



RELIABILITY BUILT IN™



HK# MCD0230-CR-LN

Wall-mount mixing faucet, 8", without nozzle with 1/2" NPT female eccentric inlet flanges and lever handles, with ceramic cartridges. Base unit for pre-rinse units.



HK# TSBMCD-0231-CR

Wall-mount mixing faucet, 8" c/c, with 1/2" npt female eccentric inlet flanges, lever handles, 12" swing nozzle with stream regulator, with ceramic cartridges.



HK# TSBMCD-012446-25
Ceramic faucet cartridge - hot side handle included. Lifetime warranty included. Only for T&S faucets



HK# TSBMCD-012447-25
Ceramic faucet cartridge - cold side handle included. Lifetime warranty included. Only for T&S faucets



HK# MCD0155CR-LN
Faucet for pre-rinse unit with lever handle and ceramic cartridge. Nozzle not included

FISHER



HK# FHM9171
Faucet, 8" backsplash LVE handles 12" spout

PRE-RINSE UNITS



HK# TSBMCD-0133-CRB8C



HK# TSBMCD0133-1CR-8C



RELIABILITY BUILT IN™

T&S Brass Easy Install Pre-Rinse Unit
8" c/c Wall Mount Mixing Faucet, 1/2" NPT Male Inlets,
Ceramic Cartridges, 18" Riser, Overhead Spring,
MCD-0108-C Spray Valve, 14" Swing Nozzle, Add-On
Faucet

HK#	Hose	Wall Bracket
TSBMCD-0133-CRB8C	44" Flex	6"
TSBMCD0133-1CR-8C	56" Flex	9"



TSBMCD2130-CR-B8C



TSBMCD-0131-CRB8C

T&S Brass Pre-Rinse Unit with Lever Handles
1/2" NPT female inlets, ceramic cartridge, MCD-0108-C
spray valve & 6" wall bracket

HK#	Riser Size	Hose	Swivel Assembly
TSBMCD2130-CR-B8C	32"	28" Flex	12"
TSBMCD-0131-CRB8C	26"	B20H-2A	12"

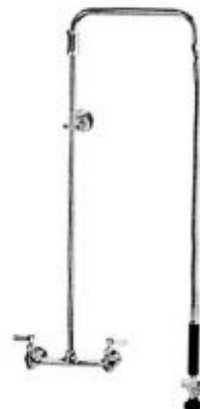


ECOLAB

HK# RAB9295-2589
Eco-spray pre-rinse
complete hose system
Used with T&S Base Mixing Faucet
HK# MCD0230-CR-LN on page 7.8

HK# RAB9295-2209
Hose assembly, 54", w/spray head,
pre flush
For item #RAB9295-2589

HK# RABRAB9295-2308
Hose assembly, 60", w/spray head



FISHER

HK# FIS9045
Fisher complete pre-rinse unit,
Includes ultraspray, riser,
wall bracket, and hot & cold
water faucet

PRE-RINSE SPRAY VALVES



RELIABILITY BUILT IN[®]

Replacement Parts for models
MCD-0108-C and MCD-0108-CF
can be found on page 9.183



HK# TSBMCD-0108-C (Shown)
Spray valve with Ergo-Grip,
0.65 GPM, replaceable spray face,
integrated one-handed trigger lock
(Replacement for B-0107 pre-rinse spray valve.)

HK# TSBMCD-0108-CF
Spray valve with Ergo-Grip, 0.65 GPM, replaceable
spray face, integrated one-handed trigger lock and
fisher adapter (to replace old style fisher 3/4" -140p
female thread pre-rinse spray valve.)



HK# TSBB10K T&S Repair Parts Kit*, For B-0107 Spray Valve

HK#	Description	Kit Qty
TS895-45	Spring	2
TS974-45	Bonnet washer	2
TSB010476-45	Hose washer	2
TS1100-45	Packing stem	2
TS9306-45	Valve stem	2
TS1040-45	Bonnet binding washer	2
TS012915-45	Seat washer	2
TS7861-45	Spray head ring	1
TS913-45	Spray face screw	1
TS1121-45	Spray face	1

*Kit items also sold separately

HOSES

FISHER

Fisher Replacement
Pre-Rinse Flexible Hoses
Stainless Steel

HK#	Size
FHM2916-15	15.5"
FHM2916-25	25.5"
FHM2914	36"
FHM2915	60"

Replacement Parts can be found on page 9.73



Fisher Replacement
Pre-Rinse Flexible Hoses, Stainless Steel

HK#	Description
FHM2922	Adaptor only
FHM2913	Insulated handle with gaskets

Fisher Replacement
Pre-Rinse Flexible Hoses with
Handle, Stainless Steel

HK#	Size
FHM2918-68	68"
FIS2918	44"



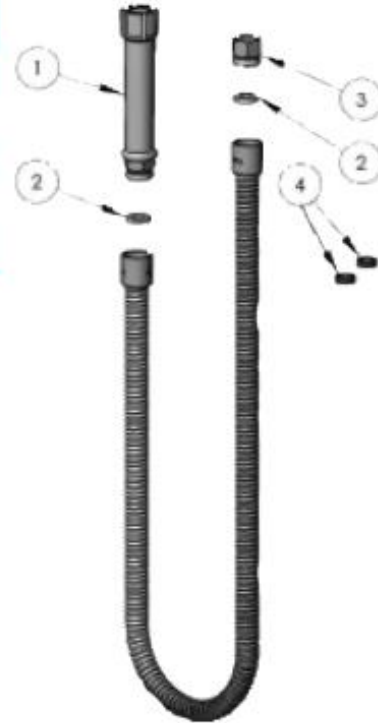


PRE-RINSE HOSES

T&S Replacement Parts Pre-Rinse Flexible Hoses, Stainless Steel

Item#

1	Handle
2	Wash barrel
3	Cap
4	Washer



T&S Replacement Pre-Rinse Flexible Hoses, Stainless Steel

With Handle HK#	No Handle HK#	Size
TSBB-0015-H	TSBB15H-2A	15"
TSBB-0023-H	TSBB23H-2A	23"
TSBB-0032-H	TSBB32H-2A	32"
TSBB44H	TSBB44H-2A	44"
TSBB56H	TSBB56H-2A	56"
TSBB68H	TSBB68H-2A	68"
TSBB36H	TSBB36H-2A	36"



SOAP PROPORTIONER



HK# DEE154

Complete soap proportioner
With internal anti-siphon, for T&S only
Replacement Parts can be found on page 9.70

DRAIN KIT



HK# 81016

Wall mounted drain kit
For specialty coffee and blended ice machines

Features/Benefits:

- Consolidates drain hoses from specialty coffee and blended ice equipment.
- Insures proper air gaps to floor.
- Minimizes excess drain hose from both machines; reducing crimping and coiling.
- Allows for easy access of both machines for cleaning.



PLUMBING WASTE VALVES



HK# TSBMCD-3950

T&S waste valve with twist handle, 3.5" sink opening, 2" NPT male outlet and 1.5" NPT male adapter, removable snap-in strainer



HK# TSBMCD-3950-01

T&S waste valve with twist handle, 3.5" sink opening, 2" NPT male outlet, 1.5" NPT male adapter and overflow tube with head assembly removable snap-in strainer

HK# COMD50-7100
Drain, twist, BR, NP,
3.5" 1.5" flat 12"



HK# COMD50-7115
Drain, twist,
w/overflow assembly,
encore



FISHER



HK# FIS22209

Fisher rotary waste valve, with flat strainer, end cap & slip joint, fits 3.5" sink opening

Replacement Parts can be found on page 9.75

COMPONENT
HARDWARE



HK# COMD10-4151

Complete 3" waste outlet, without overflow

HK# COM1755-1015-1000

Complete 3.5" waste outlet



HK# COM1715-1015-1000

Complete 3" sink waste outlet, opening (with everhandle), with overflow flat strainer

HK# COM1765-1015-1000

Complete 3.5" sink waste outlet, sink opening, with overflow flat strainer

Replacement Parts can be found on page 9.63



HK# COMX-415-A-1

Twist handle 3" waste outlet, with overflow without overflow level handle, flat strainer



HK# CHG-DSS-Y003

Cup, beehive crumb, twist-lock, s/s



HK# CHG-DSS-8000

Twist handle 3.5" waste outlet with crumb cup strainer, overflow accessories available

DUNNAGE + FLOOR RACKS



Freezer Floor Dunnage Rack w/ Bow Tie, Gray

HK#	Dimensions
INMMCD-HP2236PD	36" W x 22" D x 12" H
INMHP2248PD	48" W x 22" D x 12" H
INMHP2260PD	60" W x 22" D x 12" H



HK# INMHP2236PDMB
Freezer floor polymer dunnage racks with microban antimicrobial product protection
Includes (1) plastic bow tie, red
36" W x 22" D x 12" H



HK# INMRPC06-655
Replacement bow tie, plastic, red
Works with Metro dunnage rack Models W501 & HP2236PDMB only



HK# INMMCD2430DR
Low profile mobile dunnage racks, with 5" casters
30" W x 24" D x 8 1/2" H

EXPECT MORE

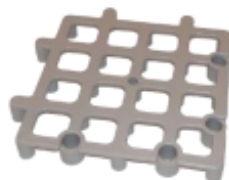


HK# ISSDUN2436
Freezer floor polymer dunnage rack, black
36" W x 24" D x 12" H



Low Profile Mobile Dunnage Racks,
With 5" Casters with brakes

HK#	Dimensions
ISSWST1081Y	30" W x 24" D x 9" H
ISSWST1062Y	36" W x 24" D x 9" H



HK# CAR2710
Carlisle raised floor rack, snap together, sold individually
13" W x 13" D x 1 1/2" H



CONDIMENT BINS



HK# FFS27800249
2 Tier condiment rack extension
6" W x 21²⁵" D x 12⁷⁵" H



HK# FFS27800171
Condiment bin wire rack
holds 4 bins
6" W x 10⁷⁵" D x 23¹⁵" H



HK# SON15036881
Bins, gray condiment 12,
with 7 dividers



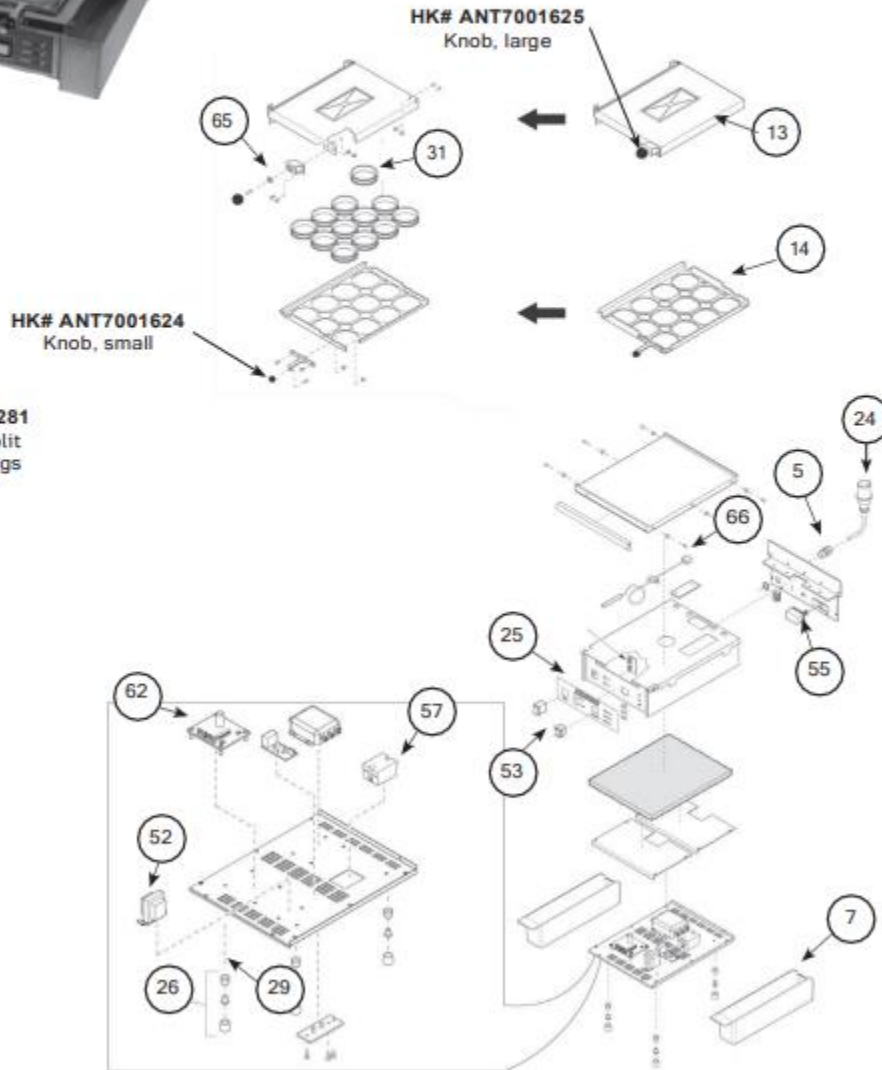
HK# SON15036879
Bin, gray condiment
(individual)



HK# SON15036880
Divider, gray condiment bin

MANUAL EGG STATION

MES-1200, ANT9300602, ANT9300600, ANT9300610, ANT9300612, ANT9300614, ANT9300616



MANUAL EGG STATION

MES-1200, ANT9300602, ANT9300600, ANT9300610, ANT9300612, ANT9300614, ANT9300616



HK# Antunes 9300 Series Dual Zone Egg Cooking Station		
Item	HK#	Description
5	ANT0400315	Strain relief - cord connector
7	ANT7001335	Scrap pan
13	ANT7000676	Lid
14	ANT7000677	Egg ring rack
24	ANT0700724	Power cord 20 A with pin & sleeve (Mfg. No. 9300602)
	ANT0700552	Power cord 1 L6-20P straight twist lock (Mfg. No. 9300600 & 9300618)
	ANT0700587	Marechal, pin & sleeve, 132 Amp, 250 VAC (Mfg. no. 9300616)
	ANT0700453	CEE 7/7, 16 Amp., 250 VAC (Mfg. no. 9300614)
	ANT0700457	IEC-309, 16 Amp., 250 VAC., pin & sleeve (Mfg. no. 9300610)
	ANT0700442	IEC-309 230 1 VAC Non-Molded Plug (Mfg. no. 9300612)
	ANT0700588	IEC-309 32 Amp, 230 VAC, 3 Pin (Mfg. no. 9300619)
	ANT0700699	Marechal, pin & sleeve, 32 Amp., 250 VAC (Mfg. No. 9300620)
25	ANT1001100	Label, control
26	ANT210K122	Adj. leg kit (4 Pack)
29	ANT210K108	Rubber tip kit (4 Pack)
31	ANT7001585	Egg ring (single)
	ANT7001586	Egg ring (pack of 6)
43	ANT308P157	Screw, tap #8-32 x 3/8"
52	ANT7000542	Transformer, stepdown (240V/12)
53	ANT4010190	Switch, momentary
55	ANT7000272	Thermostat, hi-limit
57	ANT7000370	Solid state relay
62	ANT7000833	Control board
65	ANT212P111	Spacer
66	ANT7000810	Thermocouple

*Not shown



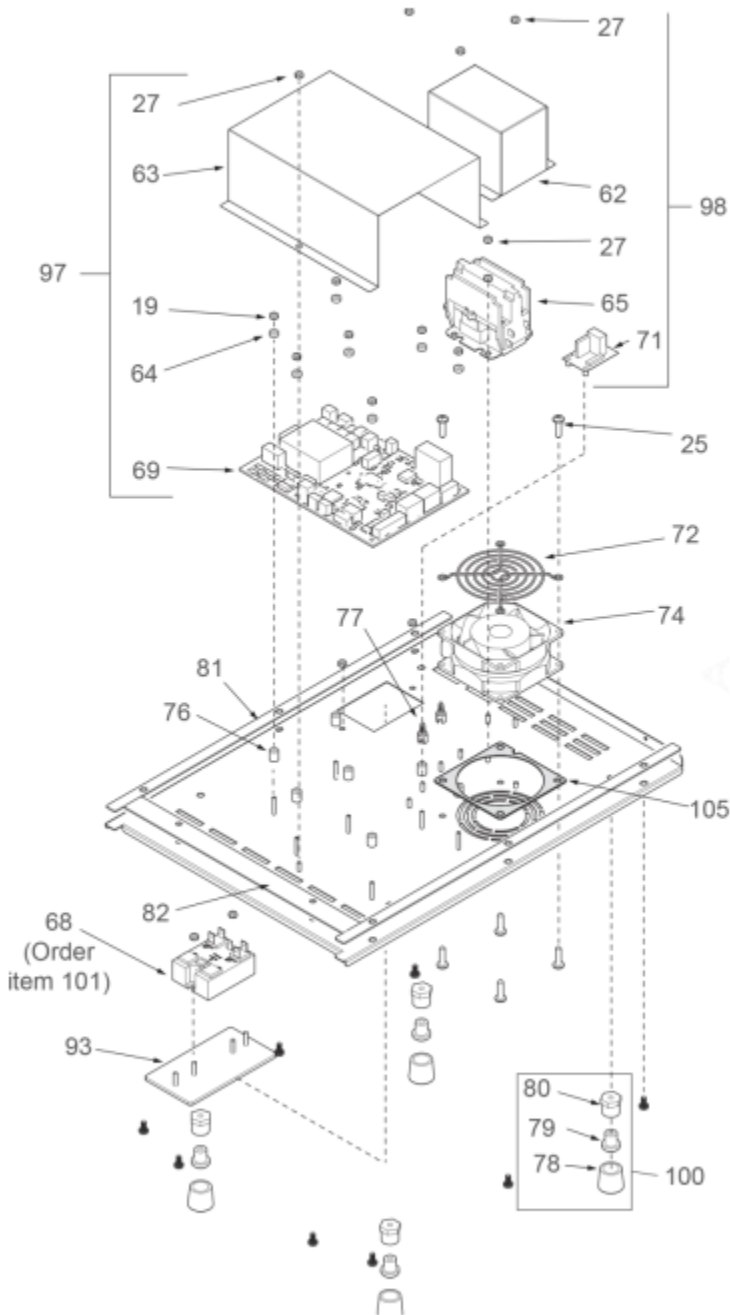
HK# ANT7001543
Rack, replacement, for, egg rings



HK# ANT7001217
Timer, kit
for models 9300605 & 9300606

DUAL ZONE EGG STATION/STEAMER

ESDZ-1200 (ANT9300624, ANT9300625)



HK# ANT7000674
Replacement platen kit
208/240V





DUAL ZONE EGG STATION/STEAMER ESDZ-1200 (ANT9300624, ANT9300625)

HK# Antunes 9300 Series			
Item	HK#	Description	Qty.
1	ANT0200367	Gasket, platen seam	1
2	ANT0507598	Cover, platen seam	1
3	ANT0507657	Spacer, "L" bracket	1
4	ANT2120268	Spacer, hinge bracket, qty. 7	7
5	ANT3250132	Screw, mach ¼-20X½", s/s 304	10
6	ANT0100305	Grill split platen-casting, see item #91	2
7	ANT0013380	Rack Assembly - 6 egg (order item 102)	2
8	ANT7001624	Ball knob	2
9	ANT7001543	Rack, egg ring	2
10	ANT7001402	Egg ring kit (single pack)	1
	ANT7001403	Egg ring kit (5/pk.)	1
	ANT7001216	Egg ring kit (6/pk.)	1
	ANT7001544	Egg ring kit (12/pk.)	1
11**	ANT308P350	Screw pan head, #8-32 x ¾ with int. tooth washer	1
12	ANT0013359	Assy., cover	2
13	ANT0800497	Pivot rod	1
14	ANT0022355	Weldment, hinge support	1
15	ANT2100138	Knob, ball	2
16	ANT0022336	Weldment, cover & trough	2
17	ANT2120111	Spacer	2
18	ANT0400485	Insulation, platen	1
19**	ANT304P105	Nut, Hex 'Keps' #4-40	1
20	ANT0504078	Bracket, hi-limit	2
21	ANT0507667	Bracket, sensor	2
22	ANT0600165	Spring, compression	2
23	ANT4051050	Thermocouple, type k, open end	2
24**	ANT325P104	Washer, flat - ¼"	1

*Not shown
**Items are available in packages of 10.

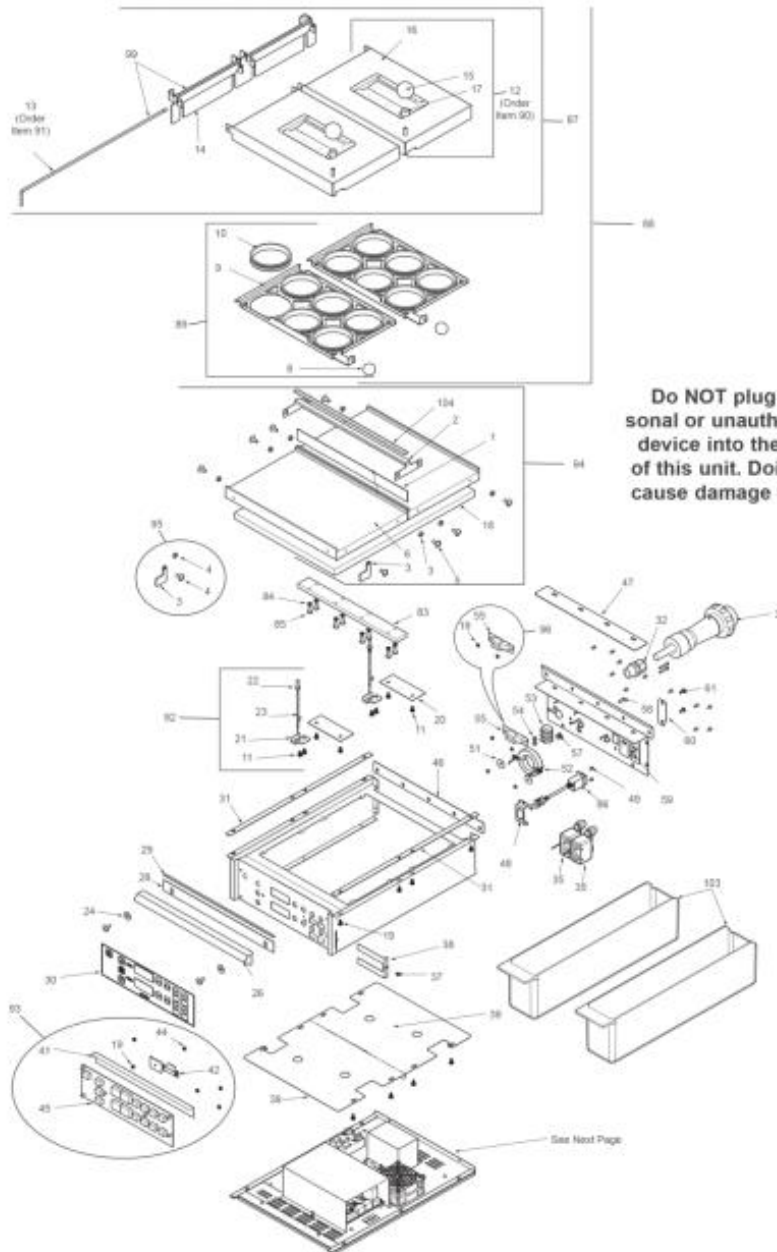
HK# Antunes 9300 Series			
Item	HK#	Description	Qty.
25**	ANT310P213	Scr, phpanhd #10-16 x ¼", thrd form	1
26	ANT0022341	Nose piece weldment	1
27**	ANT306P130	Nut, Hex Keps #06-32, steel; zinc plated	1
28	ANT0200368	Gasket, nose piece	1
29	ANT0200369	Gasket, nose piece lip	1
30	ANT1002657	Label, control	1
	ANT0700724	Power cord 20A with pin & sleeve plug (Mfg. no. 9300624)	1
31	ANT0700552	Power cord NEMA L6-30P, twist lock (Mfg. no. 9300625)	1
32	ANT0400315	Strain relief	1
33	ANT0200366	Gasket, housing (side)	1
35	ANT7000272	Thermostat, hi-limit kit	2
37**	ANT306P180	Screw, mach. Truss Head Phillips, #6-32 X ½"	1
38	ANT0507655	Bracket, display	1
39	ANT0507607	Retainer, insulation	2
41	ANT0400482	Insulation cover, control board	1
42	ANT2110213	Clamp, 1" flat cable mount	1
44**	ANT304P106	4-40 Acorn nut	1
45	ANT4070257	Asy-pcb, ESDZ display board	1
46	ANT0200364	Gasket, rear panel	1
47	ANT0200365	Gasket, rear panel bottom	1
48	ANT0507073	Bracket, USB mounting	1
49**	ANT304P114	Screw, mach #4-40 x ¼"	1
51**	ANT308P333	Washer, fender #8 flat	1
52	ANT0013409	Ferrite assembly	1
53	ANT4060355	Terminal block, 3-pole	1

*Not shown
**Items are available in packages of 10.



DUAL ZONE EGG STATION/STEAMER

ESDZ-1200 (ANT9300624, ANT9300625)





DUAL ZONE EGG STATION/STEAMER ESDZ-1200 (ANT9300624, ANT9300625)

HK# Antunes 9300 Series			
Item	HK#	Description	Qty.
54**	ANT306P101	Nut, Hex #10-32 x 3/8 sltrshd; 304 s/s; brt	1
55	ANT4070154	Varistor board	1
57**	ANT308P143	Nut, Hex 'Keps' #8-32	1
58**	ANT308P124	Screw, mach. One way #8-32	1
59**	ANT310P109	Scr, mach #10-32 X 3/8 sltrshd; 304 s/s; brt	1
60	ANT0507807	Cover-ccw, USB	1
61**	ANT308P227	Scr mach #8-32 X 3/8", Hxhdsltd; shoulder	2
62	ANT0400481	Cover, contactor	1
63	ANT0400484	Cover, ele. insulation	1
64**	ANT306P146	Washer #6 Nylon .062 THK	1
65	ANT7001017	Contactorkit	1
68	ANT7001142	Relay, solid state dual pole	1
69	ANT4070256	Asy-pcb, ESDZ control board	1
71	ANT4070198	Snubber board	1
72	ANT0800903	Guard, fan	1
74	ANT7000913	Fan replacement kit	1
76	ANT2120269	Spacer, #6 SCR nylon	7
77	ANT21000-0043	Spacer, 3/8 CBS thread female	2
78	ANT2100109	Foot, rubber	4
79	ANT2100159	Adjuster, leg	4
80	ANT2100158	Leg cup	4
81	ANT0200371	Gasket, main housing to base plate	2
82	ANT0200372	Gasket, main housing to base plate-short	1

*Not shown

**Items are available in packages of 10.

HK# Antunes 9300 Series			
Item	HK#	Description	Qty.
83	ANT2110212	Bar, dual platen clamp	1
84**	ANT310P102	Washer, int. tooth-lock, #10	1
85**	ANT310P120	Scr, mach #10-32 X 3/8, sltrshd; 304 s/s; brt	1
86	ANT4060451	USB A-F Pnl mount/A-M Shield	1
87	ANT7001243	ESDZ-1200 Top cover kit	1
89	ANT7001244	ESDZ-1200 Top cover & egg rack kit	1
89	ANT7001245	ESDZ-1200 Egg rack kit	1
90	ANT7001246	ESDZ-1200 Top cover kit (single)	1
91	ANT7001247	ESDZ-1200 Pivot rod kit	1
92	ANT7001248	ESDZ-1200 Thermocouple kit	1
93	ANT7001249	ESDZ-1200 Display board kit	1
94	ANT7001250	ESDZ-1200 Platen kit	1
95	ANT7001251	ESDZ-1200 L-Bracket kit	1
96	ANT7001252	ESDZ-1200 Varistor board kit	1
97	ANT7001253	ESDZ-1200 Main board kit	1
98	ANT7001254	ESDZ-1200 Contactorkit	1
99	ANT7001255	ESDZ-1200 Hinge and pivot rod kit	1
100	ANT210K122	Adjustable leg kit	4
101	ANT7001142	Solid state relay replacement kit	1
102*	ANT7001216	Egg ring kit, 6/pk.	1
103*	ANT2180259	Scrap tray	2
104	ANT0200381	Gasket, cover platen	1
105	ANT0508055	Fan bracket	1

*Not shown

**Items are available in packages of 10.



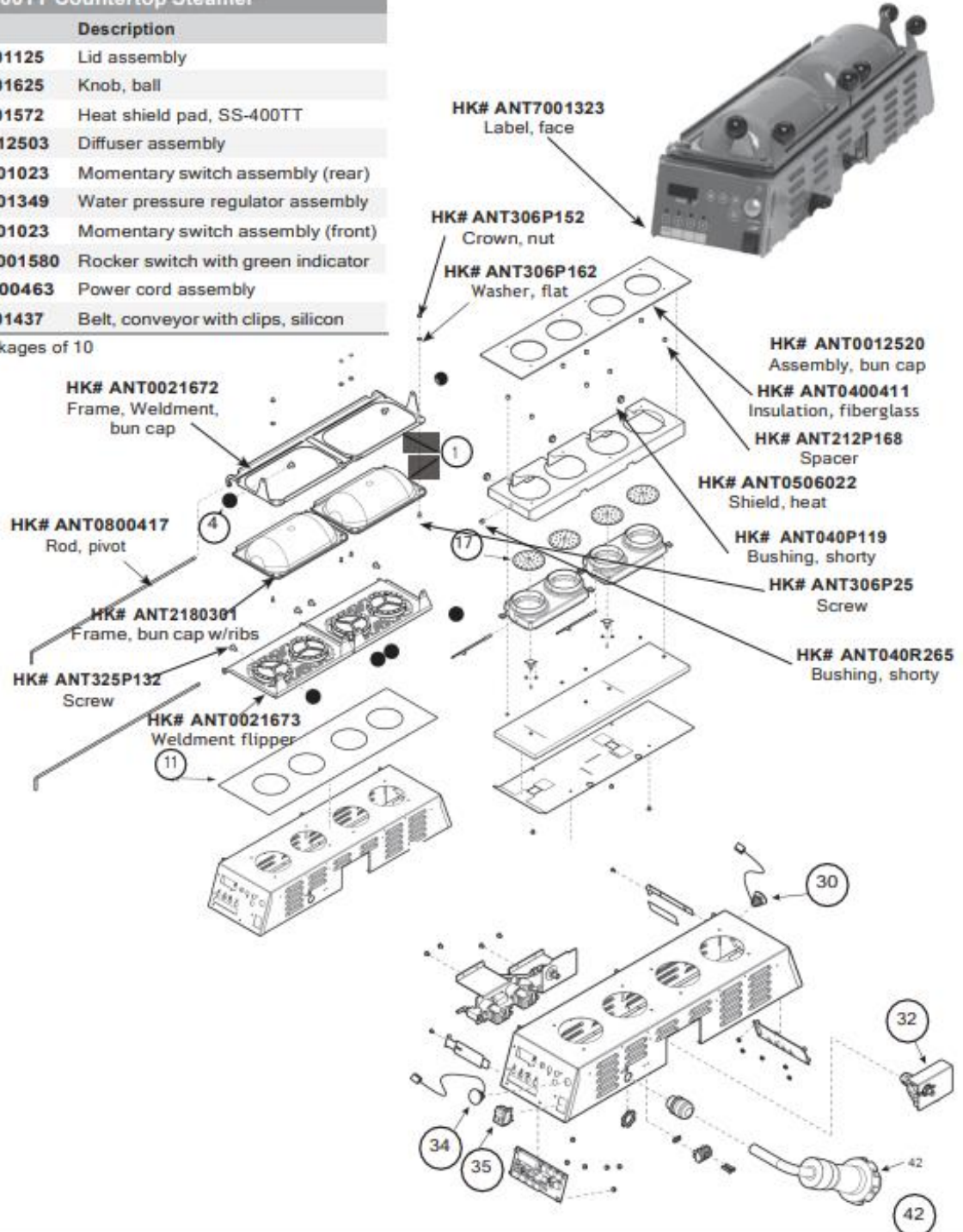
COUNTERTOP STEAMER

SS-400TT (ANTSS-400TT)



HK# ANTSS-400TT Countertop Steamer		
Item	HK#	Description
1	ANT7001125	Lid assembly
4	ANT7001625	Knob, ball
11	ANT7001572	Heat shield pad, SS-400TT
17	ANT0012503	Diffuser assembly
30	ANT7001023	Momentary switch assembly (rear)
32	ANT7001349	Water pressure regulator assembly
34	ANT7001023	Momentary switch assembly (front)
35	ANT70001580	Rocker switch with green indicator
42	ANT7000463	Power cord assembly
	ANT7001437	Belt, conveyor with clips, silicon

Sold only as packages of 10

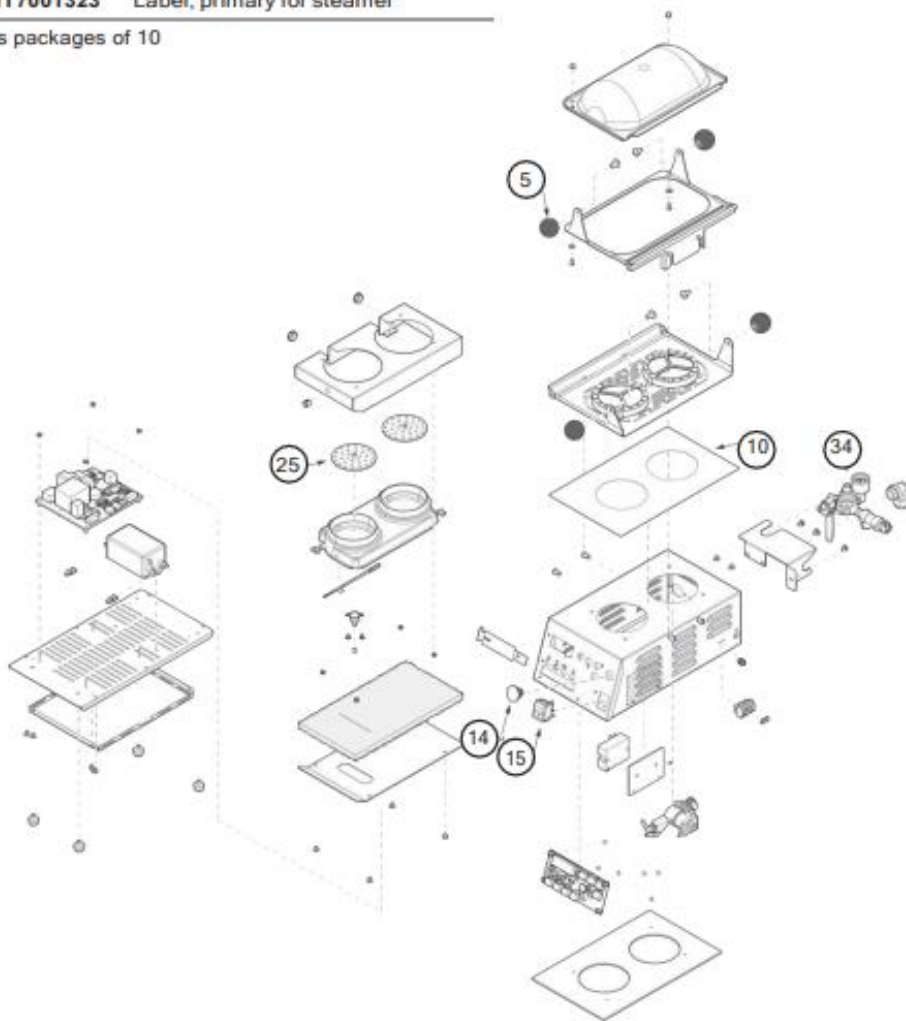




COUNTERTOP STEAMER SS-200TT (ANTSS-200TT)

HK# ANTSS-200TT Countertop Steamer		
Item	HK#	Description
5	ANT7001625	Knob ball
10	ANT0400408	Heat shield pad SS-200TT
14	ANT7001023	Momentary switch
15	ANT7000542	Rocker switch kit (power on/off)
25	ANT0012503	Diffuser
34	ANT7000761	Water Regulator Kit SS-200TT
	ANT7001323	Label, primary for steamer

Sold only as packages of 10



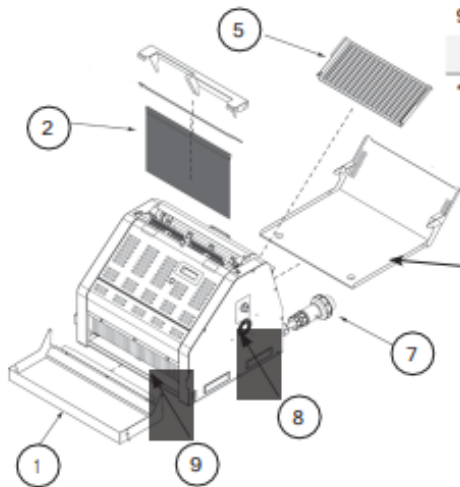
UNIVERSAL TOASTER

UTX-200



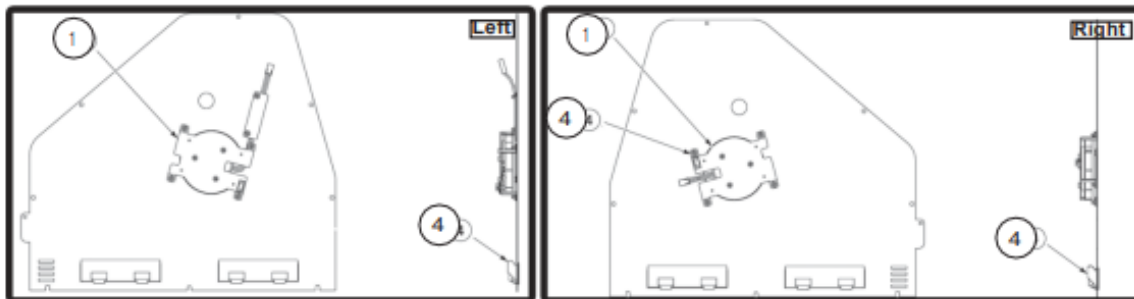
HK# UTX-200 Universal Toaster		
Item	HK#	Description
1	ANT0011898	Assy., bun buffer
2	ANT7000496	Release sheet, platen (one pre-installed, 2 packaged)
*	ANT7000495	Release sheet, platen (10/pk.)
5	ANT0504371	Breakfast chute
7	ANT0700698	Power cord assy., 3 Ph 250V, 30A 7000508, horizontal conveyor kit
8	ANT7001324	Control knob
9	ANT7001322	Teflon curtain
	ANT7000680	Rocker power switch

*Not shown



HK# 0021497
Tray, crumb, Weldment

HK# ANTUTX-200 Side Panel Cover Assembly		
Item	HK#	Description
1	ANT7000494	Assy. blower
2	ANT7001611	Handle, pocket pull, snap-in



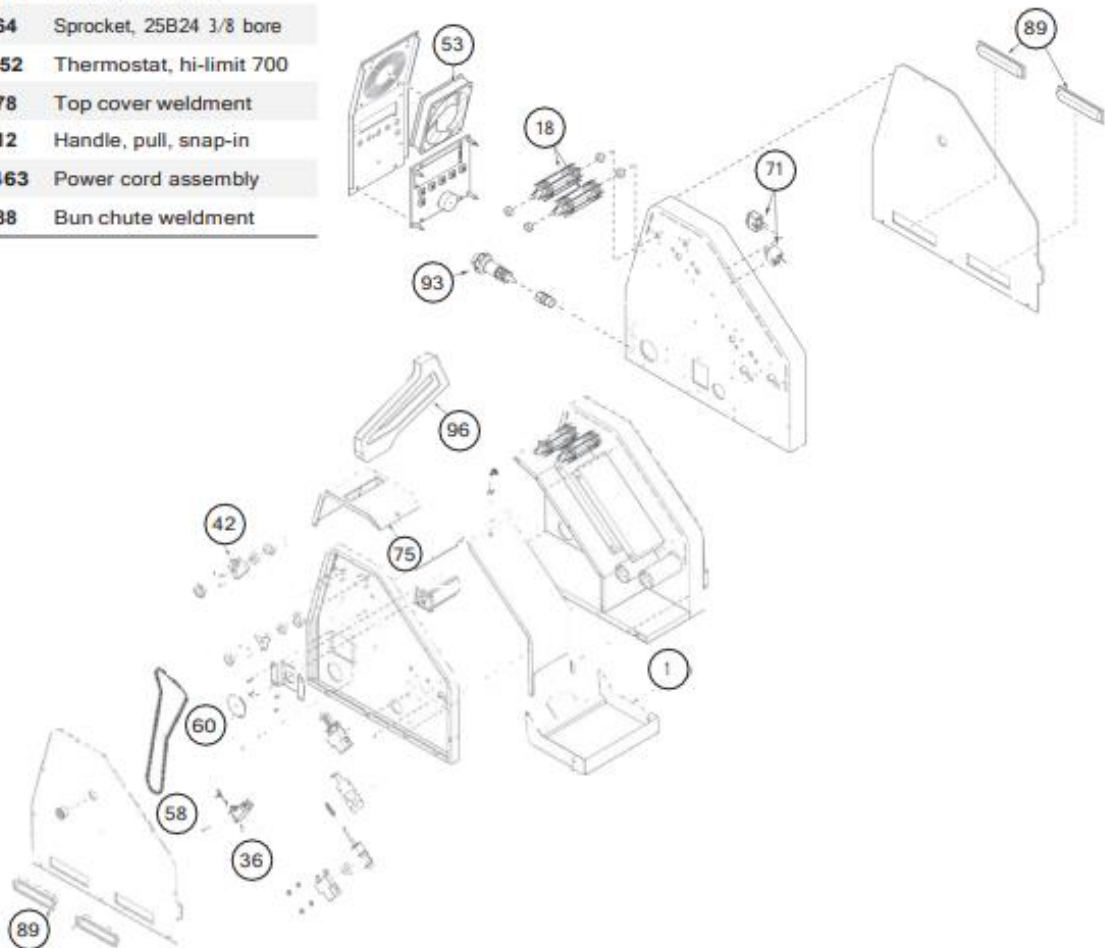


CLUB TOASTER CTX-200L

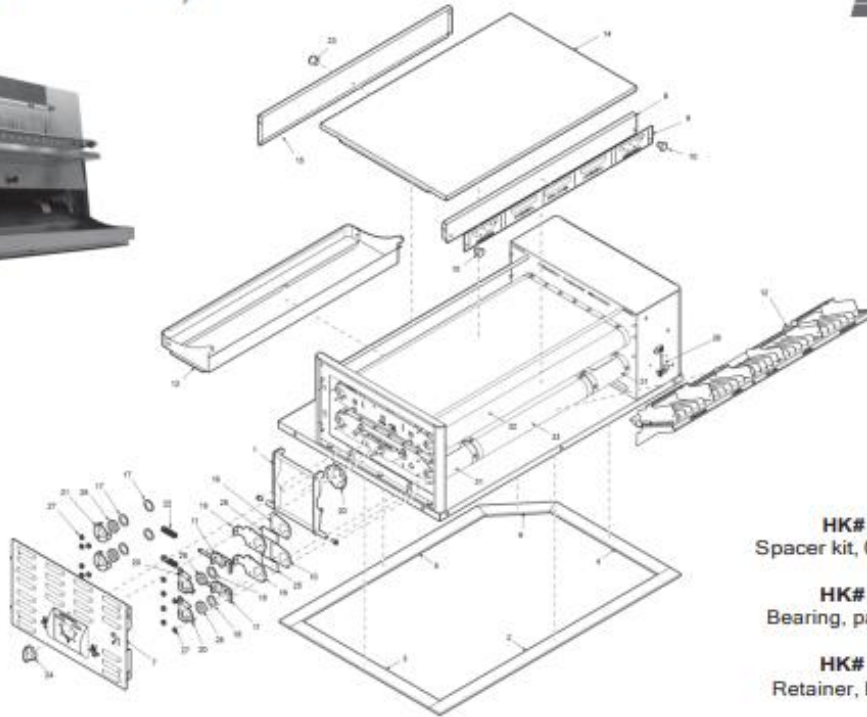


HK# ANTCTX-200L Club Toaster

Item	HK#	Description
1	ANT0011957	Bun collection chute assy.
18	ANT0011961	Drive pulley assembly
36	ANT7000513	Drive tensioner assembly
	ANT2150179	Sprocket, 25B14 1/2" bore
42	ANT0011969	Idler sprocket assembly
53	ANT4000132	Fan, blower
58	ANT0600143	Spring, extension
60	ANT2150264	Sprocket, 25B24 3/8 bore
71	ANT4030352	Thermostat, hi-limit 700
75	ANT0021378	Top cover weldment
89	ANT2100212	Handle, pull, snap-in
93	ANT7000463	Power cord assembly
96	ANT0021388	Bun chute weldment



HORIZONTAL CONTACT TOASTER-BUN HCT-5H (ANT-HCT-5H)



HK# ANT7001389
Spacer kit, 0400438 for HCT-5H

HK# ANT7000777
Bearing, pack of 2 for HCT-5H

HK# ANT0506959
Retainer, bearing for HCT-5H

HK# ANTHCT-5H Horizontal Contact Toaster			
Item	HK#	Description	Qty.
1	ANT0022045	Weldment, hinge bracket - bottom	1
2	ANT0200329	Base gasket, 33.86" Lg	1
3	ANT0200330	Base gasket, 19.52" Lg	1
4	ANT0200340	Base gasket, 15.99" Lg	1
5	ANT0200341	Base gasket, 27.86" Lg	1
6	ANT0200342	Base gasket, 7.83" Lg	1
7	ANT0013036	Side door assembly	1
8	ANT0022107	Weldment, front cover	1
9	ANT1001568	Label, product	1
10	ANT2100247	Knob	2
11	ANT0021724	Weldment, bearing brkt & spring guide - Rh	2
12	ANT7001219	Bun feeder kit	1
13	ANT0022047	Weldment, bun stopper	1
14	ANT0022048	Weldment, top cover	1
15	ANT0022108	Weldment, back cover	1
16	ANT0200331	Mica, spacer front	2
17	ANT0400438	Spacer, 1.25OD X .03Thk, Nomex	4

*Available in packages of 10.

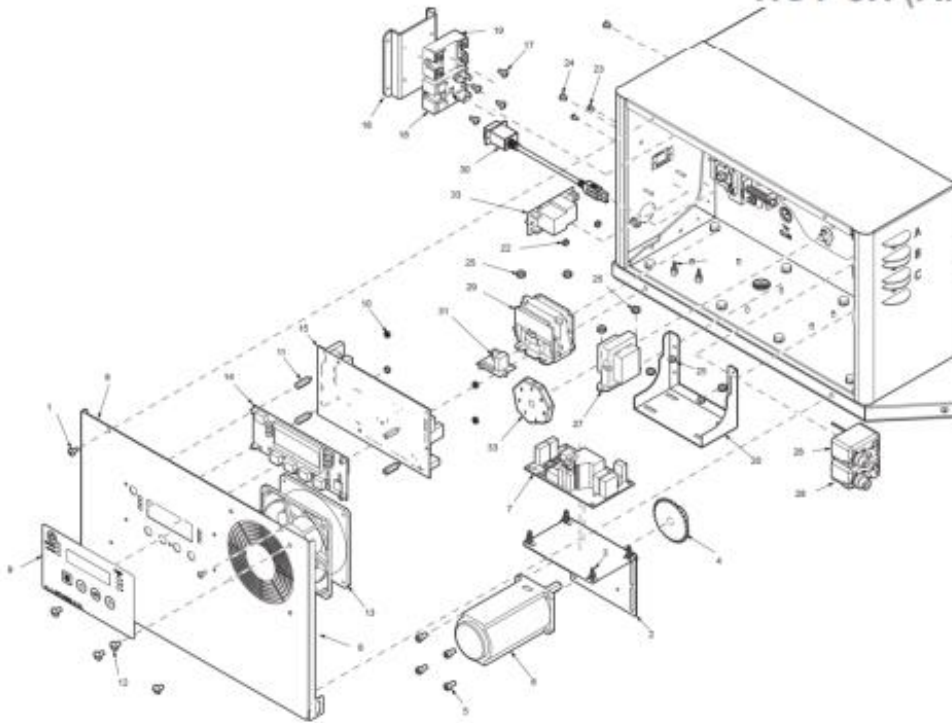
HK# ANTHCT-5H Horizontal Contact Toaster			
Item	HK#	Description	Qty.
18	ANT0504320	Spacer 0.781 X 1.125 X 0.06"	4
19	ANT0506957	Plate, tensioner Rh	2
20	ANT0506958	Bracket, tensioner	2
21	ANT0506959	Retainer, bearing	2
22	ANT0600158	Spring, roller tension	4
23	ANT2100247	Knob	1
24	ANT2100253	Knob, 1/4" shaft, push-on	1
25	ANT2100334	Thrust strip, Teflon	4
26	ANT2150285	Bearing, single groove s/s	6
27	ANT308P143*	Nut, Hex 'Keps' #8-32	1
28	ANT4060450	Cap, USB with lanyard	1
29	ANT2150347	Cam	2
30	ANT7000799	Belt replacement kit (incl. items 31 - 33)	1
31	ANT7000795	Crown belt	2
32	ANT7000796	Main belt	1
33	ANT7000797	Heel/club belt	1

*Available in packages of 10.





HORIZONTAL CONTACT TOASTER-BUN HCT-5H (ANT-HCT-5H)



Item	HK#	Description	Qty.
1	ANT308P157*	Screw, tap 8-32 X 3/8" Lg	11
2	ANT0506961	Plate, motor mounting	1
3	ANT21000-0046	Standoff, 1/4" locking pcb	4
4	ANT2150295	Sprocket, 25B28 .395" Bore	1
5	ANT3100199	Scr, #10-32 X 3/8 Lg socket hd cap	4
6	ANT7001041	Drive motor kit	1
7	ANT7001040	Motor board kit	1
8	ANT0022055	Weldment cover side control hsg	1
9	ANT1001569	Label, control	1
10	ANT304P105*	Nut, Hex 'Keps' #4-40	1
11	ANT304P117*	Hex spacer, male-female, 4-40 X 1/4" Lg	1
12	ANT310P109*	Screw, mach. #10-32 X 3/8"	1
13	ANT4000132	Fan, blower	1
14	ANT7001043	Display board kit	1
15	ANT4070233	Main board	1
16	ANT0506156	Heat sink, relay	4

*Available in packages of 10.

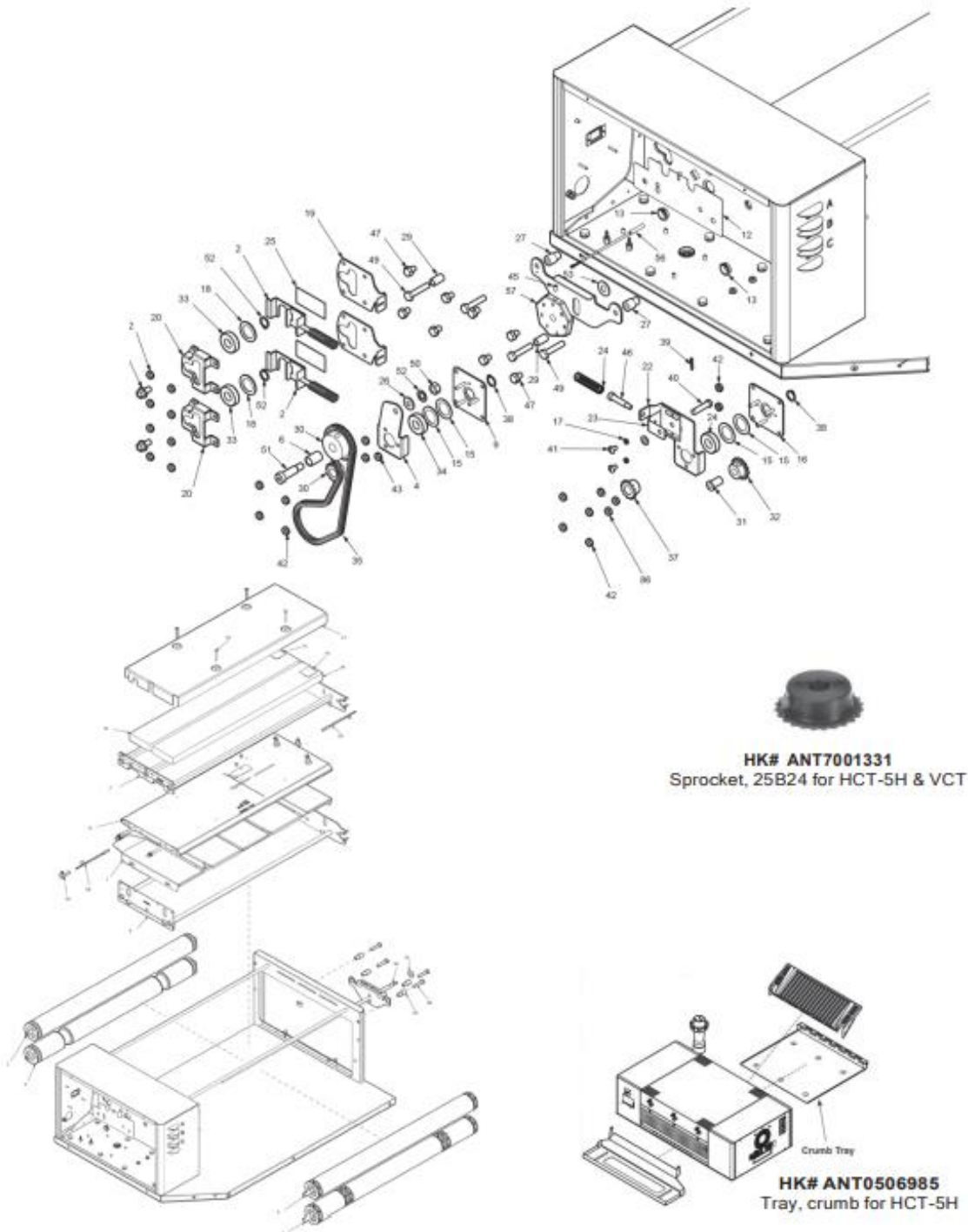
Item	HK#	Description	Qty.
17	ANT308P157*	Screw, tap 8-32 X 3/8" Lg	1
18	ANT4050240	Relay, solid state dual pole with conn-recept	1
19	ANT4051010	Relay, random phase, solid state-50A	1
20	ANT0506946	Bracket, motor mounting	1
21	ANT21000-0043	Spacer, 3/8 cbs thread female	2
22	ANT304P105*	Nut, Hex 'Keps' #4-40	1
23	ANT304P114*	Screw, mach. #4-40 X 1/4"	1
24	ANT306P104*	Screw, mach. #6-32 X 1/4"	2
25	ANT308P143*	Nut, Hex 'Keps' #8-32	1
27	ANT4010187	Transformer, 240 vac/12vac	1
28	ANT4030352	Thermostat, hi-limit 700°F	2
29	ANT4050236	Contactora, 2 pole no	1
30	ANT14060451	USB, A-F Pnl mount/A-M shield	1
31	ANT4070198	Snubber board	1
32	ANT4070221	Varistor board	1
33	ANT2150347	Cam	2

*Available in packages of 10.



HORIZONTAL CONTACT TOASTER-BUN

HCT-5H (ANT-HCT-5H)





HORIZONTAL CONTACT TOASTER-BUN HCT-5H (ANT-HCT-5H)

HK# ANTHCT-5H Horizontal Contact Toaster			
Item	HK#	Description	Qty.
1	ANT0013035	Adj. platen assembly	1
2	ANT0021725	Weldment, bearing, bracket & spring guide - LH	2
3	ANT0022000	Weldment, idler roller front top	1
4	ANT0022001	Weldment, idler roller rear top	1
5	ANT0022002	Weldment, drive roller front bottom	1
6	ANT0022003	Weldment, drive roller rear bottom	1
7	ANT0022020	Weldment, top frame	1
8	ANT0022035	Weldment, bottom frame	1
9	ANT0022054	Front bearing plate weldment	1
10	ANT0022134	Weldment, thermocouple tube	2
11	ANT0100286	Plante, main 208 vac, 3600W	1
12	ANT0200332	Control hsg mica insulation	1
13	ANT0400119	Bushing, shorty 1/4"	2
14	ANT0400290	Insulator, electrical	2
15	ANT0400438	Spacer, 1.25OD X .03Thk, Nomex	2
16	ANT0400445	Main platen, insulation	2
17	ANT0502199	Spacer	2
18	ANT0504320	Spacer, 0.781 X 1.125 X 0.06"	4
19	ANT0506144	Plate, tensioner Rh	2
20	ANT0506163	Bracket, tensioner	2
21	ANT0506972	Plate, insulation	1
22	ANT0507151	Bracket, bearing retainer, bottom	1
23	ANT0507153	Retainer, chain tensioner sprocket	1
24	ANT0600150	Spring, roller tension	1
25	ANT2100334	Thrust strip, Teflon	4
26	ANT2120118	Washer, flat	1
27	ANT2120253	Spacer, upper locking plate, control side	2
28	ANT2120254	Spacer, upper locking plate, end side	4
29	ANT2120255	Spacer, upper locking plate, control side	2

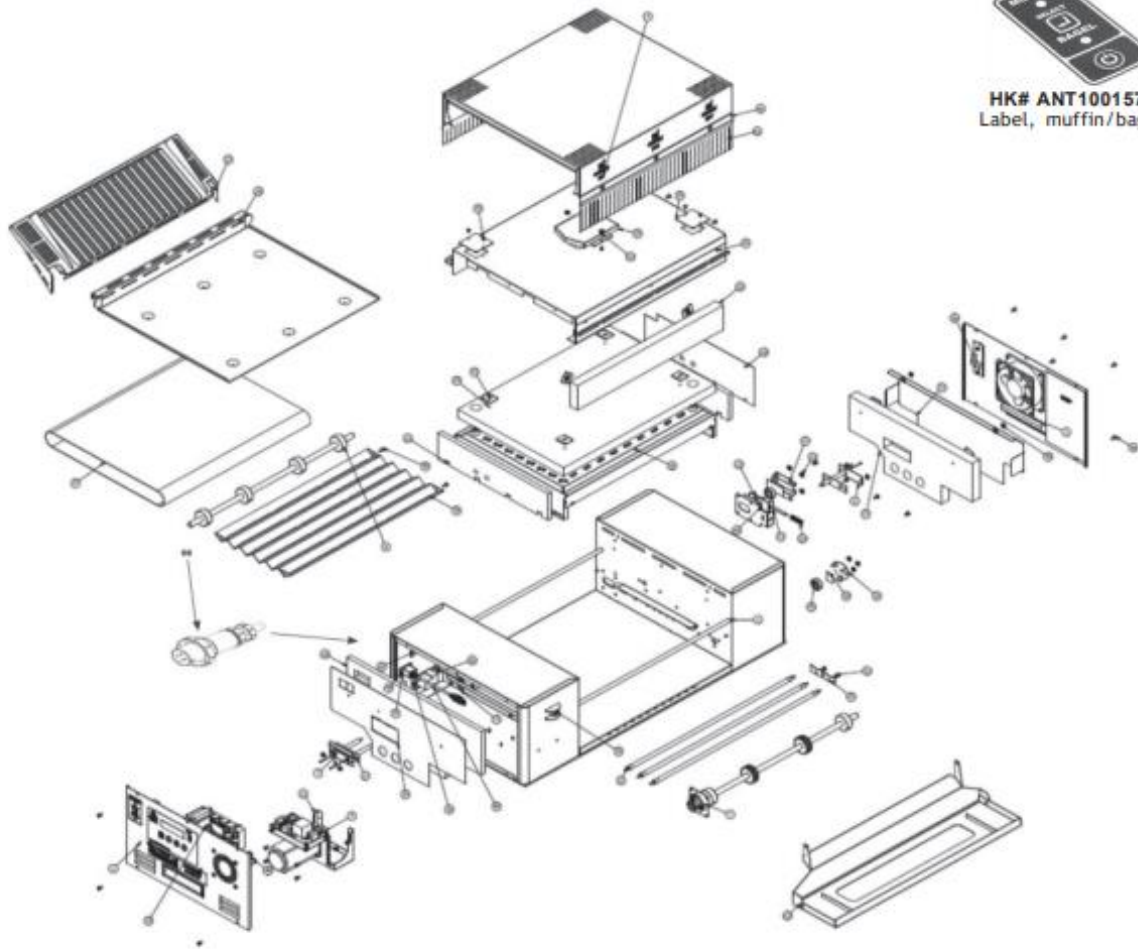
*Not Shown
**Available in packages of 10

HK# ANTHCT-5H Horizontal Contact Toaster			
Item	HK#	Description	Qty.
30	ANT2150193	Sprocket, 25B24 1/2" Bore	1
31	ANT2150250	Bearing, flanged	1
32	ANT2150251	Sprocket, 25B14 3/8" Bore	1
33	ANT2150285	Bearing, single groove s/s	7
35	ANT2150380	Chain, drive (64 links)	1
36	ANT2150386	Cam shaft	1
37	ANT2150392	Sprocket, 25B12 1/2" Bore	1
38**	ANT3000123	Ring, retaining, external	1
39**	ANT303P115	Cotter pin-1/8"	1
40**	ANT303P133	Pin, clevis	1
41**	ANT308P127	Screw, mach. #8-32 X 1/4"	1
42**	ANT308P143	Nut, Hex 'Keps' #8-32	1
43**	ANT308P143	Nut, Hex 'Keps' #8-32	1
44**	ANT308P341	#8-32 X 1.5" Lg Truss head screw	1
45**	ANT310P187	Screw set, #10-32 X 3/4, hex socket-cone point	1
46	ANT310P207	Hex socket shoulder screw, #10-32 X 1" Lg	1
47**	ANT325P174	Screw, machine Hex HD 1/4-20 X 3/8	8
48**	ANT325P176	Screw, flange Hex head cap	2
49**	ANT325P193	Screw, hex head, #1/4-20 X 1.375", s/s	1
50**	ANT331P101	Nut, hex 5/8 - 18	1
51	ANT3310103	Shoulder bolt 3/8" X 1"	1
52**	ANT331P106	Lock washer	1
53	ANT3380117	Washer, 3/8" PTFE	2
54	ANT4050214	Thermocouple type "K" (open end)	1
55	ANT4051022	Thermocouple type "K" (open end), 52" Lg	1
56	ANT4051023	Thermocouple type "K" (open end), 32" Lg	1
57	ANT2150347	Cam	2
58*	ANT0700482	Power cord assembly	1

*Not Shown
**Available in packages of 10



HORIZONTAL RADIANT TOASTER-MUFFIN/BAGEL HRT-5H (ANT-HRT-5H)



HK# ANT1001571
Label, muffin/bagel





HORIZONTAL RADIANT TOASTER-MUFFIN/BAGEL



HRT-5H (ANT-HRT-5H)

HK# HRT-5H Horizontal Radiant Toaster			
Item	HK#	Description	Qty.
1	ANT0013029	Conveyor housing assembly	1
2	ANT0013030	Control housing cover assembly	1
3	ANT0013031	End of housing cover assembly	1
3a	ANT7001027	Muffin/bagel power board kit	1
4	ANT0013032	Top cover assembly	1
4a	ANT7001028	Curtain kit	1
4b	ANT7001029	Curtain retainer kit	1
5	ANT7001031	Control housing probe kit	1
6	ANT7001032	End housing probe kit	1
7	ANT0013051	Drive shaft assembly	1
8	ANT0013052	Idler shaft assembly	1
9	ANT0013053	Drive motor assy	1
10	ANT0013054	Relay - sink bracket assy	1
11	ANT0021482	Bearing bracket/clip weldment	2
12	ANT0022042	Bun feeder weldment	1
13	ANT0022041	Tray holder weldment	1
14	ANT0022042	Top inside cover weldment	1
15	ANT0400119	Bushing, shorty 3/8"	4
16	ANT0400448	Nomex insulation, control HSG	1
	ANT0400449	Mica insulation, probe assembly	2
18	ANT0400450	Mica insulation, heater sides	2
19	ANT0400451	Insulation, heater top	1
20	ANT0400452	Insulation, control HSG	1
21	ANT0400453	Insulation, end HSG	1
22	ANT0400454	Insulation, heater side	2
23	ANT0400455	Insulation, side	1
24	ANT0503376	Retainer, bearing	1
25	ANT0504304	Plate, spacer	2
26	ANT0506907	Reflector, bottom	1
27	ANT0506908	Bracket, tensioner	2
28	ANT0506909	Tray, crumb	1
29	ANT0506929	Cover, terminal	1
30	ANT0506930	Guard, terminal	2
31	ANT0506946	Bracket, motor mounting	1
32	ANT0506963	Reflector, inside wall	1

*Not shown
 **Available in packages of 10

HK# HRT-5H Horizontal Radiant Toaster			
Item	HK#	Description	Qty.
33	ANT0506964	Clip, heater	4
34	ANT0506965	Bracket, USB retainer	1
35	ANT0600141	Spring, compression	2
36	ANT0700915	Wire set, horz. IR toaster	1
37	ANT0800384	Belt wire flat - flax	1
38	ANT0800386	Link set, wire belt	1
39	ANT2100256	Thrust strip, Teflon	1
40	ANT2100334	Thrust strip, Teflon	4
41	ANT2150384	Bearing assy, hi-temp, 1 1/8" OD	3
42**	ANT300P117	Washer, retainer	8
43**	ANT304P105	Nut, Hex 'Keps' #4-40	4
44**	ANT304P114	Screw, mach. #4-40 X 1/4"	2
45**	ANT306P104	Screw, mach. #6-32 X 1/4"	4
46**	ANT306P130	Nut, Hex Keps #6-32, (small pattern)	2
47**	ANT308P124	Screw, mach. one-way #8-32	1
48**	ANT308P143	Nut, Hex 'Keps' #8-32	15
49**	ANT308P157	Screw, tap 8-32 X 3/8" Lg	15
50**	ANT308P183	Screw, hex head 'sems' #8-32 X 0.375	4
51**	ANT308P199	Nut, Hex 'Keps' #8-32	2
52**	ANT308P203	Screw, tap 8-32 X 3/8" with int. tooth washer	16
53**	ANT310P146	Nut, Hex 'Keps' #10-32	12
54	ANT4010187	Transformer, 240 Vac/12Vac	1
55	ANT4030352	Thermostat, hi-limit 700°F	1
56	ANT7001035	Top heater kit	1
57	ANT7001034	Bottom heater kit	1
58	ANT4060374	Ground lug	1
59	ANT4060450	Cap, USB with lanyard	1
60	ANT4060451	USB, A-F Pnl mount/A-M shield	1
61	ANT4070156	Varistor board	1
62	ANT4070216	Assembly, PCB - current sense board	1
63	ANT7001026	Rod support kit	1
64*	ANT7001027	Base gasket kit	1
65*	ANT7001035	Bearing kit, 3/pk.	1
66	ANT0700923 ANT0013101	Power cord (for 9210856) Power cord (for 9210854)	1

*Not shown
 **Available in packages of 10



Q-ING OVEN

MC23MPW (AMAMC23MPW) + MC23MPTW2 (AMAMC23MPT)

Amana



Door		
Item	HK#	Description
2	AMA59002015	Assy., door glass
4	AMA12003804	Hinge, door
	AMA12990525	Screw
6	AMAR0000282	Latch kit
7	AMAR0156920	Door, outer
*	AMA12490901	Handle, door
11	AMA13047001	Screw, set
13	AMAC8893502	Spring, door latch

*Not shown

Control		
Item	HK#	Description
1	AMA59004008	Shield, grease
2	AMAR0130110	Touch panel (top)
	AMA59104126	Board, display
3	AMA13042201	Screw K
	AMA12002636	Switch, interlock
	AMA21028602	Grille, air inlet
9	AMA13042901	Screw, decorative
	AMAM0274066	Washer, nylon
11	AMA21028602	Cap, screw
13	AMAR0130109	Touch panel (side)
14	AMAR0156942	Assy., tray includes items 12 & 10
17	AMAM0321210	Tie, elec

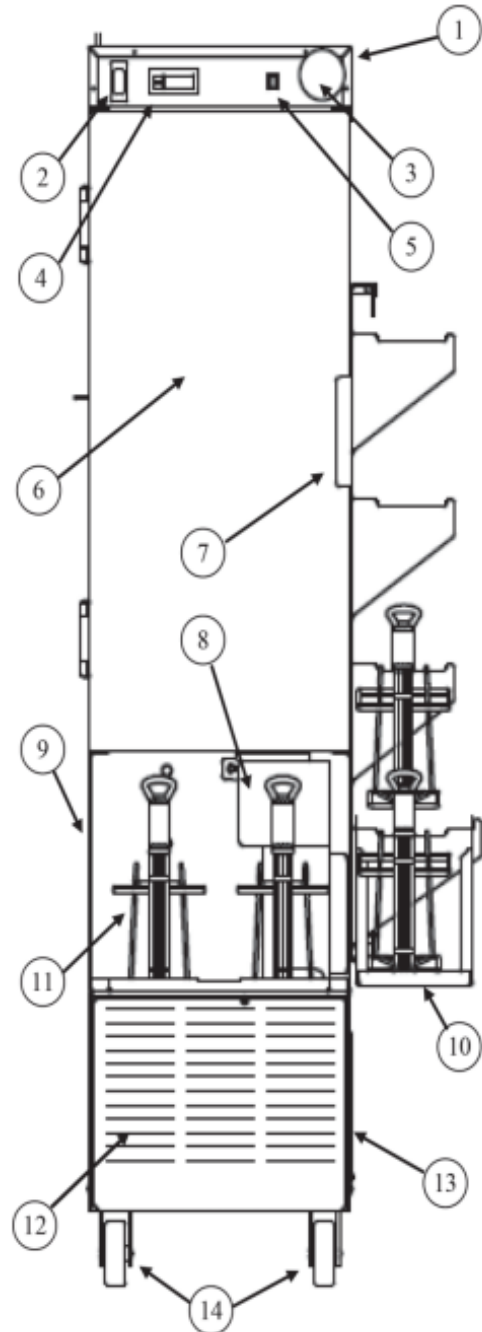
FRY DISPENSER

16-F (AUT16-F-LH + AUT16-F-RH)



HK# AUT16-F-LH & AUT16-F-RH Fry Dispenser			
Item	HK#	Description	Qty.
1	AUT296486	Top cover	1
	AUT213559	Screw, Truss head, Phillips, #10-32x½"	4
	AUT294092	Screw, Truss head, Phillips	4
2	AUT292246	On/off switch 15A	1
3	AUT296515	Dispense switch	1
4	AUT296580	Temperature controller	1
5	AUT296516	Clean switch	1
6	AUT296444	Door gasket	1
	AUT293706	Hinge, door	2
	AUT293855	Screw, Truss head, Phillips, ¼-16x½"	4
7	AUT293197	Handle, door	1
	AUT202077	Screw, Truss head, slotted, ¼-20x½"	2
8		Fry control try and outlet door	1
9	AUT296483	Support, cabinet, left	1
	AUT296484	Support, cabinet, right	1
10	AUT296505	Basket rack, side mount	1
	AUT296506	Drip tray	1
	AUT296508	Support pins, basket rack	1
11	AUT291050	Basket, fry	1
12	AUT296480	Access plate, condenser filter	1
	AUT295845	Filter, condenser	1
13	AUT296581	Door, side access	1
	AUT294092	Screw, flat head, slotted, #8-32 x 1"	2
14	AUT293434	Caster	4
	AUT200774	Screw, Hex-head ¼-18x¼"	16
	AUT290012	Nut, Hex, ¼-18	16
	AUT216159	Washer, ¾/16	16
*	AUT296533	Door heater wire (dom. 120V)	1
*	AUT296511	Label set	1

*Not shown



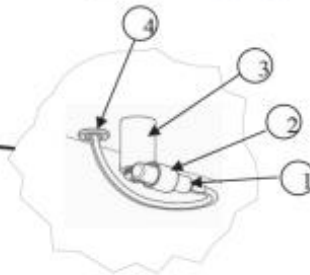
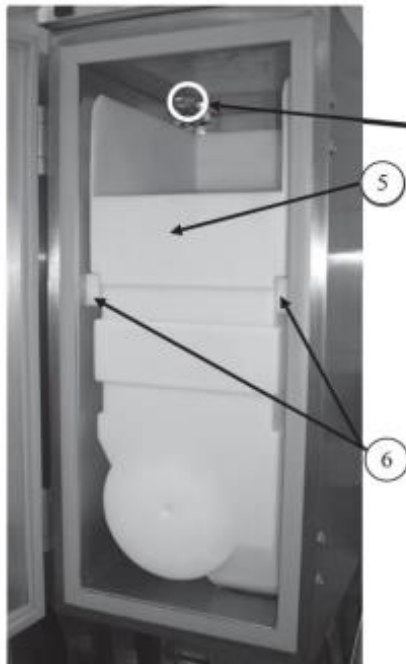
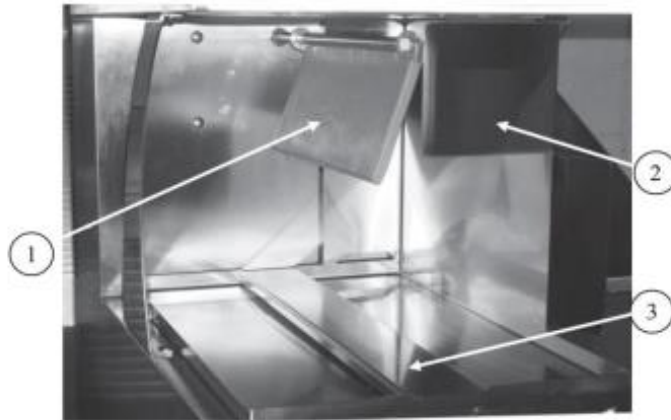


FRY DISPENSER

16-F (AUT16-F-LH + AUT16-F-RH)

Outlet Assembly

Item	HK#	Description
1	AUT296503	Outlet door
2	AUT296667	Fry control tray
3	AUT296671	Drip tray divider

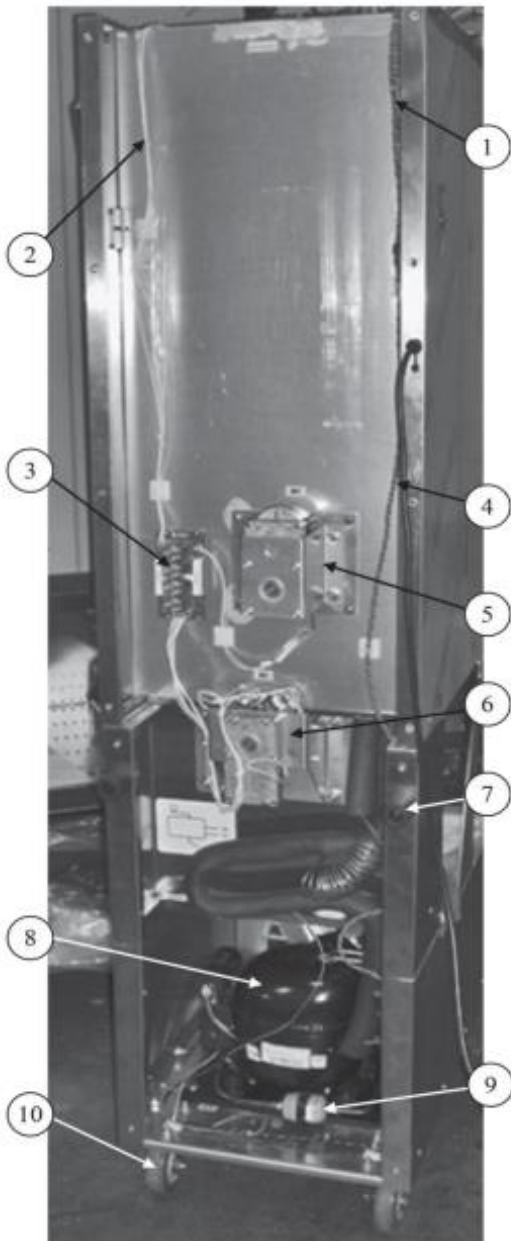


Interior Parts - Front View

Item	HK#	Description	Qty.
1	AUT295853	Probe, temperature	1
2	AUT291284	P-clip	1
3	AUT295234	Spacer	1
4	AUT292058	Grommet	1
5	AUT296525	Hopper	1
	AUT296178	Diverter	
	AUT202366	Drum	
6	AUT295699	Hopper support	4
	AUT293720	Screw, FH, slotted 10-32x1"	

FRY DISPENSER

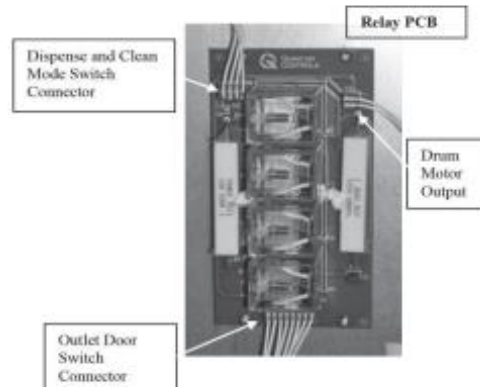
16-F (AUT16-F-LH + AUT16-F-RH)



Dispenser cabinet interior (rear view)

Item	HK#	Description	Qty.
1	AUT296575	Harness, 120V power	1
2	AUT296576	Harness, 24V power	1
3	AUT296718	Relay board	4
4	AUT293399	Power cord (dom. 120V)	1
	AUT294129	Power cord (intl. 240V Euro)	1
5		Drum motor assembly	1
6		Outlet door assembly	1
7	AUT295681	Kit, bumper, wall	2
8	AUT294339	Compressor dom. (120V 60HZ, ½hp)	1
	AUT294723	Compressor intl. (240V 50HZ, ½hp)	1
9	AUT292501	Filter drier	1
	AUT293434	Caster	4
10	AUT200774	Screw, Hex-head 5/16-18x1/4"	16
	AUT290012	Nut, Hex, 5/16-18	16
	AUT216159	Washer, 5/16	16
11	AUT295773	Condenser fan motor (dom. 120V)	1
	AUT295608	Condenser fan motor (intl. 240V)	1
	AUT295601	Blad, condenser fan	1
	AUT293982	Bracket, condenser fan	1
12	AUT294739	Overload switch (½hp dom. 120V)	1
	AUT294781	Overload switch (½hp intl. 240V)	1
	AUT294738	Start relay (½hp dom. 120V)	1
*	AUT296487	Upper back panel	1
	AUT295653	Handle, plastic	1
	AUT294824	Screw, Truss head, #10-32 x 3/8"	8
*	AUT296482	Lower back panel	1
	AUT295653	Handle, plastic	1
	AUT294824	Screw, Truss head, #10-32 x 3/8"	6

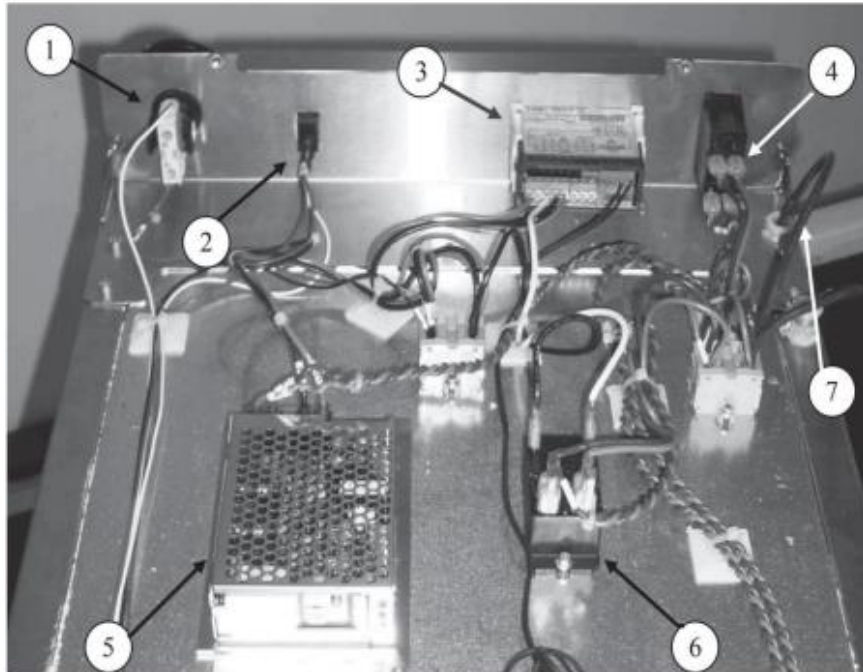
*Not shown



AUTOMATED EQUIPMENT (TAYLOR)



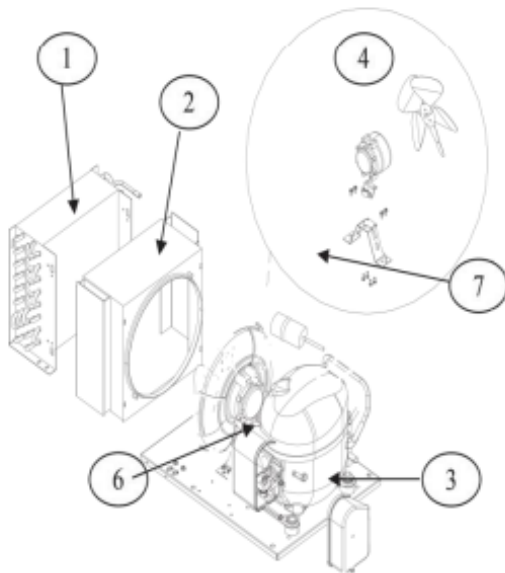
FRY DISPENSER
16-F (AUT16-F-LH + AUT16-F-RH)



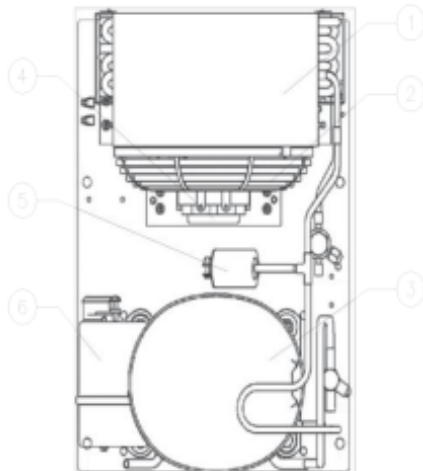
Electrical Cabinet Components			
Item	HK#	Description	Qty.
1	AUT296515	Dispense button	1
2	AUT296516	Clean mode switch	1
3	AUT296580	Temperature controller	1
4	AUT292246	On/off switch	1
5	AUT295699	Power supply	4
6	AUT293405	Refrigeration	1
7	AUT298533	Door heater wire	1

FRY DISPENSER

16-F (AUT16-F-LH + AUT16-F-RH)



Condensing Unit Assembly



Refrigeration System Components

Item	HK#	Description
1	AUT295596	Condenser
2	AUT295603	Fan shroud
3	AUT294339	Compressor dom. (120V 60HZ, ½ hp)
	AUT294723	Compressor intl. (240V 50HZ, ½ hp)
	AUT296329	Compressor intl. (240V 60HZ, ½ hp)
4	AUT295773	Condenser fan motor (dom. 120V)
	AUT295601	Blade, condenser fan
	AUT293982	Bracket, fan mounting
5	AUT292740	High pressure switch
6	AUT294739	Overload switch (½ hp dom. 120V)
	AUT294781	Overload switch (½ hp int. 240V 50HZ)
	AUT296606	Overload switch (½ hp int. 240V 60HZ)
	AUT294738	Start relay (½ hp dom. 120V)
	AUT294780	Start relay (½ hp int. 240V 50HZ)
	AUT296349	Start relay (½ hp int. 240V 60HZ)
7*	AUT293985	Start capacitor (½ hp dom. 120V)
	AUT294779	Start capacitor (½ hp int. 240V 50HZ)
	AUT296348	Start capacitor (½ hp int. 240V 60HZ)
7*	AUT292501	Filter drier
•	AUT293907 Per inch	Capillary tube 86" (218cm) 0.093" O.D., 0.040" I.D. (dom. 120V 60HZ, HP comp.)
	AUT293907 Per inch	Capillary tube 105" (267cm) 0.093" O.D., 0.040" I.D. (int. 240V 50HZ, HP comp.)
•	AUT293907 Per inch	Capillary tube 86" (218cm) 0.093" O.D., 0.040" I.D. (int. 240V 60HZ, HP Comp.)

*Not shown



AUTOMATED EQUIPMENT (TAYLOR)



FRY DISPENSER

200-FX (RAM200-FX + RAM200-FX-RH)

Electrical Cabinet Components

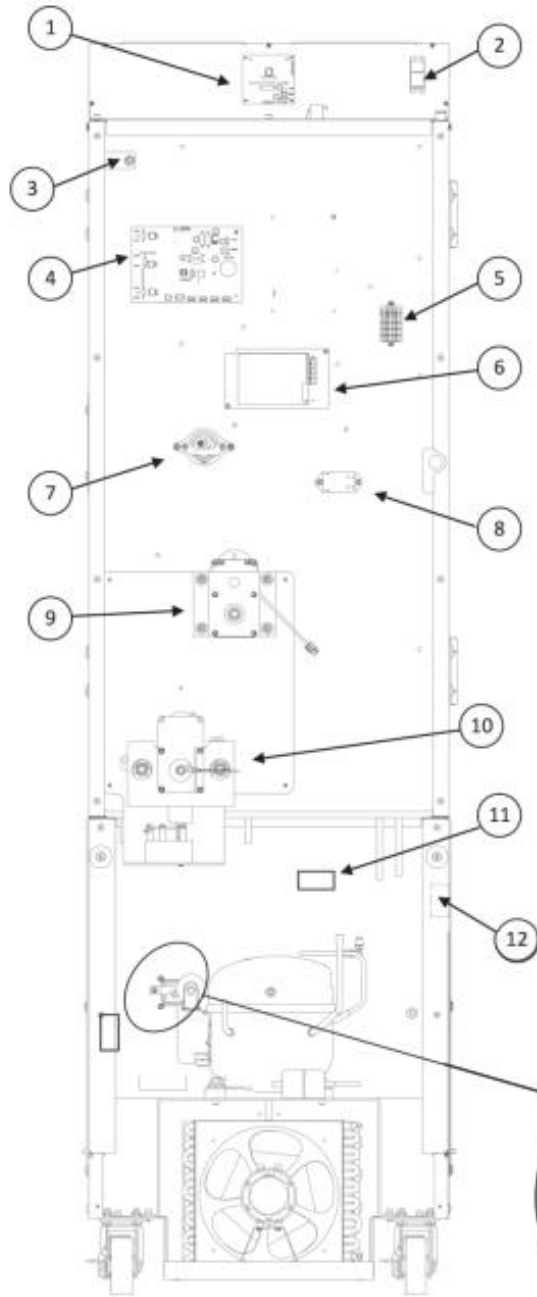
Item	HK#	Description	Qty.
1	AUT295748	Top cover	1
	AUT294824	Screw, Truss head, Phillips, #10-32x½"	9
2	AUT292246	On/off switch 15A	1
	AUT295820	Keypad, MembraneFrame, operator	1
3	AUT295723	Panel	1
	AUT213262	Screw, Truss head, slotted, 10-32x3/8"	5
	AUT213140	Washer, lock #10	5
	AUT295965	Door assembly with gasket	1
	AUT295830	Door gasket	1
4	AUT293706*	Hinge, door	2
	AUT293855	Screw, Truss head, Phillips, 3/8-16x½"	4
	AUT293197	Handle, door	1
5	AUT202077	Screw, Truss head, slotted, ¼-20x½"	2
	AUT295736	Sensor, basket, assembly	1
6	AUT295736	Assembly, basket rack	1
	AUT294021	Basket guide bar	1
	AUT290000	Screw, Truss head, slotted, 10-32x3/8"	2
	AUT295783	Basket stop	1
7	AUT293498	Screw, truss head, slotted, 10-32x¼"	2
	AUT295781	Support bar, basket rack	2
8	AUT213571	Screw, Truss head, slotted, ¼-20x¼"	2
	AUT295845	Condenser filter	2
9*	AUT295780	Drip tray	1
10	AUT293434	Caster, rear	2
	AUT200774	Screw, Hex-head 5/16-18x¼"	8
	AUT290012	Nut, Hex, 5/16-18	8
	AUT216159	Washer, 5/16	8
11	AUT216596	Caster, front	2
	AUT200774	Screw, Hex-head 5/16-18x¼"	8
	AUT290012	Nut, Hex, 5/16-18	8
	AUT216159	Washer, 5/16	8
12	AUT295885	Fry guide	1
	AUT295893	Rail, mounting, fry guide, right	1
	AUT295905	Rail, mounting, fry guide, left	1
	AUT292106	Screw, flat head, slotted, #8-32 x 1"	4
	AUT295234	Hard stop	1
13	AUT291791	Screw, pan head, slotted, #8-32 x 1¼"	1
	AUT293399	Power cord (dom. 120V)	1
*	AUT294129	Power cord (int. 240V Euro)	1
*	AUT291050	Basket, fry	1
*	AUT291051	Case of 6 fry baskets	1
*	AUT295771	Door heater wire (dom. 120V)	1
*	AUT295772	Door heater wire (int. 240V)	1
*	AUT295827	Label set	1

*Not shown



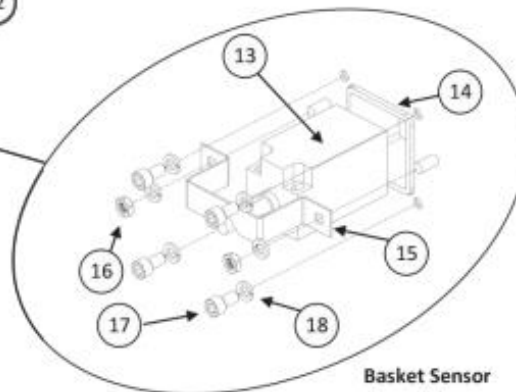
FRY DISPENSER

200-FX (RAM200-FX + RAM200-FX-RH)



Electrical Cabinet Components			
Item	HK#	Description	Qty.
1	AUT295821	Display control PCB	1
2	AUT292246	On/off switch 15A	1
3	AUT293945	Circuit breaker	1
	AUT295689	Mounting bracket	
4	AUT295686	Nut, Hex Nylock #10-32	1
	AUT295397	Controller PCB	
5	AUT202795	Screw, grounding	1
6	AUT293401	Upper terminal block	1
7	AUT295159	Power supply, universal	1
8		Low fry sensor assembly	1
9	AUT293405	Refrigeration relay	1
	AUT213262	Screw, socket head 10-32x $\frac{1}{2}$ "	
10		Drum motor assembly	1
11		Accumulator assembly	1
12	AUT293734	Feedback relay (dom. 120V)	1
	AUT293974	Feedback relay (int. 240V)	
13	AUT293404	Lower terminal block	1
14	AUT296227	Sensor, basket	1
15	AUT295799	Window, sensor, basket	2
16	AUT295800	Bracket, sensor, basket	1
17	AUT213138	Nut, Hex, #10-32	2
18	AUT295819	Screw, socket head, #10-24 x $\frac{3}{8}$ "	4
	AUT213140	Washer, lock, #10	6
*	AUT293415	Heater wire, accum. (dom. 120V)	1
*	AUT294261	Heater wire, accum. (int. 220V)	1

*Not shown



Basket Sensor Assembly

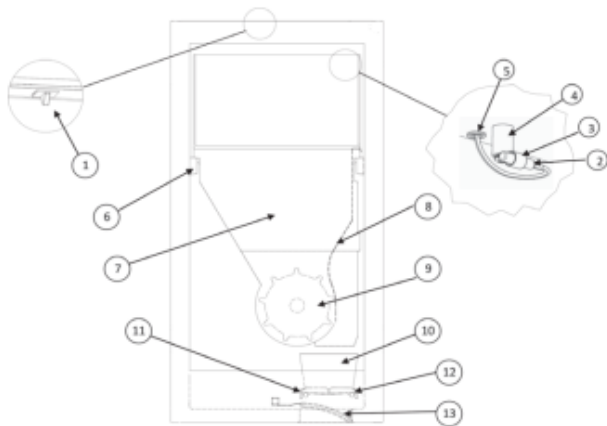


AUTOMATED EQUIPMENT (TAYLOR)

FRY DISPENSER

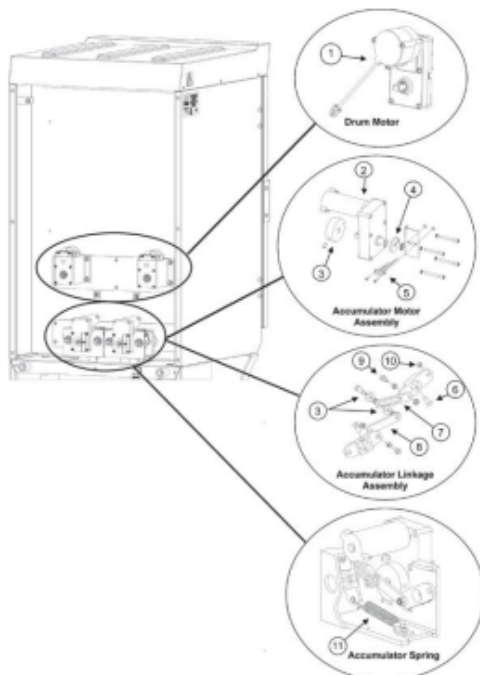


200-FX (RAM200-FX + RAM200-FX-RH)



Interior Cabinet Components			
Item	HK#	Description	Qty.
1	AUT294407	Door switch	1
2	AUT295853	Kit, probe, temperature (includes p-clip)	1
3	AUT295824	P-clip, probe	1
4	AUT295234	Spacer	1
5	AUT292058	Grommet	1
6	AUT295699	Hopper support, sidewall (left or right)	4
	AUT293720	Screw, flat-head, slotted s/s #10-32x 1"	1
7	AUT295696	Hopper	1
8	AUT295697	Diverter, fry	1
9	AUT202366	Drum, high tolerance	1
10	AUT295714	Housing, accumulator	1
11	AUT295786	Door accumulator LH	1
12	AUT295787	Door Accumulator RH	1
13	AUT293375	Door Flap	1
*	AUT295538	Kit, flap door mounting block	1
*	AUT295942	Storage guide	1

*Not shown

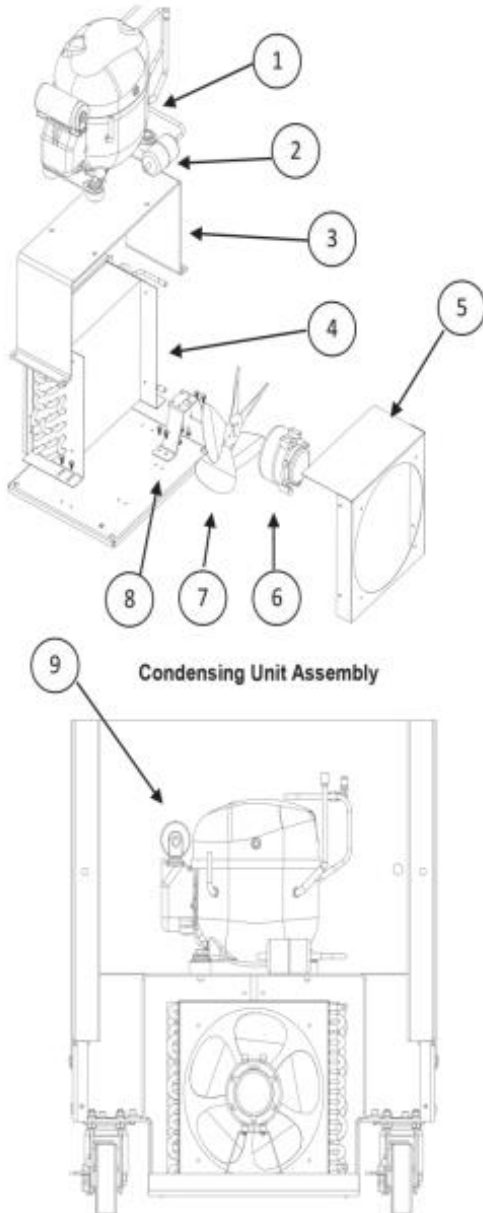


Top Back		
Item	HK#	Description
1	AUT292546	Drum motor kit
2	AUT294009	Accumulator motor kit
3*	AUT294693	Drive wheel kit
4	AUT293328	Encoder disk
5	AUT293876	Accumulator home sensor (encoder)
6	AUT213549	Screw, socket, flat-head, 1/4"-20X5/8"
7	AUT293155	Accumulator link
8	AUT293323	Accumulator link, push
9	AUT290635	Screw, shoulder 1/4" x 1/4", #10-24
10	AUT203259	Sleeve bearing, 1/4" ID x 5/8" OD x 1/4"
11	AUT293384	Accumulator extension spring

*Kit includes drive wheel shoulder screw, bearings and washers

FRY DISPENSER

200-FX (RAM200-FX + RAM200-FX-RH)



Refrigeration System Components

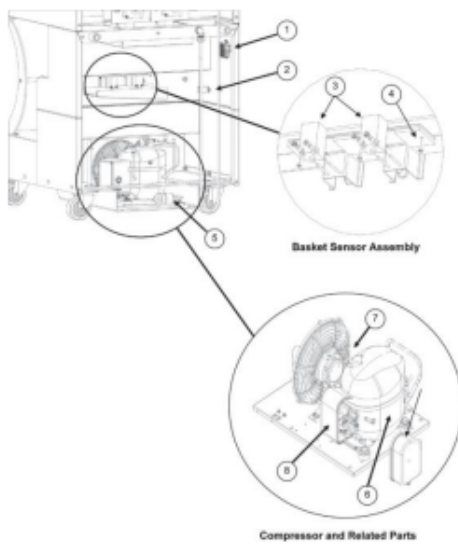
Item	HK#	Description	Qty.
1	AUT294339	Compressor domestic (120V ½HP)	1
	AUT294723	Compressor international (240V ½HP)	
2	AUT292501	Filter drier	1
3	AUT295782	Bracket, support compressor	1
4	AUT295596	Condenser	1
	AUT295707	Screw, sheet metal, #8x½"	
5	AUT295603	Fan shroud	1
6	AUT295773	Condenser fan motor (dom. 120V)	1
	AUT295608	Condenser fan motor (int. 240V)	
7	AUT295588	Screw, #8-28 x 7/16"	4
	AUT295601	Blade, condenser fan	
8	AUT293982	Bracket, fan mounting	1
	AUT295707	Screw, sheet metal, #8x½"	
9	AUT294739	Overload switch (½ hp dom. 120V)	1
	AUT294781	Overload switch (½ hp int. 240V)	
9	AUT294738	Start relay (½ hp dom. 120V)	1
	AUT294780	Start capacitor (½ HP dom. 120V)	
9	AUT293985	Start capacitor (½ HP int. 240V)	1
	AUT294779	Start capacitor (½ HP int. 240V)	
9	AUT296249	Capillary tube 79" (201cm) 0.093" O.D., 0.040" I.D. (dom. 120V 60HZ, ½ HP comp.)	1
	AUT296247	Capillary tube 110" (279cm) 0.093" O.D., 0.04" I.D. (int. 240V 50HZ, ½ HP comp.)	
9	AUT292740	Switch, high pressure	1

*Not shown

AUTOMATED EQUIPMENT (TAYLOR)

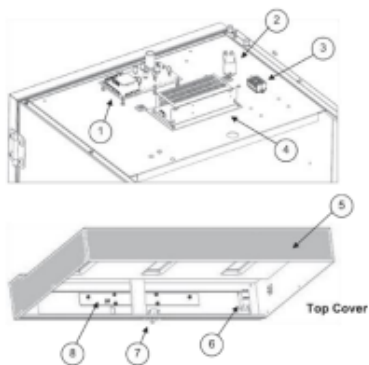


FRY DISPENSER 280F (RAM280-F)



Bottom Back		
Item	HK#	Description
1	AUT293404	Terminal block, lower
2	AUT293734	Relay, feedback
3	AUT293934	Basket sensor
4	AUT294593	Sensor window kit
5	AUT292501	Filter drier
6	AUT294339	Compressor (120V 60 HZ, 1/2 HP)
7	AUT295773	Condenser fan motor
8	AUT294740	Kit, compressor start components

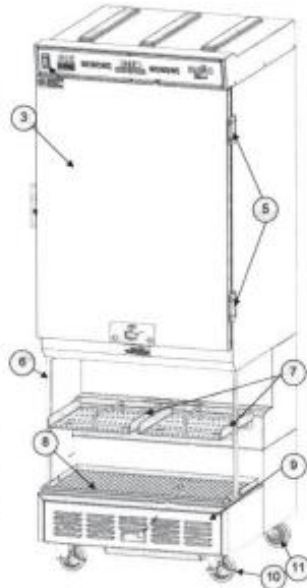
Top View



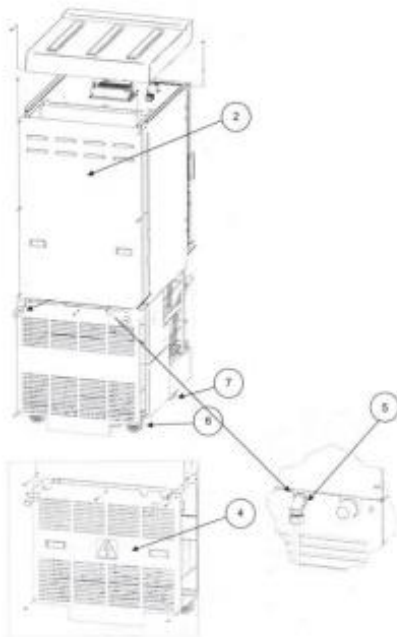
Top		
Item	HK#	Description
1	AUT293947	Controller PCB
	AUT294812	Processor PCB (mounts to controller)
2	AUT293405	Refrigeration relay
3	AUT293401	Terminal block, upper
4	AUT293510	Power supply
5	AUT293899	Top cover, black
6	AUT292246	On/off switch
	AUT294108	Harness, door switch
7	AUT294407	Door switch
	AUT294408	Harness, door switch
8	AUT293807	Display PCB
	AUT293902	Cable, display PCB (6 wire)

FRY DISPENSER

280F (RAM280-F)

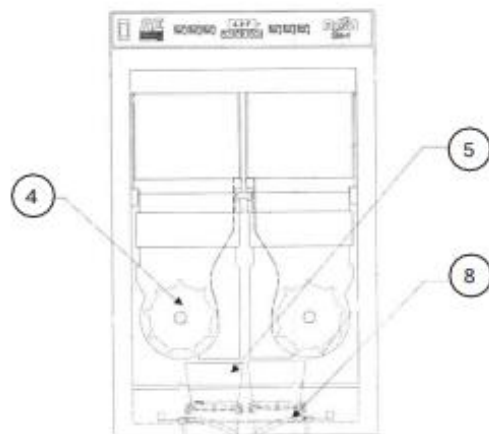


HK# AUT280F Dispenser		
Item	HK#	Description
3	AUT293189	Door gasket
5	AUT293706	Hinge, door
	AUT293855	Screw, Truss Head, Phillips, 3/8-16 x 1/2"
6	AUT293253	Support bar, cabinet
	AUT213571	Screw, Truss Head, slotted, 1/4-20 x 3/4"
7	AUT294147	Left basket tray
	AUT290687	Locator pin
	AUT290000	Screw, Truss Head slotted, 10-32 x 1/2"
	AUT294002	Right basket tray
8	AUT293590	Drip tray
	AUT294821	Extended drip tray, heavy duty
9	AUT293512	Filter, condenser
10	AUT216596	Caster, front locking
11	AUT216595	Caster, rear



HK# AUT280F Dispenser		
Item	HK#	Description
2	AUT294824	Screw, Truss Head, slotted, pelleted, 18-8 s/s, 19/32 x 3/8"
4	AUT294824	Screw, Truss Head, slotted, pelleted, 18-8 s/s, 19/32 x 3/8"
	AUT293399	Domestic U.S. power cord
	AUT216692	Strain relief with elbow
5	AUT213942	Nut, lock, 1/2" conduit
	AUT202586	Washer, flat, nylon 7/8" x 1/8" x 1/16"
6	AUT216595	Caster, non-lock (rear)
7	AUT216596	Caster, locking, (front)

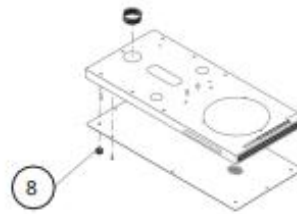
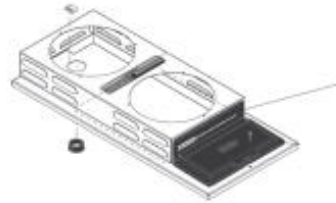
HK# AUT280F Dispenser		
Item	HK#	Description
4	AUT202366	Drum, high tolerance
	AUT294416	Housing, accumulator (superseded by 294416)
		(Units prior to SN 28FR0802B0249)
5	AUT294416	Housing, accumulator
		(Units after and including SN 28FR0802B00249)
8	AUT293376	Door, flap



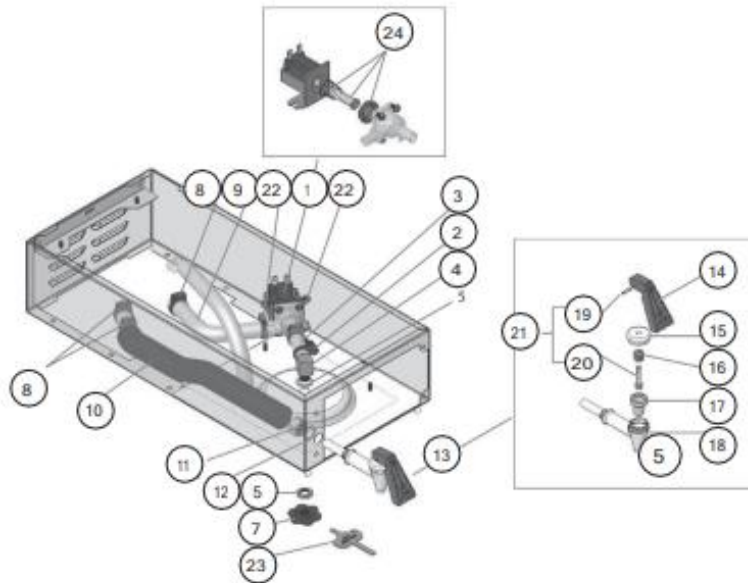


COFFEE BREWER

AXIOM-DV-3 (BUNSET00.0883)



Base		
Item	HK#	Description
8	BUN25137.0000	Foot

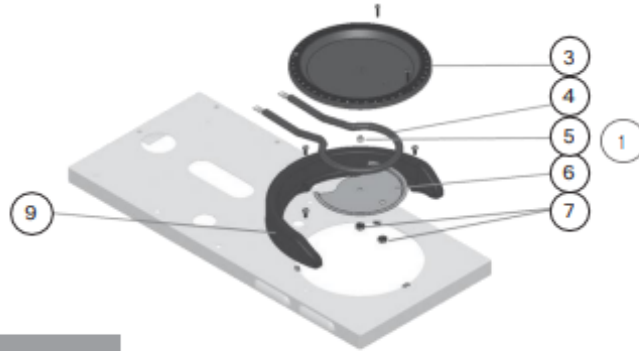


Base		
Item	HK#	Description
7	BUN40670.00005	Sprayhead, 7 Hole
8	BUN12422.0009	Clamp, SNP - 14
13	BUN29075.0000	Faucet assembly (includes items 14-21)
14	BUN02861.0003	Handle, red
15	BUN02854.0000	Bonnet
16	BUN02595.0000	Spring
17	BUN02766.0000	Cup
19	BUN02858.0000	Pin, spring
20	BUN13054.0000	Stem
21	BUN02594.0000	Faucet stem with pin (includes items 19-20)
23	BUN38227.0000	Sprayhead cleaning tool
24	BUN11517.0008	Repair kit, dispense valve (includes plunger, spring and diaphragm)



COFFEE BREWER

AXIOM-DV-3 (BUNSET00.0883)



Warmer & Coil Assemblies

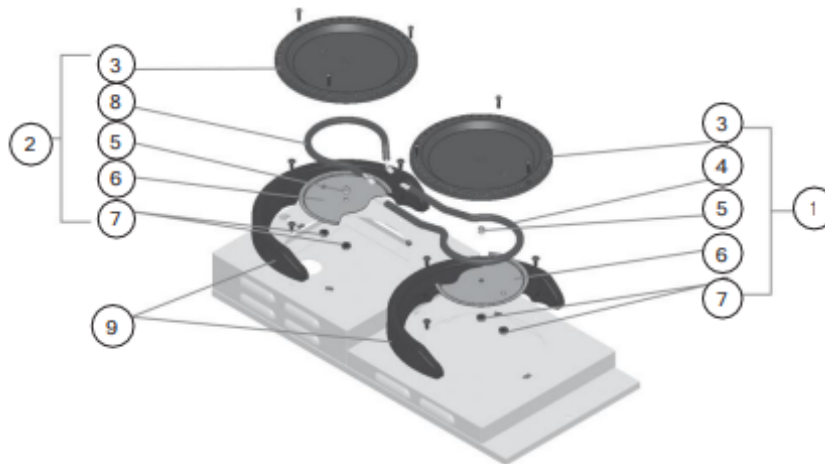
Item	HK#	Description
1	BUN11440.0005	Warmer assembly 120V (includes items 2-7)
	BUN01303.000	Screw, pan head - SST #4-40 x .5"
	BUN00916.0000	Fastener, J-Type #4-40
2	BUN03652.0000	Warmer assembly 120V, top & side warmers (includes items 1, 3-6)
	BUN01303.000	Screw, pan head - SST #4-40 x .5"
	BUN00916.0000	Fastener, J-Type #4-40
3	BUN03656.0000	Warmer dish, blk 45 hole
4	BUN11442.0000	Warmer element 120V long legs
5	BUN13042.0001	Spacer
6	BUN05212.0000	Plate, element retaining kit
7	BUN00970.0000	Nut, keps #8-32
8	BUN01227.0000	Warmer element 120V short legs
9	BUN42964.1000	Kit, coil assembly RFID
	BUN02328.0000	Screw, PNH Sltd 6-32 x .375"



HK# BUN33801.0003
Grommet, temp sensor



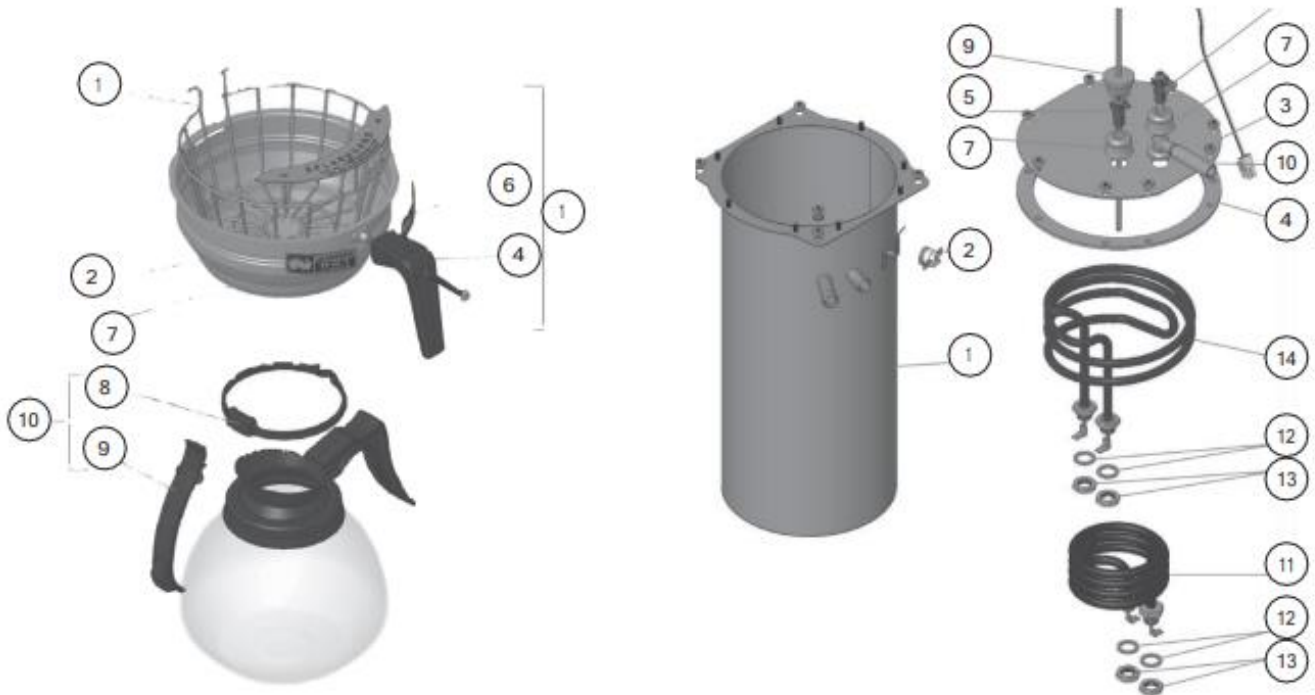
HK# BUN01031.0000
Tip kit, funnel





COFFEE BREWER

AXIOM-DV-3 (BUNSET00.0883)



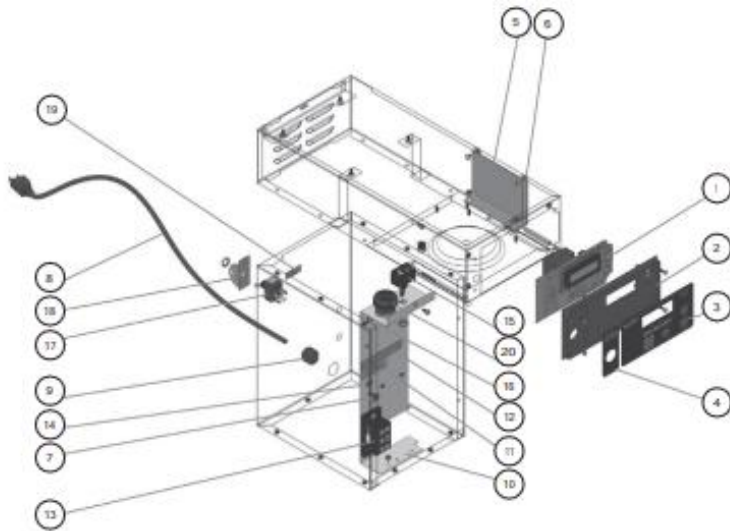
Funnel and Carafe		
Item	HK#	Description
1	BUN20216.0000	Funnel assembly, 7.12" SST black handle (Includes items 2-7)
	BUN20216.0001	Funnel assembly, 7.12" SST orange handle (Includes items 2-7)
3	BUN33088.0000	Filter basket, 7.12" SST
4	BUN20244.1000	Handle kit, black
	BUN20244.1001	Handle kit, orange
8	BUN42929.1000	Kit, strap
9	BUN42930.1000	Kit, RFID Holder
10	BUN42931.1000	Kit, RFID assembly, holder & strap

Tank and Components		
Item	HK#	Description
1	BUN33937.0004	Tank, DV (two heaters)
2	BUN29329.1000	Thermostat, limit
3	BUN28735.0002	Tank lid, 2-Probe
4	BUN04221.0000	Gasket, tank lid
5	BUN07412.1002	Probe kit, liquid level 1.25"
6	BUN07412.1003	Probe kit, brew logic 1.625"
8	BUN28891.1002	Probe temperature sensor 10.5"
11	BUN02755.1000	Tank heater 1425W, 120V (Includes item 12)
14	BUN29485.1001	Tank heater 2268W, 120V (DV only, includes item 12)



COFFEE BREWER

AXIOM-DV-3 (BUNSET00.0883)



Tank and Components

Item	HK#	Description
1	BUN42533.1005	PC board, control (120V) RoHS
2	BUN38842.0002	Face plate
3	BUN38876.0001	Switch, membrane - 3 warmers (right)
8	BUN01719.1000	Power cord, 120V
9	BUN01685.0000	Bushing, strain relief (120V 15A models only)
17	BUN40763.0001	Toggle switch, main on/off (includes nut)
18	BUN25102.000	Bracket, switch indicator/guard

ICED TEA DISPENSER

TDO-N (BUN39600.0084)



HK# BUN39600.0000, Iced Tea Dispenser

HK#	Description
BUN1011162	Self-closing faucet assembly, orange, for decaf iced coffee
BUN1020160	Self-closing faucet assembly, black, for regular iced coffee
BUN39626.0000	Drip tray
BUN39627.0000	Drip tray cover
BUN39624.0000	Replacement lid
BUN02712.1001	Edging, trim lock, black 44.25" L
BUN01221.0000	C-ring, faucet shank
BUN03093.0002	Nut, faucet, black, wing style
BUN00674.0000	Faucet cleaning brush

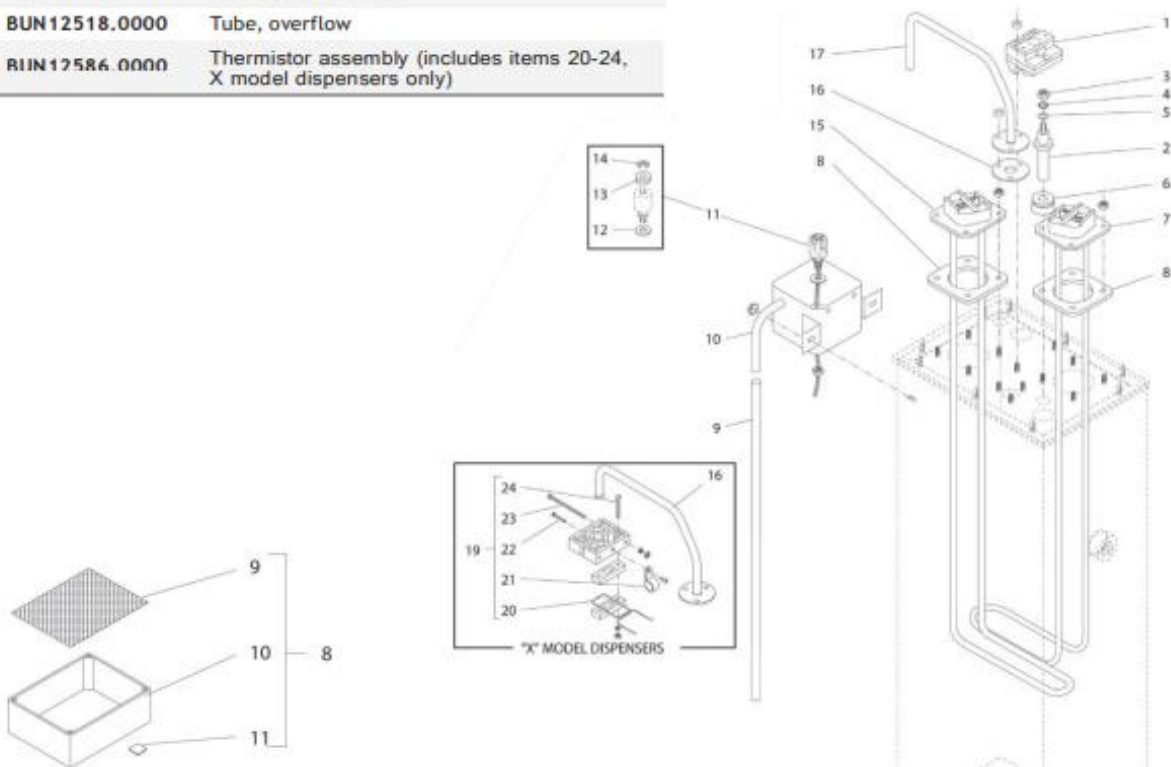




HOT WATER DISPENSER H5E-DVPC (BUN39100.0006)

Tank Heaters and Overflow Protection

Item	HK#	Description
2	BUN02645.1000	Probe kit, water level (includes items 3-5)
7	BUN12524.1000	Tank heater kit 1800W, 120V
11	BUN03803.0001	Switch assembly, liquid level 120V (includes items 12-14), without terminals
	BUN03803.002	Switch Assembly, liquid level 120V (Includes items 12-14), with terminals
	BUN00946.0000	Nut hex .125" FPT
15	BUN12322.1000	Tank heater kit 4000W 240V
	BUN00908.0000	Nut, hex #8-32
16	BUN05515.0000	Gasket, overflow tub
17	BUN12518.0000	Tube, overflow
19	BUN12586.0000	Thermistor assembly (includes items 20-24, X model dispensers only)



Drip Tray

Item	HK#	Description
8	BUN02497.0000	Drip tray assembly (includes items 9-11)
9	BUN02546.0000	Cover, drip tray
10	BUN02545.0000	Drip tray
11	BUN02547.0000	Foot, rubber

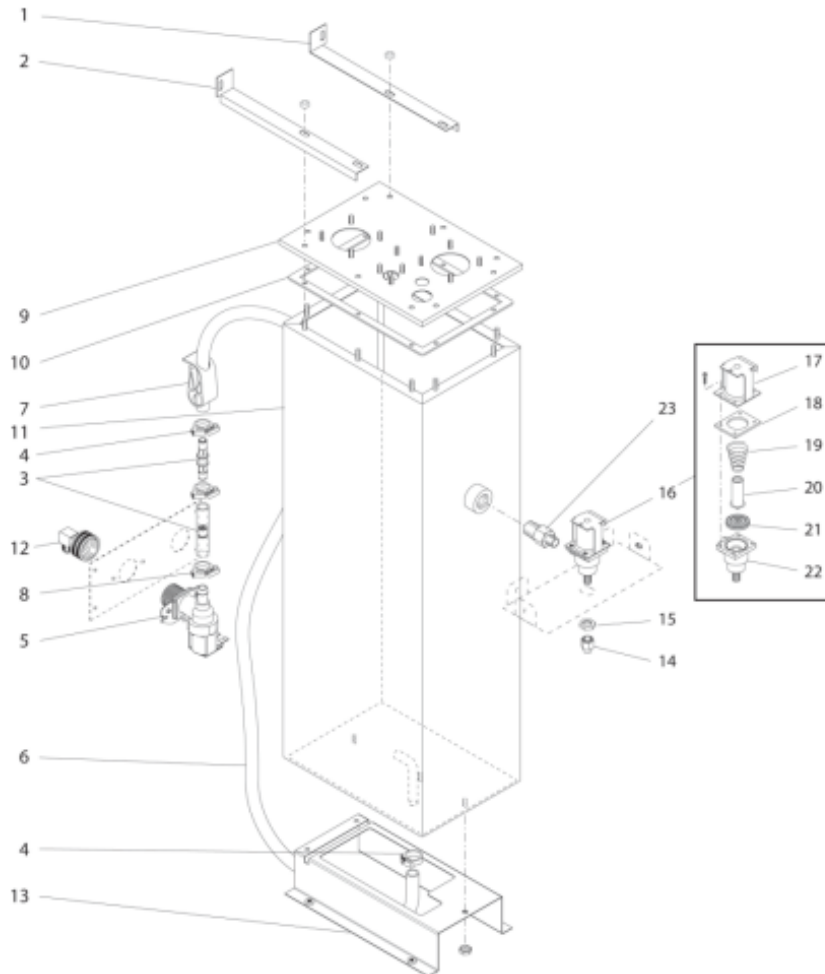


HOT WATER DISPENSER

H5E-DVPC (BUN39100.0006)



Tank, Fill Valve & Dispense Valve		
Item	HK#	Description
3	BUN41716.1004	Tube assembly with check valve .375" I.D. x 16"
	BUN36378.0001	Check valve
5	BUN40506.0016	Valve assembly, Inlet 120V
	BUN32283.0000	Screw, pan head M 4x6mm
9	BUN25922.0004	Lid, tank (DV)
	BUN00906.0000	Nut #6-32
10	BUN12377.0000	Gasket, tank lid
11	BUN25920.0010	Tank - flanged bottom
16	BUN26846.0000	Valve assembly
17	BUN22305.0000	Coil assembly, 120V
24	RIIN11517.0008	Repair kit, dispense valve (includes one each of spring plunger and diaphragm)



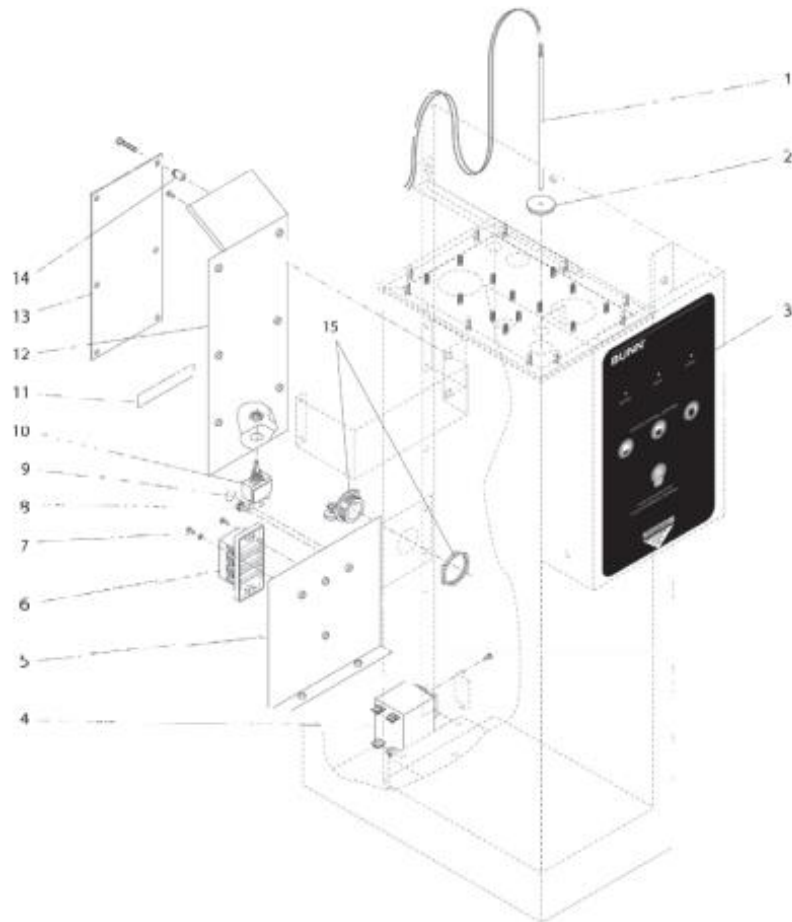


HOT WATER DISPENSER H5E-DVPC (BUN39100.0006)

Drip Tray

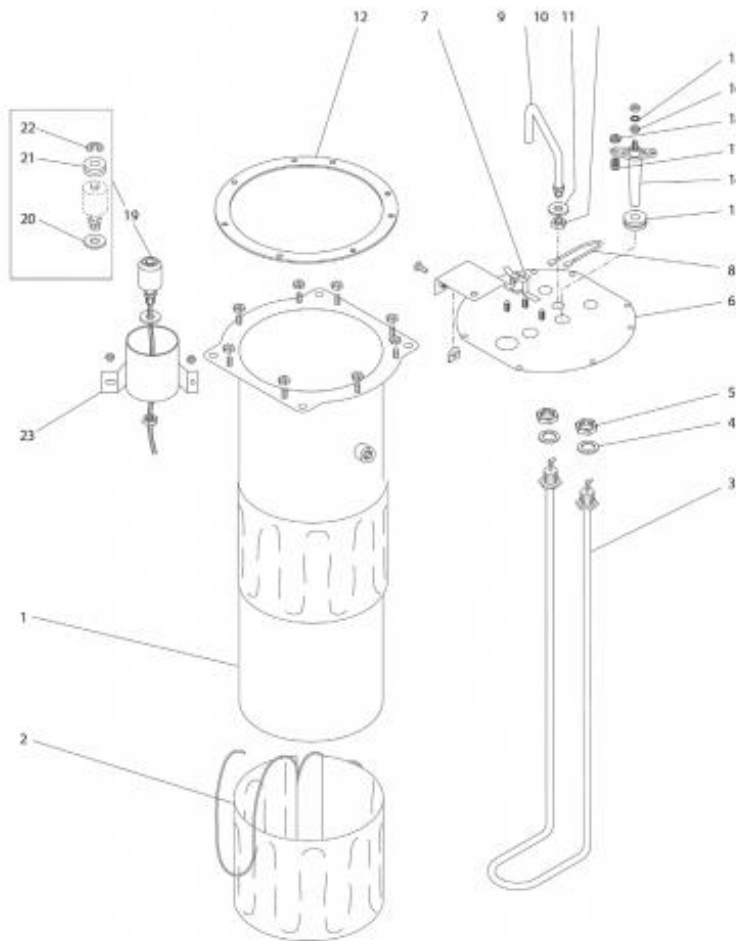
Item	HK#	Description
1	BUN12568.0007	Sensor, temperature
3	BUN39168.0000	Membrane switch
	BUN01503.0000	Washer, .25" ID
	BUN00970.0000	Nut, keps #8-32
4	BUN38894.0001	Switch, main power
10	BUN23522.1001	Switch, toggle (includes mounting nut)
13	BUN40697.1000	Control board, digital 120V & 240V
	BUN01388.0000	Screw, Truss Head #6-32 x .75
15	BUN01590.0000	Connector, cable .75" NPS DV
	BUN32833.1000	Strain relief 230V
21*	BUN01638.0000	Cord, power 12/3 SJO-NEMA 5-20P (Models with factory installed 20 A cord only)

*Not shown

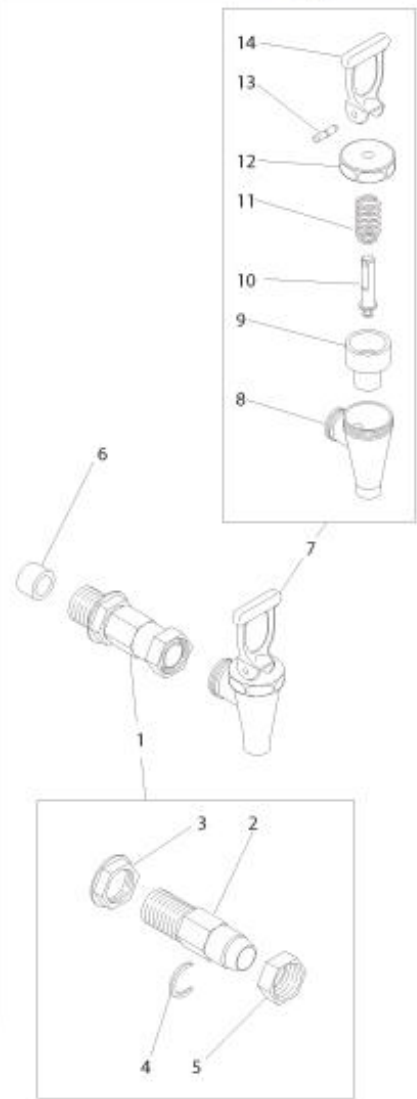


HOT WATER DISPENSER

HW2 (BUN02500.0016)



Tank Faucet		
Item	HK#	Description
1	BUN07061.0001	Shank assembly, faucet (includes items 2-5)
7	BUN07094.0000	Faucet assembly (includes items 8-14)



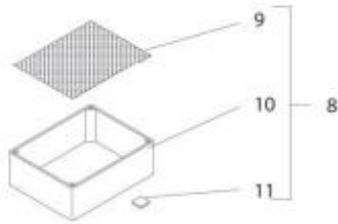
Tank and Components		
Item	HK#	Description
1	BUN02515.0007	Tank (standard)
2	BUN02575.0000	Blanket warmer, 120V (HW2 only)
3	BUN02534.1000	Tank heater kit, 120V 1700W (HW2. Includes item 4)
4	BUN00943.0000	Gasket
6	BUN02525.0001	Lid, tank
7	BUN29329.1000	Thermostat, limit
14	BUN07048.1000	Probe replacement kit (includes items 15-16)
19	BUN03803.0000	Switch assembly, level float (includes items 20-22)
23	BUN02520.0000	Cup, overflow





HOT WATER DISPENSER

HW2 (BUN02500.0016)

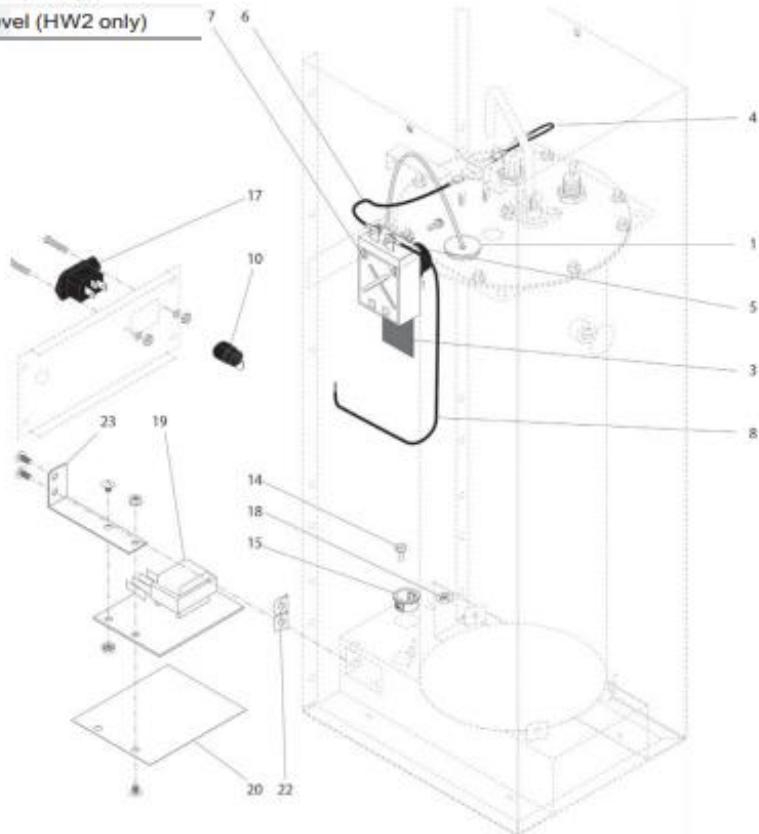


Drip Tray

Item	HK#	Description
8	BUN02497.0000	Drip tray assembly (includes items 9-11)
9	BUN02546.0000	Cover, drip tray
10	BUN02545.0000	Drip tray
11	BUN02547.0000	Foot, rubber

Electrical and Operating Controls

Item	HK#	Description
7	BUN02542.0000	Thermostat assembly (includes items 2-5)
	BUN02328.0003	Screw, mounting #6-32 x .312"
9	BUN01637.0000	Power cord (HW2 only, not illustrated)
10	BUN00707.0000	Bushing, strain relief (HW2 only)
19	BUN07074.1000	Control board, liquid level (HW2 only)



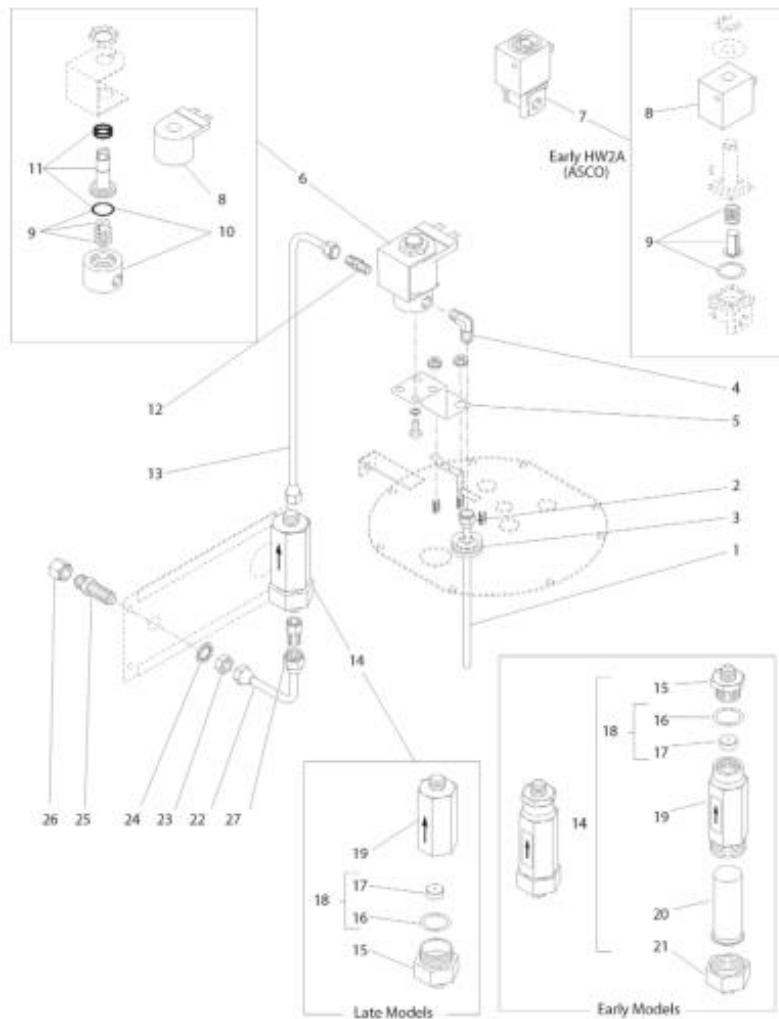
HOT WATER DISPENSER

HW2 (BUN02500.0016)



Strainer/Flow Control

Item	HK#	Description
6	BUN01085.0000	Solenoid, 120V 1.5" dia. coil (early HW2 only, includes items 8-11)
	BUN01085.0002	Solenoid, 120V 1" dia. coil (HW2 only, includes items 8-11)
8	BUN28480.0000	Coil 120V 1" dia. coil (Kip)
9	BUN01111.0000	Solenoid valve repair kit 120V & 240V, 1.5" dia. coil (Skinner)
	BUN0111.00002	Solenoid valve repair kit 120V & 240V, 1" dia. coil (Kip)
14	BUN22300.0750	Strainer/flow control assembly (.750 GPM, includes items 15-21, early models)
	BUN20528.1750	Flow control assembly (.750 GPM, includes items 15-19, late models)



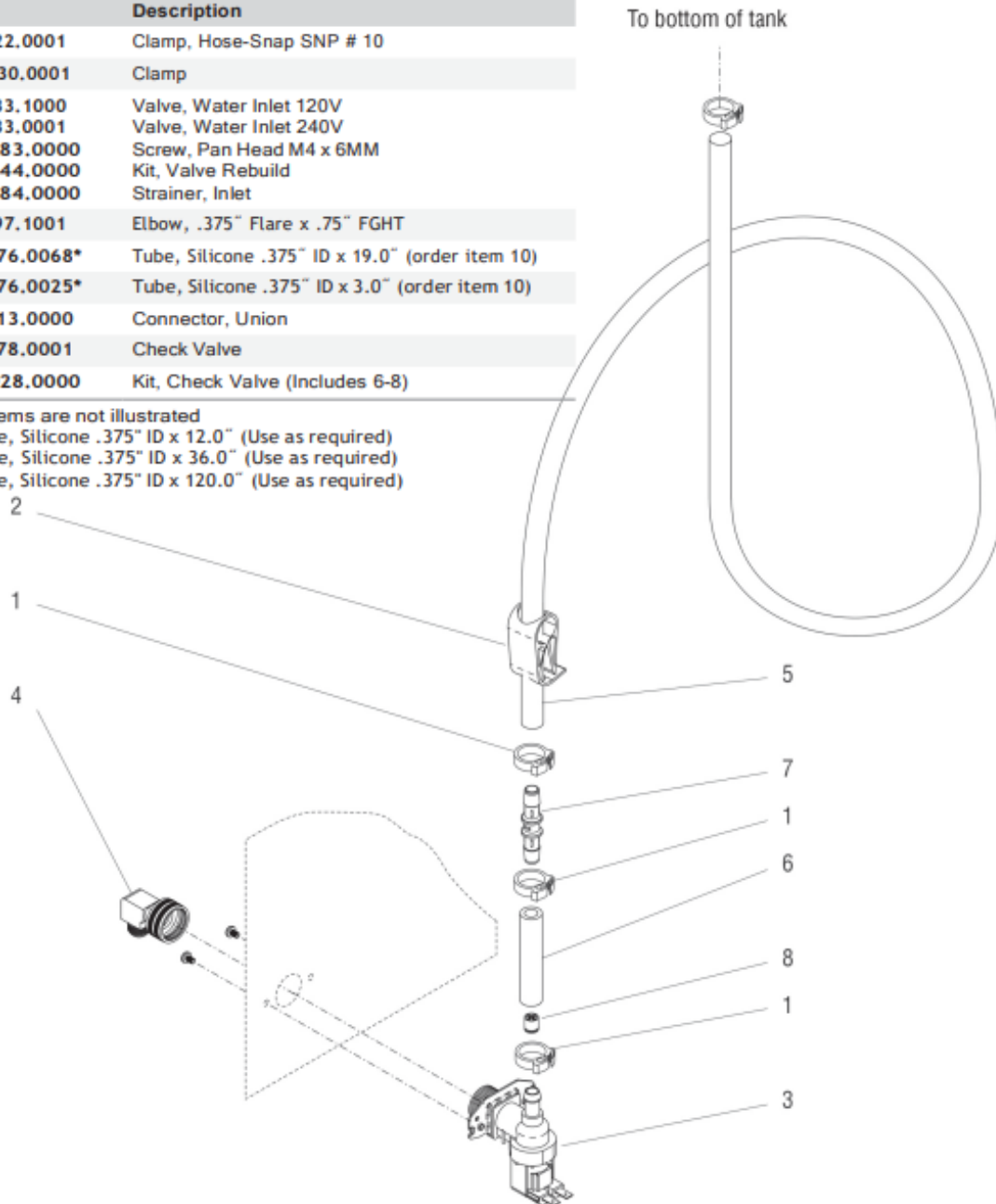
ICB SATELLITE COFFEE BREWER

BUN51100.0109



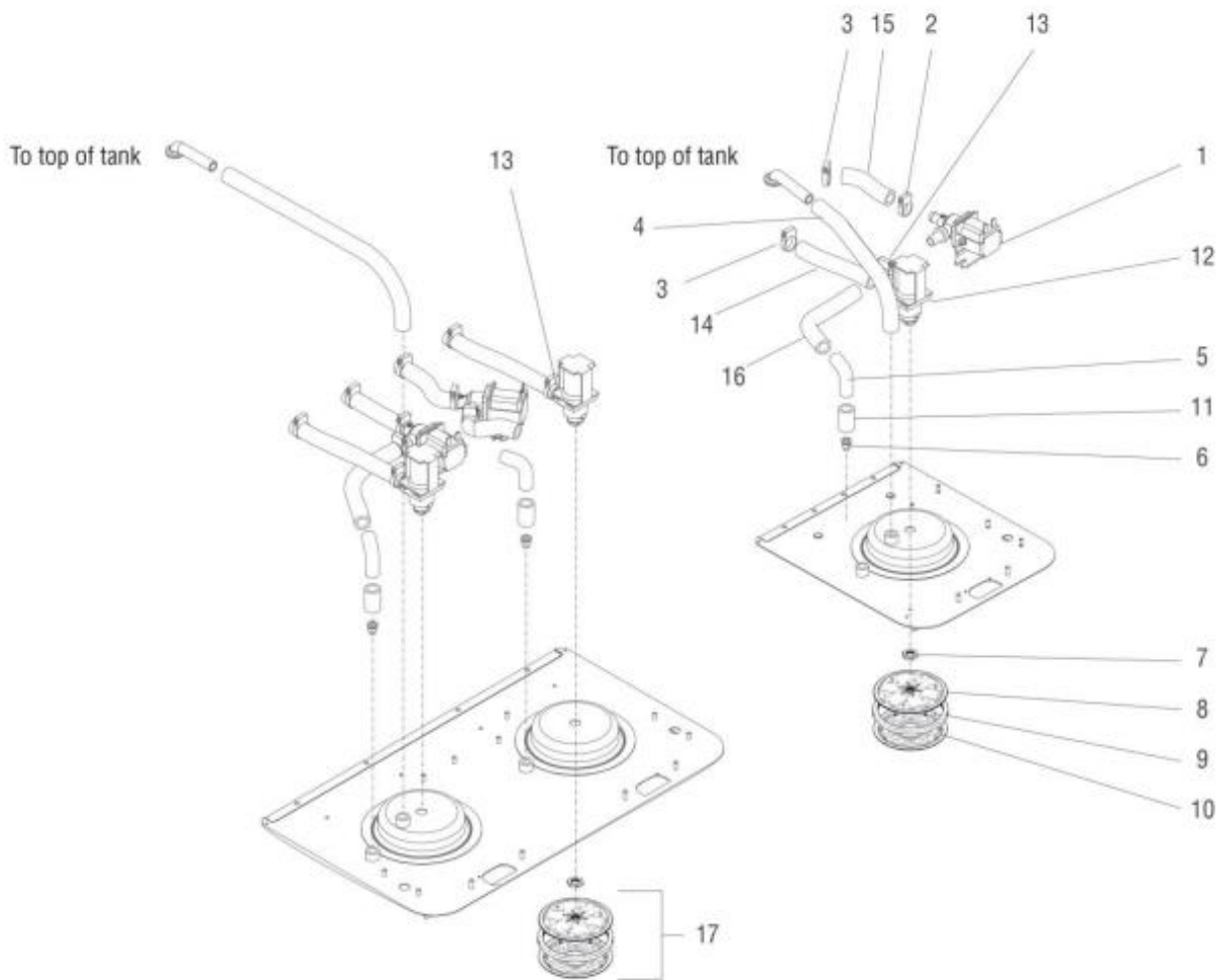
Tank Fill/Drain		
Item	HK#	Description
1	BUN12422.0001	Clamp, Hose-Snap SNP # 10
2	BUN11630.0001	Clamp
3	BUN36233.1000	Valve, Water Inlet 120V
	BUN36233.0001	Valve, Water Inlet 240V
	BUN32283.0000	Screw, Pan Head M4 x 6MM
3	BUN43644.0000	Kit, Valve Rebuild
	BUN46884.0000	Strainer, Inlet
4	BUN37297.1001	Elbow, .375" Flare x .75" FGHT
5	BUN20976.0068*	Tube, Silicone .375" ID x 19.0" (order item 10)
6	BUN20976.0025*	Tube, Silicone .375" ID x 3.0" (order item 10)
7	BUN45313.0000	Connector, Union
8	BUN36378.0001	Check Valve
9	BUN46028.0000	Kit, Check Valve (Includes 6-8)

The following items are not illustrated
 20976.1000 Tube, Silicone .375" ID x 12.0" (Use as required)
 20976.1001 Tube, Silicone .375" ID x 36.0" (Use as required)
 20976.1002 Tube, Silicone .375" ID x 120.0" (Use as required)



ICB SATELLITE COFFEE BREWER

BUN51100.0109





ICB SATELLITE COFFEE BREWER

BUN51100.0109



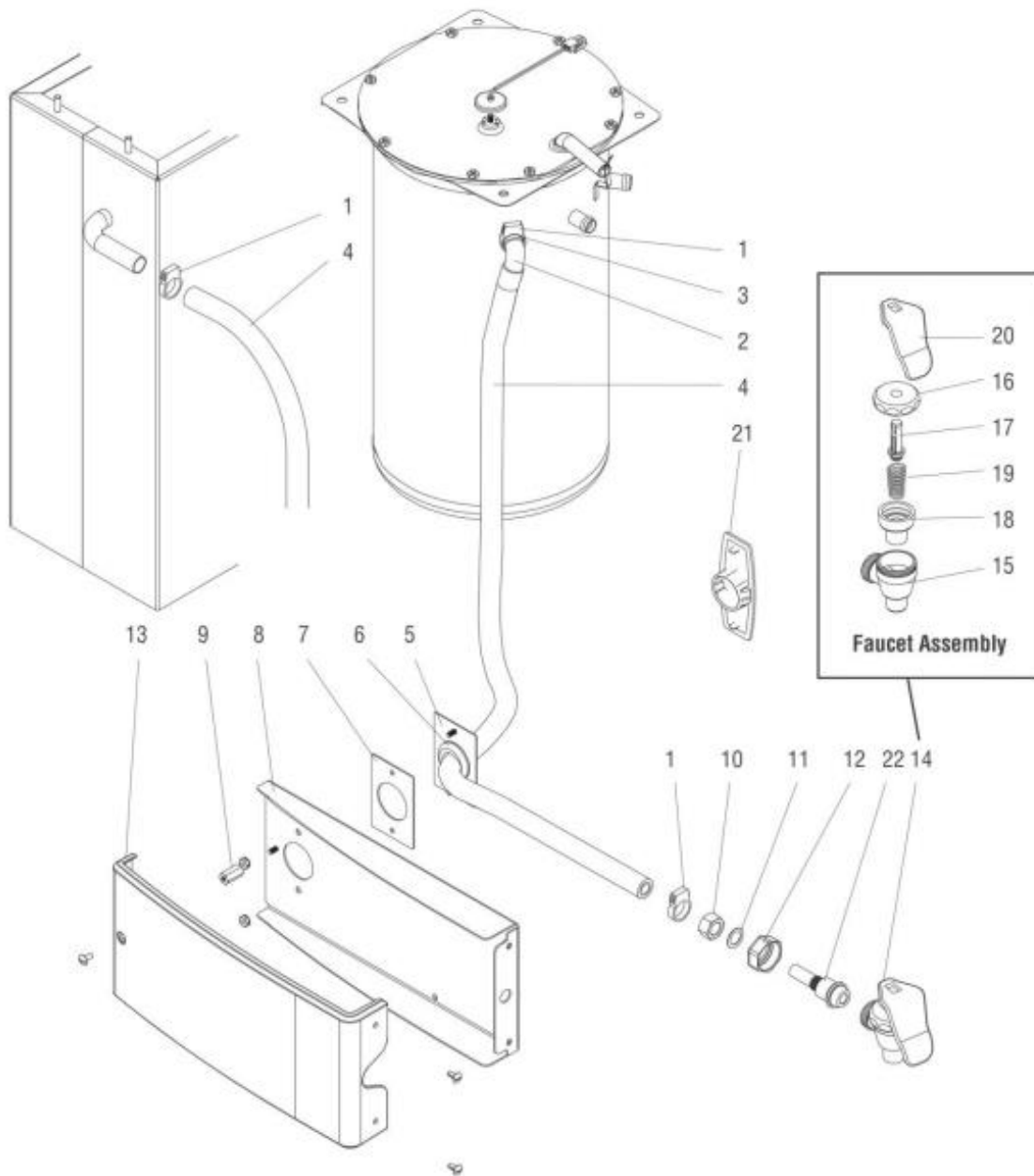
Dispense/Bypass Valves and Sprayhead		
Item	HK#	Description
1	BUN27370.0008	Valve, Bypass 120V
	BUN27370.0005	Valve, Bypass 240V
	BUN11517.0008	Repair Kit (Includes plunger, spring & diaphragm)
	BUN23255.0000	Diaphragm Only
	BUN22305.0001	Coil 120VAC
	BUN22305.0002	Coil 240VAC
	BUN23254.0000	Screw
	BUN23256.0000	Spacer Plate
	BUN00970.0000	Nut, KEPS #8-32
2	BUN12422.0005	Clamp, Hose-Snap SNP #12
3	BUN12422.0009	Clamp, Hose-Snap SNP #14
4	BUN32591.0007*	Tube .50" ID x 8.75" (Vent) <i>(Order Item 18)</i>
	BUN32591.0053*	Tube .50" ID x 9.75" (Vent)
5	BUN45928.0000	Elbow
6	BUN34801.0001	Fitting, By-Pass Restrictor
7	BUN01075.0000	Nut, Hex .438" -20
8	BUN52112.0003	Back, Sprayhead
9	BUN34868.0000	Seal
10	BUN43920.0005	Sprayhead, 17 hole
11	BUN32591.0003*	Tube .50" ID x 1.10" (Order item 18)
12	BUN26846.0000	Valve Assembly, Sprayhead 120V (Discontinued, use 56771.0000)
	BUN26846.0002	Valve Assembly, Sprayhead 240V (Discontinued, use 56771.0002)
	BUN11517.0008	Repair Kit (Includes plunger, spring & diaphragm)
	BUN23255.0000	Diaphragm Only
	BUN23254.0000	Screw
	BUN23256.0000	Spacer Plate
	BUN56771.0000	Valve Assembly, Sprayhead 120V
	BUN56771.0002	Valve Assembly, Sprayhead 240V
13	BUN56815.0000	Repair Kit (Includes plunger, spring & diaphragm)
	BUN56816.0000	Diaphragm Only
14	BUN22305.0001	Coil 120VAC (used in both styles)
	BUN22305.0002	Coil 240VAC (used in both styles)
15	BUN34956.0013	Fitting, .25 NPTF .55OD/.281ID
	BUN34956.0014	Fitting, .25 NPTF .55OD/.255ID
16	BUN32591.0044*	Tube .50" ID x 4.875" (Brew)
	BUN32591.0053*	Tube .50" ID x 6.75" (Brew)
17	BUN32591.0014*	Tube .50" ID x 3.6" (Tank to Bypass) (Left)
	BUN32591.0028*	Tube .50" ID x 5.75" (Tank to Bypass) (Right)
18	BUN32591.0014*	Tube .50" ID x 8.5" (Bypass to Elbow) Left
	BUN32591.0052*	Tube .50" ID x 4.0" (Bypass to Elbow) Right
	BUN32591.0013*	Tube .50" ID x 6.5" (Bypass to Elbow)
19	BUN40670.1222	Sprayhead Assy, 17 hole (Includes items 8 -10)

The following items are not illustrated
 BUN32591.1001 -- Tube .50" ID x 1 Foot (Use as required)
 BUN32591.1002 -- Tube .50" ID x 3 Feet (Use as required)
 BUN32591.1003 -- Tube .50" ID x 10 Feet (Use as required)
 BUN32591.1004 -- Tube .50" ID x 250 Feet (Use as required)



ICB SATELLITE COFFEE BREWER

BUN51100.0109





ICB SATELLITE COFFEE BREWER

BUN51100.0109



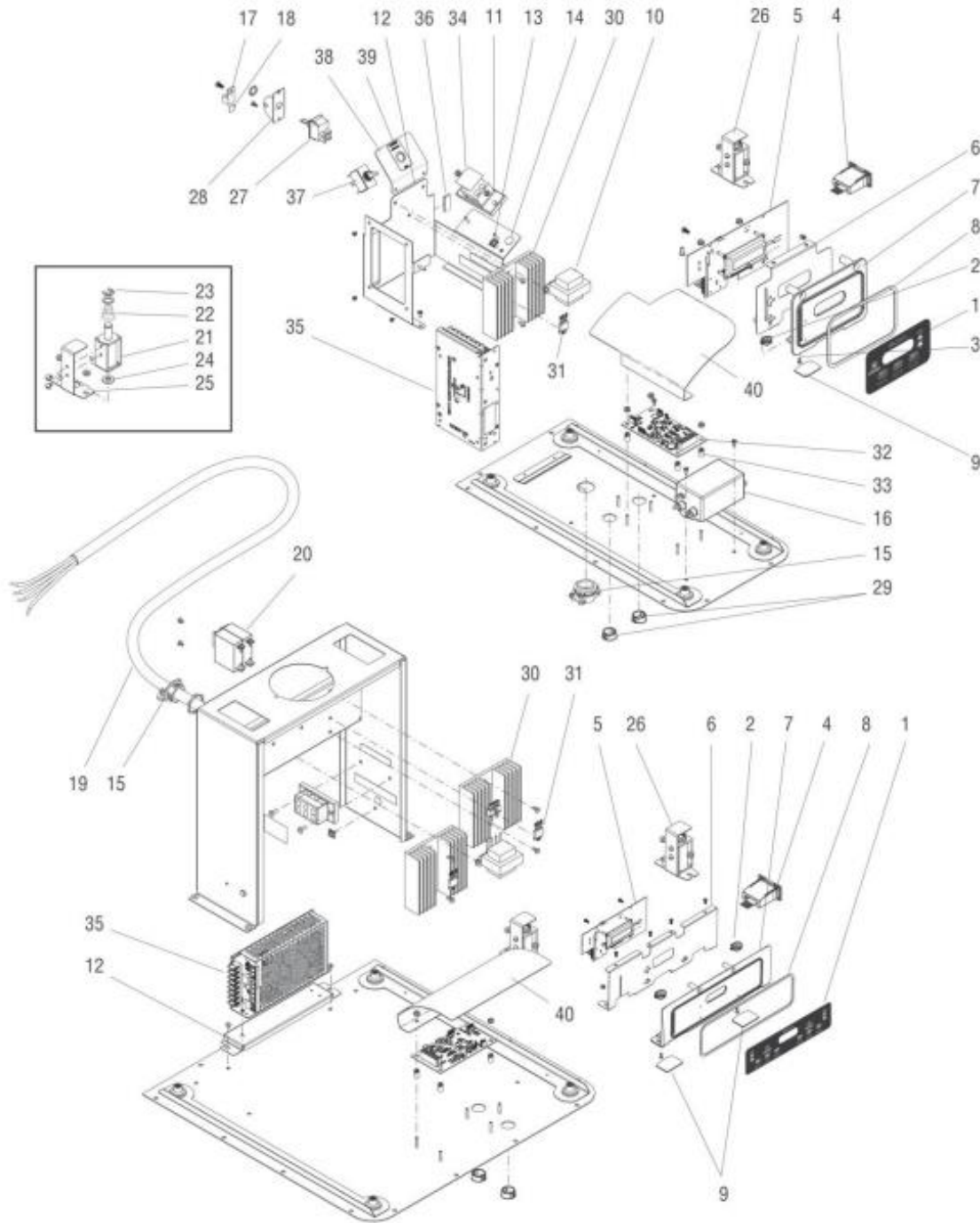
Faucet		
Item	HK#	Description
1	BUN12422.0005	Clamp, Hose-Snap SNP # 12
	BUN12422.0009	Clamp, Hose-Snap SNP # 14
2	BUN45928.0000	Elbow
3	BUN32591.0033*	Tube .50" ID x 1.80" (Order item 24)
4	BUN20976.0036*	Tube .38" ID x 36.0" Faucet (Order item 23)
	BUN32591.0042*	Tube .50" ID x 32.0" Faucet (Order item 24)
5	BUN52847.0001	Plate
6	BUN35332.0000	Grommet
7	BUN52847.0000	Spacer
8	BUN52842.0100	Bracket
	BUN00908.0000	Nut
	BUN01502.0000	Lockwasher
	BUN01315.0000	Screw
9	BUN00950.0000	Spacer
10	BUN29264.0000	Nut
11	BUN01544.0000	Washer, .50" ID x .75" OD
12	BUN01268.0000	Nut
13	BUN52879.0001	Cover
	BUN01317.0005	Screw
14	BUN03260.1026	Faucet Assy (Includes items 15 - 20)
15	BUN35758.0002	Body
16	BUN29165.0002	Bonnet
17	BUN29164.0000	Stem
18	BUN00600.0000	Seat Cup
19	BUN00601.0000	Spring
20	BUN45946.0001	Handle, Red
21	BUN52945.0000	Badge
22	BUN46390.0001	Shank, Faucet

The following items are not illustrated
 BUN20976.1000 Tube, Silicone .375" ID x 12.0" (Use as required)
 BUN20976.1001 Tube, Silicone .375" ID x 36.0" (Use as required)
 BUN20976.1002 Tube, Silicone .375" ID x 120.0" (Use as required)
 BUN32591.1001 Tube .50" ID x 1 Foot (Use as required)
 BUN32591.1002 Tube .50" ID x 3 Feet (Use as required)
 BUN32591.1003 Tube .50" ID x 10 Feet (Use as required)
 BUN32591.1004 Tube .50" ID x 250 Feet (Use as required)
 BUN51315.1004 Faucet Repair Kit (Includes 17-20)



ICB SATELLITE COFFEE BREWER

BUN51100.0109





ICB SATELLITE COFFEE BREWER

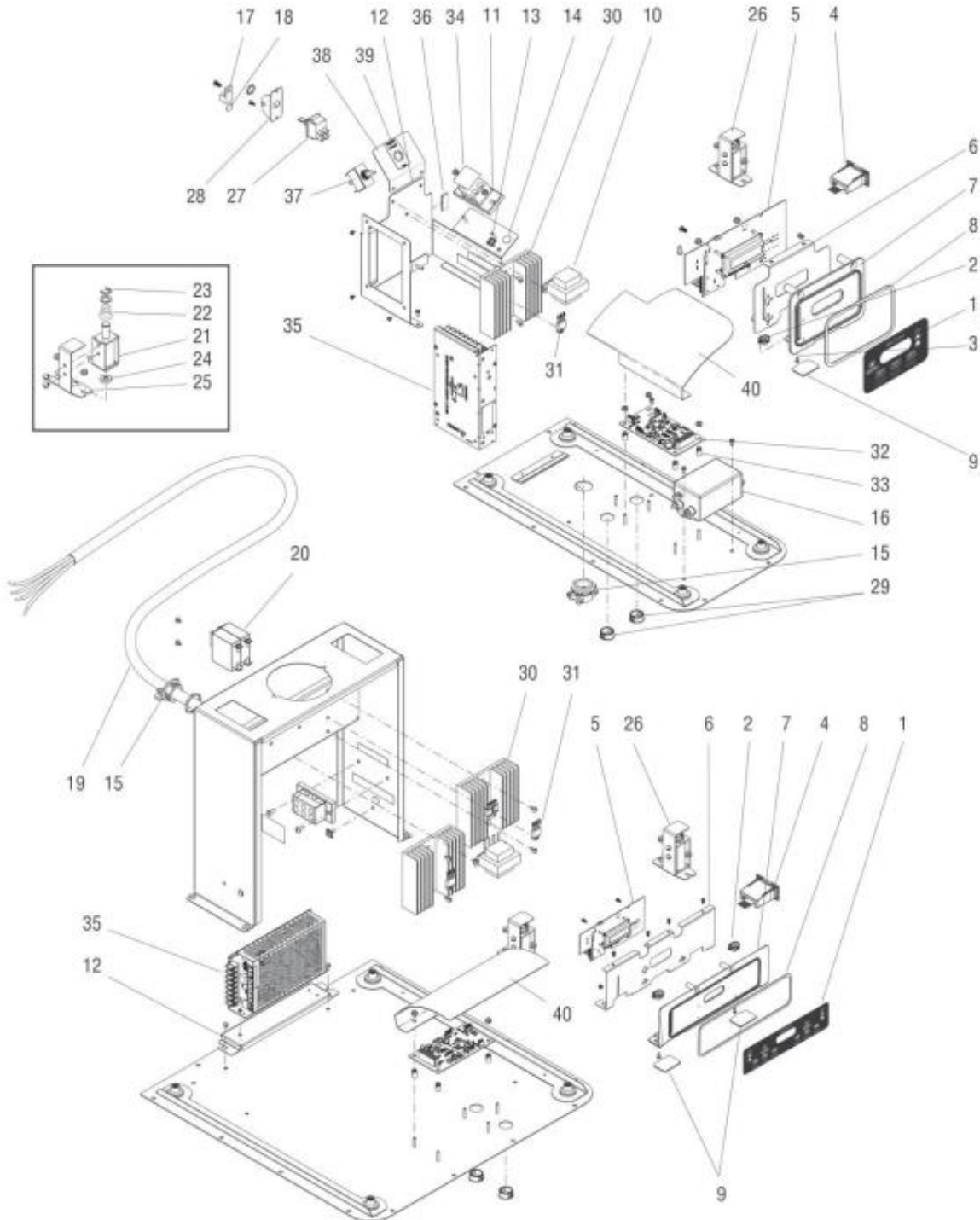
BUN51100.0109

Electrical and Operating Controls		
Item	HK#	Description
1	BUN52904.0001	Membrane Switch
	BUN52941.0003	Membrane Switch
2	BUN32572.1000	Sensing Coil
3	BUN35956.0000	Fastener
4	BUN48455.0001	USB Receptacle
5	BUN52887.1000	Control Board 120V
	BUN53833.1000	Control Board 230V
	BUN02308.0000	Screw, Pan Head #8-32 x .375"
6	BUN51337.0002	Bracket
	BUN51337.0003	Bracket
	BUN00971.0000	Nut, Keps #10-32
	BUN02308.0000	Screw, Pan Head #8-32 x .375"
7	BUN52864.0000	Bezel
	BUN52938.0000	Bezel
8	BUN53344.0001	Seal
	BUN53344.0000	Seal
9	BUN52947.0001	Seal
10	BUN34307.1001	Transformer 120V
	BUN34307.1002	Transformer 230V
	BUN01308.0002	Screw SST #6-32 x .25"
	BUN01382.0003	Screw SST #6-32 x.375" (For use with DV bracket)
11	BUN07038.0000	Terminal Block 120V
	BUN01106.0003	Terminal Block 230V
	BUN01317.0000	Screw, Truss Head #8-32 x .50"
12	BUN51505.0002	Bracket
	BUN53378.0001	Bracket
	BUN01308.0002	Screw SST #6-32 x .25"
	BUN02328.0004	Screw, Truss Head #6-32 x .375"
13	BUN37804.0000	Screw, Grounding #8-32 x .50"
14	BUN00824.0002	Decal, Ground
15	BUN01590.0000	Cord Connector 120V
	BUN05746.0000	Cord Connector 230V
16	BUN50159.0000	EMI Filter (230V CE models only)
	BUN02328.0004	Screw, Truss Head #6-32 x .375"
17	BUN27705.0000	Terminal Lug (230V CE models only)
	BUN02308.0000	Screw, Pan Head #8-32 x .375"
18	BUN00824.0001	Decal, Equipotentiality (CE Only)



ICB SATELLITE COFFEE BREWER

BUN51100.0109





ICB SATELLITE COFFEE BREWER

BUN51100.0109

Electrical and Operating Controls		
Item	HK#	Description
19	BUN32657.0001	Power Cord 120V
	BUN42749.0033	Power Cord 230V
20	BUN38894.0001	Switch, Rocker - Main On/Off
	BUN01308.0003	Screw, Truss Head #6-32 x .25"
21	BUN35955.0000	Coil, Solenoid 120V
	BUN35955.0001	Coil, Solenoid 200V
	BUN33613.0000	Screw, Truss Head #8-32 x .25"
	BUN01519.0000	Lockwasher, Split #8
22	BUN39982.0000	Spring
23	BUN39981.0000	Retaining Ring
24	BUN35953.0000	Guide, Pin
25	BUN38280.0001	Bracket
26	BUN35952.1006	Solenoid Assembly 120V (Includes 21-25)
	BUN35952.0007	Solenoid Assembly 230V (Includes 21-25)
	BUN00970.0000	Nut, Keps #8-32
27	BUN40763.0002	Switch, Toggle 120V
	BUN28004.0000	Switch, Toggle 230V
	BUN23696.0000	Facenut
28	BUN25102.0001	Bracket, Switch "I/O"
	BUN28098.0000	Fastener, Snap
29	BUN00669.0006	Plug (Early Models)
	BUN53456.0000	Plug (Late Models)
30	BUN20541.0001	Heatsink
	BUN01382.0007	Screw, 6-32 x .375
31	BUN12565.0053	Triac 120V
	BUN12565.0048	Triac 230V
	BUN02328.0003	Screw, 6-32 x .312"
	BUN01520.0000	Lock Washer
	BUNM2522.1000	Heat Sink Compound, 5oz Tube
32	BUN52913.1000	Circuit Board, Comm
	BUN53390.1000	CBA, Comm Wireless PLC
	BUN00973.0001	Nut
33	BUN29081.0000	Spacer
34	BUN10367.0001	Decal, Terminal Block 120V
	BUN10608.0003	Decal, Terminal Block 230V
35	BUN33363.0008	24VDC 3.12A 75W Power Supply 120V Single Phase
	BUN33363.0007	24VDC 6.25A 150W Power Supply 230V Single Phase
	BUN24003.0201	Screw
36	BUN02434.0010*	Gasket, U-channel, 1.0" (Order item 46)



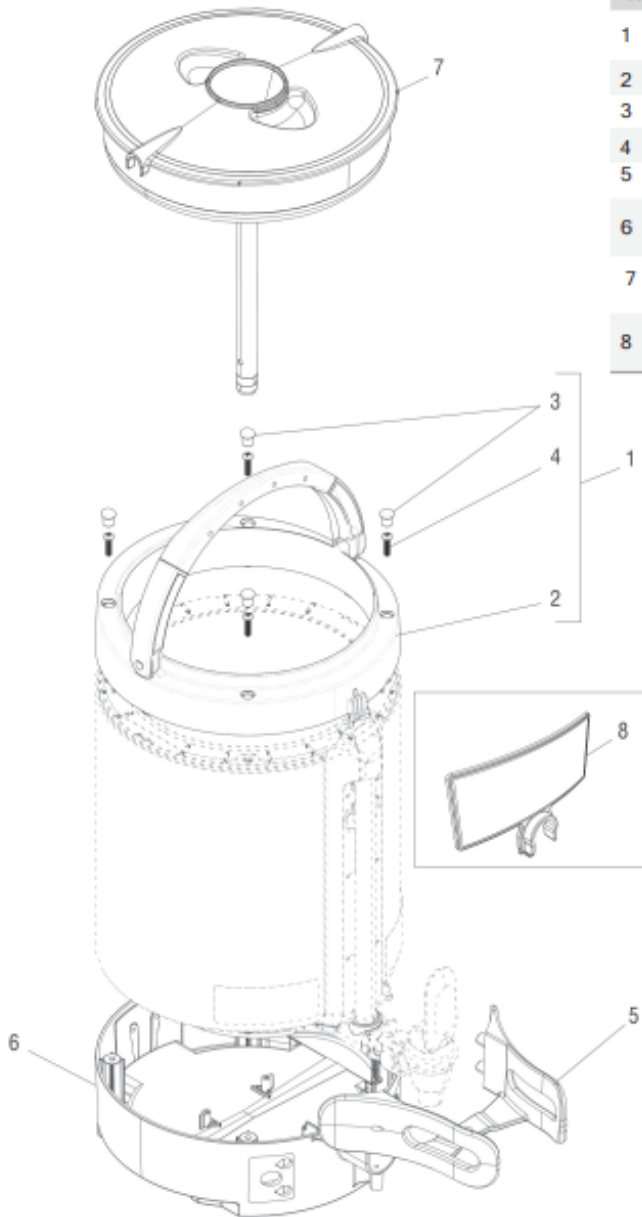
ICB SATELLITE DISPENSER

BUN27850.0214



Covers, Handles, and Guard

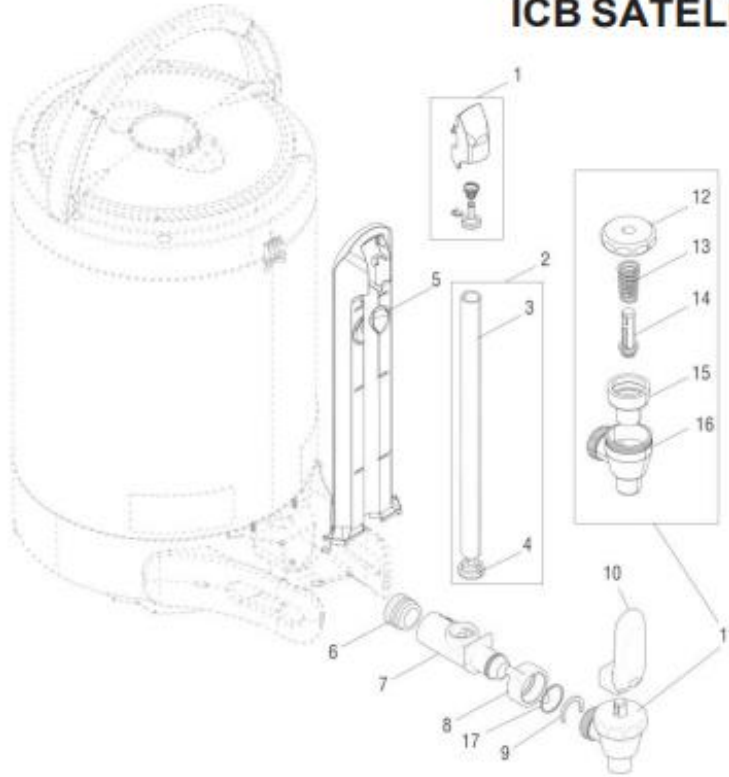
Item	HK#	Description
1	BUN51203.1029	Assy, Top Cover and Handle SH Server (Includes items 2,3,and 4)
2		Top Cover and Handle SH Server
3	BUN53075.1000	Screw Plug Set, SH Server
4	BUN46784.0000	Screw, PNH PHH SST M4X16
5	BUN52051.0008	Guard, Faucet SH Server
6	BUN51309.0023 BUN53432.0003	Base, 1.5 Gallon SH Server Base, 1.0 Galon SH Server
7	BUN53031.0002 BUN53031.0003	Lid Assy, 1.5 Gallon SH Server Lid Assy, 1.0 Gallon SH Server
8	BUN53683.0000	Optional Accessory Holder, Sign SH Server INF Series





ICB SATELLITE DISPENSER

BUN27850.0214



Faucet and Sight Gauge

Item	HK#	Description
1	BUN52391.1010	Assy, sight gauge lever w/spring
2	BUN51319.1000	Sight gauge seal with tube
3	BUN54531.0002	Tube, sight gauge
4	BUN51319.0010	Seal, lower sight gauge
5	BUN51312.0027	Shroud, sight tube sh server
6	BUN52914.0003	Seal, shank sh server
7	BUN52095.1010	Assy, faucet shank w/probe sh server
8	BUN03093.0002	Wing nut, faucet (black)
9	BUN01221.0002	C-ring, faucet shank
10	BUN51315.0001	Handle, faucet 3.0 Short
	BUN51315.0003	Handle, faucet 3.0 Short (orange)
	BUN51315.0200	Handle, faucet 3.0 Short (non-locking)
11	BUN03260.0038	Faucet assy, plastic notched sh server
12	BUN29165.0002	Faucet bonnet, blk 1-3/8-18
13	BUN00601.0000	Spring, faucet
14	BUN29164.0000	Stem, faucet black plastic
15	BUN00600.0000	Seat cup, faucet silicone
16	BUN41346.0001	Faucet body, notched black (order # 11)
17	BUN45415.0000	Washer

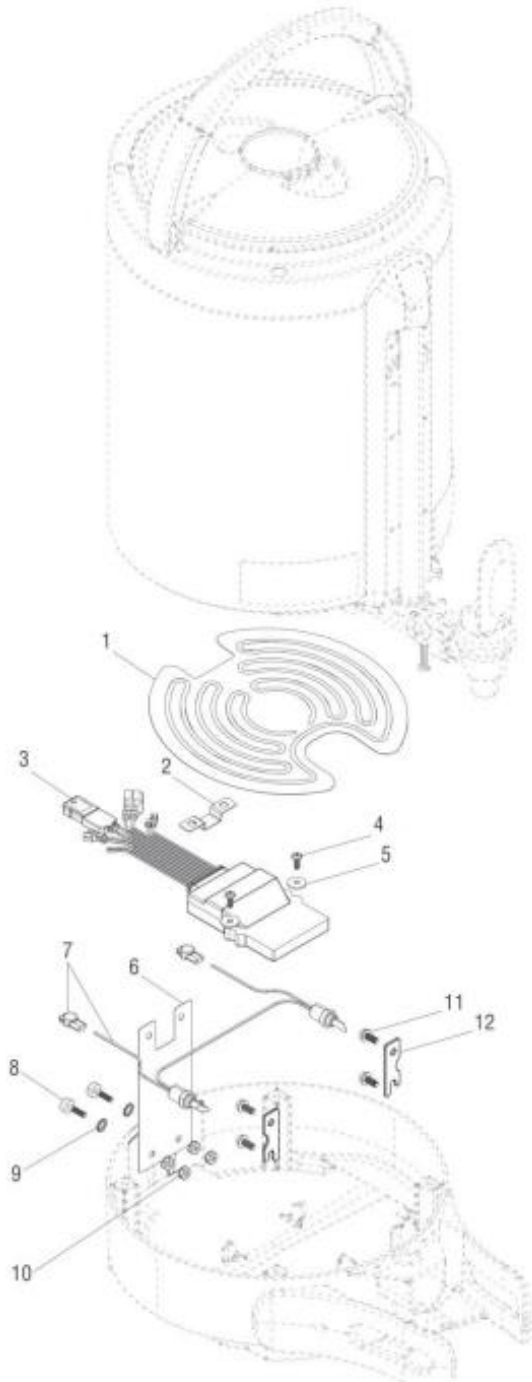
Items not illustrated:

BUN41183.0003 - Kit, Black Faucet Repair (Includes 8,9,11,17)



ICB SATELLITE DISPENSER

BUN27850.0214



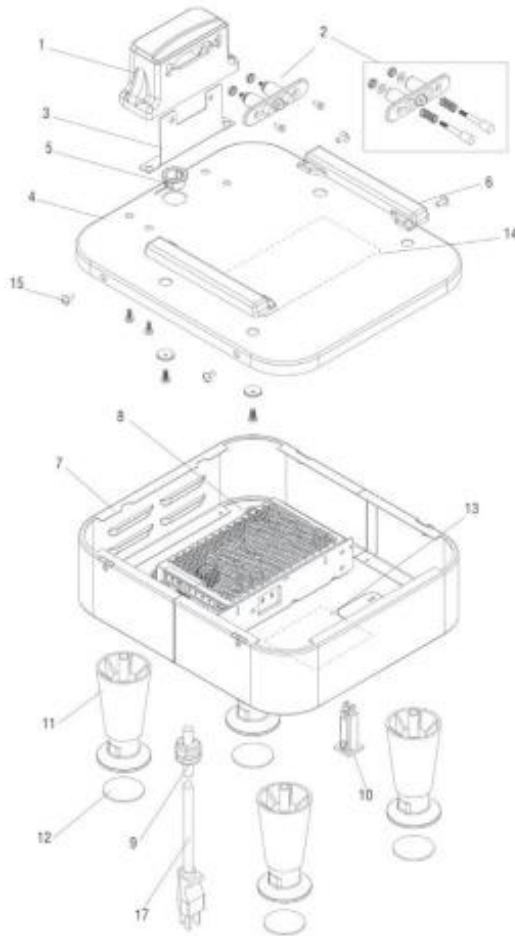
Electrical Components

Item	HK#	Description
1	BUN52218.0006	Blanket heater, 72w 24v dc
2	BUN52946.0000	Bracket, temp sensor strap sh server
3	BUN51709.1010	Cba, overmolded soft heat
4	BUN44646.0002	Screw, pnh phh #6-19x.375 Lg-thd forming
5	BUN21129.0000	Washer, flat-.153idx.50 Od sst
6	BUN53453.0001	Strap, tether sh server
7	BUN53056.1000	Harness, led light assembly sh svr blue
8	BUN27749.0000	Terminal, contact pad
9	BUN01511.0000	Lock washer, ext t #8 zinc pl
10	BUN00973.0001	Nut, keps 6-32 sst passivate
11	BUN02340.0001	Screw, hex 8-32 x .38 Sst
12	BUN53030.0001	Plate, faucet guard backer

ICB SATELLITE SINGLE WARMING STAND



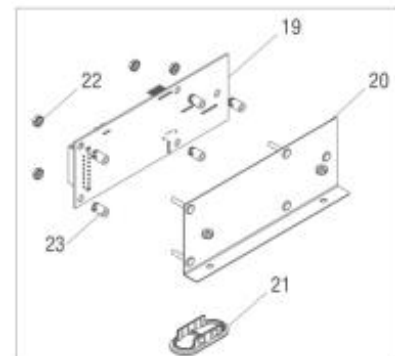
BUN27825.0200



Warming Stand		
Item	HK#	Description
1	BUN52019.0000	Contact box, server stand
2	BUN53450.1000	Receptacle assy, spring contact
3	BUN52018.0000	Wldmt, server contact riser
4	BUN53279.0000	Platform wldmt, server stand single
5	BUN01663.0000	Bushing, snap (.875" Dia. Hole)
6	BUN51506.0000	Guide, server infusion 3.0
7	BUN53277.0000	Wldmt, server stand base single
8	BUN33363.0006 BUN33363.0007	Power supply, 24vdc 6.5a 150w 1 phase (120v) Power supply, 24vdc 6.5a 150w 1 phase (220v-240v)
9	BUN01686.0000	Bushing, strain relief
10	BUN27181.0001	Circuit breaker, reset-4amp (120v stand only)
11	BUN40041.0000	Leg
12	BUN40042.0000	Pad, anti skid
13	BUN00986.0000	Decal, warning - electrical
14	BUN53322.0000	Schematic, electrical (120v)
15	BUN53433.0000	Screw, hex #6-19x.375 Lg-thd forming
17	BUN20630.0023 BUN38074.0034	Cord Assy, Power 18/3 5-15P SH Stand Cord Assy, Power 16A/250V SH Stand

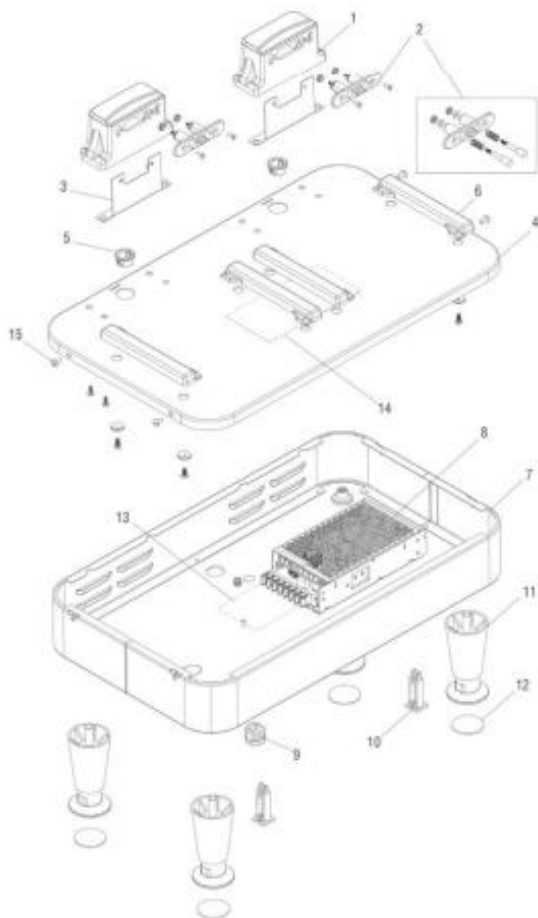
Optional Accessories

- 18 BUN53452.0001 Kit, Drip Tray Single Sh
 - BLE Communications Kit for 1-SH Stand 53872.0000
(includes items 19 thru 23)
 - 19 BUN53390.1002 Circuit Board, BLE Comm
 - 20 BUN53404.0000 Bracket
 - 21 BUN53456.0000 Plug, Base
 - 22 BUN00973.0000 Nut, Keps 6-32
 - 23 2BUN9081.0000 Spacer, CBA Mounting
- Note: The following part(s) are not illustrated
BUN53284.0001 Wiring Harness, Wireless Comm 1-SH Stand



ICB SATELLITE WARMING STAND

BUN27875.0200



Warming Stand

Item	HK#	Description
1	BUN52019.0000	Contact box, server stand
2	BUN53450.1000	Receptacle assy, spring contact
3	BUN52018.0000	Wldmt, server contact riser
4	BUN52012.0000	Wldmt, Server Stand Base
5	BUN01663.0000	Bushing, snap (.875" Dia. Hole)
6	BUN51506.0000	Guide, server infusion 3.0
7	BUN52014.0000	Platform Wldmt, Server Stand
8	BUN33363.0006 BUN33363.0007	Power supply, 24vdc 6.5a 150w 1 phase (120v) Power supply, 24vdc 6.5a 150w 1 phase (220v-240v)
9	BUN01686.0000	Bushing, strain relief
10	BUN27181.0001	Circuit breaker, reset-4amp (120v stand only)
11	BUN40041.0000	Leg
12	BUN40042.0000	Pad, anti skid
13	BUN00986.0000	Decal, warning - electrical
14	BUN53322.0000	Schematic, electrical (120v)
15	BUN53433.0000	Screw, hex #6-19x.375 Lg-thd forming
17	BUN20630.0023	Cord Assy, Power 18/3 5-15P SH Stand

Optional Accessories

18 BUN53452.0000 Kit, Drip Tray Twin Sh

BLE Communications Kit for 2-SH Stand BUN53872.0001
(includes items 19 thru 23)

19 BUN53390.1002 Circuit Board, BLE Comm

20 BUN53404.0000 Bracket

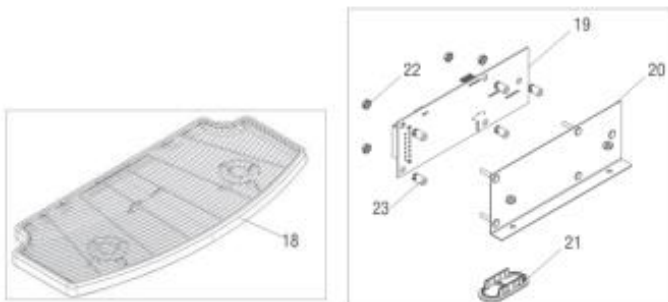
21 BUN53456.0000 Plug, Base

22 BUN00973.0000 Nut, Keps 6-32

23 BUN29081.0000 Spacer, CBA Mounting

Note: The following part(s) are not illustrated

BUN53284.0002 Wiring Harness, Wireless Comm 2-SH Stand



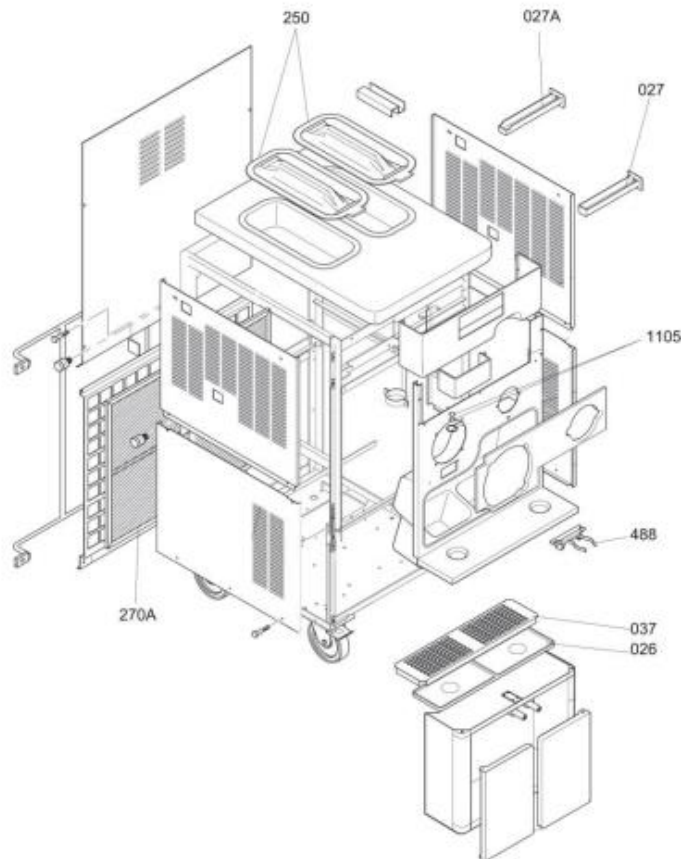
CARPIGIANI

SHAKE/SUNDAE MACHINE

K3 (CCA-K3/KIT)

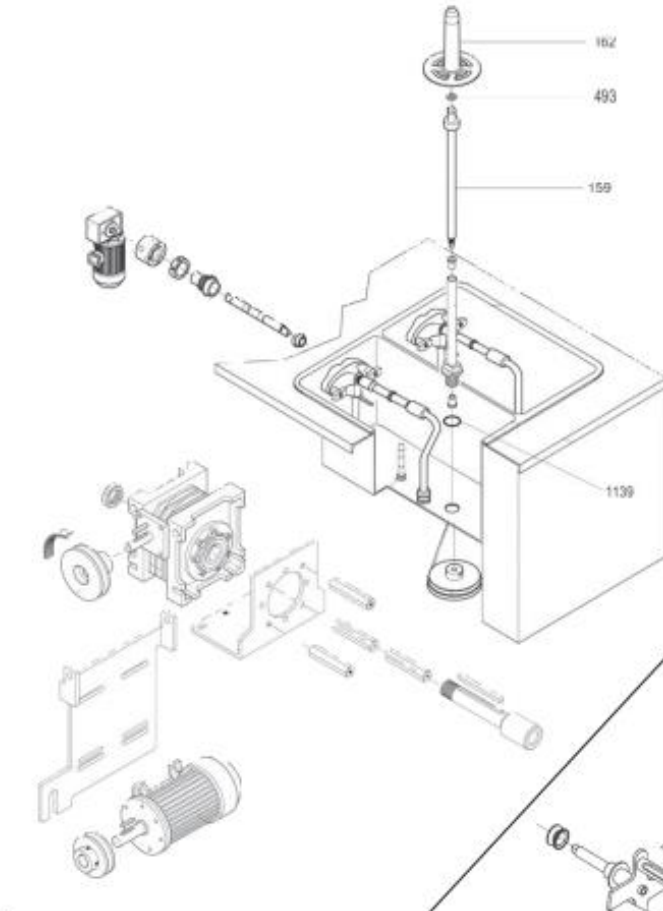


HK# CCAK3/B Shake/Sundae Machine		
Item	HK#	Description
026	CCAIC102159590	Tank tray drip
027	CCAIC102159350	Drip pan rear
027A	CCAIC102159870	Drawer drip pump
037	CCAIC102163240	Drip tray cover
250	CCAIC102144950	Cover tank mix storage
270A	CCAIC193010005	Filter air
271	CCAIC129046040	Tube pump feeding
271A	CCAIC129046050	Tube pump feeding
1105	CCAIC541000105	O-Ring

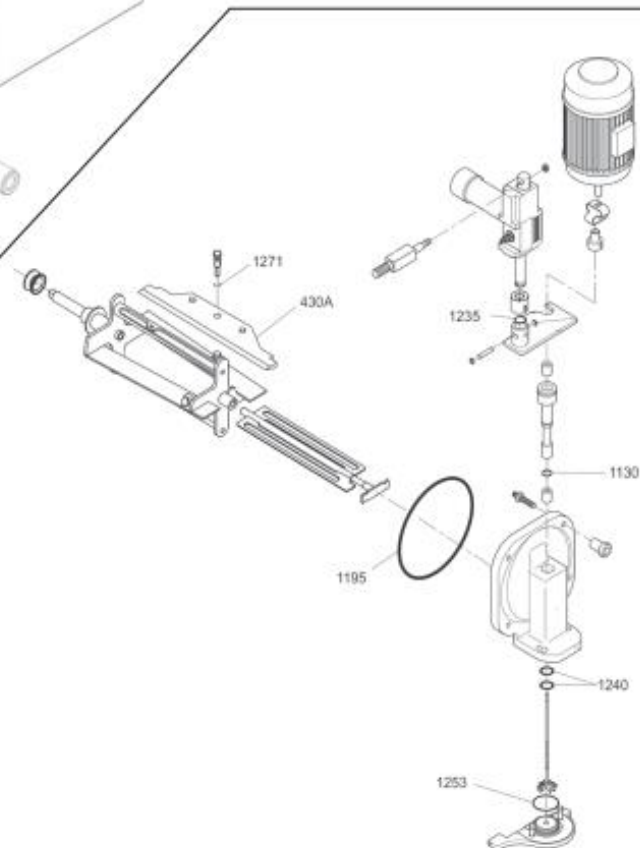


SHAKE/SUNDAE MACHINE

K3 (CCA-K3/KIT)



HK# CCAK3/B Shake/Sundae Machine		
Item	HK#	Description
159	CCAIC155103620	Shaft agitator tank mix
162	CCAIC142020750	Agitator tank mix
493	CCAIC526200613	Agitator shaft bearing
1139	CCAIC541000139	O-Ring



HK# CCAK3/B Shake/Sundae Machine		
Item	HK#	Description
430A	CCAIC141116110	Blade
1130	CCAIC541000130	O-Ring
1195	CCAIC541000195	O-Ring
1240	CCAIC541000240	O-Ring
1253	CCAIC541000253	O-Ring
1271	CCAIC541000271	O-Ring

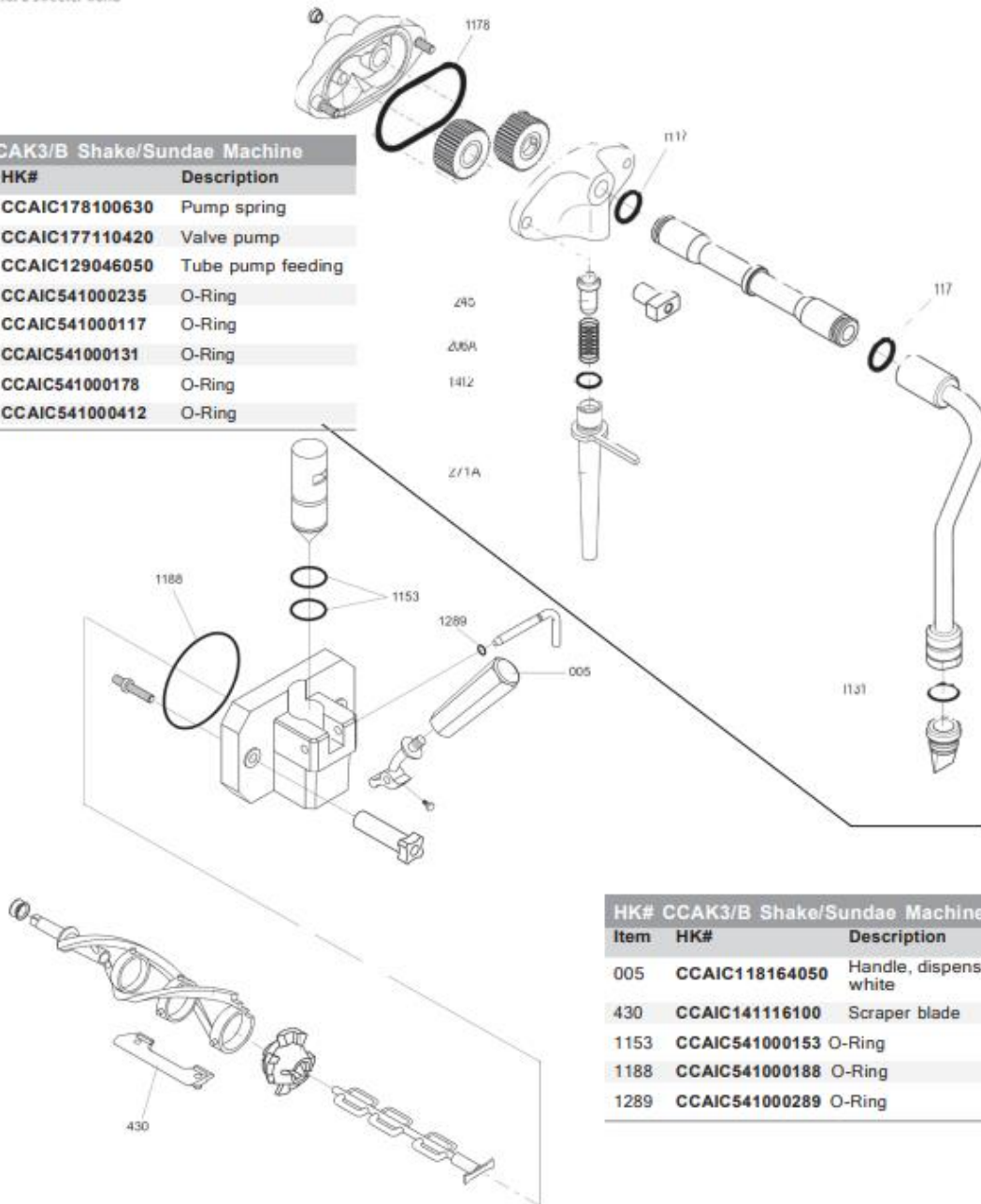


CARPIGIANI

SHAKE/SUNDAE MACHINE K3 (CCA-K3/KIT)



HK# CCAK3/B Shake/Sundae Machine		
Item	HK#	Description
206A	CCAIC178100630	Pump spring
245	CCAIC177110420	Valve pump
271A	CCAIC129046050	Tube pump feeding
-	CCAIC541000235	O-Ring
1117	CCAIC541000117	O-Ring
1131	CCAIC541000131	O-Ring
1178	CCAIC541000178	O-Ring
1412	CCAIC541000412	O-Ring



HK# CCAK3/B Shake/Sundae Machine		
Item	HK#	Description
005	CCAIC118164050	Handle, dispensing, white
430	CCAIC141116100	Scraper blade
1153	CCAIC541000153	O-Ring
1188	CCAIC541000188	O-Ring
1289	CCAIC541000289	O-Ring



SHAKE/SUNDAE MACHINE K3 (CCA-K3/KIT)

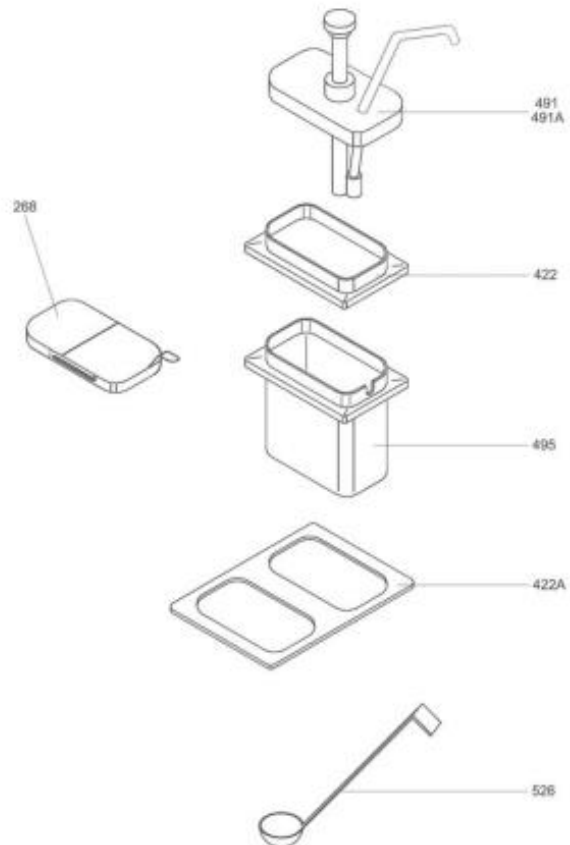
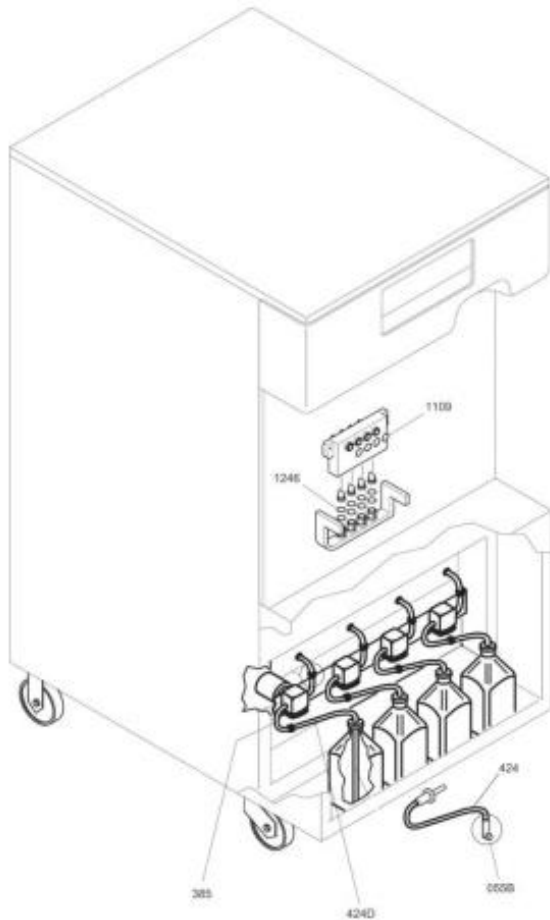


HK# CCAK3/B Shake/Sundae Machine

Item	HK#	Description
055B	CCAIC588150490	Connection syrup bags
385	CCAIC157245040	Peristaltic tube complete
424	CCAIC589800125	Tube, plastic
424D	CCAHC196254	Tubing
1109	CCAIC541000109	O-Ring
1246	CCAIC541000246	O-Ring

HK# CCAK3/B Shake/Sundae Machine

Item	HK#	Description
268	CCAIC102152560	Cover topping container
422	CCAIC107148320	Topping pump spacer
422A	CCAIC107148310	Hot topping container shield
491	CCAIC596110233	Pump, black knob
491A	CCAIC596110257	Pump, white knob
495	CCAIC596100217	Container syrup
526	CCAIC597000123 CCA82951	Ladle, s/s Pump, (complete) topping for caramel & fudge



CARPIGIANI

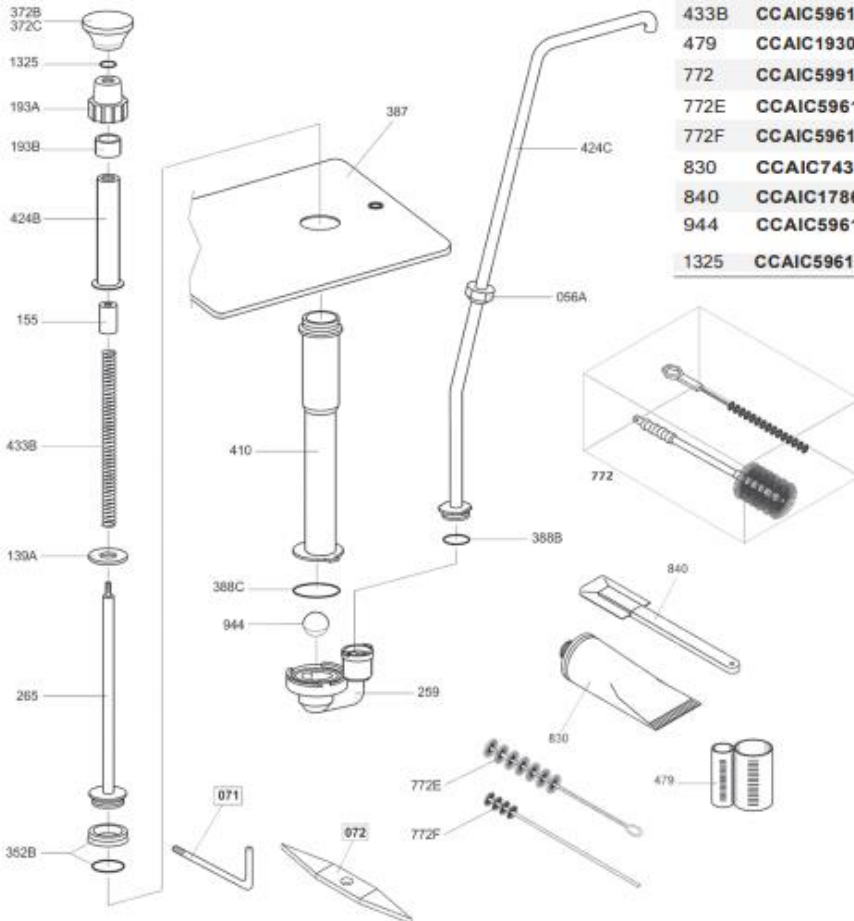
SHAKE/SUNDAE MACHINE

K3 (CCA-K3/KIT)



Item	HK#	Description
056A	CCAIC596110247	Nut discharge pipe
071	CCAIC193010004	Extractor plug
072	CCAIC193010060	Extractor o-ring
139A	CCAIC596110224	Washer
155	CCAIC596110226	Insert
193A	CCAIC596110250	Cover
193B	CCAIC596110227	Spacer
259	CCAIC596110254	Body valve

Item	HK#	Description
265	CCAIC596110239	Assembly plunger
352B	CCAIC596110229	Gasket with o-ring
372B	CCAIC596110246	Handle, black
372C	CCAIC596110258	Handle, white
387	CCAIC596110253	Cover
388B	CCAIC596110236	O-Ring
388C	CCAIC596110237	O-Ring
424B	CCAIC589801019	Pipe rubber
424C	CCAIC596110244	Discharge tube
433B	CCAIC596110225	Spring
479	CCAIC193010510	Calibration cup
772	CCAIC599100191	Kit brush fine soft & shake
772E	CCAIC596110249	Fine brush
772F	CCAIC596110256	Fine brush
830	CCAIC743000103	Lubricant food
840	CCAIC178600160	Spatula
944	CCAIC596110203	Ball
1325	CCAIC596110248	O-Ring



COMPONENT HARDWARE GROUP (CHG) WASTE OUTLET

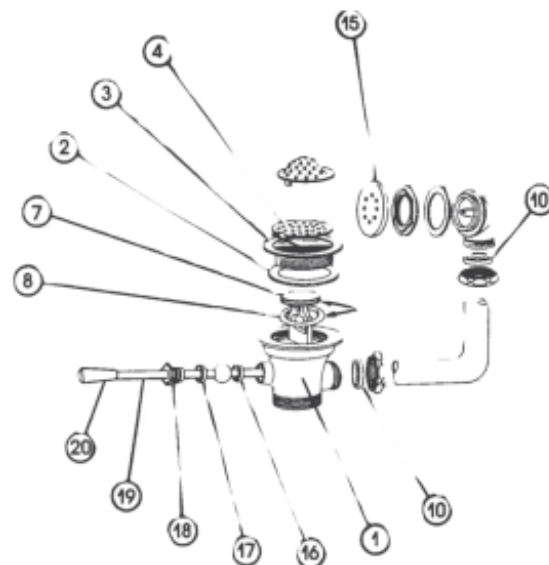
COM1715-1015-1000, COM1765-1015-1000, COM1705-1020-1000 and
COM1755-1015-1000

HK# COM1715-1015-1000, COM1765-1015-1000, COM1705-1020-1000 and
COM1755-1015-1000 Component Hardware Group Waste Outlet



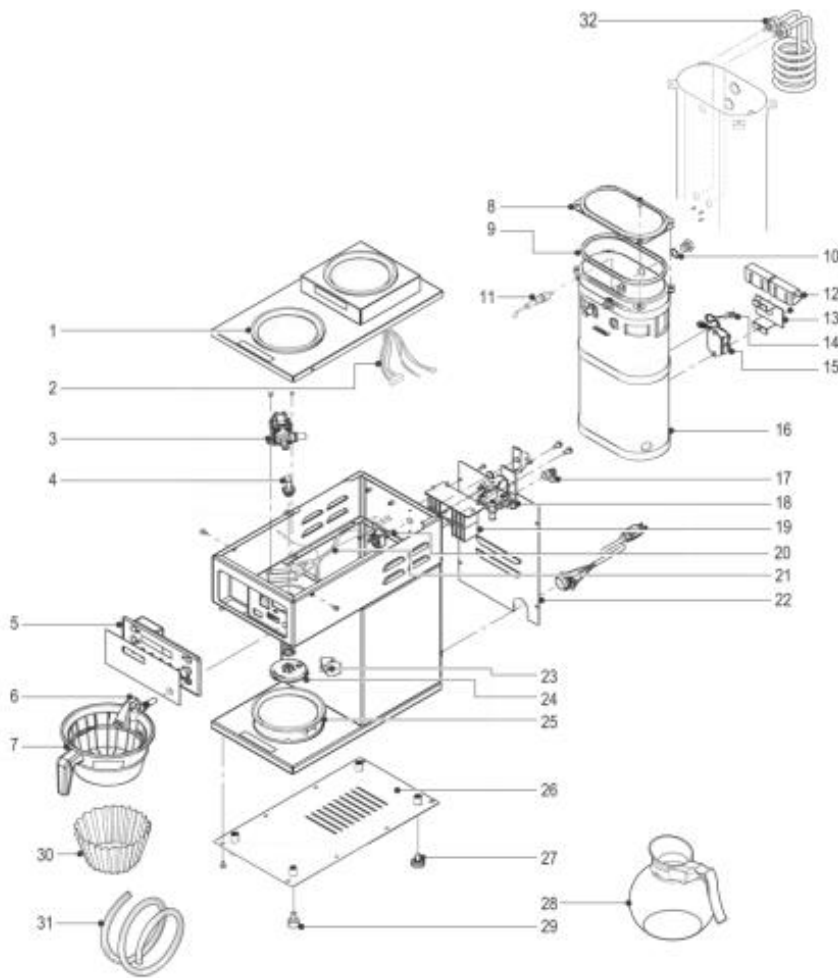
Item	HK#	Description
1	COMX-416-A-1	Waste outlet body 3" (1½" LPS)
2	COMP4	3" Head gasket
*	COM7400-2	3½" head gasket
3	COMP5	Face flange (3½" outlet)
4	COMP6	Flat strainer - s/s (3½" outlet)
*	COM7200-2	Strainer (3½")
5	COMC3C	Complete s/s handle assembly (twist model)
7	COM7200-10	Stem valve
8	COMP2	Stopper o-ring (neoprene)
10	COMP-13	Slip-joint washer
15	COMP-20	S/S strainer for overflow head
16	COM7400-3	Body bushing (lever model)
17	COM7400-2	Packing nut bushing
18	COM7400-1	Packing nut (lever model)
19	COM7400-4	Rod assy. (lever model)
19	COMC3C	Rod assy. (twist model)
20	COMP22	Phenolic handle
A	COM100-1053	Hold-down support bar with screw (for 3" sink opening)
*	COM100-1054	Hold-down support bar with screw (for 3½" sink opening)

*Not shown



COFFEE BREWER

ALP3GT15-Fresh Trac (WCCALP3GT15A826)





COFFEE BREWER

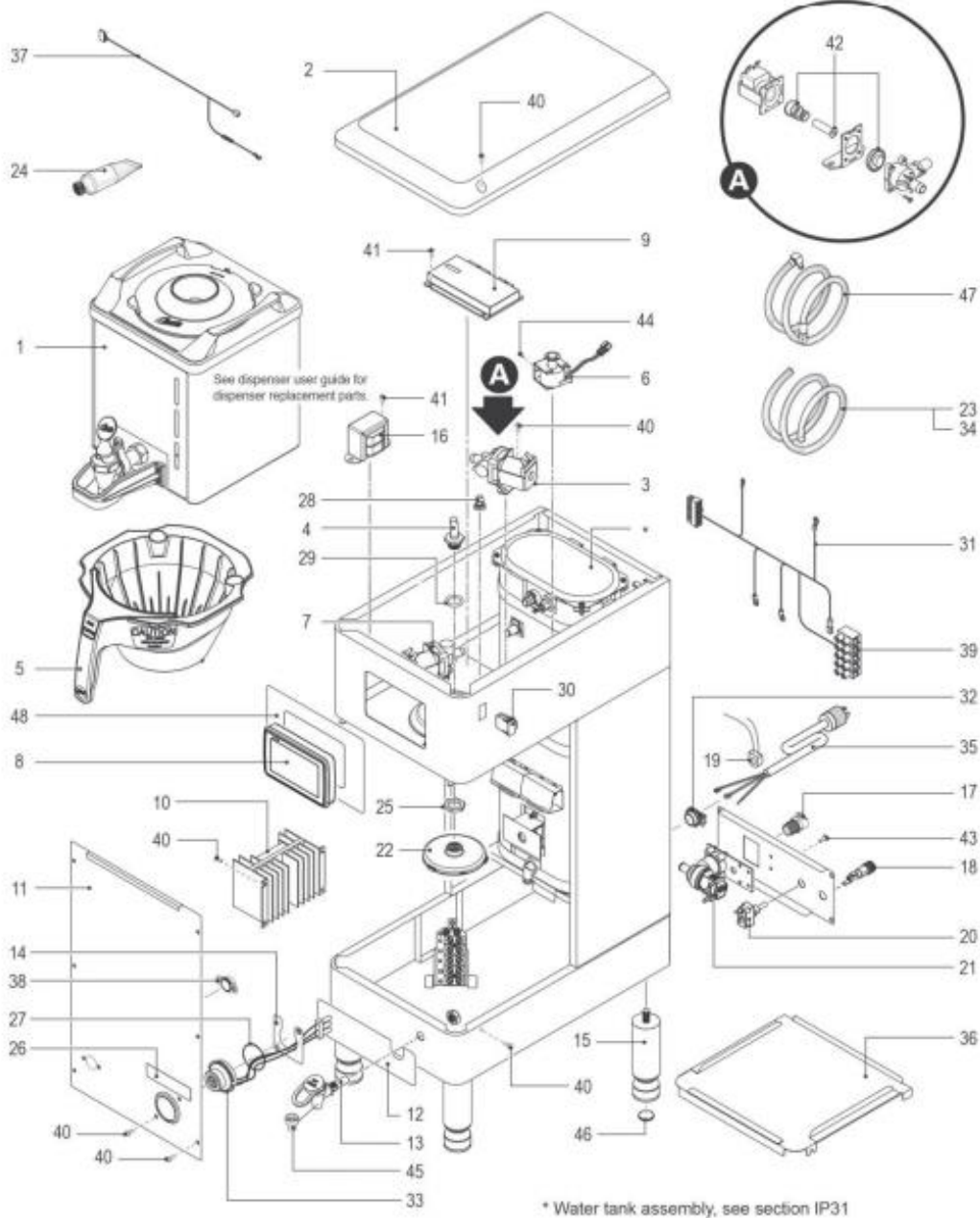
ALP3GT15-Fresh Trac (WCCALP3GT15A826)

HK# WCCALP3GT15-Fresh Trac - Coffee Brewer		
Item	HK#	Description
1	WCCWC-6812	Warmer assembly top ALP3GT
1A	WCCWC-8619	Warmer, top assembly ALP6GT
2	WCCWC13164	Harness assembly, warmer ALPGT upper warmer
3	WCCWC-889-101	Valve, dump left 120V 12W
4	WCCWC-2962-101K	Kit, Sprayhead
5	WCCWC-37441	Kit UCM & label ALP3GT Fresh-Trac
6	WCCWC-1809	Faucet, PS/HSP series hot water 1/2-20 UNF
7	WCCWC-3316	Brew cone assembly, with handle 7.1" dia.
8	WCCWC-5853-102	Cover, top heating tank
9	WCCWC-43062	Gasket, tank lid
10	WCCWC-4320	O Ring 1/2" I.D.
11	WCCWC-4320	Kit, probe assembly water level, hex fitting o-ring & nut
12	WCCWC-4394	Guard, shock heating element
13	WCCWC-43055	Guard, shock reset thermostat
14	WCCWC-1438-101	Sensor, temperature tank
15	WCCWC-522	Thermostat, hi-limit heater DPST 277V-40A
16	WCCWC-1267	Tank, complete ALP-DS/GT 220V
17	WCCWC-2401	Elbow, 3/8 NPT x 1/4 flare PLTD
18	WCCWC-826L	Valve, inlet 1.15GPM 120Vac 10W
19	WCCWC-8556	Heat, sink & triac assembly 40A 600V
20	WCCWC-103	Switch, toggle DPST 25A 125/250VAC resistive
21	WCCWC-13315-101	Harness complete ALPHAGTN-15
22	WCCWC-5970	Cover, back ALP3GT
22A	WCCWC-61595-101	Cover, back bottom ALP6GT
23	WCCWC-10002D	Transmitter assembly, D-style
24	WCCWC-29025	Sprayhead, assembly AFS-purple
25	WC-972	Plate, warmer complete 100W, 120V
26	WC-58056	Cover, bottom ALP3GT
27	WC-3518	Leg, 3/8" - 16 x 1/2" L glide
28	WCC70580000303	Decanter, glass Curtis fresh-trac
29	WCCWC-3503	Leg, 3/8" - 16 stud screw bumper
30	WCCCR-10	Filter, paper coffee #506 1000/pkg
31	WCCWC-5310	Tube, 5/16 ID x 1/4 W silicone
32	WCCWC-922-04	Kit, element heating 3.5KW 220V



GEMX COFFEE BREWER

WCCG4GEMXSIFTR10A





GEMX COFFEE BREWER WCCG4GEMXSIFTR10A



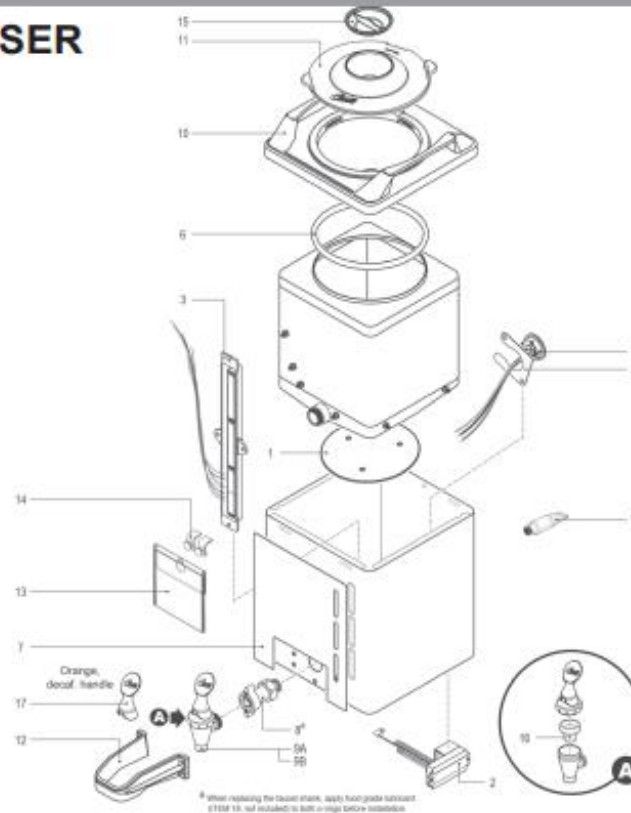
HK# WCCGEM3XRBA026 GemX Dispenser		
Item	HK#	Description
1	WCCGEM3XRBA026	Dispenser, GEMX
2	WCCWC-66115	Cover, top GEMXSIFT
3	WCCWC-820WDR*	Valve, dump right 120v 12w w/ internal Resistor & diode
4	WCCWC-2977K*	Kit, sprayhead fitting metal
5	WCCWC-3417-P	Brew cone,assy w/splash pocket brwn stylized gemin hot coffee
6	WCCWC-442	Solenoid, lock brew cone right/left 120v tp2t/tp2s/qemss/qem
7	WCCWC-844-101	Valve, by-pass, non-adjustable with restrictor (WC-2945)
8	WCCWC-10000-108	Control module, touch screen g4 McDonald's
9	WCCWC-10001	Control module, upm 120/220v g4
10*	WCCWC-8559	Relay, solid state 280v/40a w/ heatsink and quick disconnects
11	WCCWC-58395-102	Cover, front
12	WCCWC-390605	Label, bottom deck gemxsift McDonald's
13*	WCCWC-1809-P	Faucet, ps/hps series hot wtr 1/2-20 unf ap/alp
14	WCCWC-61963	Plate, holder if connectors GEMTIF
15*	WCCWC-3543	Leg,6in adjustable 3/8-16 thrd, italian style
16	WCCWC-589-101	Transformer, 120vac-24v 4.8a w/ leads & Molex connector
17*	WCCWC-2467	Coupling body, shutoff 3/8 npt chrome plated ALP3GT15A826
18	WCCWC-1501	Fuse, holder assy w/5a fuse
19	WCCWC-14045-101	Current sensor assy g4
20*	WCCWC-103	Switch, toggle non-lit dpst 25a 125/250vac resistive
21	WCCWC-847*	Valve, inlet 2 gpm 120v 10w gen use brown body
22	WCCWC-29050*	Sprayhead, amber advanced flow
23	WCCWC-5310*	Tube, 5/16 id x 1/8w silicone
24	WCCWC-5231*	Compound, heat sink 5oz

HK# WCCGEM3XRBA026 GemX Dispenser		
Item	HK#	Description
25	WCCWC-4213-P	Nut, 5/8 lock plated
26	WCCWC-38504	Label, warning shock hazard intellifresh
27	WCCWC-43133	O-ring, 1.424id x 1.630 Od x .103 Wall gemif's
28	WCCWC-29044-101	Sleeve, overflow
29	WCCWC-4320	O-ring, 0.487i.D.X 0.693od x0.103cs buna-n #112
30	WCCWC-10008	Universal host adapter usb
31	WCCWC-13463	Harness assy, G4GEMSS10/ G4GEMS if (includes terminal block)
32	WCCWC-1412	Cord grip, 3/4" for metal cord to .81"Od
33	WCCWC-571K-R	Kit, if connector- right
34	WCCWC-5350	Tube, 1/2 id x 1/8w silicone gen use
35	WCCWC-1226	Cord,600v 12/4 6ft w/nema plug locking l14-20p
36	WCCWC-65042-101	Deck, dispenser w/a
37	WCCWC-13491	Harness assy,complete restrict brew gemx single
38	WCCWC-10047	Module, receiver, rfid
39	WCCWC-314	Power block, 5 station
40	WCCWC-4426	Screw, 8-32x3/8 ph head truss
41	WCCWC-4514	Screw, 8-32x3/8 pan head ph ss
42	WCCWC-37132-101	Kit, valve repair for deltrol wc-820wdr, wc-821wdr, wc-844wdr (newer units)
43	WCCWC-4616	Screw, 1/4-20 x 1/2 phillips pan head stainless steel
44	WCCWC-4412	Screw, 10-32x3/16" ph pn hd ms ss
45	WCCWC-1806	Seat cup, silicone use on wc-1809 faucet
46	WCCWC-3533	Bumper, rubber 1in dia.
47	WCCWC-53169-60	Tube assy, braided 1/4 flare x 60" lg w/ fittings
48	WCCWC-390616	Label, outer touchscreen g4gem xsift McDonald's



GEMX COFFEE DISPENSER

WCCGEM3XRBA026



HK# WCCGEM3XRBA026 GemX Dispenser

Item	HK#	Description
1*	WCCWC-981K	KIT, INTELLIFRESH HEATR WC-981 GEM3IF
2*	WCCWC-10048-108K	Kit for WC-10048-108, UPM (includes sensor)
3*	WCCWC-10037K	Kit, control module, led assembly GEM3XIFT
4	WCCWC-13426	Wire assy, if connector GEM3IF
5	WCCWC-61963	Plate, holder if connectors GEMTIF
6	WCCWC-43062	Gasket, tank lid
7	WCCWC-390604	Label, front GEM3XIFT McD
8	WCCWC-1901A-104Ka	Kit, faucet shank GEM3XIFT
9A*	WCCWC-1803	Faucet, "spb" series, black handle/plastic 1-1/32-14 uns curt
9B	WCCWC-1803D	Faucet assy decaf handle plastic 1-1/32-14 uns Curtis
10	WCCWC-66111K	Kit, top and handles
11*	WCCWC-66117-P	Lid, dispenser GEM3X
12	WCCWC-66119K	Kit, faucet guard GEM3X
13	WCCWC-66154	Holder, flavor card GEMX3
14	WCCWC-66145K	Kit, holder, flavor clip (set of 2 clips)
15	WCCWC-66120-P	Cap, GEM3XIFT
16*	WCCWC-1805	Seat cup, "s" faucet use on wc-1800/b/lb/d/dl/l/wc-1803
17	WCCWC-32005ORG	Handle, faucet stylized org Curtis
18	WCCWC-4916	Lubricant, grease heavy duty pc's 4oz

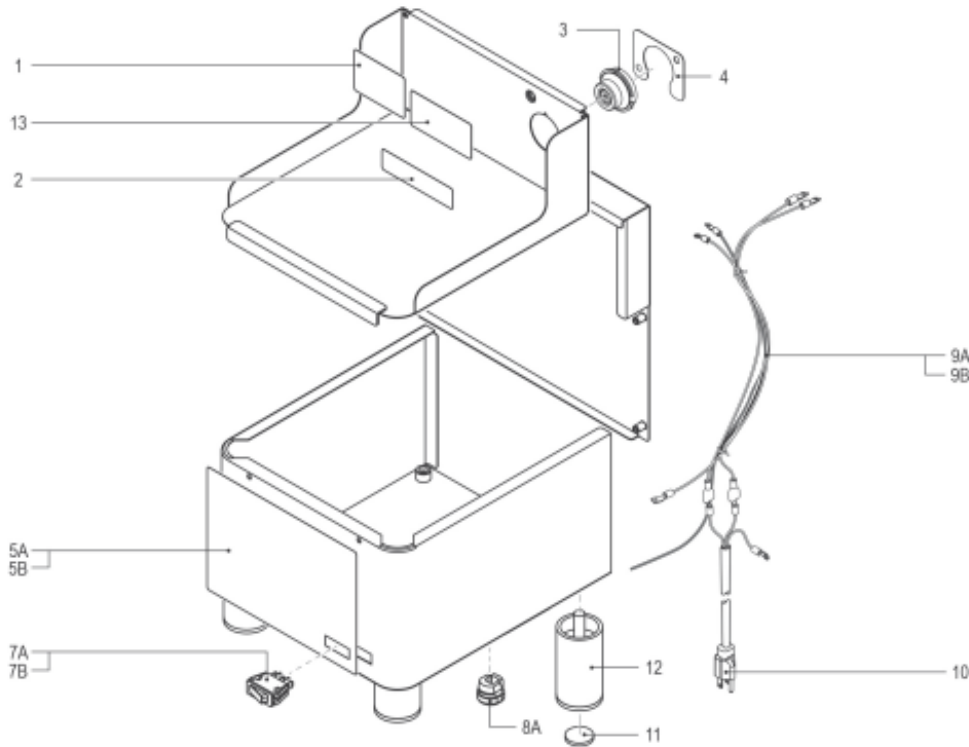
* When replacing the faucet shank, apply food grade lubricant (ITEM 18, not included) to both o-rings before installation.

* Recommended parts to stock.





GEMX WARMING STAND WCC5XSIFT10A026, WCC5XTIFT10A026



HK# WCC5XSIFT10A026, WCC5XTIFT10A026 GemX Warming Stand		
Item	HK#	Description
1	WCCWC-38535	Label, slide container to contact back panel GEMTIF/GEMSIF
2	WCCWC-38504	Label, warning shock hazard intelli-fresh
3	WCCWC-571K-R	Kit, if connector- right
4	WCCWC-61307	Holder, connector female GEMTIF
5A ¹	WCCWC-390607	Label, front GEM5XSIFTR McD
5B ²	WCCWC-390606	Label, front GEM5XTIFTR McD
6	WCCWC-13425-101	Adapter assy, if connectors (not shown)
7	WCCWC-165	Switch, warmer (red) 120v neon spst 20a/250v hi temp cafe/aw
8	WCCWC-1408	Cord grip, 7/8" O.D.
9A ¹	WCCWC-1386-102	Harness, assy GEM5IF
9B ²	WCCWC-13435	Harness assy w/wc-1200 cord GEM5IFT
10A	WCCWC-1200	Cord, 14/3 sjto 6" blk w/plug
11	WCCWC-3533	Bumper, rubber 1" dia (for use with older units that have legs with plastic base)
12	WCCWC-3542	Leg, 3-1/4" non-adjustable 3/8-16 thrd 1-5/8" dia.
13	WCCWC-38631	Label, use only GEM3XIFT
14	WCCWC-38149	Label, universal warning (not shown)

¹ Single version, ² Twin version





SOAP PROPORTIONER & PARTS

RAB9232-1009



Soap Proportioner Parts

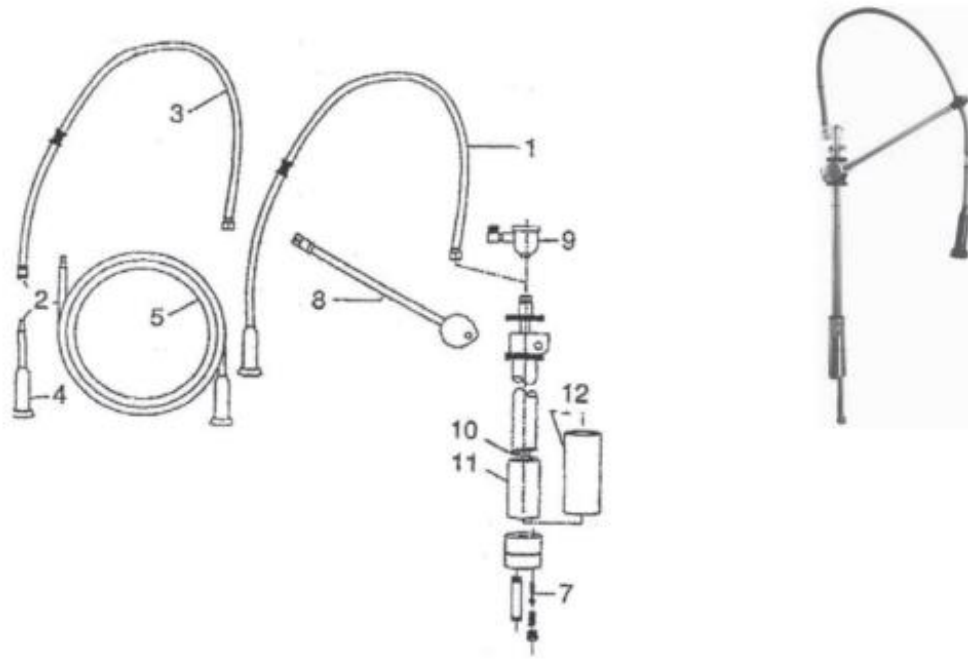
Item	HK#	Description
A	DEE154	Complete soap proportioner with internal anti-siphon for T & S only
	DEE151 SOAP	Complete soap proportioner without internal anti-siphon for Fisher only
	DEE34-22	Backflow Preventer for 151



ECOLAB

ECO-SPRAY/RAYBURN AUTOMATIC PRE-FLUSH HOSE SYSTEM

9295-2589 (RAB9295-2589)



HK# RAB9295-2589

Item	HK#	Description
1	RAB9295-2209	Hose assy. 54" with spray head
	RABRAB9295-2308	Hose assy. 60" with spray head
2	RAB9295-2381	Jiffy Hose 54" quick disconnect with nozzle (incls. #3 and #4)
3	RAB9295-2399	Jiffy Hose top section
4	RAB9295-2332	Jiffy Hose short end with nozzle
5	RAB9295-2340	Jiffy Hose 6' extension with nozzle
	RAB9295-2654	Eco-Spray II field maintenance kit (incls. 1/4" s/s washer (2), 1/4" 20x1 machine screw, small s/s spring, o-ring (2), plug, acorn nut, s/s star washer)
7	RAB9295-2837	Plunger eco-spray II
8	RAB9295-2431	Upper actuating arm eco-spray
9	RAB9295-2324	Vacuum breaker with nipple
10	*Non-Replaceable	Spring, s/s
11	*Non-Replaceable	Actuator
12	*Non-Replaceable	Valve body
	RAB9295-2910	O-Ring replacement kit (incls. 2 o-ring, 2 valve o-ring)
	RAB9295-2720	Hose clamp and hardware

*Note: Items 10, 11, 12 are factory assembled as a unit and are non-replaceable.

WATER FILTRATION SYSTEM

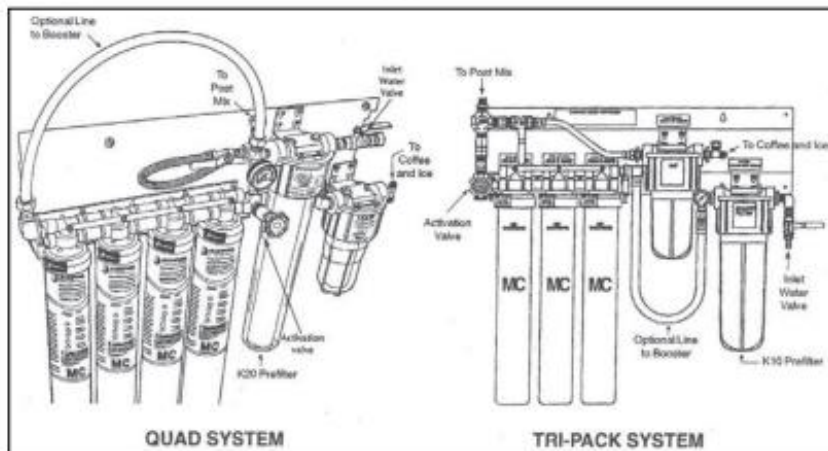
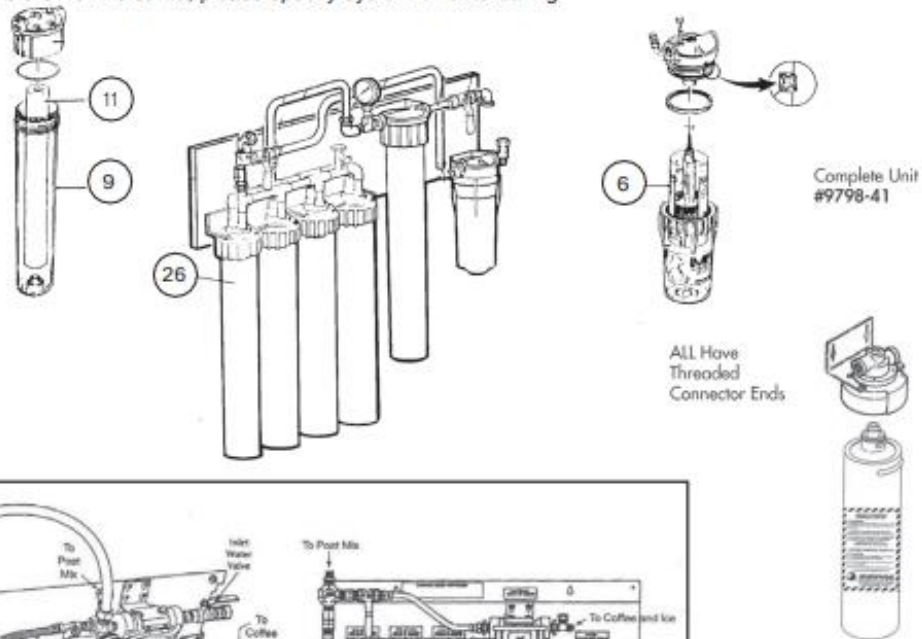


Water Filtration System

Item	HK#	Description
6	EVR979932	IMF cartridge, feeds scale inhibitor into water for coffee, hot chocolate, ice machine
9	EVR3070-19	Short pressure vessel, removed to change out cartridges
11	EVR9534-01	.5 Micron prefilter cartridge 10", filters out large particles. EC110/short
11	EVR9534-03	.5 Micron prefilter cartridge 20", filters out large particles. EC210/long
26	EVRMH	MH type water filter
*	EVRMC	MC type water filter
*	EVR9534-01	Prefilter short (EC110)
*	EVR9534-03	Prefilter long (EC210)

*Not shown

** Everpure and Cuno Parts are not the same; please specify system when ordering



For replacement cartridges, please see page 2.18-2.20



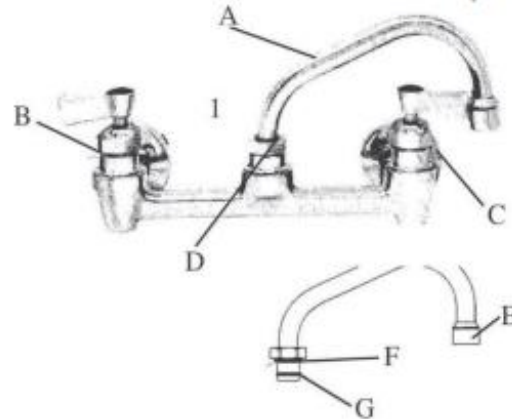
SINK FAUCET 3253 (FIS3253)

FISHER

HK# FIS3253

Item	HK#	Description
1	FIS3253	Complete faucet with 12" swing nozzle
A	FIS3963	12" replacement nozzle
B	FIS3000-0000	Complete HOT spindle assy.
C	FIS3000-0001	Complete COLD spindle assy.
D	FIS3000-3306	Connector
E	FIS11053	Aerator
F	FIS3000-5002	Gasket
G	FIS1600-5000	O-Ring
*	FIS65X	18" nozzle
*	FIS3963	12" nozzle
*	FIS3964	14" nozzle
*	FIS3967	16" nozzle

*Not shown



HK# FIS9045 Pre-Rinse Unit

Item	HK#	Description
A	FIS9045	Complete fisher pre-rinse unit
1	FIS13196	Faucet base
2	FIS3000-3309	Connector body
*	FIS3000-5001	Washer
3	FIS2916-15	15.5" hose only
*	FIS2916-25	25-1/2" hose only
*	FIS2914	36" hose only
*	FIS2915	60" hose only
4	FIS2949	Ultra spray valve (blue)
5	FIS2902-12	Wall bracket with 12" rod
6	FIS2913	Insulated handle for spray valve (includes 2 gaskets)
7	FIS2932-0002	Back flow adaptor (used between hose and handle)
8	FIS2011-0000	Swivel gooseneck assy.
9	FIS1000-5008	O-Rings
10	FIS2927-4300	21" x 1/4" riser tube
*	FIS2927-4301	31" x 1/4" riser tube

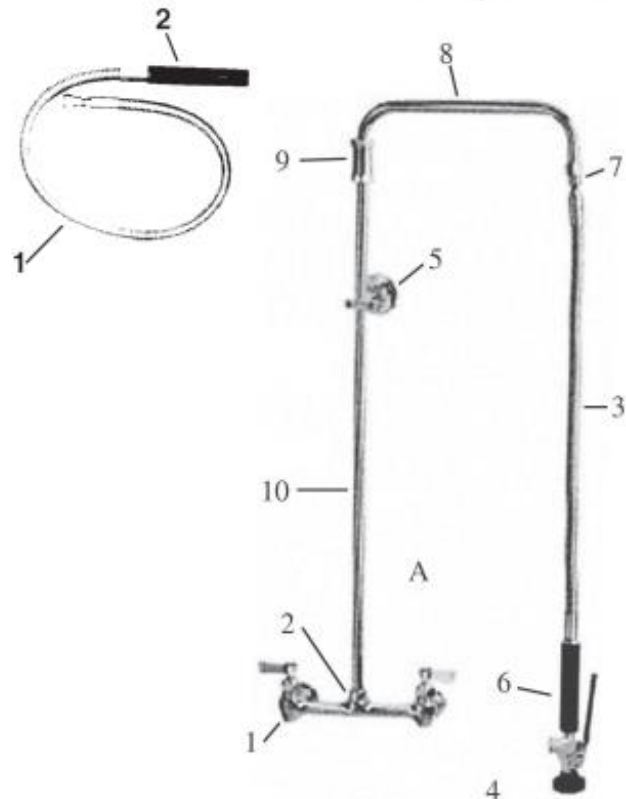
*Not shown

T&S Pre-rinse To Fisher Hose

Item	HK#	Description
1	FIS2918	44" hose with handle and adaptor
*	FIS2918-68	68" hose with handle and adaptor
*	FIS2922	Adaptor only
2	FIS2913	Insulated handle with gaskets

*Not shown

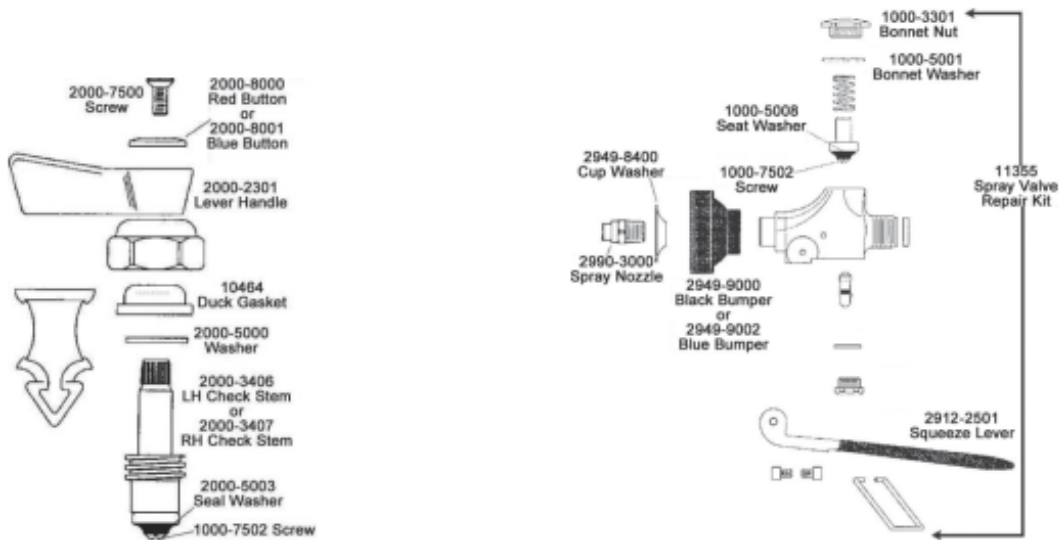
PRE-RINSE UNIT 9045 (FIS9045)



PRE-RINSE UNIT

9045 (FIS9045)

FISHER



Spindle Assy

HK#	Description
FIS2000-7500	Screw
FIS2000-8000	Red button
FIS2000-8001	Blue button
FIS2000-2301	Lever handle
FIS10464	Duck gasket
FIS2000-5000	Washer
FIS2000-3406	LH check stem
FIS2000-3407	RH check stem
FIS2000-5003	Seat washer
FIS1000-7502	Screw
FIS10456	Lube

Fisher Spray Valve

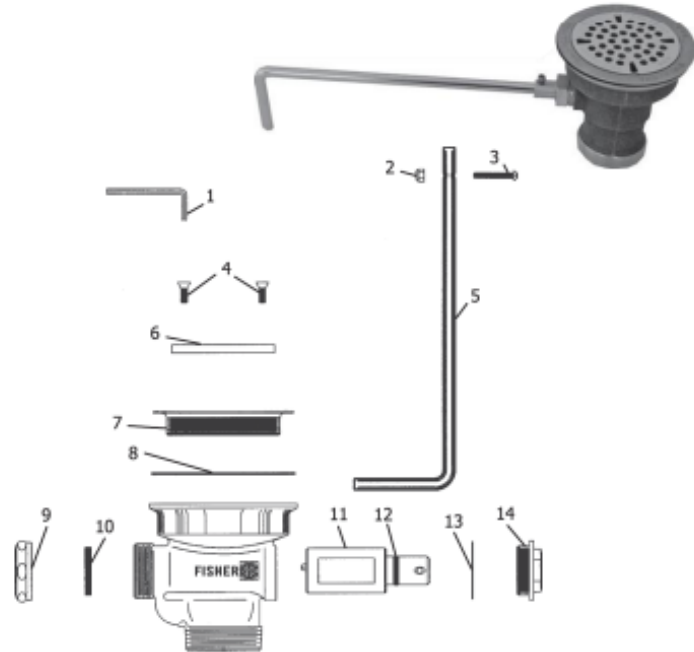
HK#	Description
FIS11355	Spray valve repair kit
FIS1000-3301	Bonnet nut
FIS1000-5001	Bonnet washer
FIS1000-5008	Seat washer
FIS1000-7502	Screw
FIS2949-8400	Cup washer
FIS2990-3000	Spray nozzle
FIS2949-9000	Black bumper
FIS2949-9002	Blue bumper
FIS2912-2501	Squeeze lever

FISHER

ROTARY WASTE OUTLET

22209 (FIS22209)

HK# FIS22209 Rotary Waste Outlet		
Item	HK#	Description
1	FIS1600-7001	Allen wrench for vandal resistant screws
2	FIS11177	Nut
3	FIS11185	Screw
4	FIS1600-7000	Vandal resistant screw
5	FIS11169	Lever handle
6	FIS11231	Flat strainer
	FIS9094-3000	Vandal resistant flat strainer
7	FIS11266	Clamping ring
	FIS9094-2300	Vandal resistant flat strainer
	FIS11274	Gasket
	FIS11126	Slip joint nut
	FIS10774	End cap
10	FIS11134	Slip joint washer
	FIS10782	End cap gasket
11	FIS6000-0003	Rotor with o-ring
12	FIS6000-5002	O-Ring
13	FIS11150	Fiber washer
14	FIS11118	End cap



FRANKE

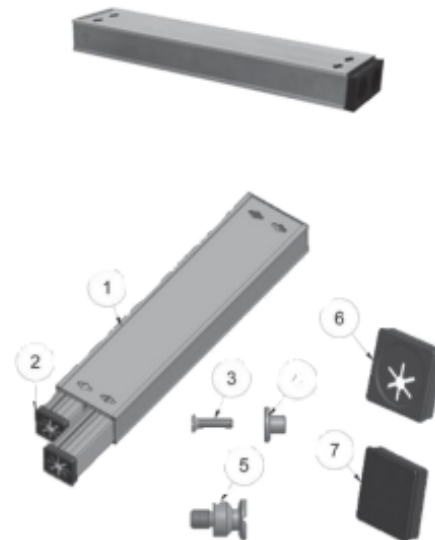
CONE DISPENSER

27800220 (FRS27800220)

FRANKE

HK# FRS27800220 Cone Dispenser		
Item	HK#	Description
1	FFS27800221	Housing, frame, cone dispenser
2	FFS27800224	Drawer, removable, dispenser
2A	FFS27800229	Gasket, cone dispenser for cake cone (shown installed) standard
3*	FFS27800217	Screw UNF for Taylor shake machine
4*	FFS27800217	Shoulder washer for Taylor shake machine
5*	FFS27800217	Shoulder bolt for Carpigiani shake machine
6	FFS27800352	Gasket, cone dispenser for small sugar cone optional
7	FFS27800342	Gasket, cone dispenser, blank off optional

*Sold as cup/cone shake machine screw kit



SAUCE GUNS

FRANKE

Sauce Guns

Item	HK#	Description
1	FFS24109067	Screw (M4x12)
2	FFS24117005	Piston, plate pusher
3	FFS24117001	Cartridge holder
4	FFS4006868	Handle assy., 1/3 oz., red
	FFS4006869	Handle assy., 1/2 oz., white
	FFS4006865	Handle assy., 5/8 oz., blue
	FFS4006867	Handle assy., 2/3 oz., black & light green
5	FFS24117012	Rod, pusher, 1/3 oz., red
	FFS24117023	Rod, pusher, 1/2 oz., white
	FFS24117024	Rod, pusher, 5/8 oz., blue
	FFS24117025	Rod, pusher, 2/3 oz., black
	FFS4007604	Rod, pusher, 2/3 oz., light green

* Sold as cup/cone shake machine screw kit



FROZEN FRY DISPENSER

F3DN, Narrow Footprint (FCG18005798)

HK# F3DN Frozen Fry Dispenser

Item	HK#	Description
4	FFS19000247	Rubber baffle
8	FFS19000452	Air filter, 10.5" x 10.125" x 1/2"
11	FFS19000685	Gasket, door
12	FFS19002065	Sensor bracket bar
	FFS19000782	Bottom, freezer, plastic
	FFS19000783	Drip tray, upper, black ABS
	FFS19000786	Wire rack, bottom, fry

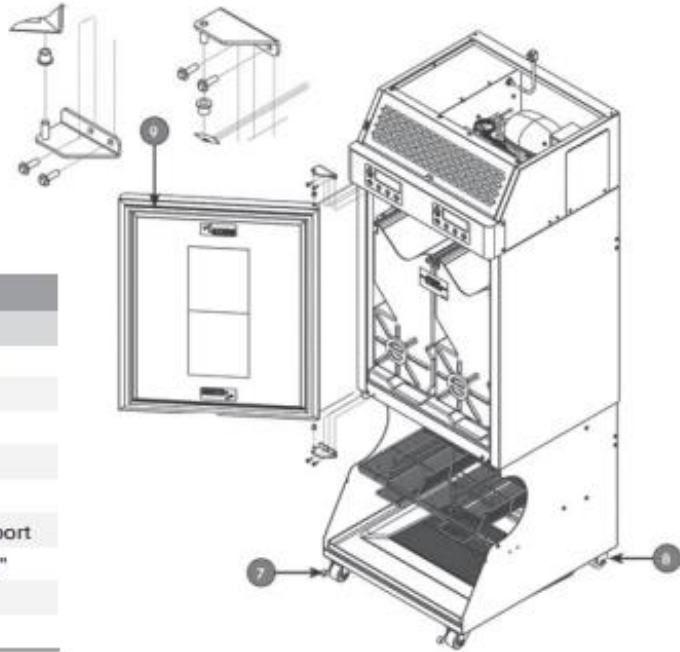
Basket support



FRANKE

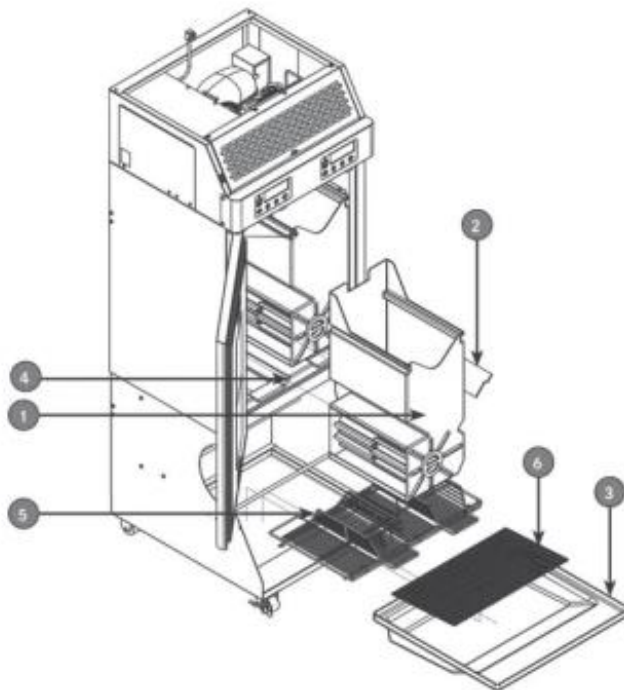
FROZEN FRY DISPENSER

F3D3 (FCG18005868)



HK# FCG18005868 Frozen Fry Dispenser

Item	HK#	Description
1	FFS18007492	Hopper and rotor assembly F3D
2	FFS19000247	Baffle, rubber F3D
3	FFS19003923	Drip tray bottom raised lip
4	FFS19002723	Bottom, removable, F3D3
5	FFS19003700	Wireform drip tray F3D3
6	FFS19000786	Wire rack, bottom fry basket support
7	FFS614963	Caster, plate with brake 2.5" x 1.75"
8	FFS618902	Caster, 2.5" rigid plate, black
9	FFS19002750	Gasket, freezer case door



HK# FFS18001528
Assembly, hash brown rack

HK# FFS18009311
Basket, push button kit

HK# FFS19003534
Door, product dispensing
for F3D3

HK# FFS17013249
Panel, rear access

SPECIALTY COFFEE MACHINE

SINFONIA-MUT



HK# FFS151050
Bean hopper insert,
For Franke/Sinfonia specialty coffee
machine model SINFONIA-MUT

HK# FFS151043-2 Sinfonia Emergency Parts Kit*
Includes:

HK#	Description
FFS151017	Coffee outlet
FFS27023398	Brush set
FFS151036	Air restrictor o-ring large
FFS151037	Air restrictor o-ring small
FFS151026	CF air restrictor
FFS27800050	Adapter, bulk milk bag blue
FFS27800049	Adapter, bulk milk bag red
FFS1557826	Silicone hose 10mm OD
FFS151046	Frother head 3.0 CPL with cover
FFS181229-1	Label, inside Sinfonia SOS kit

*Kit items also sold separately

HK# SINFONIA-MUT Specialty Coffee Machine Model

HK#	Description
FFS151014	Hopper adapter
FFS27800092	Hopper
FFS27800016	Hopper lid
FFS151050	Bean hopper insert
FFS151017	Coffee outlet
FFS151018	Leg support
FFS151019	Leg foot
FFS151020	3 compartment cleaning bin
FFS27023398	Brush set
FFS151022	Drain spring
FFS151023	Speed CF foamer
FFS151024	Puck bucket / grounds container
FFS151025	Cappu cover complete / foamer cap
FFS151036	Air restrictor o-ring large
FFS151037	Air restrictor o-ring small
FFS151026	CF air restrictor
FFS151027	Sinfonia drain grate
FFS151028	Green o-ring CF foamer cap
FFS151047	Stop plate cups/cup positioner
FFS151030	Cup positioner screws
FFS151031	Thin washers cup positioner
FFS151032	Wide washer cup positioner
FFS151033	Nuts positioner cup positioner
FFS151034	Torx screws / set of screws
FFS151038	Rubber foot, leg
FFS151035	Pull pin
FFS151001-1	Detergent for milk system (single bottle)
FFS154430	Cleaning tablets

*Kit items also sold separately



HEATED LANDING ZONE

HLZ18, HLZ22



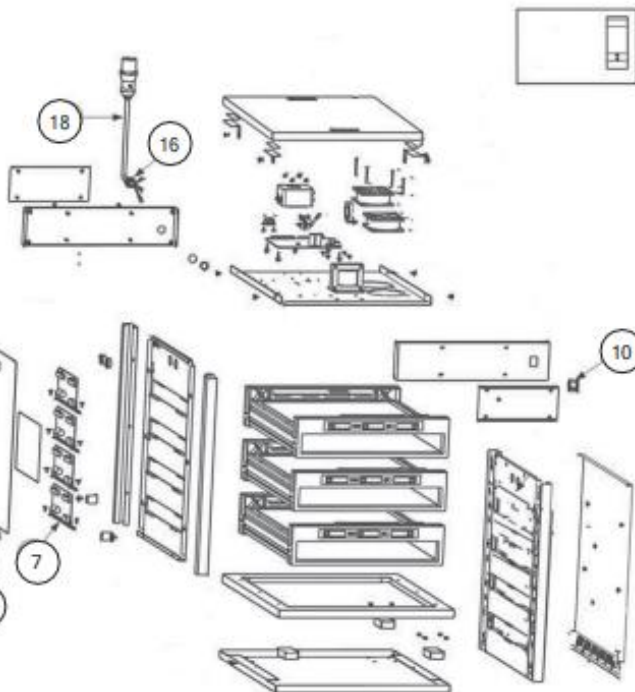
HK# FHLZ18, FHLZ22 Heated Landing Zone	
HK#	Description
F807-0979	Transformer, 208V/240V/12V
F807-3036	Air RTD probe
F807-3043	Air Thermocouple
F806-9636	Plug assembly, computer
F826-1733	Relay, solid state service kit
F807-3021	Relay, latching
F826-1551	Blower, 208V/240V
F807-2820	Fuse block
F807-2819	Fuse 20A

HK# FHLZ18, FHLZ22 Heated Landing Zone	
HK#	Description
F807-3020	Cord set, twist lock, HLZ
F811-0511	RTV#108 silicone rubber
F816-0418	Gasket, HLZ plate/cowl
F810-1724	Filter screen
F826-2535	Computer assembly, HLZ
F809-0448	Cowl Tinnerman clips
F63098	18" Shield/burger bumper; used with two 8 HLZ's side by side



UNIVERSAL HOLDING CABINET

12 Slot



Parts unique for UHCs built between 1996-April, 2004 are no longer available or supported



Illustrated Parts Breakdown

Item	HK#	Description
7	F807-2444	Display driver
8	F807-2448	Driver board AC/data harness, 4-slot unit
9	F809-0618 F826-1376	Button hanger Button hanger nut, 10/pk.
10	F807-3308	On/off switch
16	F807-3238	Power cord strain relief
18	F807-2473 F807-2474	Pin & sleeve power cord, 12½' Twist lock power cord, 12½'



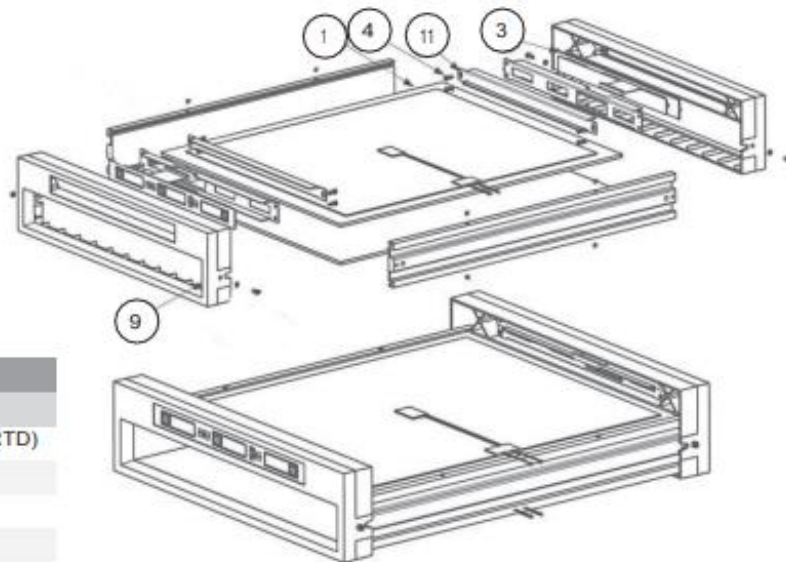
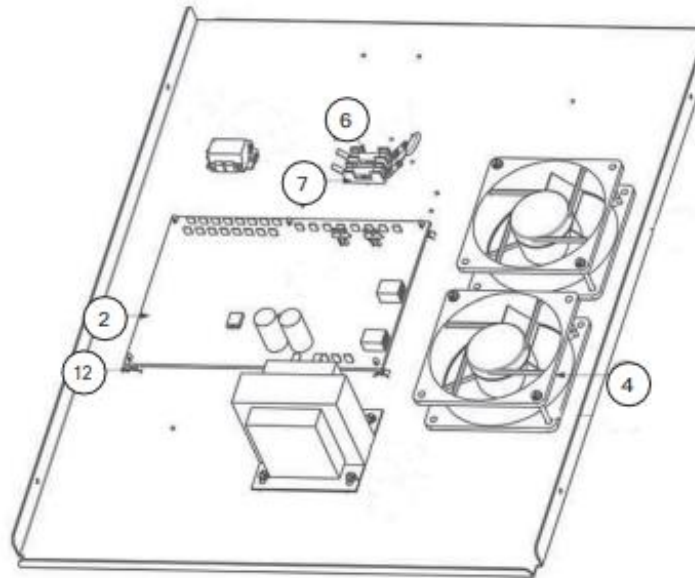
UNIVERSAL HOLDING CABINET

12 Slot



Domestic Component Shelf

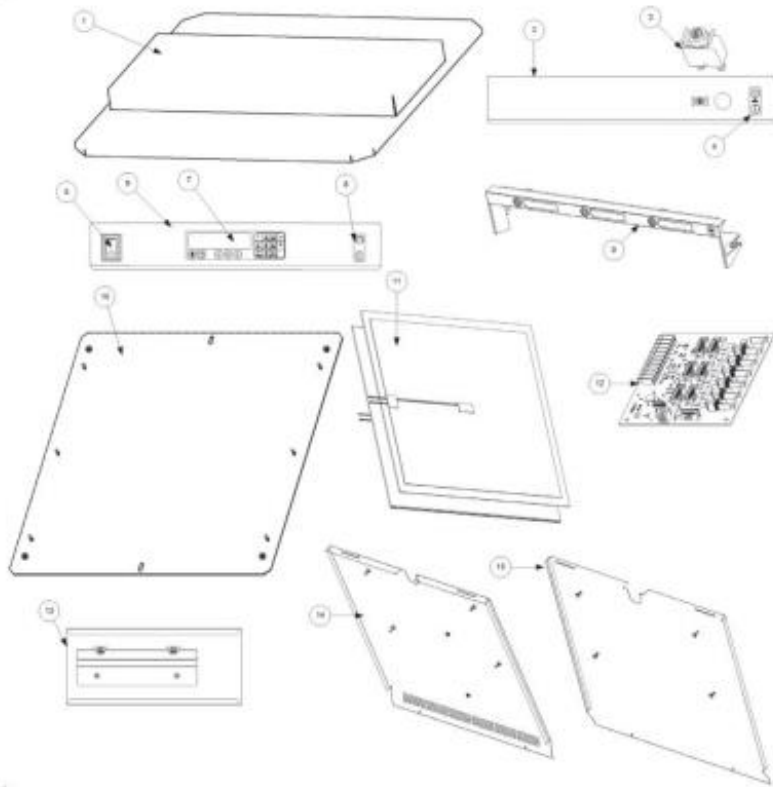
Item	HK#	Description
2	F807-2443	Motherboard
4	F807-2665	Exhaust blower
6	F807-2819	Fuse, 20 amp
7	F807-2820	Fuse block
12	F809-0580	Circuit board stand off



Slot Assembly

Item	HK#	Description
1	F807-5251	Heater plate (includes RTD)
3	F807-3310	Rear slot display
4	F809-0593	Screw, set #6 x 1/2
9	F816-0239	Slot bezel
11	F900-5234	Bezel support bracket

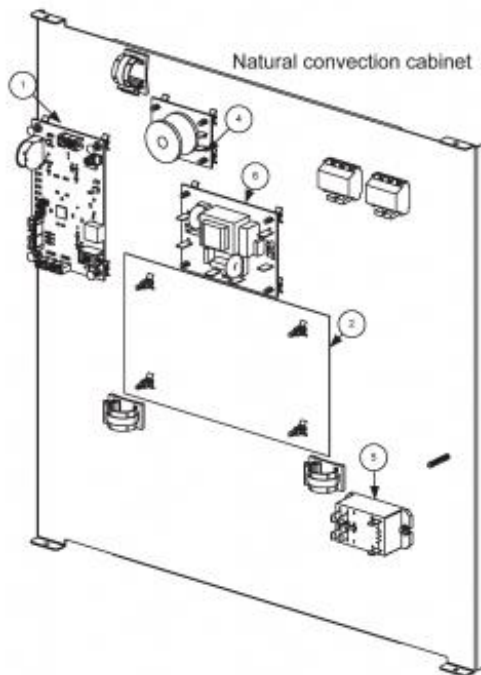
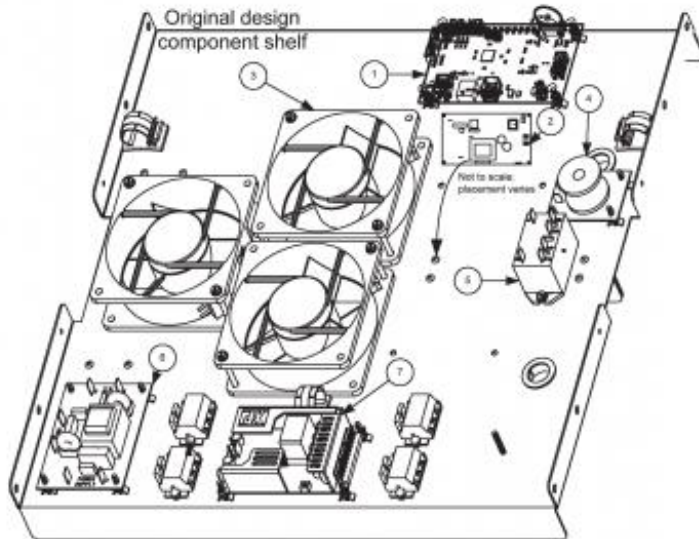
UNIVERSAL HOLDING CABINET HD 18 Slot (FUHCHD6TP-NC)



Cabinet Parts		
Item	HK#	Description
1	F108-1897	Top cap, with hump
2	F823-8032	Rear Fascia, fan-cooled unit
3	F807-4882	Circuit breaker, 16 Amp
4, 8	F807-5111	Time/temperature switch
5	F807-4911	Power switch
6	F823-8031	Front Fascia, fan-cooled unit
7	F807-5112	Master display overlay with ribbon cable
9	F826-2781	Bezel, with boards, front with short ribbon cable
10	F108-2167	Base
11	F807-4857	Heater plate/RTD
12	F807-5508	Distribution board
13	F108-3357	Magnetic quick-reference card holder (natural convection units)
14	F108-1990	Side, 6-row, left, vented (cabinet with fans)
15	F108-1991	Side, 6-row, right, not vented (cabinet with fans)

UNIVERSAL HOLDING CABINET HD

18 Slot (FUHCHD6TP, FUHCHD6TT)



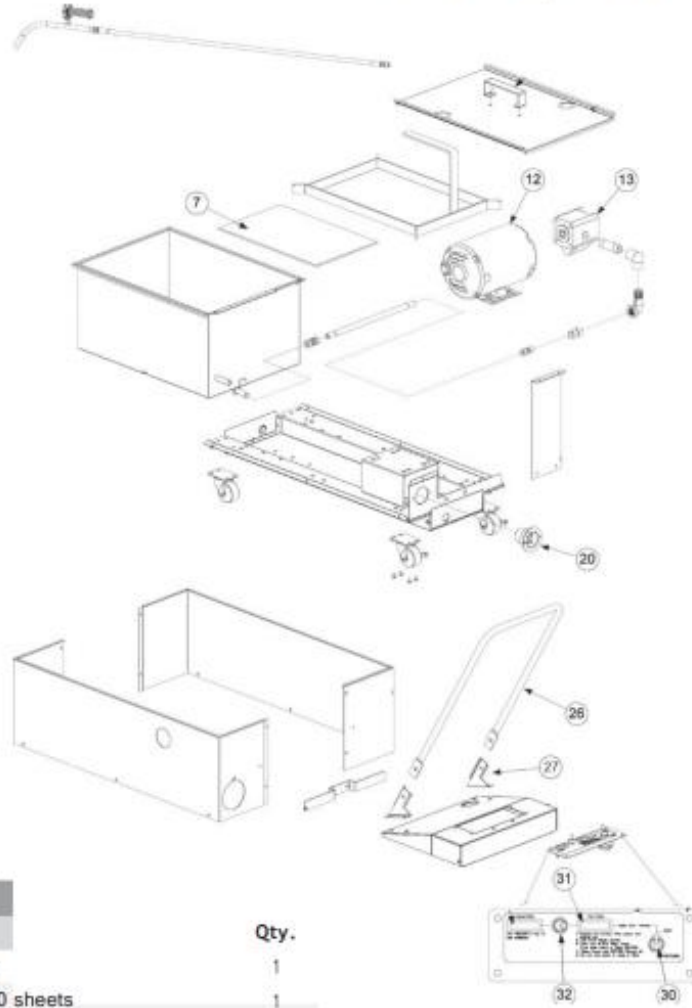
Component Shelf		
Item	HK#	Description
1	F807-5382	Master control board
2	F807-4951	LON board, domestic
3	F807-2665	Blower (not used in natural convection cabinets)
4	F406-0011	Line filter
5	F807-3490	Latching relay
6	F406-0010	Line filter board
7	F826-3262	Power supply (on right cabinet side in natural convection units)

Note: Power supply is on the lower right side of the natural convection unit.





PORTABLE OIL FILTER MPF50S (FMPF50S)



HK# MPF50 Portable Oil Filter

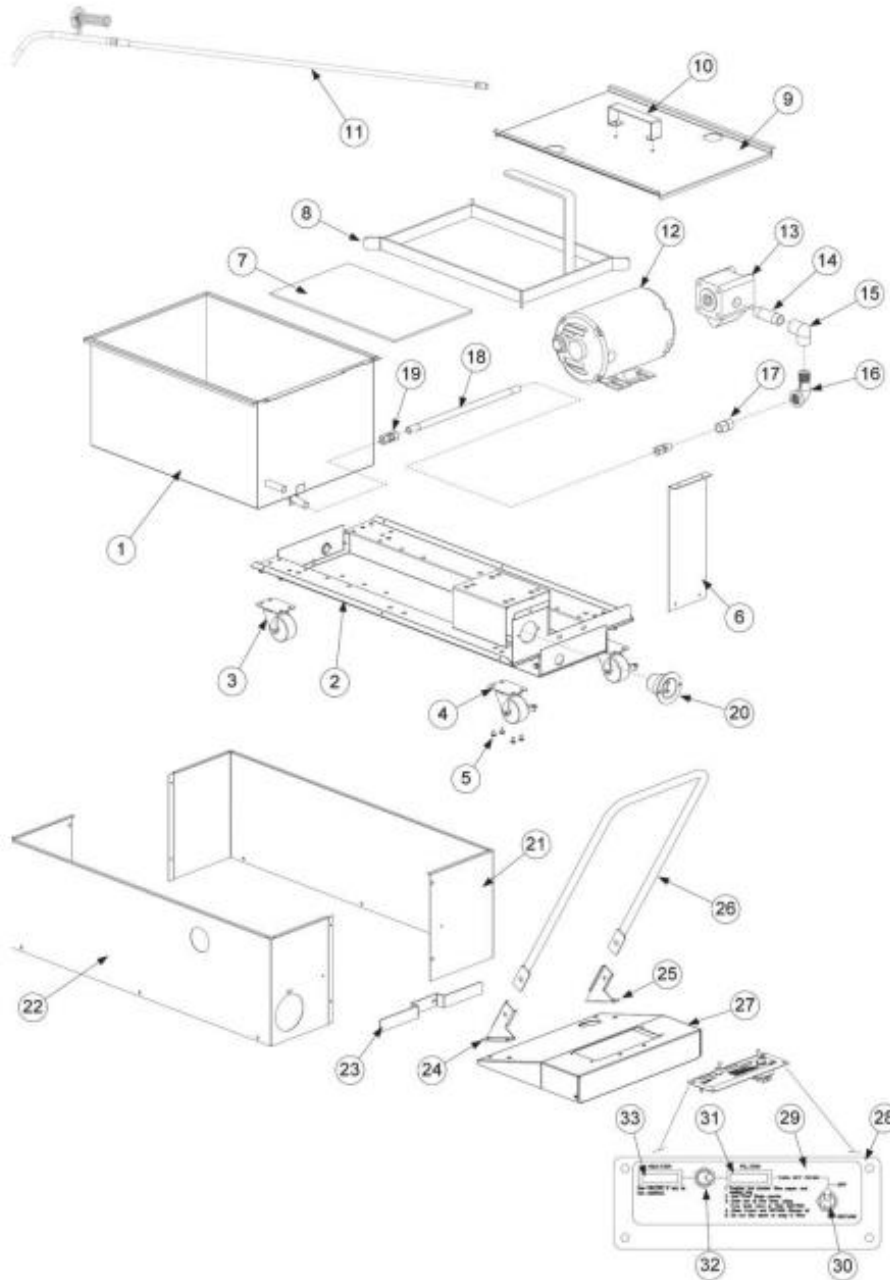
Item	HK#	Description	Qty.
7	F812-2300	Screen, filter paper support	1
*	F803-0003	Paper, Filter 17 3/4" x 12 1/2" 100 sheets	1
12	F826-1712	115V 60HZ 1/2 HP (includes motor and gasket)	1
13	F826-1264	Pump, filter - 4GPM (includes pump and gasket)	1
20	F807-1219	Receptacle, 115V 3-Wire (120V domestic units only)	1
26	F910-9169	Handle, portable filter	1
*	F826-1389	Bolt, 1/4-20 x 3/4" Hex head	10
27	F911-2616	Bracket for handle, left	1
	F912-2616	Bracket for handle, right	1
30	F807-1041	Switch, toggle, off-return	1
31	F807-1060	Light, indicator- red lens (filter indicator light)	1
32	F807-1041	Switch, toggle - 2-Way SPDT - All PF50	1

*Not shown



PORTABLE FILTRATION SYSTEMS

MPF50S (FMPF50S)





PORTABLE FILTRATION SYSTEMS

MPF50S (FMPF50S)



HK# FMPF50S Portable Filtration Systems		
Item	HK#	Description
1	F823-6231	Pan, filter
2	F806-F5223SP	Base assembly (includes items 3&4)
	F900-9542	Bracket, motor-mount - all MPF50S
	F900-1748	Brace, end-filter base
	F900-8585	Brace, rear cross - filter base
3	F810-2805	Caster, 2" swivel (without brake)
4	F810-2806	Caster, 2" swivel (with brake)
5	F809-0475	Screw - 10-32 x 5/16 Hex
6	F900-3751	Bracket, standoff
7	F900-8825	Screen, filter paper support
*	F803-0003	Paper, filter 17 1/4" x 12 1/2" 100 sheets
*	F803-0002	Powder, filter, 80 packets
8	F823-0889	Ring, hold-down
9	F230-2836	Lid, filter pan
*	F823-5950	Crumb basket
10	F810-3162	Handle, pan lid 802
*	F826-1379	Screw, #10 x 1/2" Phillips (lid handle), qty. 10
*	F809-0184	Washer, lock - #10 (lid handle)
*	F809-0020	Nut, cap - 10-24 (lid handle)
11	F106-7847	Complete hose/wand assembly
*	F810-3303	Hose
12		Motor, Filter Pump
	F826-1712 F826-1270	115V 60HZ 1/3 HP (includes motor & gasket) 230/240V 50/60HZ 1/3 HP (includes motor & gasket)
13	F826-1264	Pump, filter - 4GPM (includes pump & gasket)
14	F813-0265	Nipple, 1/2 x 2 1/2" NPT BM
15	F813-0062	Elbow, 1/2" NPT BM
*	F806-3844	Heater, strip, 120V 40W
*	F806-7435	Heater strip, 230/240V 70W

*Not shown

HK# FMPF50S Portable Filtration Systems		
Item	HK#	Description
16	F813-0165	Elbow, street - 1/2" NPT BM
17	F813-0022	Nipple, 1/2" x close NPT BM
18	F810-1435	Flexline, 1/2 x 12" s/s hose
19	F813-0545	Union, 1/2 x 1/2" flexline hose
20	F807-1219	Receptacle, 115V 3-wire (120V domestic units only)
*	F807-1224	Cord, power - 3-wire 115V
*	F807-4317	Cord, power - Euro 3-wire 230/240V
21	F910-8587	Panel, outer - left side
22	F910-8586	Panel, outer - right side
23	F910-3788	Holder, power cord
24	F912-2616	Bracket, handle - right
25	F911-2616	Bracket, handle - left
*	F826-1380	Screw, 1/4-20 x 1/2" slotted head (for handle bracket), qty. 5
26	F910-9169	Handle, portable filter
*	F826-1389	Bolt, 1/4-20 x 1/4" Hex head, qty. 10
*	F810-0219	Spacer, handle bolt
*	F809-0047	Nut, cap - 1/4-20 high profile s/s
27	F824-0403	Panel, control
28	F910-0982	Panel, switch
29	F802-1438	Label, switch plate
30	F807-1041	Switch, toggle, off-return
31	F807-1060	Light, indicator - red lens (filter indicator light) 120V
	F807-1086	Light, indicator - white lens (filter indicator light) 230/240V (Europe only)
32	F807-1041	Switch, toggle - 2-way SPDT - all PF50
33	F807-1061	Light, indicator - white lens (heater indicator light) 120V
	F807-1086	Light, indicator - white lens (heater indicator light) 230/240V (Europe only)

*Not shown

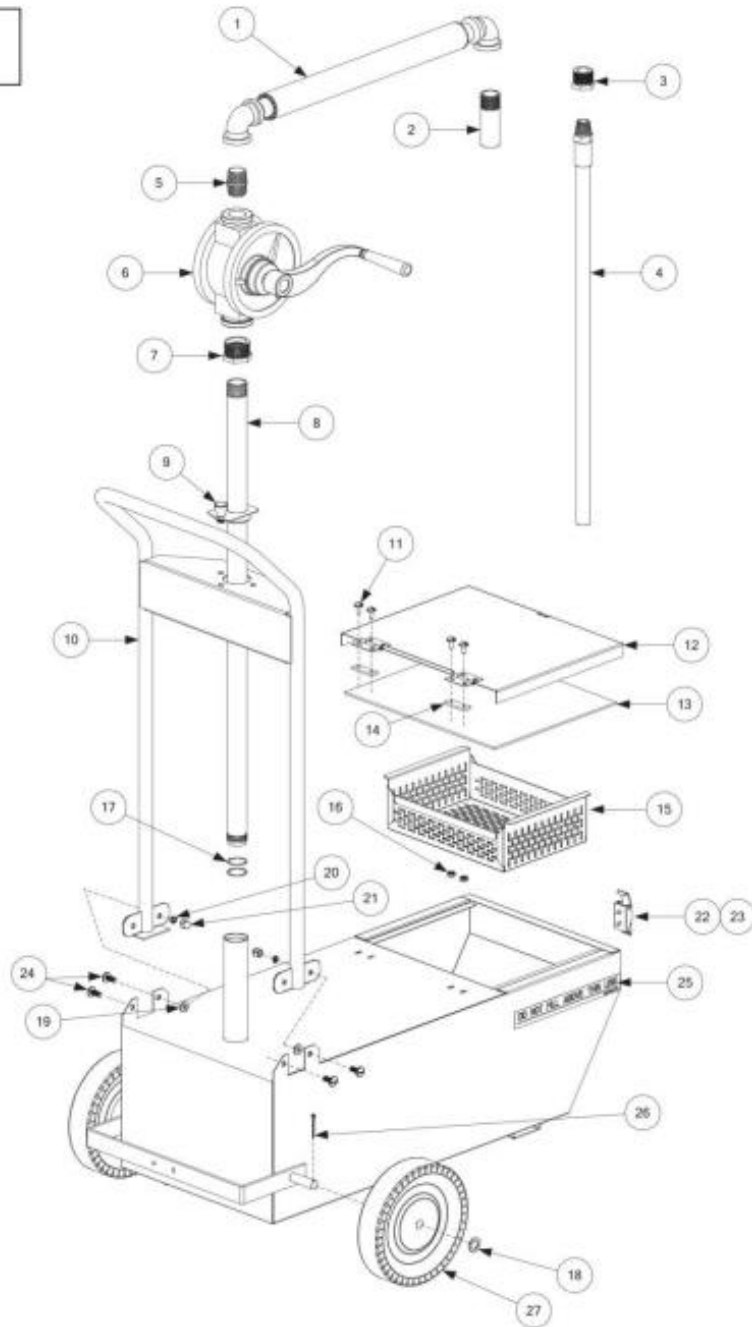


SHORTENING DISPOSAL SYSTEMS

PMSDU50 (FSDU50C)

FRYMASTER
A Weibull Brand

Units built prior to
February 2011





SHORTENING DISPOSAL SYSTEMS

PMSDU50 (FSDU50C)

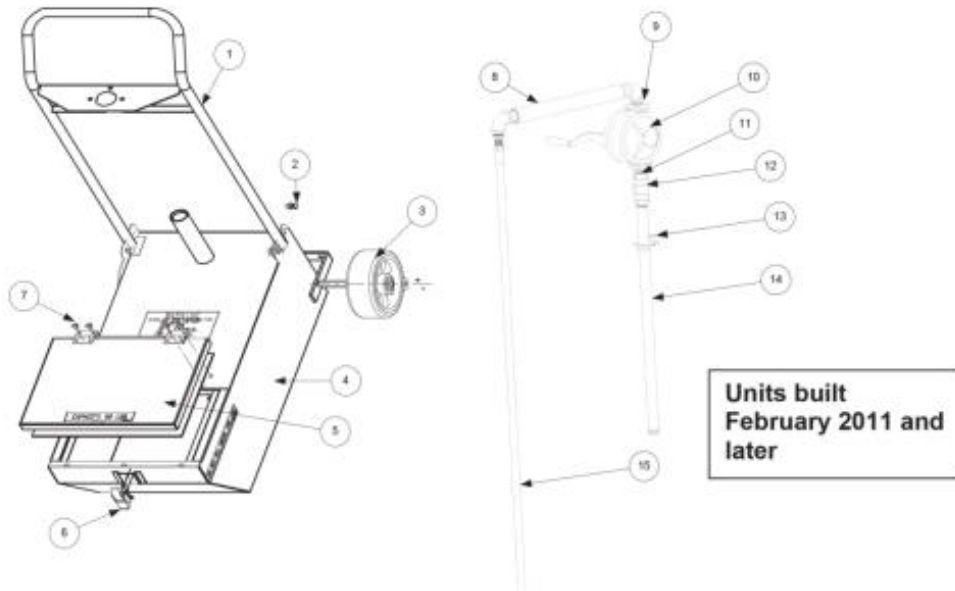
HK# FSDU50C Shortening Disposal Systems		
Item	HK#	Description
1	F823-4600 F823-4598	Pipe assembly, discharge Standard (includes item 2) For use with item 4 (hose discharge, includes item 3)
2	F813-0115	Nipple, 3/4" x 3" toe
3	F813-0031	Bushing 3/4" x 1/2"
4	F810-1845	Hose, 24" discharge (optional), use 810-2797 for 48" hose
5	F813-0109	Nipple, 3/4" x close
6	F810-0784	Pump (includes handle 810-0657, which may be ordered separately)
*	F826-1053	Kit, pump repair (includes two vanes, one spring, one rod, one gasket)
*	F826-2774	Check valve kit
*	F816-0401	Seal, pump shaft
7	F813-0032	Bushing, 1" x 3/4" Hex
8	F823-4581	Pipe assembly, suction
9	F810-0777	Pin, plunger
10	F823-2038	Handle assembly
11	F809-0119	Screw, 10-32 x 1/2" slotted head
12	F823-1683SP	Cover and hinge assembly (does not include gasket [item 13])
13	F816-0134	Gasket, cover (attach with 3M 1300L adhesive or equivalent)
14	F816-0133	Gasket, cover hinge
15	F824-0438	Screen, crumb
16	F826-1376	Nut, 10-32 Keps Hex, 10/pk.
17	F816-0132	O-Ring, suction pipe assembly (2 required)
18	F809-0200	Washer, wheel 1/2" SAE
19	F809-0193	Washer 1/4" nylon flat
20	F809-0191	Lock washer, 1/4"
21	F809-0047	Nut, 1/4-20 s/s cap
22	F810-0742	Latch, tank cover
23	F809-0359	Screw, #8 x 1/4"
24	F809-1001	Screw, 1/4-20 x 1/2" slotted head
25	F802-0227	Label, fill line
26	F810-0783	Cotter pin, wheel
27	F810-1112	Wheel, 7" x 1 1/2"
*	F815-0661	Adhesive, 3M, 1300L
*	F815-0565	Grease, Accrolube with Teflon

*Not shown



SHORTENING DISPOSAL SYSTEMS

PMSDU50 (FSDU50C)



HK# FSDU50C Shortening Disposal Systems		
Item	HK#	Description
1	F823-2038	Handle
2	F809-1001	Screw, ¼-20 x ½
*	F809-0193	Handle flat washer, nylon, ¼
*	F809-0047	Handle cap nut, ¼ x 20
3	F810-3784	Wheel, 6" x 2"
*	F809-0200	Wheel, washer ½"
*	F810-0783	Wheel, cotter pin
4	F823-4580SP	Tank assembly
*	F108-0705	Crumb tray
5	F823-1683	Tank cover and hinge
*	F816-0134	Cover gasket
*	F816-0133	Hinge gasket
6	F810-0742	Latch
*	F809-0359	Latch screw, #8 x ½

*Not illustrated

HK# FSDU50C Shortening Disposal Systems		
Item	HK#	Description
7	F809-0119	Screw, 10x32 x ½
8	F823-4600	Discharge pipe, no hose
*	F823-4598	Discharge pipe for 24", 48" hose unit
9	F813-0109	Nipple, ¼ NPT x close
10	F810-0784	Pump
11	F813-0032	Bushing, hex 1/3/4
12	F810-3858	Check valve, ¼"
13	F810-0777	Spring-loaded plunger pin
14	F823-7849	Suction pipe
*	F816-0132PK	Suction pie o-ring, 5/pk.
15	F810-2797	48" hose
*	F810-1845	24" hose

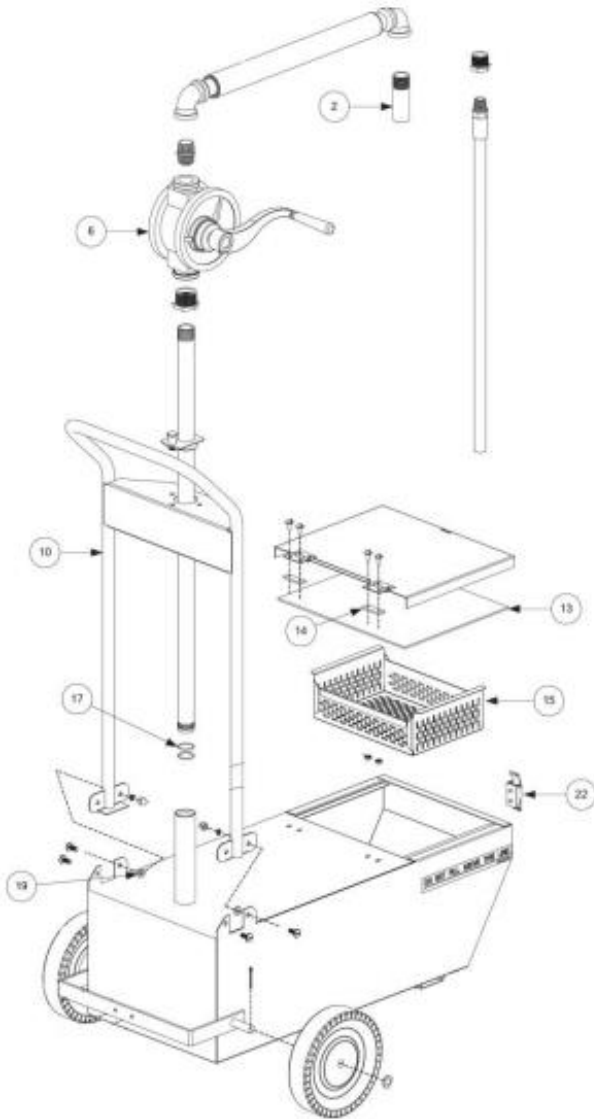
*Not illustrated



FRYMASTER
A Welbilt Brand

SHORTENING DISPOSAL UNIT

PMSDU50 (FSDU50C)



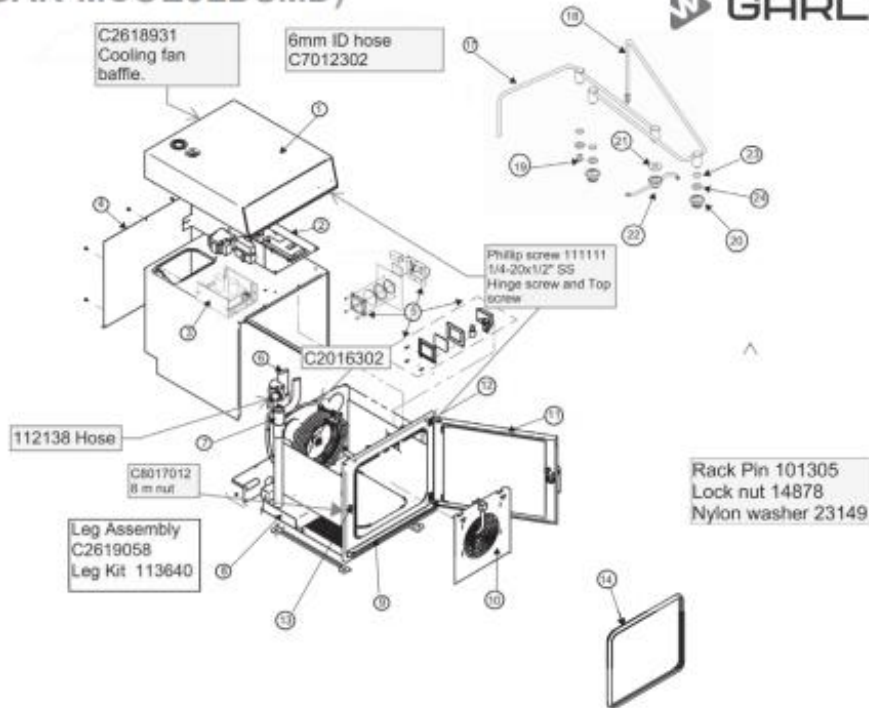
HK# FSDU50C Shortening Disposal Unit

Item	HK#	Description
2	F813-0115	Nipple, 1/4" x 3" toe
6	F810-4291	Pump (includes handle 810-0657, which may be ordered separately)
*	F826-1053	Kit, pump repair (includes two vanes, one spring, one rod, one gasket)
10	F823-8879	Handle assembly
13	F816-0134	Gasket, cover (attach with 3M 1300L adhesive or equivalent)
14	F816-0133	Gasket, cover hinge
15	F823-8883	Screen, crumb
17	F816-0132	O-Ring, suction pipe assembly (2 required)
19	F809-0193	Washer, 1/4" nylon flat
22	F810-0742	Latch, tank cover

*Not shown

CONVECTION OVEN

MCOE5LDSMD (GAR-MCOE5LDSMD)



HK# GARMCOE5LDSMD Convection Oven			
Item	HK# -6,10 mini	HK# -3,10	Description
1	GARC2126273	GARC113324	Control panel housing easy touch
1	GARC2123621	GARC112760	Control panel housing standard
2	GARC5118285	GARC5118285	Electrical component panel
3	GARC300770	GARC300770	A.C. Drive
4	GARC2118374	GARC2118374	Rear sheeting
5	GARC2625905	GARC2614841	Light Assembly
6	GARC2016300	GARC2016300	Humidity control assembly
7	GARC2016259	GARC2016259	Condenser box vent
8	GARC2012155	GARC2012150	Condenser box
9	GARC2018008	GARC2018008	Drip tray
10	GARC113285	GARC2219074	Intake panel
11	GARC2528060	GARC2518350	Door assembly, RH
11	GARC2528062	N/A	Door assembly, LH
12	GARC2017108	GARC2524048	RH door hinge upper/lower
12	GARC2017125	GARC2524048	LH door hinge upper/lower

*Not shown

HK# GARMCOE5LDS D Convection Oven			
Item	HK# -6,10 mini	HK# -3,10	Description
13	GARC6012032	GARC2518778	Door catch
14	GARC7011060	GARC7011060	Gasket
15*	GARC113376	GARC112748	Pan rack assy left
16*	GARC113374	GARC112747	Pan rack assy right
17	GARC113288	GARC113288	Cleaning chemical pipe
18	GARC113290	GARC113290	Rinse water pipe
19	GARC6005412	GARC6005412	Nozzle
20	GARC2611010	GARC2611010	Rinse nozzle
21	GARC2628747	GARC2628747	Washer
22	GARC2625800	GARC2625800	Wash arm assy
23	GARC6005055	GARC6005055	Gasket
24	GARC6005409	GARC6005409	Nut
28	GARC-MKC4520416	N/A	High limit 135F degree
31	GARC-MKC301046	N/A	Switch-mini snap hi-temp 1 Amp.

*Not shown



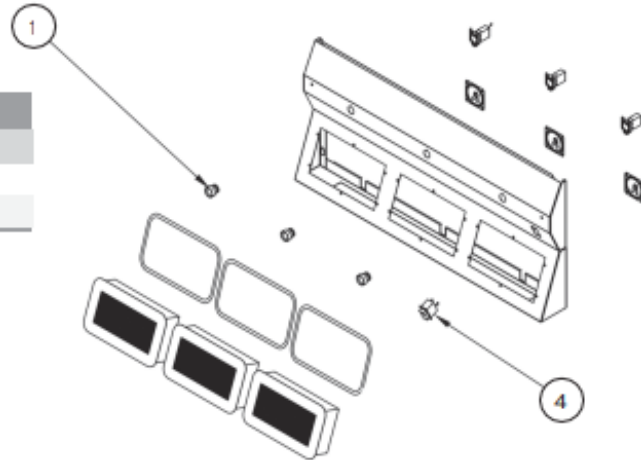
GAS + ELECTRIC 3 PLATEN CLAMSHELL GRILL



MWE3W, MWE3S, and MWG3W

Control Panel for Gas & Electric Models

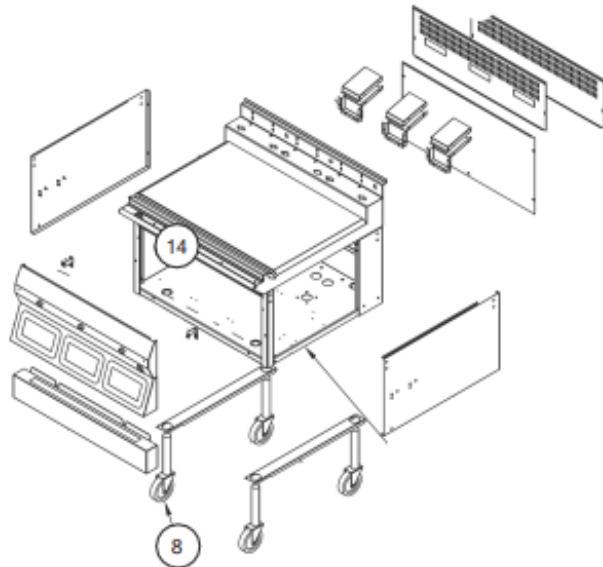
Item	HK#	Description
1	MKCG1859605	Cancel push button, green
4	MKCG1872404	Power switch - red - 120v



Control Panel for Gas & Electric Models

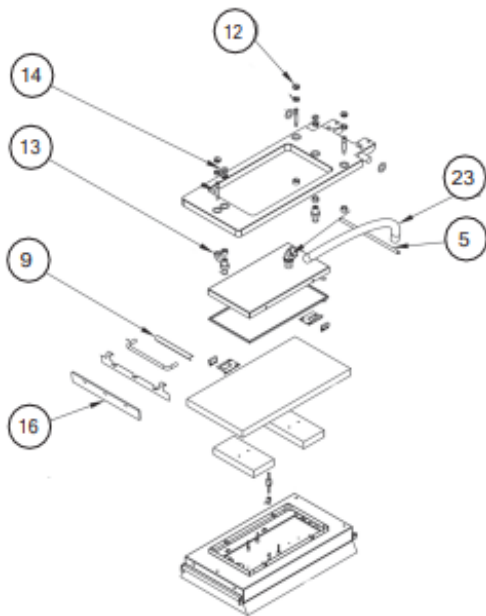
Item	HK#	Description
8*	MKCG1792003	5" Rear non-swivel caster
	MKC4517563	5" Front swivel caster
14*	MKCG1808302	Towel bar

*Castors for Models MWE-9501, MWEF-9501, MWEH-9501, MWG-9501, MWGF-9501, MWGH-9501



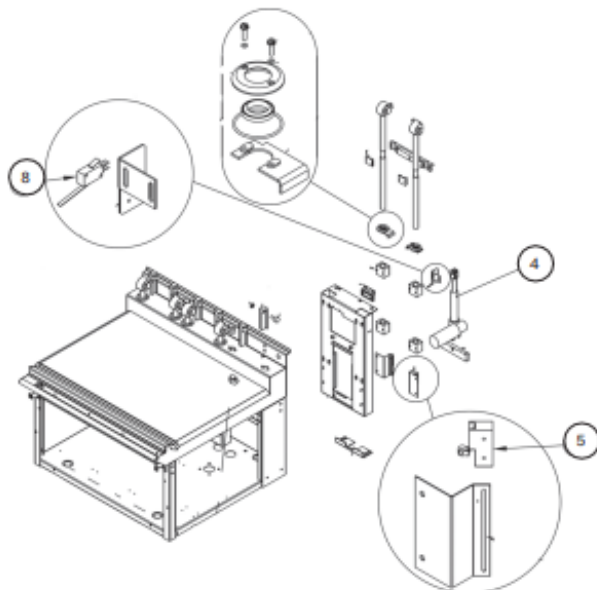
GAS + ELECTRIC 3 PLATEN CLAMSHELL GRILL

MWE3W, MWE3S, and MWG3W



Grill Upper Platen Assembly for Gas & Electric Models

Item	HK#	Description
5	MKC4521355	Teflon bar, rear
9	MKC4527294	Teflon sheet clip
12	MKCG1859102	Platen adjuster cap
13	MKC1859101	Platen adjuster nut
14	MKC4530206	Platen adjuster lock nut
16	MKC4523424	Sheet, Platen guard
23	MKC1854403	ATX-11 conduit black



Grill Platen Lifting Mechanism for Gas & Electric Models

Item	HK#	Description
4	MKC4530036	Linear actuator
6	MKCG1855601	Stop limit switch
8	MKCG1855604	Limit switch (kill)

GAS GRILL



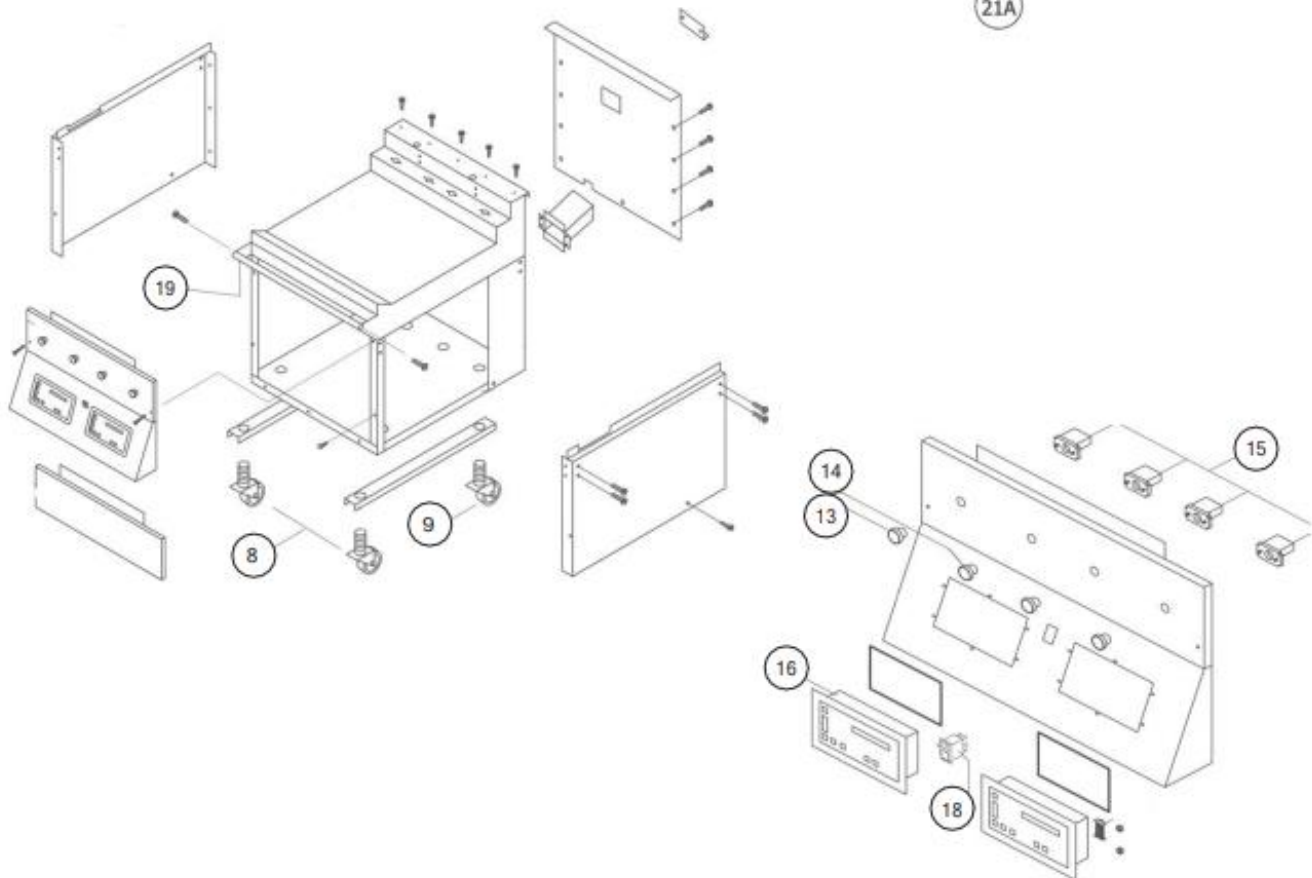
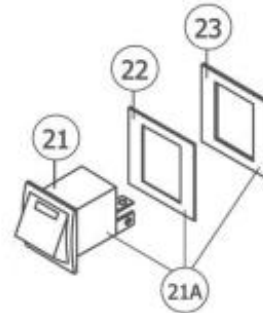
MWG-9501, MWGH-9501, and MWGF-9501

Exterior

Item	HK#	Description
8	MKCG1792004	Caster with verti-loc brake
9	MKCG1792003	Caster with poly. core
13	MKC4524675	Cancel push button (green)
14	MKC4524674	Standby push button (black)
15	MKC4524676	Contact block
16	MKCG1792301	Grill controller
18	MKCG1872404	Main power switch
19*	MKCG1808302	Towel bar - full size
21	MKCG1872400	Main power switch
21A	MKCCK98-002	Main power switch kit
23	MKCG1872502	Main power switch

*For Models MWG-9501 & MWGF-9501 only

Alt. Main Power Switch Assy.
Use PRIOR to 0207CL0070



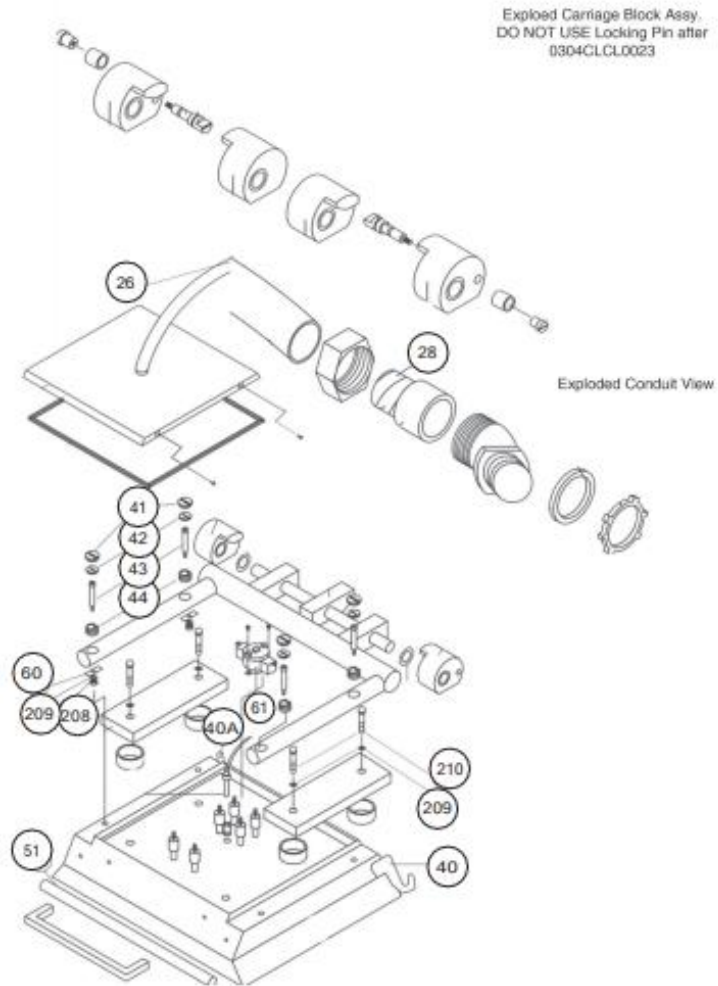
GAS GRILL

MWG-9501, MWGH-9501, and MWGF-9501



Upper Platen Assembly

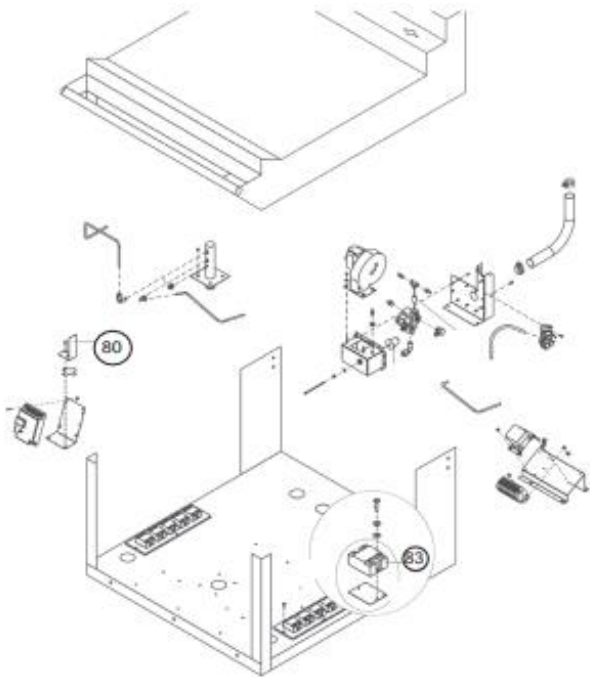
Item	HK#	Description
26	MKCCK1854403	ATX Conduit
28	MKC1854506	Conduit metal clad sleeve
40	MKC1858305	Teflon bar clip (right)
40A	MKC1858304	Teflon bar clip (left)
41	MKCG1859102	Platen adjuster cap
42	MKC4530206	Platen adjuster lock nut
43	MKC8005401	Shoulder bolts
44	MKC1859101	Platen adjuster nut
51	MKCG1853701	Teflon sheet front rod
60	MKCG1858307	Platen cover bracket
61	MKC1781301	High limit
208	MKC8001207	Hex nut 1/4-20 Lock Nut
209	MKC8000206	5/16 Lock Washer
210	MKC8003424	MS HH 1/4-20 X 2



GAS GRILL



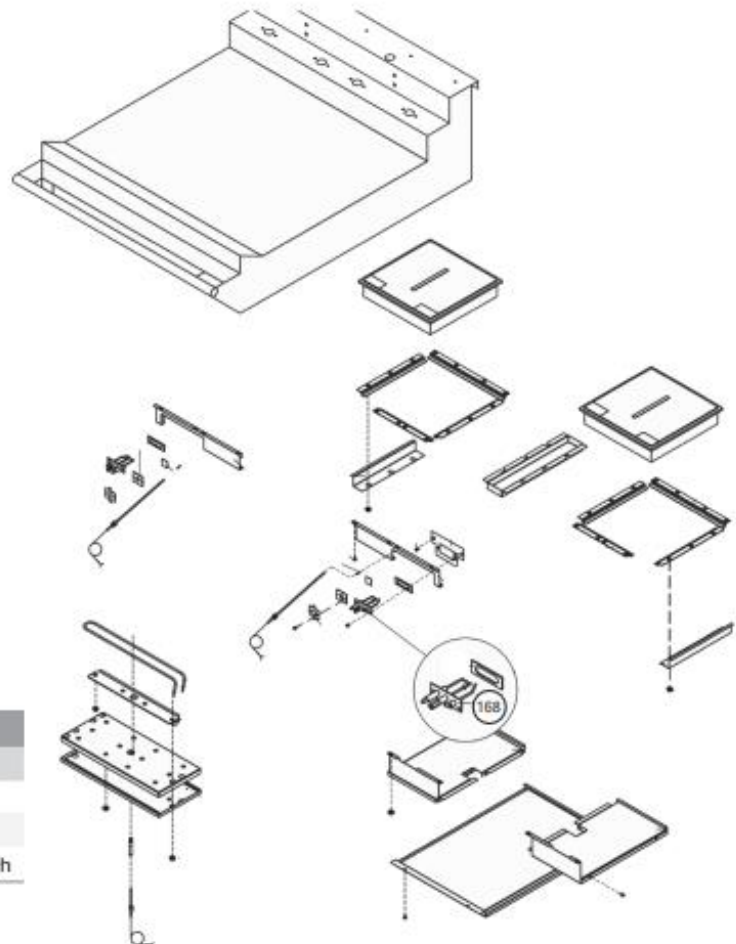
MWG-9501, MWGH-9501, and MWGF-9501



HK# MWG-9501, MWGH-9501 & MWGF-9501 Gas Grill

Item	HK#	Description
80*	MKCG1838701	Gapping tool
83	MKCG1811901	Solid state relay

*For Models MWG-9501 & MWGH-9501 only



Interior Grill

Item	HK#	Description
168	MKCG1864601	Igniter (Nat)
*	MKCG1859807	Harness - Platen
*	MKCG1859833	Harness - main power switch

*Not shown



GAS GRILL

MWG-9501, MWGH-9501, and MWGF-9501

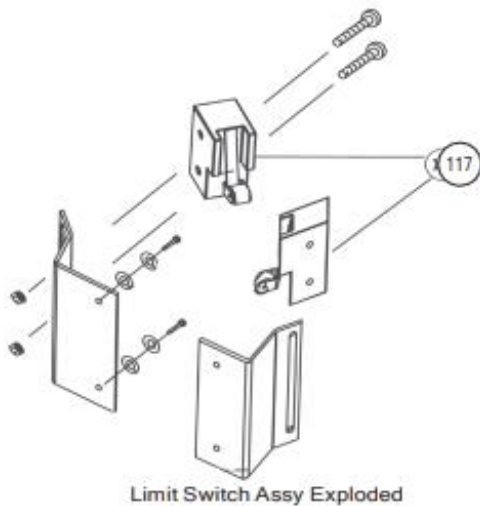
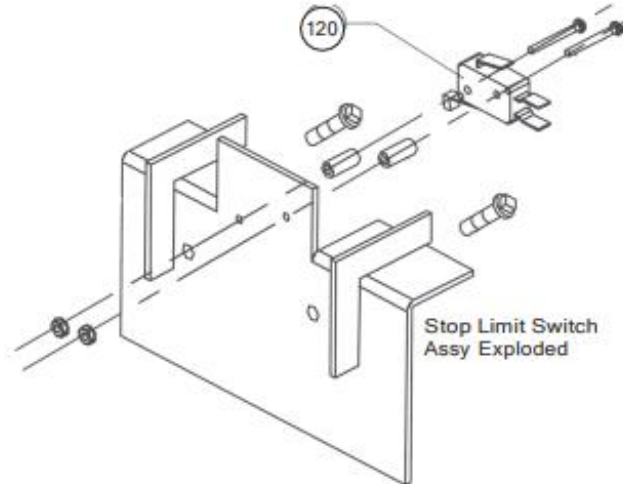


HK# MWG-9501, MWGH-9501 & MWGF-9501 Gas Grill

Item	HK#	Description
94A	MKCG1863398	Seal cap retaining bracket
95A	MKCG1863399	Seal cap retaining bracket
101	MKCG1812401	Linear actuator
117**	MKCG1855601	Limit switch
120**	MKCG1855604	Limit switch
209**	MKC8000206	5/8 Lockwasher
210**	MKC8003424	MS HH 1/4-20 X 2
*	MKCG1859807	Harness - Platen
*	MKCG1859833	Harness - main power switch

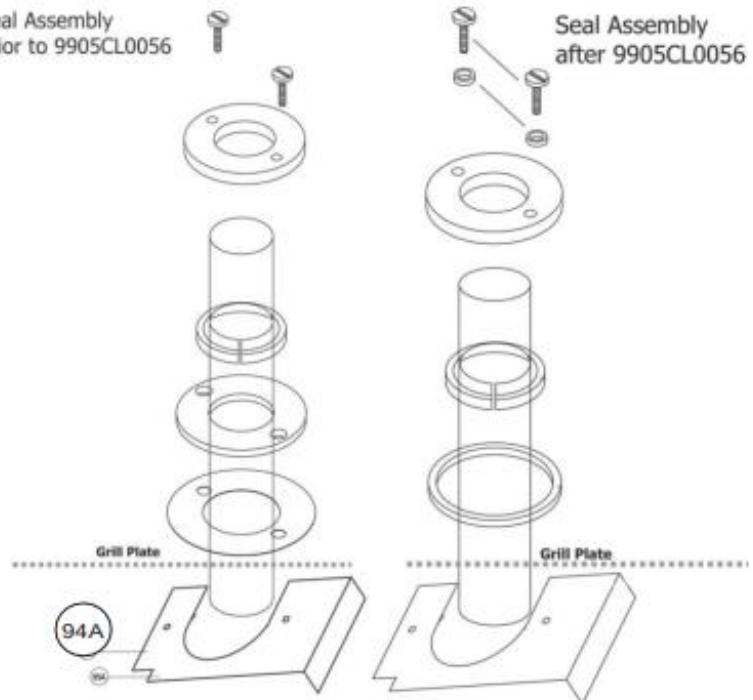
*Not shown

**For Models MWG-9501 & MWGH-9501 only



Seal Assembly
Prior to 9905CL0056

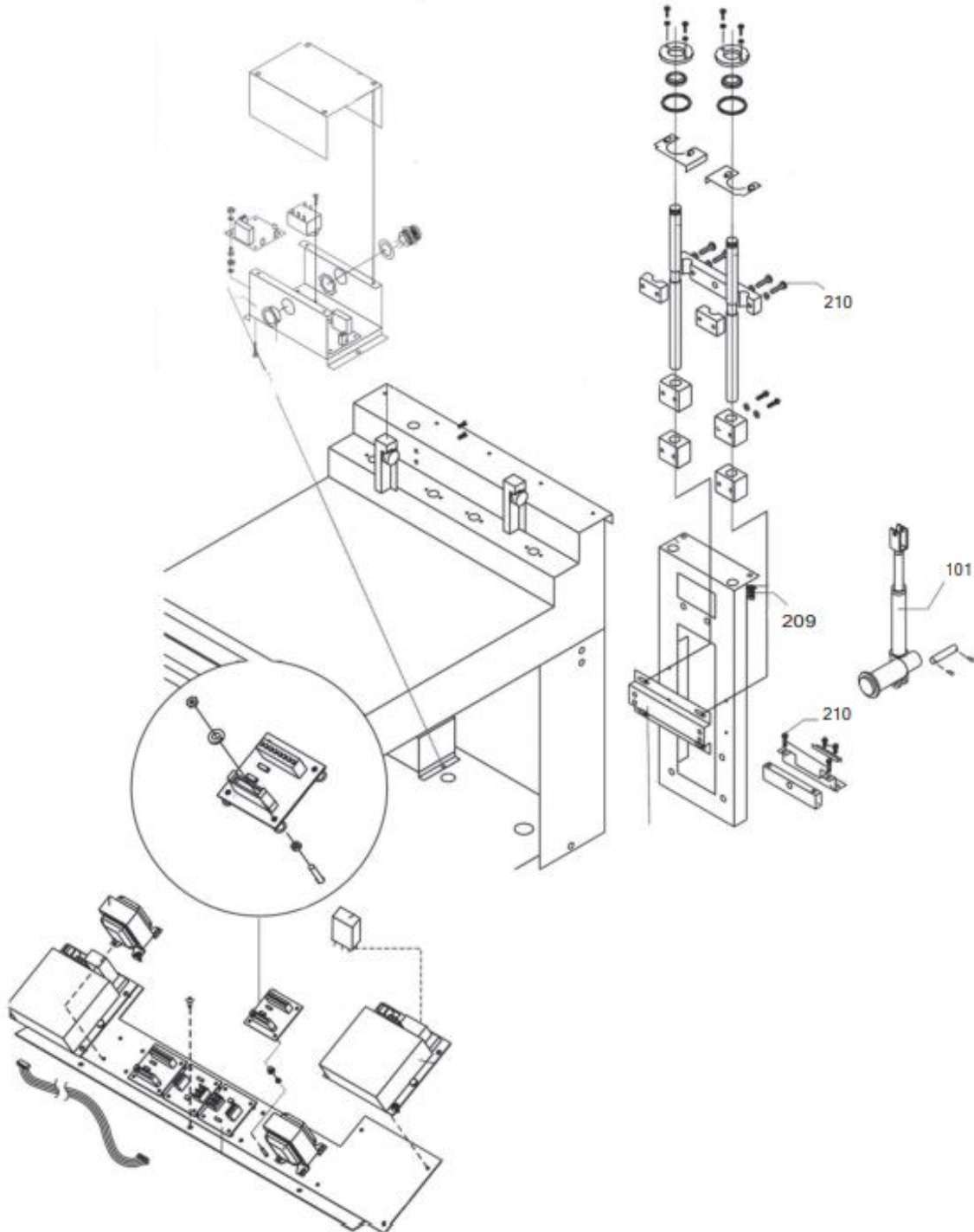
Seal Assembly
after 9905CL0056



GAS GRILL

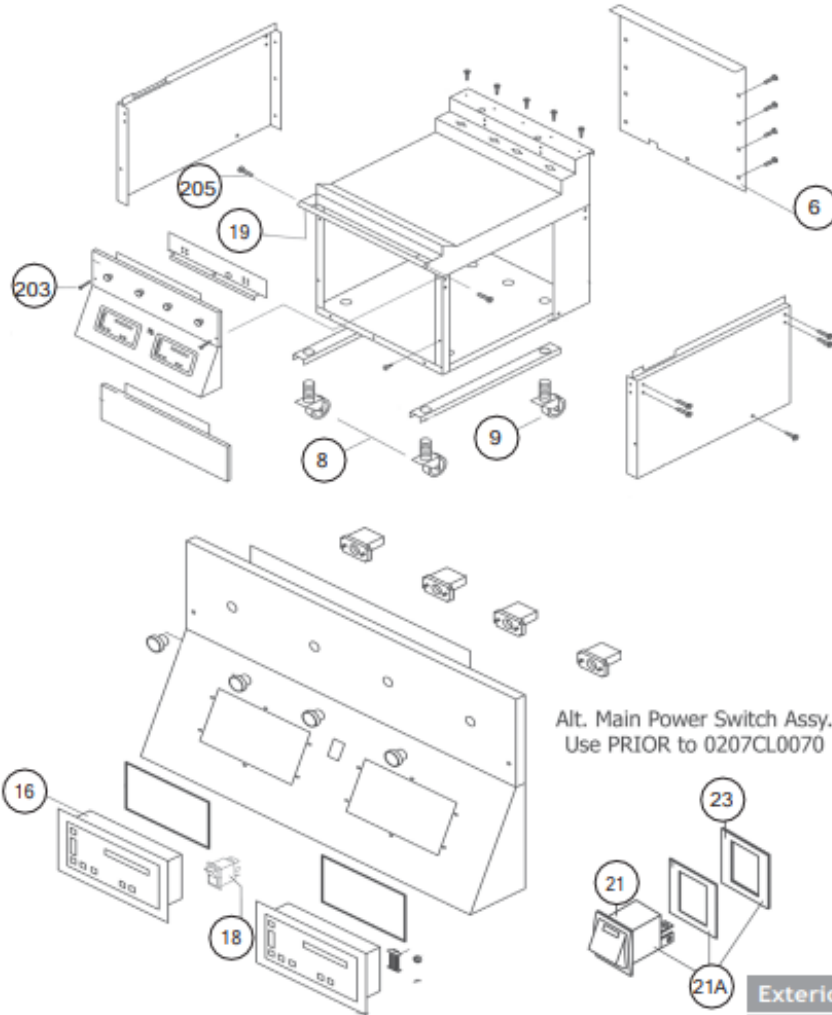


MWG-9501, MWGH-9501, and MWGF-9501



ELECTRIC GRILL

MWE-9501, MWEH-9501, and MWEF-9501



Exterior & Control Panel Assembly

Item	HK#	Description
6*	MKCG1852901	Body side cover BACK
8	MKCCK4527429	Caster with Verti-Lock brake
9	MKCG1792003	Caster with poly. core
16	MKCG1792301	Grill controller
18	MKCG1872404	Main power switch
19*	MKCG1808302	Towel bar - full size
21	MKCG1872400	Main power switch
21A	MKCCK98-002	Main power switch kit
23	MKCG1872502	Main power switch bezel gasket
203	MKC8002110	SMS TH PHIL A 10-32 X 2
205	MKC8003126	1/4"-20 x 1-1/4" MS TH SL s/s

* For Models MWE-9501 & MWEF-9501 Only

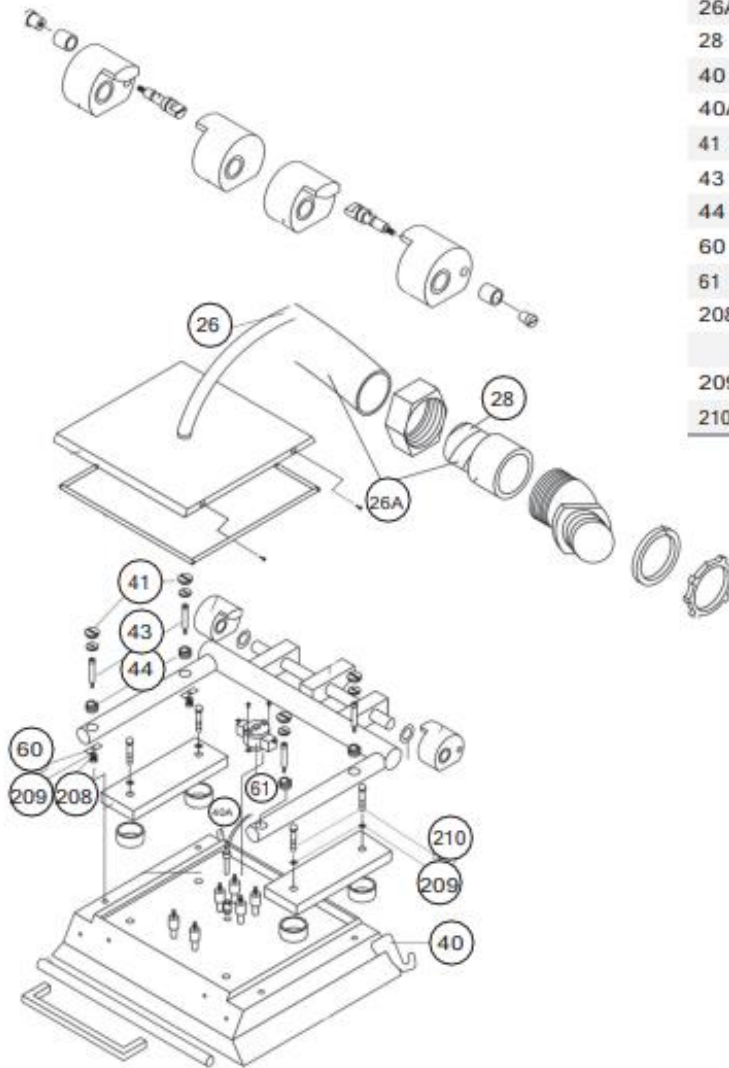
** For Model MWEH-9501



ELECTRIC GRILL



MWE-9501, MWEH-9501, and MWEF-9501



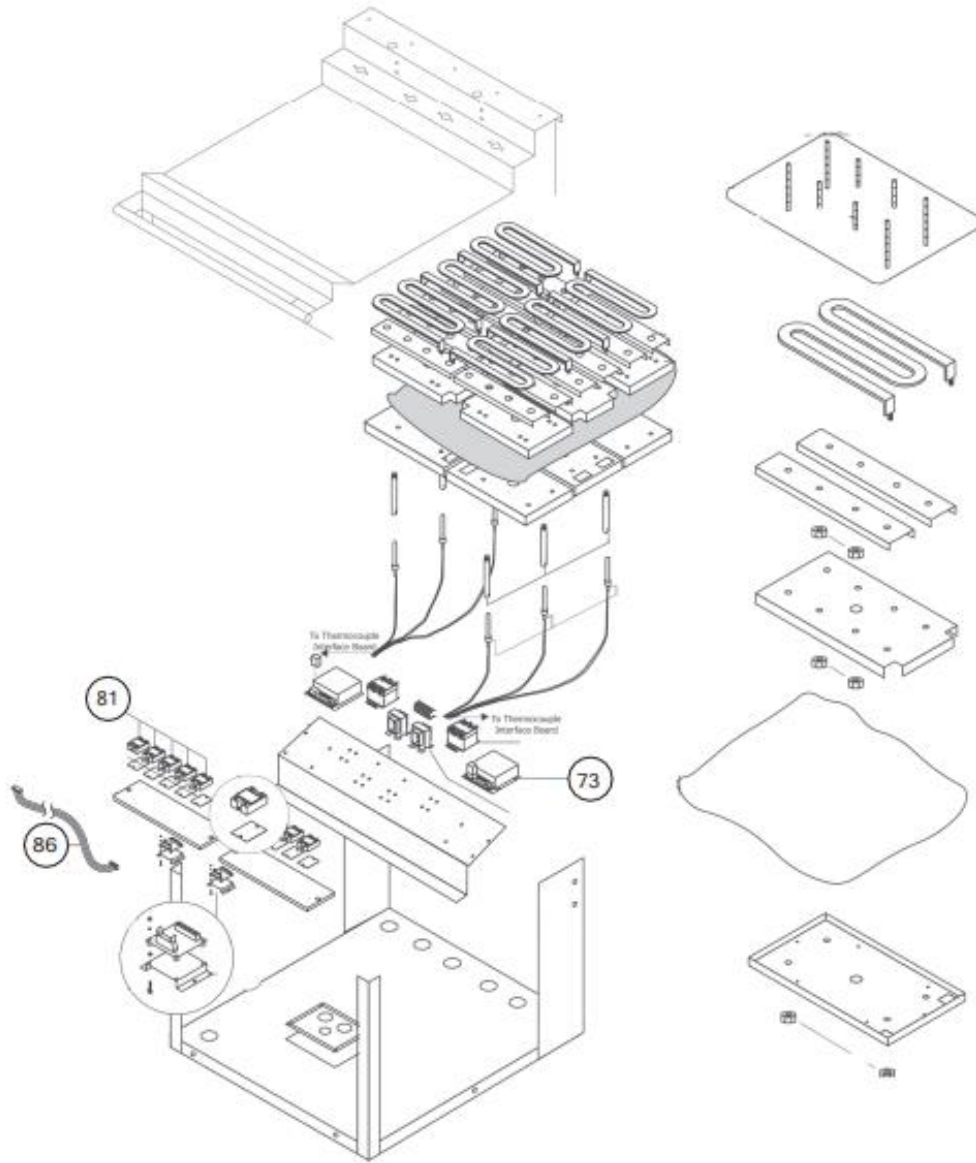
Upper Platen Assembly

Item	HK#	Description
26	MKC1854403	ATX Conduit
26A	MKCCK1854403	ATX Conduit repair kit
28	MKCG1854506	Conduit metal clad sleeve
40	MKC1858305	Teflon bar clip (right)
40A	MKC1858304	Teflon bar clip (left)
41	MKCG1859102	Platen adjuster cap
43	MKC8005401	Shoulder bolts
44	MKC1859101	Platen adjuster nut
60	MKCG1858307	Platen cover bracket
61	MKC1781301	High limit
208	MKC8001207	Hex nut 1/4-20 Lock nut
209	MKC8000206	5/16 Lock washer
210	MKC8003424	MS HH 1/4-20 x 2



ELECTRIC GRILL

MWE-9501, MWEH-9501, and MWEF-9501

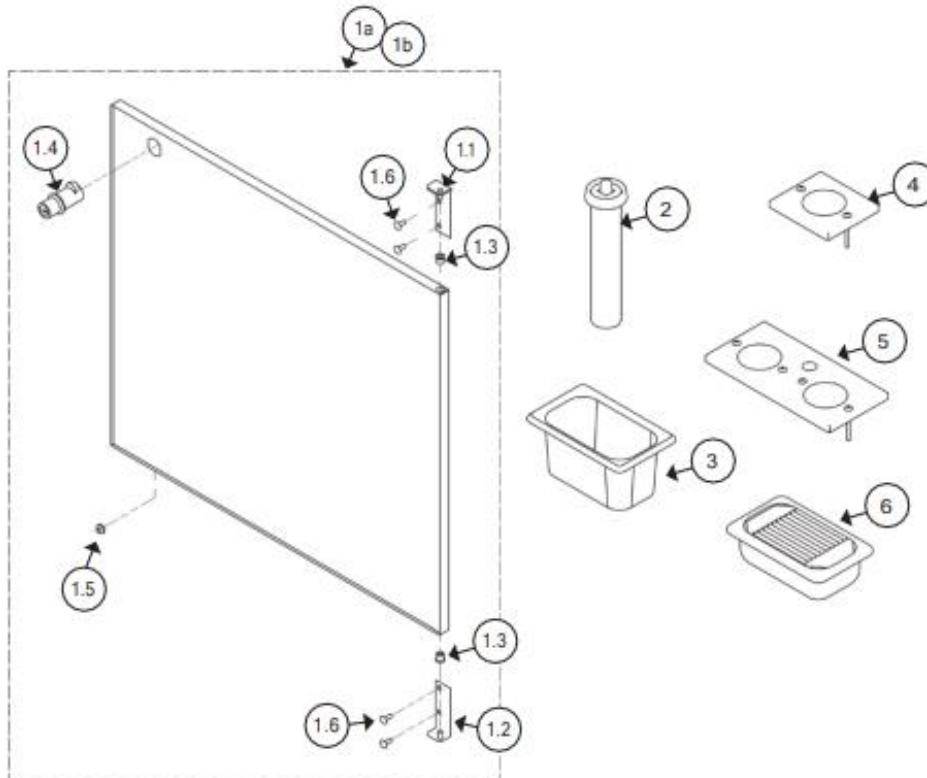


Interior Grill Assembly		
Item	HK#	Description
73*	MKC4521623	Motor speed controller
81	MKCG1811901	Solid state relay
86	MKCG1792304	Ribbon cable

*For Models MWE-9501, MWEH-9501, MWE-9801 & MWEH-9801 only



BEVERAGE BARS



Applies To All Custom Beverage Bars		
Item	HK#	Description
1a	SB800-03A	Door kit, for laminate (laminite not included)
1b	SB800-04A	Door kit, s/s
1.1	SB800.05A	Upper hinge
1.2	SB800.06A	Lower hinge
1.3	F-11-28-1	Bearing
1.4	H-1-61	Slam latch
1.5	H-4-17	Bumper
1.6	F-18-19-1	Screw, 10-32 x 1/2"
2	DIV-SFL-1S	Souffle dispenser
3	SB800-45A	Trash chute
4	SB800-41A	Cap, single souffle
5	SB800-42A	Cap, double souffle
6	SB800-46A	Drip pan w/ grate

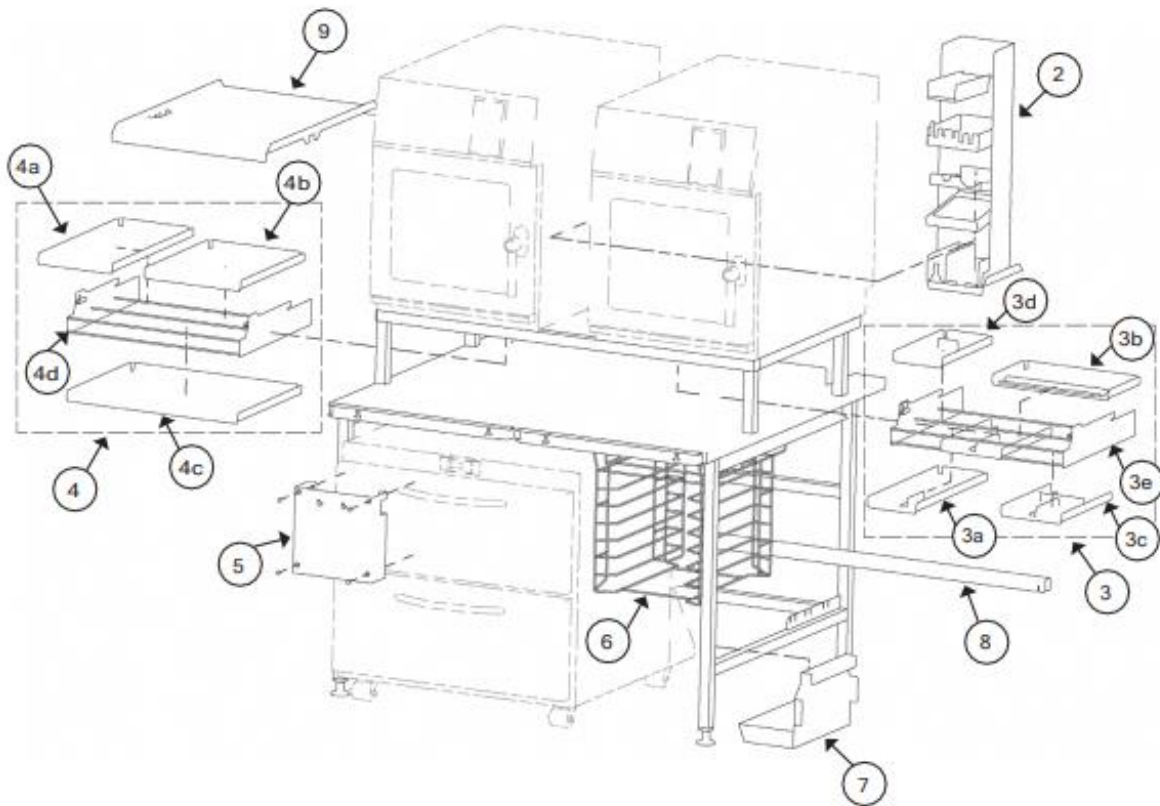
COMBI CELL

86049



HK# 86049 Combi Cell

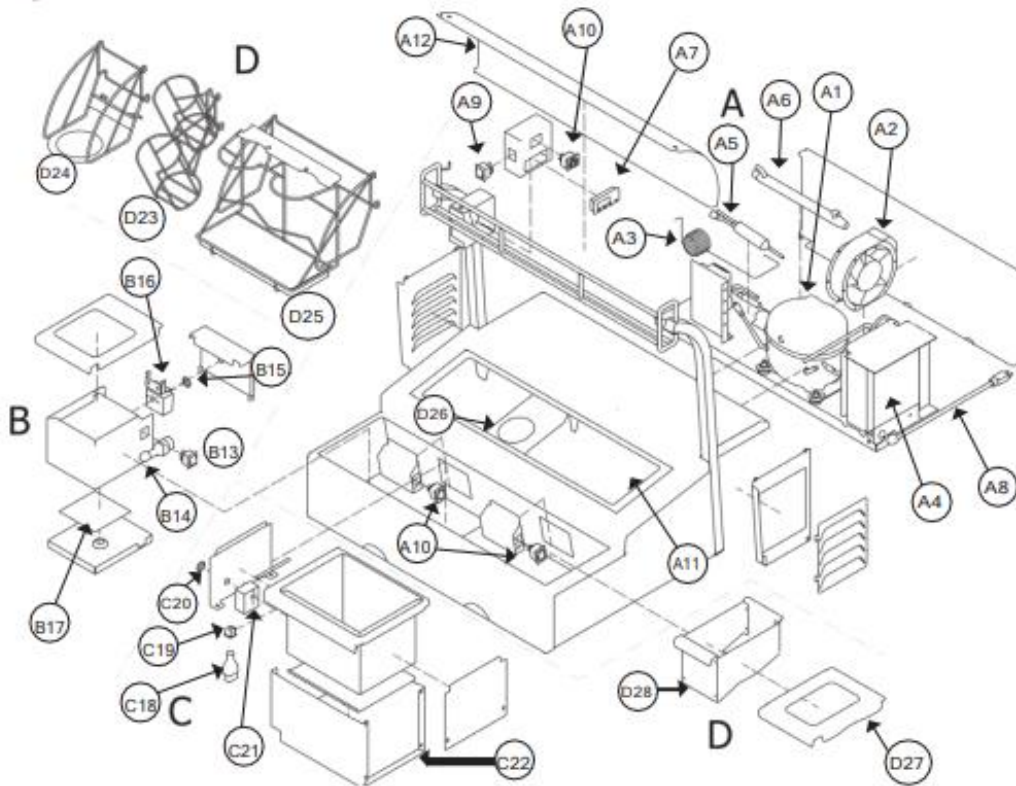
Item	HK#	Description	Qty.
1	86049.12A.001	Tray clip	2
2	86049.18A	Tool tower	1
3	86049.23C	Hanging shelf, RH	1
3a	86049.23C.004	UHC Tray liners	1
3b	86049.23E	Super spat	1
3c	86049.23D	Pie boxes	2
3d	86049.23C.001	Cookie sleeve	1
3e	86049.23A	Frame	1
4	86049.23B	Hanging shelf, LH	1
4a	86049.23B.001	Baking liner small	1
4b	86049.23B.002	Baking liner medium	1
4c	86049.23B.003	Baking liner large	1
4d	86049.23A	Frame	1
5	86049.21A	Oven mitt/glove holder	1
6	H-18-075	Tray rack, hanging	1
7	86049.24A	Cleaning solution shelf	1
8	86049.00A.003	Standoff	1
9	86049.20A.001	Q-ing oven shelf	1





FINISHING STATION

82138.01E



HK# 82138.01E Finishing Station

Item	HK#	Description
A1	P-1-307	Compressor
A2	E-6-023	Condenser fan
A3	P-2-7-1 (100")	Capillary tube
A4	E-6-11-26	Condenser coil
A5	P-1-24-2	Dryer
A6	P-1-29-1	Heat exchanger
A7	G-R02043	Controller (includes display and 2 probes)
A8	E-10-12-8	Power cord
A9	E-1-19-11	Power switch
A10	E-01-57	Accessory power receptacle
A11	82138.01E.29A	Refrigerator template
A12	82138.00A.013	Beauty panel
B	85165	Cone dip warmer (complete)
B13	E-1-19-11	Power cord
B14	E-10-9-13	Accessory power cord

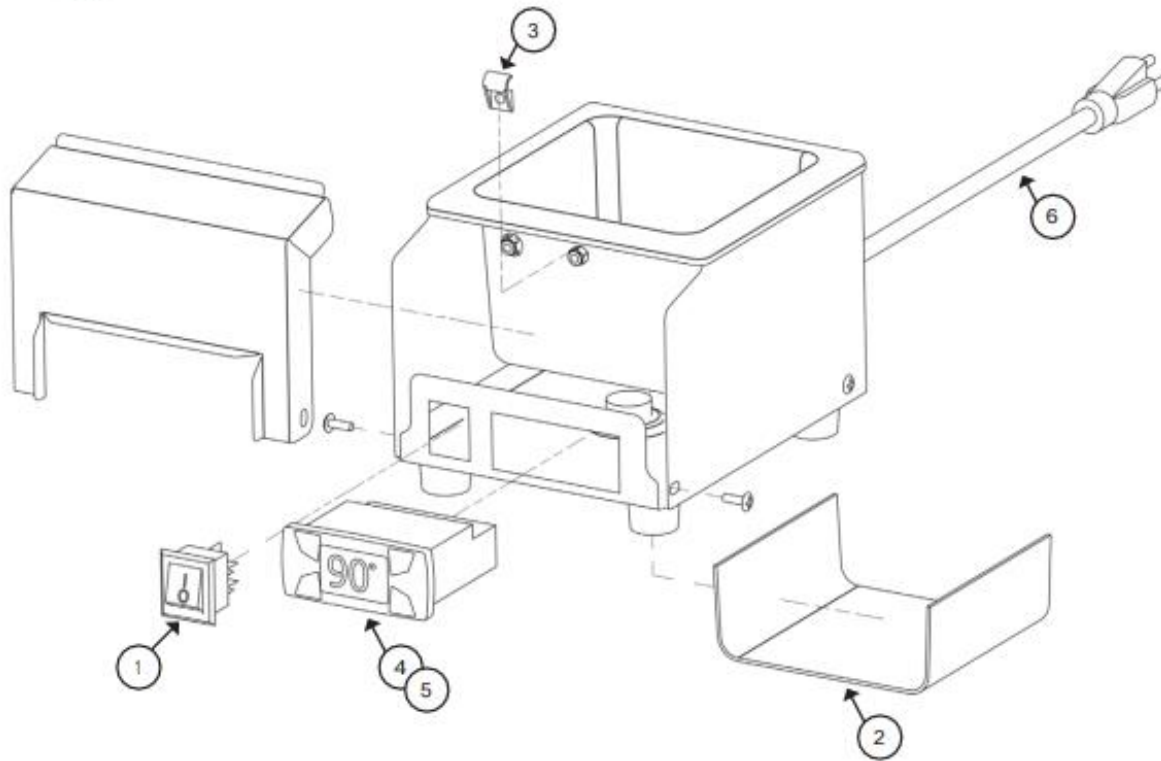
HK# 82138.01E Finishing Station

Item	HK#	Description
B15	E-8-43-11	Plug, removable
B16	P-1-18-12	Thermostat, adjustment
B17	G-2-099-1	Foil heater 24w
C	84237.01E	Pump heater (Complete)
C18	E-10-9-13	Accessory power cord
C19	E-8-32-1	Strain relief
C20	E-8-43-11	Plug, removable
C21	P-1-18-12	Thermostat, adjustment
C22	G-2-099	Foil heater 98w
D23	H-18-345	Lid holder
D24	H-18-348	Blender brkt (Mermin)
D25	H-18-354	Candy dispenser (Taylor)
D26	82138.23E	Whip cream holder
D27	82138.41A	Template, 1 st pan
D28	82138.22B	Bracket, drizzle holder



CONE DIP WARMER

85191



HK# 85191 Cone Dip Warmer		
Item	HK#	Description
1	E-1-19-11	Switch, on/off
2	G-2-097-1	Heater, 120v, 24w
3	H-1-58-2	Probe clip
4	P-1-18-13	Controller
5	P-1-18-14	Probe/sensor
6	E-10-12-8	Power cord





FREEZER/REFRIGERATOR

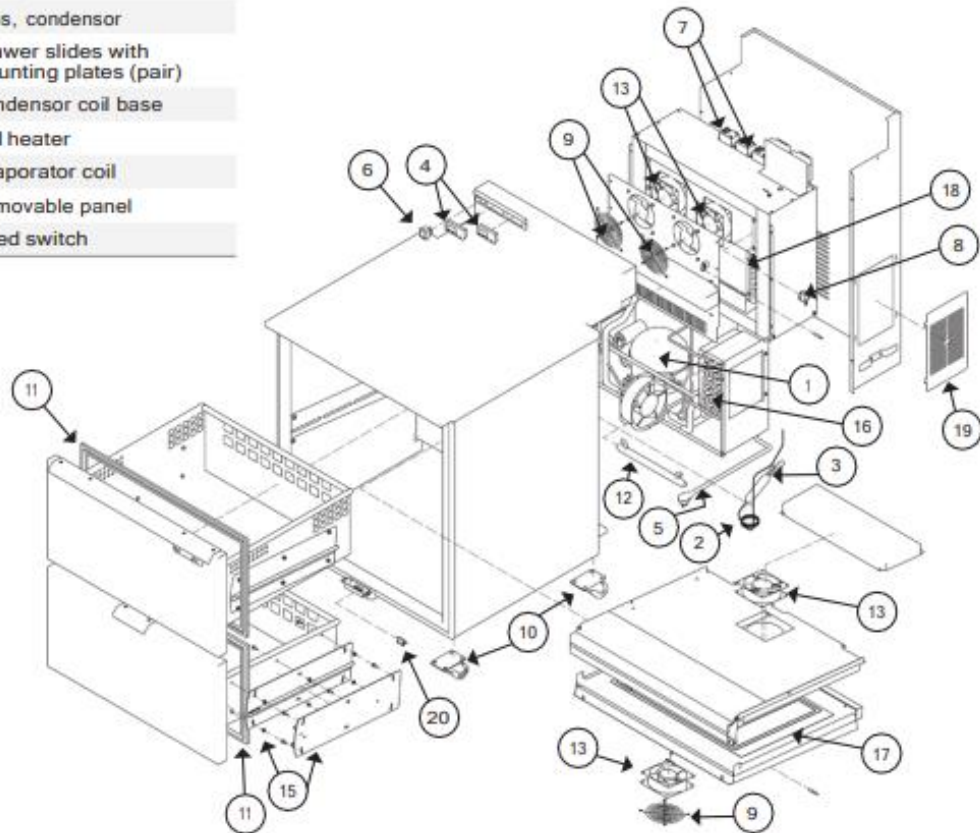
HCFRC30.01E, HCFRC30.01P



HK# HCFRC30.01E Freezer/Refrigerator

Item	HK#	Description
1	P-1-315-1	Compressor
2	P-1-56-1200	Capillary tube 7'0"
3	P-1-24-2	Dryer
4	G-R02043	Controller/probe/display
5	E-10-12-1	Power cord
6	E-1-19-11	Power switch
7	E-14-15-4 (3)	Power relay
8	E-4-3-155	Defrost terminator
9	E-6-9-1	Fan guard
10	H-20-02	Caster w/ brake
11	H-4-39-94	Drawer gasket
12	P-1-29-1	Heat exchanger
13	E-6-022	Fans, interior
14	E-6-023	Fans, condensor
15	HCFRC30.16M	Drawer slides with mounting plates (pair)
16	E-6-11-28	Condensor coil base
17	E-5-124	Foil heater
18	E-6-11-29	Evaporator coil
19	HCFRC.08A.003	Removable panel
20	E-1-27	Reed switch

Item	HK#	Description
1	P-1-353	Compressor
7	E-14-15-4 (2)	Power relay



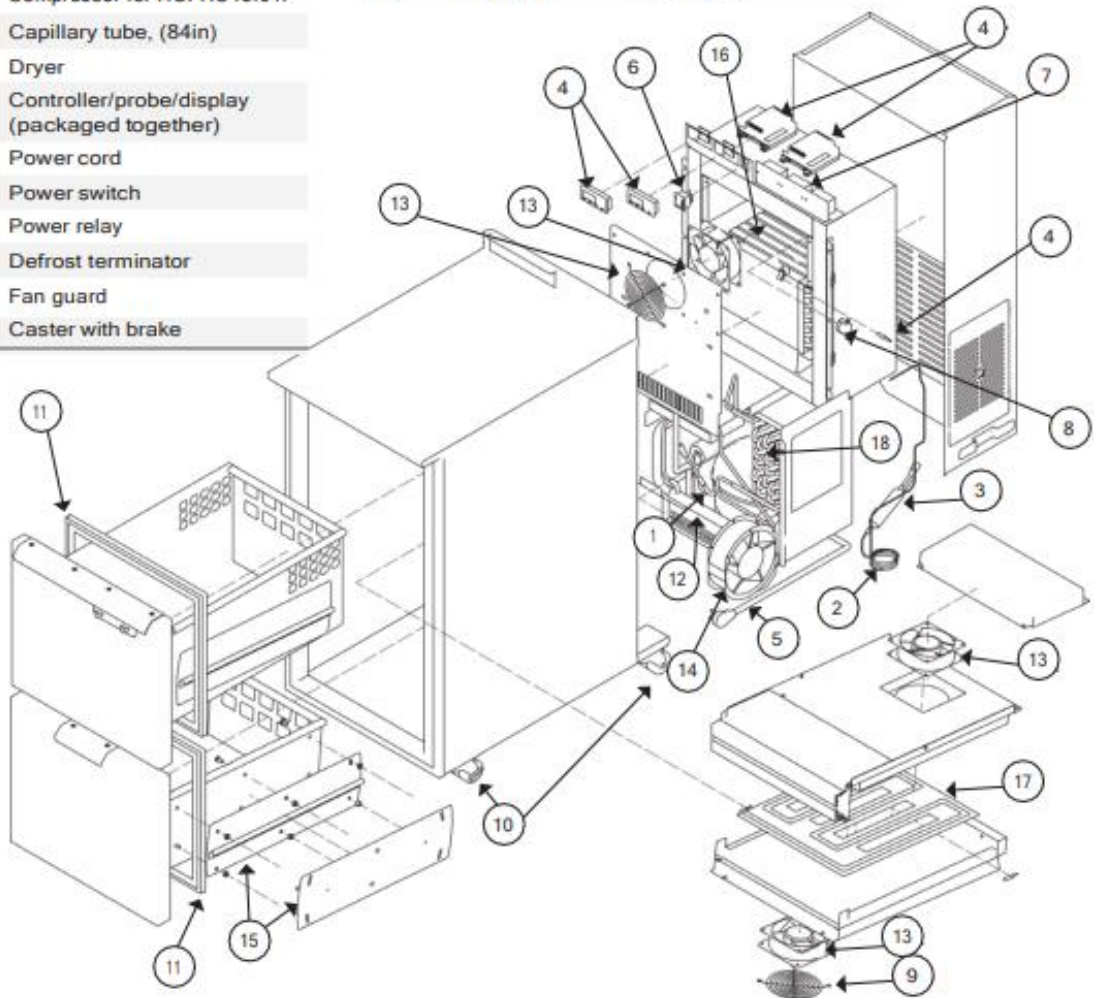
FREEZER/REFRIGERATOR - HIGH CAPACITY

HCFCR.01E, HCFCR18.01P



HK# HCFCR.01E, HCFCR18.01P Freezer/Refrigerator		
Item	HK#	Description
1	P-1-315-1 P-1-353	Compressor Compressor for HCFCR18.01P
2	P-1-56-1200	Capillary tube, (84in)
3	P-1-24-2	Dryer
4	G-R02043	Controller/probe/display (packaged together)
5	E-10-12-1	Power cord
6	E-1-19-11	Power switch
7	E-14-15-4	Power relay
8	E-4-3-155	Defrost terminator
9	E-6-9-1	Fan guard
10	H-20-02	Caster with brake

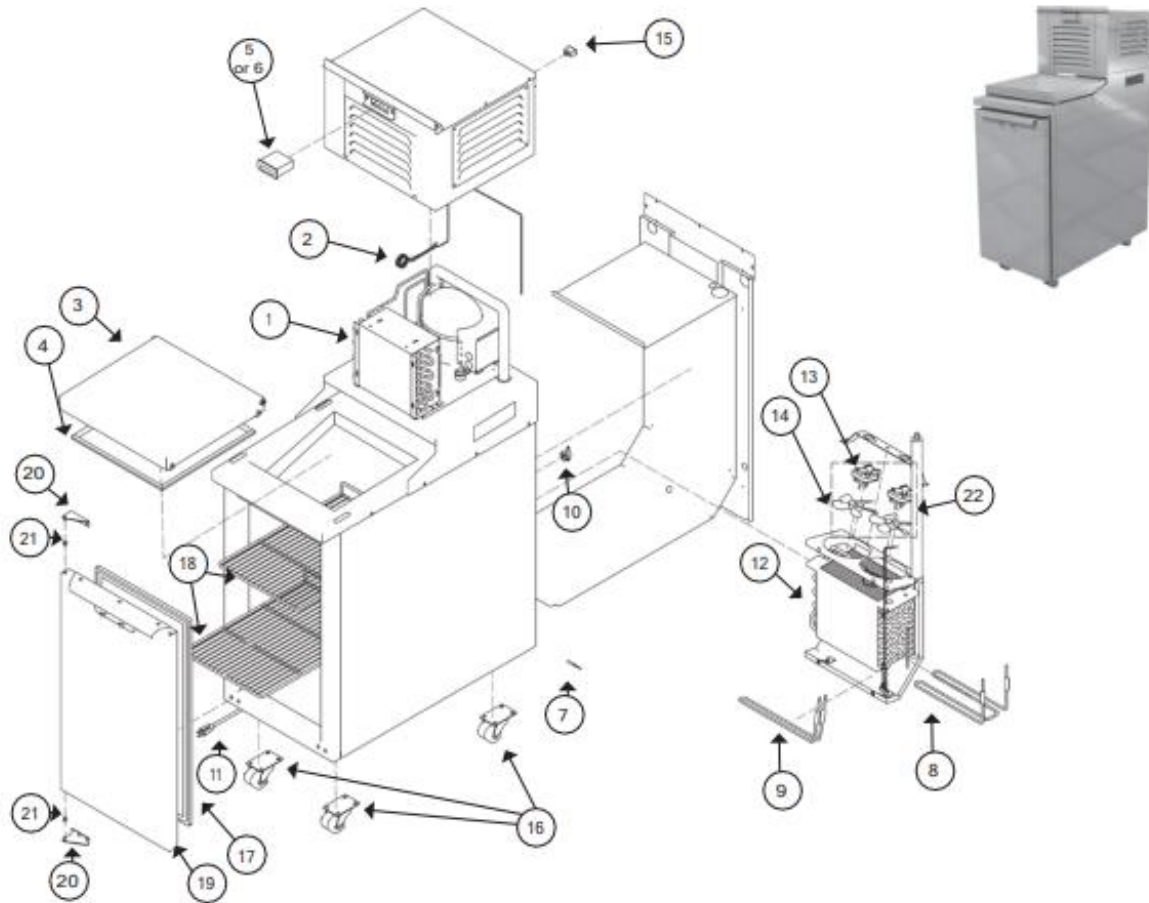
HK# HCFCR.01E, HCFCR18.01P Freezer/Refrigerator		
Item	HK#	Description
11	H-4-39-73	Drawer gasket
12	P-1-29-1	Heat exchanger
13	E-6-022	Fans, interior
14	E-6-023	Fans, condenser
15	HCFCR.06M	Drawer slides with mounting plates
16	E-6-11-30	Evaporator
17	E-5-093	Foil heater
18	E-6-11-28	Evaporator coil





FREEZER - HIGH CAPACITY

HCMF18 + HCMF18C



HK# HCMF18 & HCMF18C Freezer - High Capacity		
Item	HK#	Description
1	P-1-309	Condensing unit
2	P-1-53-1200 (120")	Capillary tube
3	HCMF18-04A	Rolling cover
4	H-4-39-641	Lid gasket
5	E-4-3-162 (HCMF18)	Controller
6	G-R02043 (HCMF18C)	Controller
7	E-4-3-157-N/A for HCMF18C	Probe
8	E-5-26-14	Defrost heater
9	E-5-34	Defrost pan heater
10	E-4-3-155	Defrost termination
11	E-10-12-8	Power cord

HK# HCMF18 & HCMF18C Freezer - High Capacity		
Item	HK#	Description
12	E-6-11-23	Evaporator
13	E-6-003D	Evap fan motor only
14	E-6-003B-CW	Evap fan blade only
15	E-1-19-1	Power switch
N/A	H-20-01	Caster
16	H-20-02	Caster with brake
17	H-4-39-181	Door gasket
18	H-18-306	Wire shelf
19	HCMF18-02A	Front door
20	1851-04A & 1851-05A	Door hinge
21	F-11-28-1	Hinge bearing
22	E-6-022	Fan, universal (HCMF18C)



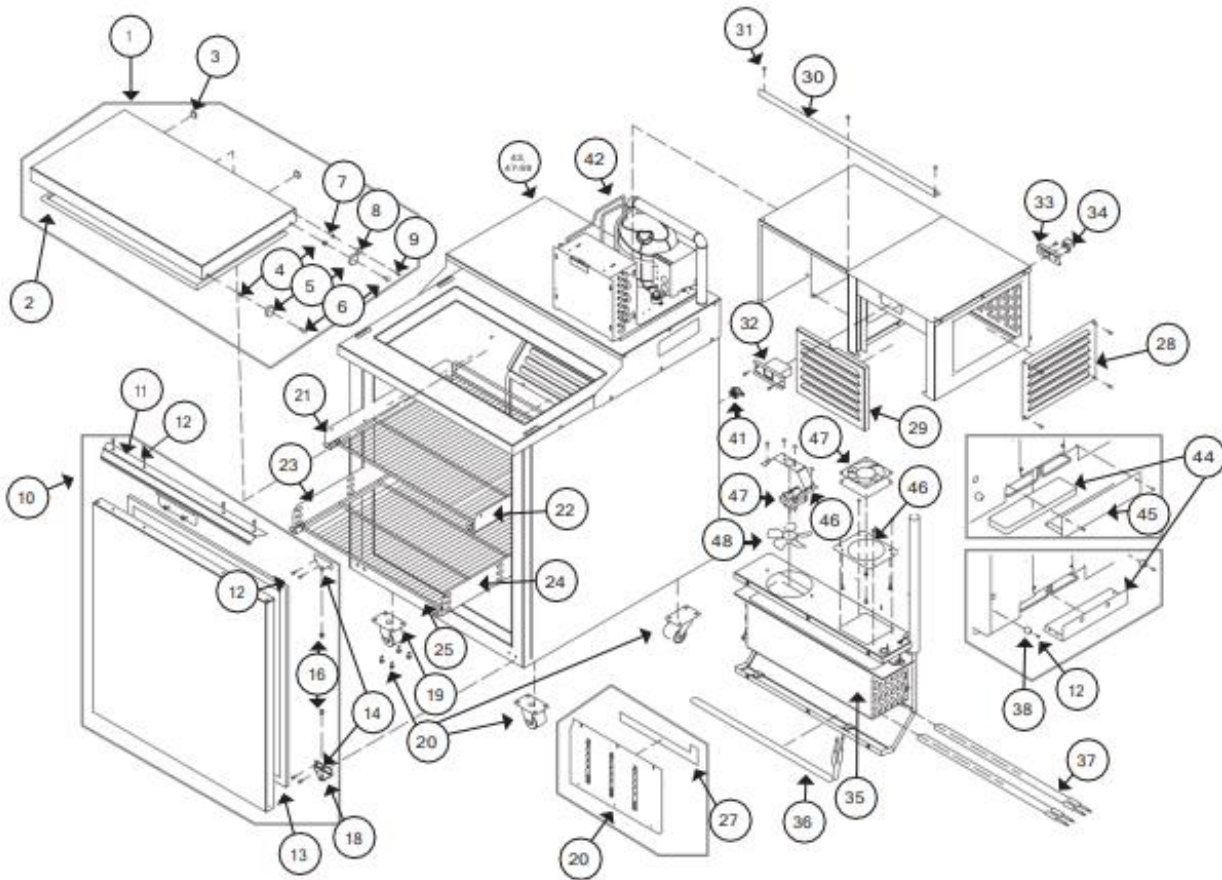
FREEZER - HIGH CAPACITY

HCMF30



HK# HCMF30 General Replacement Components for HCMF30 Series

Item	HK#	Description
1	HCMF30-04A	Rolling door
2	H-4-39-642	Gasket
3	H-4-35-3	Rubber stop
4	F-3-35	Wheel nut
5	H-6-4	Wheel
6	F-19-2	Wheel screw
7	F-3-3-2	Round plastic guide nut
8	F-11-29-9	Round plastic guide
9	F-9-2-1	Round plastic guide screw
10	HCMF30-02A	Front door
11	HCMF30-07A	Handle assembly





FREEZER - HIGH CAPACITY

HCMF30

HK# HCMF30 General Replacement Components for HCMF30 Series

Item	HK#	Description
12	F-18-8	Handle screws
13	HCMF30-02A-200	Gasket
14	1851-04A & 1851-05A	Door hinge
16	F-11-28-1	Bushing
19	H-20-02	Locking caster
20	F-10-12-7	Caster screws
21	HCMF30-81A-006	Top left bracket
22	HCMF30-81A-007	Top right bracket
23	HCMF30-19A-009	Bottom left bracket
24	HCMF30-19A-010	Bottom right bracket
25	H-18-290	Wireform shelf
26	HCMF30B-81B	Internal lower panel
27	G-2-083	Foil heater
28	HCMF30-00A-019	Side louver panel

HK# HCMF30 General Replacement Components for HCMF30 Series

Item	HK#	Description
29	HCMF30-00A-036	Front louver panel
30	HCMF30-00A-0051	Angle bracket
31	F-18-6	Bracket screws
32	HCMF30-14A-001	Controller bracket
33	HCMF30-00A-017	Switch bracket
34	E-1-19-1	Power switch
35	E-7-1	Evaporator
36	E-5-26-9	Drain pan heater
37	E-5-26-8	Evaporator heater
38	H-4-35	Back rubber stop
40	E-10-12-8	Cord with plug
41	E-4-3-155	Defrost terminator
42	HCMF30-44A-001	Hot gas loop
43	P-1-24	Dryer

HK# HCMF30 Model Specific Part Number

Item	HK# for HCMF30	HK# for HCMF30B	HK# for HCMF30C-01P	Description
44	HCMF30-06A-001	H-11-73	H-11-73	Condensate pan
45	N/A	HCMF30.23A.001	HCMF30.23A.001	Condensate pan bracket
46	GSF19-00A-020	GSF19-00A-020	HCMF30B-01P-RH.06A.006	Fan bracket
47	E-6-003D	E-6-003D	E-6-022	Fan motor
48	E-6-003B	E-6-003B	N/A	Fan blade
49	P-1-299	P-1-299	P-1-311	Condensing unit
50	P-1-299C	P-1-299C	N/A	Compressor
51	P-1-299FB	P-1-299FB	N/A	Compressor fan blade
52	P-1-299FM	P-1-299FM	N/A	Fan motor
53	P-1-299SC	P-1-299SC	P-1-311-SC	Start capacitor
54	P-1-299CR	P-1-299CR	P-1-311-CR	Start relay
55	P-1-299P	P-1-299P	P-1-311-EP	Overload protector
56	P-1-53-1200 (132")	P-1-53-1200 (132")	P-1-54-1200 (72")	Capillary tube
57	E-4-3-0162	E-4-3-162	G-R02043	Controller
58	E-4-3-157	E-4-3-157	N/A	Probe
59	N/A	E-4-3-165	E-4-3-165	Brass clip



FREEZERS-GRILL SIDE

HK-GSF18



GSF18-06A	Rolling cover
GSF18-01A	Wire shelving rack
P-1-16-54-C	Condensing unit
P-1-12-11	Expansion valve
P-1-23	Dryer
E-4-3-160	Controller kit
E-6-003D	Fan motor assembly
E-5-26-1	Defrost heater
GSF30-12A	Glove dispenser

461231 Disposable glove, blue (2000/Case)

H-1-27-2 Cam, latch

SGASKET-02 Gasket, for front door



H+K Grill Side Freezer Model HK-GSF18

HK#	Description
1851-04A	Hinge, lower LH, upper RH
1851-05A	Hinge, upper LH, lower RH
F-18-8	Screw, #8-32x1/2", s/s (req. 6/hinge)
F-11-28	Washer, #10SC250037, NYL shoulder (Req. 4/hinge)
F-11-28-1	Bearing, brass flanged (req. 4/hinge)
H-20-02	Casters
P-1-16-54SC	Start capacitor
P-1-1654-SR	Relay
P-1-16-3-0	Overload capacitor
P-1-16-54	Condensing unit
GSF18.049	Coil cover inside

HK# E-4-3-160
Controller for grill side freezers,
Used on models GSF18-A & GSF30-A
Includes 2 standard sensors, 1 display
Voltage: 115V





FREEZERS-GRILL SIDE

HK-GSF30



H+K Grill Side Freezer Model HK-GSF30	
HK#	Description
GSF30-06A	Rolling cover
GSF30-03A	Top sliding rail
H-18-230	Wire shelving rack
GSF30-02A	Front door
P-1-16-3	Condensing unit
P-1-12-11	Expansion valve
P-1-23	Dryer
E-4-3-160	Controller kit (see page 9.108 for picture)
E-6-003D	Evaporator fan motor assembly
P-1-16-3-FM	Condensing unit fan motor
E-5-26-2	Defrost heater
GSF30-12A	Glove dispenser
461231	Disposable glove, blue (2000/Case)
H-4-34	Gasket, for front door
H-4-39-642	Gasket, for top sliding door
H-1-27-2	Cam, latch
1851-04A	Hinge, lower LH, upper RH
1851-05A	Hinge, upper LH, lower RH
F-18-8	Screw, #8-32x $\frac{1}{2}$ ", s/s (req. 6/hinge)
F-11-28	Washer, #10SC250037, NYL shoulder (req. 4/hinge)
F-11-28-1	Bearing, brass flanged (req. 2/hinge)
H-20-02	Casters
P-1-16-3-FB	Fan blade
P-1-16-3-SR	Starting component
E-3-20-30	Terminal block
P-1-16-3-C	Compressor
GSF30-00A-049	Coil cover inside
GSF31-04A-001	Lid stopper, field weld
GSF30-559	Side cover



FREEZERS-GRILL SIDE

MF03, MF04



H+K Grill Side Freezer Model MF03	
HK#	Description
450826	Self closing cover assembly
450826-01A	Frame assembly for self closing cover
450826-02A	Slide cover
450826-03A	Removable rear top
PCCAW282	Wire shelf
65537	Glove dispenser
461231	Disposable glove, blue (2000/case)
P-1-207	Condensing unit
P-1-53-1200	Cap tube
P-1-23	Dryer
P-1-18-6	Thermostat
E-10-12-8	Power cord and plug, 96"
H-20-8	Casters (no brake)
H-20-7	Casters (brake)

H+K Grill Side Freezer Model MF04	
HK#	Description
450825	Self closing cover assembly
450825-01A	Frame assembly for self closing cover
450825-02A	Slide cover
450825-03A	Removable rear top
PCCAW282	Wire shelf
65537	Glove dispenser
461231	Disposable glove, blue (2000/case)
P-1-207	Condensing unit
P-1-53-1200	Cap tube
P-1-23	Dryer
P-1-18-6	Thermostat
H-20-8	Casters (no brake)
H-20-7	Casters (brake)



FREEZERS-WALL MOUNT

WF03, WF04



H+K Wall Mount Freezer Model WF04	
HK#	Description
P-1-209	Condensing unit
P-1-53-1200	Cap tube, sold in 1 foot increments
P-1-23	Dryer
P-1-18-6	Thermostat
E-1-19-1	Switch
WF04-013	Bracket
D1003	Gasket
E-10-12-8	Power cord and plug, 96"
3585070	Digital thermometer, fahrenheit & celsius
1851-04A	Hinge, lower LH, upper RH
1851-05A	Hinge, upper LH, lower RH
F-18-8	Screw, #8-32x $\frac{1}{2}$ ", s/s (req. 6/hinge)
F-11-28	Washer, #10SC250037, NYL shoulder (req. 4/hinge)
F-11-28-1	Bearing, brass flanged (req. 4/hinge)
H-18-105	Shelf, wire
P-1-209-1	Compressor

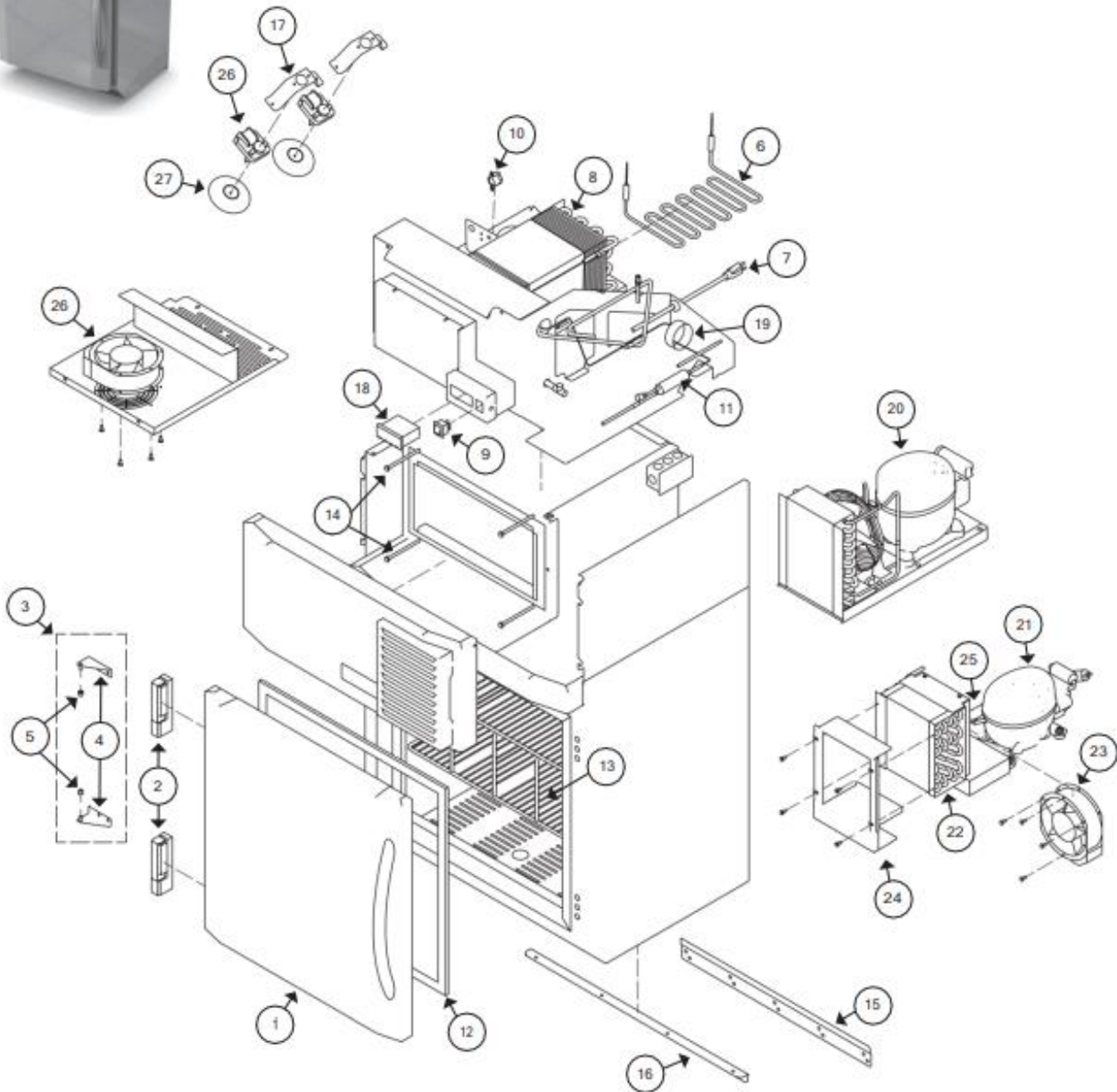
H+K Wall Mount Freezer Model WF03	
HK#	Description
P-1-207	Condensing unit
P-1-53-1200	Cap tube, sold in 1 foot increments (120in)
P-1-23	Dryer
E-1-19-1	Switch
D1003	Gasket
E-10-12-8	Power cord and plug, 96"
3585070	Digital thermometer, fahrenheit & celsius
1851-04A	Hinge, lower LH, upper RH
1851-05A	Hinge, upper LH, lower RH
F-18-8	Screw, #8-32x $\frac{1}{2}$ ", s/s (req. 6/hinge)
F-11-28	Washer, #10SC250037, NYL shoulder (req. 4/hinge)
F-11-28-1	Bearing, brass flanged (req. 4/hinge)
H-18-270	Rack, wire, without dividers
H-18-271	Rack, wire, with dividers
HCWF1.00A.010	Wall clip, joggle
WF03-009	Support angle
P-1-207-1	Compressor

Parts used for both models	
HK#	Description
KH-50-59	Bearing ball assy.
WF04-01A	Door assy.
E-2-5	Corner plate
E-2-13	J box



FREEZERS-WALL MOUNT, HIGH CAPACITY

HCWF1, HCWF1B-01P, HCWF1C-01P





FREEZERS-WALL MOUNT, HIGH CAPACITY

HCWF1, HCWF1B-01P, HCWF1C-01P

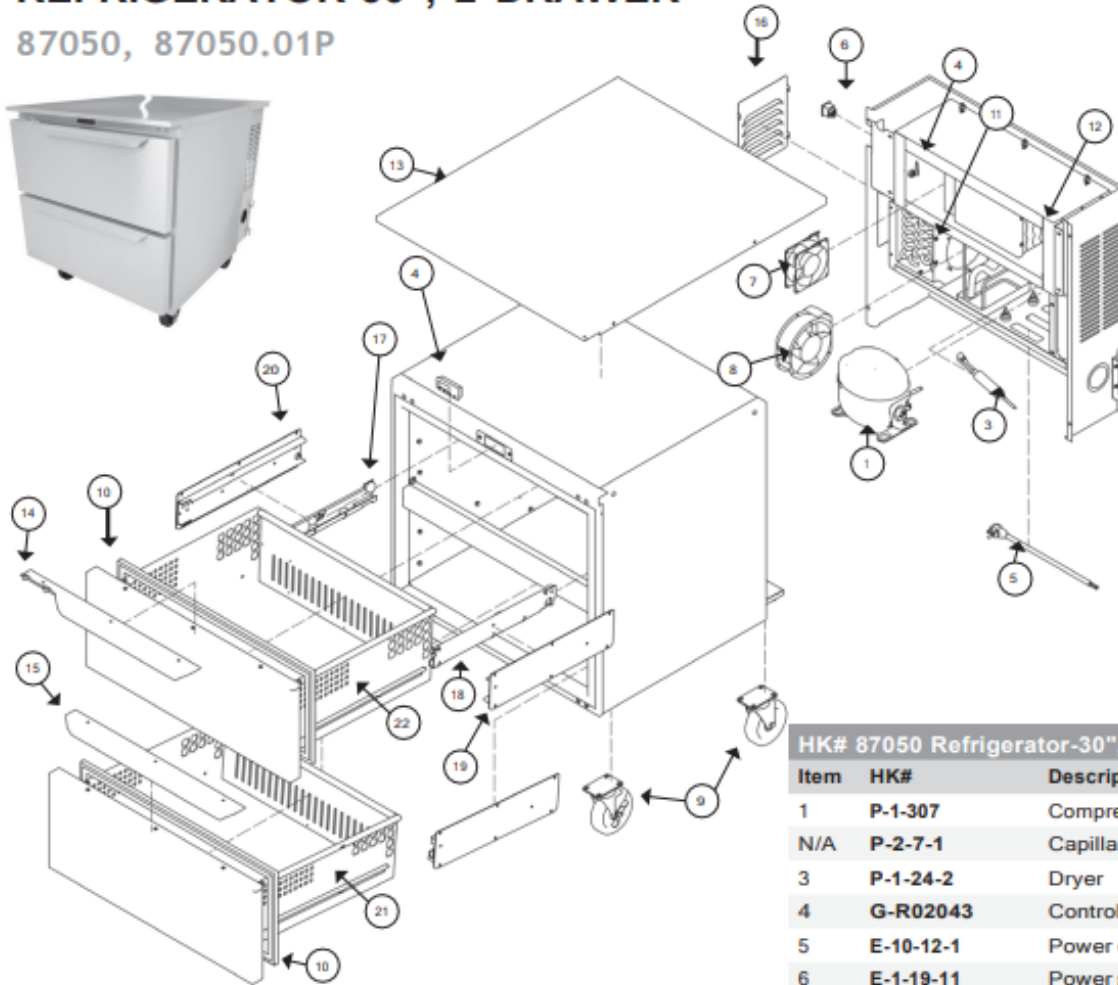
HCWF1/HCWF1B-01P/HCWF1C-01P		
Item	HK#	Description
1	HCWF1.83A	Door (edge mount hinges)
2	H-1-9-4	Edge mount hinge (pair)
3	HCWF1.15A	Door (pin type hinges)
4	1851-04A & 1851-05A	Pin type hinge
5	F-11-28-1	Hinge bearing
6	G-2-059	Defrost heater
7	E-10-12-8	Power cord
8	E-6-11-22	Evaporator
9	E-1-19-11	Power switch
10	E-4-3-155	Defrost terminator
11	P-1-24-2	Dryer
12	H-4-39-182	Door gasket
13	H-18-144	Wire shelves (set)
14	F-21-13	Screw 14/-20 x 4 ½
15	HCWF1.00A.010	Wall clip, joggle
16	WF03-009	Support angle

H+K Model Specific Part Number				
Item	HCWF	HCWF1B-01P	HCWF1C-01P	Description
17	WF10.11A.002	N/A	N/A	Fan bracket
18	E-4-3-162 & E-4-3-157	G-R02043	G-R02043	Controller/probe display
19	P-1-53-1200 (132")	P-1-54-1200 (72")	P-1-54-1200 (72")	Capillary tube
20	P-1-306	P-1-312	N/A	Condensing unit
21	N/A	N/A	P-1-353	Compressor
22	N/A	N/A	E-6-11-28	Condenser coil
23	N/A	P-1-312-FAN	E-6-023	Condenser fan
24	N/A	P-1-29-1	P-1-29-1	Heat exchanger
25	P-8-47	N/A	G-A03064	Schraeder valve
26	E-6-003D	E-6-023	E-6-023	Evap fan motor
27	E-6-015	N/A	N/A	Evap fan blade only



REFRIGERATOR-30", 2 DRAWER

87050, 87050.01P



HK# 87050 Refrigerator-30", 2 Drawer

Item	HK#	Description
1	P-1-307	Compressor
N/A	P-2-7-1	Capillary tube 60
3	P-1-24-2	Dryer
4	G-R02043	Controller/probe/display
5	E-10-12-1	Power cord
6	E-1-19-11	Power switch
7	E-6-022	Fan evap
8	E-6-023	Fan condenser
9	H-20-37N	Caster with brake
10	H-4-39-215	Gasket, drawer
11	E-6-11-21	Condenser coil
12	E-6-11-20	Evaporator coil
13	87050.01T	Worktop replacement
14	87050.11C	Handle with glove dispenser
15	87050.11A.003	Handle, bottom drawer
16	84225.12H.003	Panel, coil access
17	H-5-7-3-2	Left roller assembly
18	H-5-7-4-2	Right roller assembly
19	87050.16D	Set slide drawer RH
20	87050.16F	Set slide drawer LH
21	87050.11W	Bottom Drawer body
22	87050.12W	Upper Drawer body

HK# 87050.01P Refrigerator-30", 2 Drawer

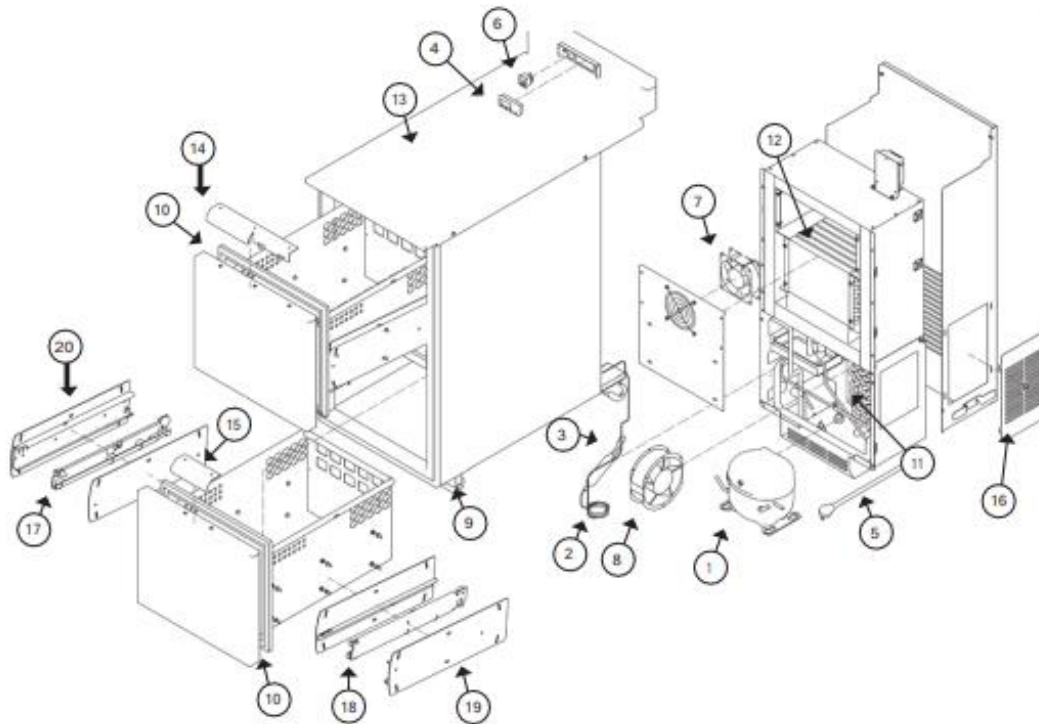
Item	HK#	Description
1	P-1-313	Compressor
N/A	P-1-56-12	Cap tube 96"





REFRIGERATOR-18", 2 DRAWER

87051, 87051.01P



HK# 87051 Refrigerator-18", 2 Drawer

Item	HK#	Description
1	P-1-307	Compressor
2	P-1-56-1200 (84")	Capillary tube
3	P-1-24-2	Dryer
4	G-R02043	Controller/probe/display
5	E-10-12-1	Power cord
6	E-1-19-11	Power switch
7	E-6-022	Fan evap
8	E-6-023	Fan condenser
9	H-20-02	Caster with brake
10	H-4-39-7049	Gasket, drawer
11	E-6-11-28	Condenser coil
12	E-6-11-30	Evaporator coil

HK# 87051 Refrigerator-18", 2 Drawer

Item	HK#	Description
13	87051.01T	Worktop replacement
14	87051.06H	Handle with glove dispenser
15	87051.07B.002	Handle, bottom drawer
16	HCFRC.08A.003	Panel, coil access
17	H-5-7-3-2	Left roller assembly
18	H-5-7-4-2	Right roller assembly
19	HCFRC30.16D	Set slide drawer RH
20	HCFRC30.16F	Set slide drawer LH

HK# 87051.01P

Item	HK#	Description
1	P-1-313	Compressor
2	P-2-7-1 (96")	Capillary tube



REFRIGERATOR-BASE

83050, 84225.01E, 84225.01P



83050 Model



84225.01E, 84225.01P Models

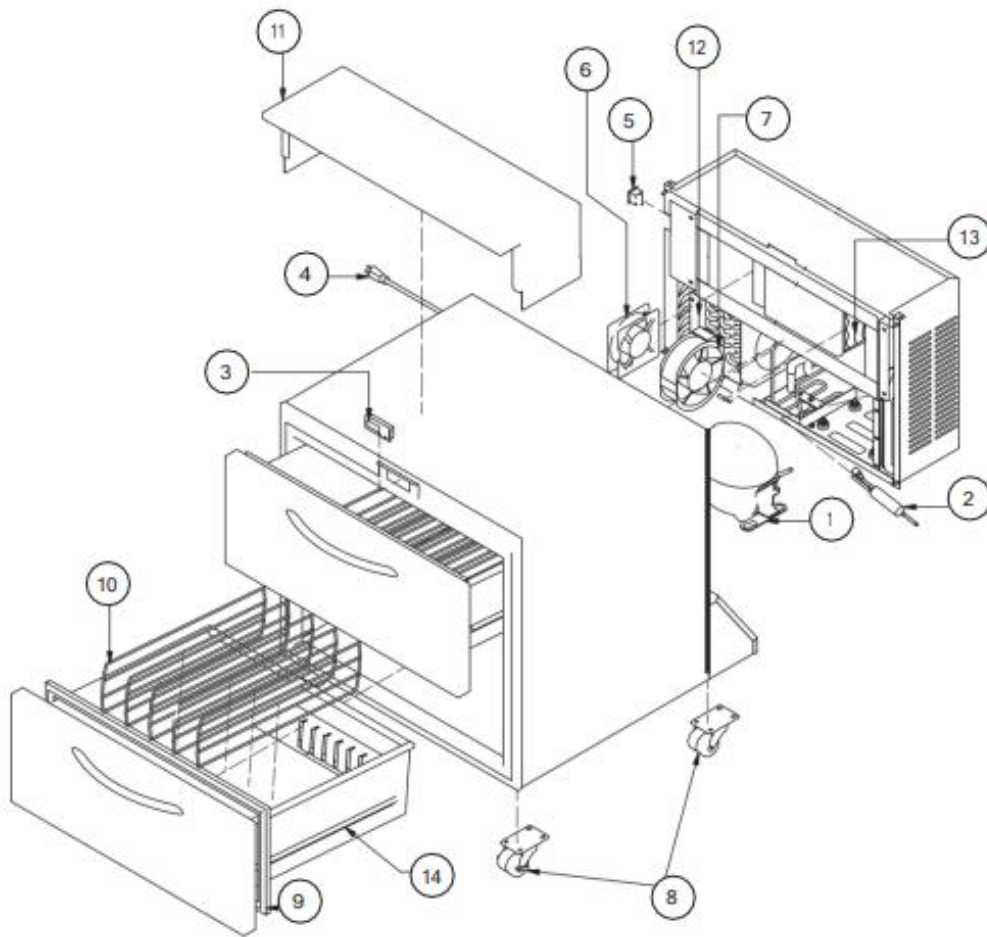
HK# 87051, 84225.01P Refrigerator-18", 2 Drawer		
Item	HK#	Description
1	P-1-307	Compressor
	P-1-313	Compressor for 84225.01P
*	P-2-7-1 (60in)	Capillary tube
2	P-1-24-2	Dryer
3	G-R02043	Controller
4	E-10-12-1	Power cord
5	E-1-19-11	Power switch
6	E-6-022	Fan evap
7	E-6-023	Fan condenser
8	H-20-02	Caster with brake
9	H-4-39-213	Drawer gasket
10	H-18-355	Drawer divider
11	84225.10F	Overshelf, worksurface
12	E-6-11-21	Condenser coil
13	E-6-11-20	Evaporator coil
14	83050.02B	Drawer slides (2) with hardware for 83050 model
14	84225.11G	Drawer mounting plates, slides and hardware for 84225 model

*Not shown



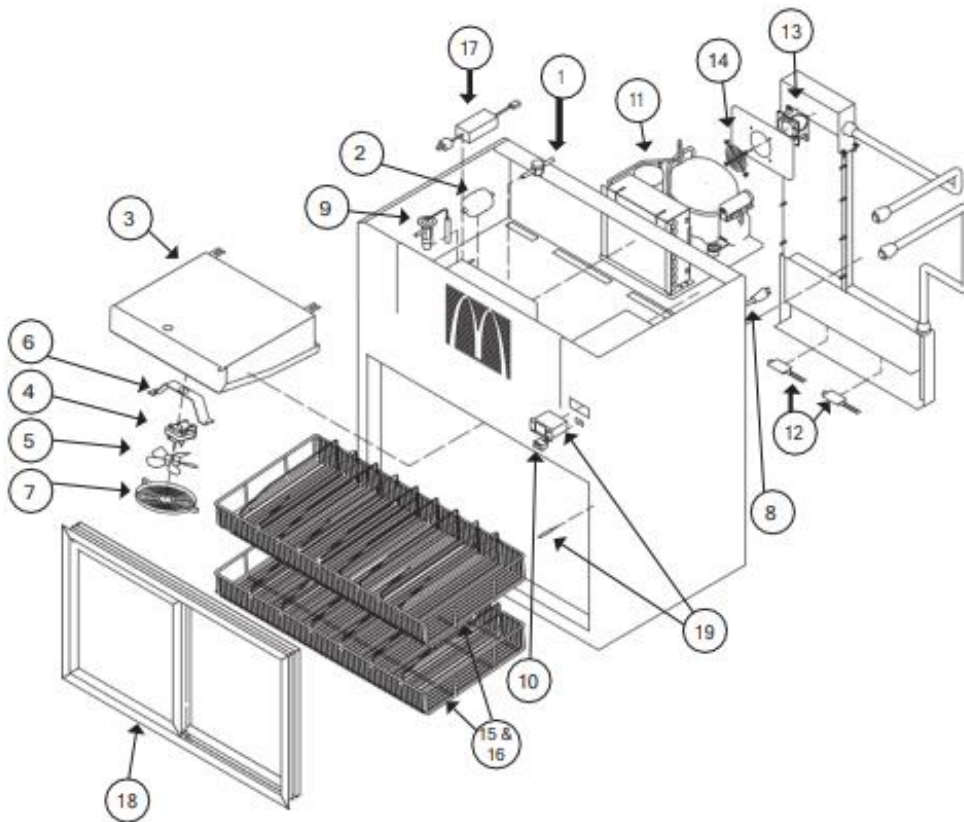
REFRIGERATOR-BASE

83050, 84225.01E, 84225.01P



REFRIGERATOR-BEVERAGE

80213-GC



REFRIGERATOR-BEVERAGE

80213-GC



HK# 80213-GC Refrigerator-Beverage		
Item	HK#	Description
1	P-1-21	Sight glass
2	P-1-23	Dryer
3	E-6-12-2	Cooling unit (evap)
4	E-6-12-2FM	Evap fan motor
5	E-6-12-2FB	Fan blade
6	E-6-12-2B	Fan bracket
7	E-6-14-088	Cover for fan
8	E-10-12-8	Cord
9	P-1-12-6	Expansion valve
10	E-1-19-1	On/off switch
11	P-1-285	Condenser unit
12	E-5-30-18	Condensate pan heater
13	E-6-01	Condensate fan
14	E-6-01-1	Condensate fan guard
15	H-18-249	Wire shelf
16	H-18-250	Divider, shelf
17	E-13-19-14	Interior light with ballast (replaces all versions of lights)

Model Specific P/N				
Item	77238	80213	80213-GC	Description
18	H-12-14-14	H-12-14-22	H-12-14-22	Door assembly door springs
	-	H-12-14-22-1	H-12-14-22-1	Door, inside
	-	H-12-14-22-2	H-12-14-22-2	Door, outside
	-	H-12-14-22-3	H-12-14-22-3	Roller wheel
	H-3-34	H-12-14-24 or H-3-34	H-12-14-24	Door springs
19	P-1-18-9	E-4-3-0162	G-R02043	Controller/probe/display



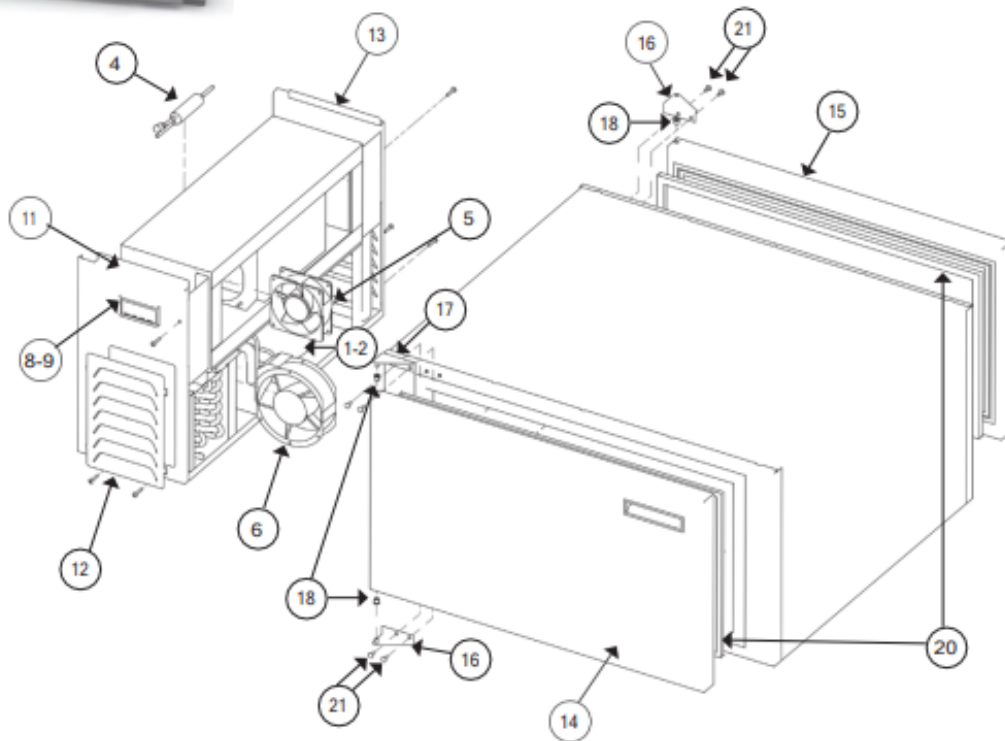
HK# H-3-34
Spring, door, 14"L



HK# H-12-14-24
Spring, door, 16"L

PREP TABLE REFRIGERATOR

HCPPT-01EC, HCPPTB.01P



Slide In Refrigerator -HD HCPPT-01EC		
Item	HK#	Description
1	P-1-307	Compressor (Copeland)
2	P-1-16-5-1	Compressor (Danfoss)
*	P-2-7-1 (60in)	Capillary tube
4	P-1-24-2	Dryer
5	E-6-022	Evap fan motor
6	E-6-023	Condenser fan
*	E-10-12-8	Power cord
8	E-4-3-162	Controller
9	G-R02043	(HCPPTB-01EC) controller
*	E-4-3-157	N/A for HCPPTB-01EC probe
11	HCPPT.03E	Panel, mechanical controller side

*Not shown

Slide In Refrigerator -HD HCPPT-01EC		
Item	HK#	Description
12	HCPPT.00A.001	Panel, coil access
13	HCPPT.03F	Panel, mechanical louvers
14	HCPPT.01B	Door, controller side
15	HCPPT.01C	Door, non-controller side
16	1851-04A	Door hinge
17	1851-05A	Door hinge
18	F-11-28-1	Hinge bearing
N/A	H-18-115	Wire shelf
20	H-4-39-187	Gasket
21	F-18-15	Door hinge screw

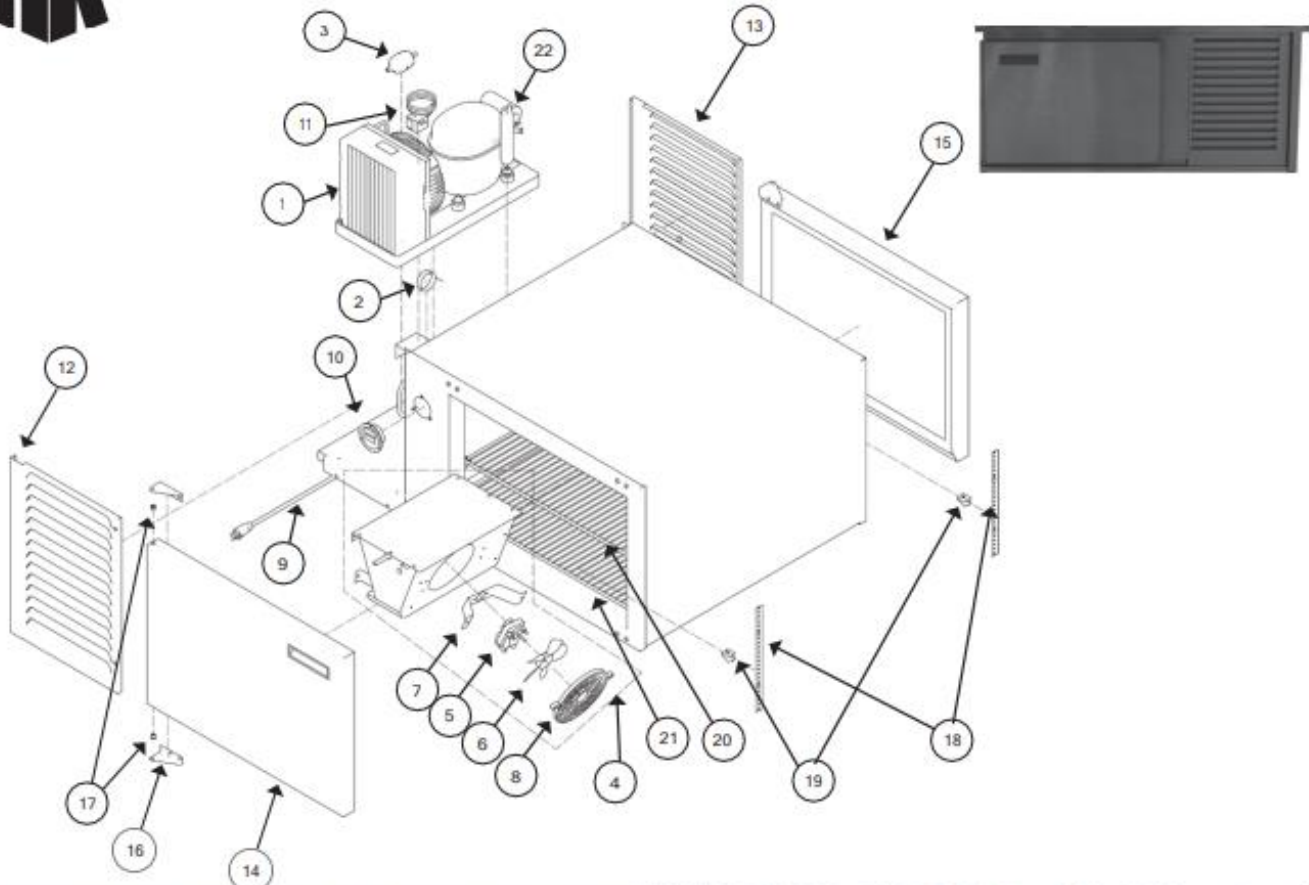
*Not shown





PREP TABLE REFRIGERATOR

PPT08-06A, PPT30-06A



HK# PPT08-06A, PPT30-06A Prep Table Refrigerator

Item	HK#	Description
1	P-1-16-19	Condenser, 1/2 HP
2	P-2-7-1 (120")	Capillary tube
3	P-1-24	Dryer
4	E-6-14-1	Evap assembly
5	E-6-12-2Fm	Evap fan motor
6	E-6-12-2Fb	Evap fan blade
7	E-6-12-2B	Fan bracket
8	E-6-14-088	Evap fan guard
9	E-10-12-8	Power cord
10	E-4-15	Thermometer display
11	P-1-18-3	Thermostat
12	Ppt30.06a.002	Panel, mechanical controller side
13	Ppt30.06a.003	Panel, mechanical louvers

*Not shown

HK# PPT08-06A, PPT30-06A Prep Table Refrigerator

Item	HK#	Description
14	Ppt30.43a	Door, controller side
15	Ppt30.44a	Door, non-controller side
16	1851-04A & 1851-05A	Door hinge
17	F-11-28-1	Hinge bearing
18	Ppt30-06A-001	Pilaster
19	H-5-16-1	Clip, refrigerator shelving
20	H-18-127	Top shelf
21	H-18-152	Bottom shelf
22	P-1-50	Accumulator
*	E-4-15	Thermometer display
*	H-4-39-84	Gasket
*	P-1-16-19M	Motor, condensor fan
*	P-1-13-19-C	Compressor, F/PPT08-06A

*Not shown



CHILLED RAIL

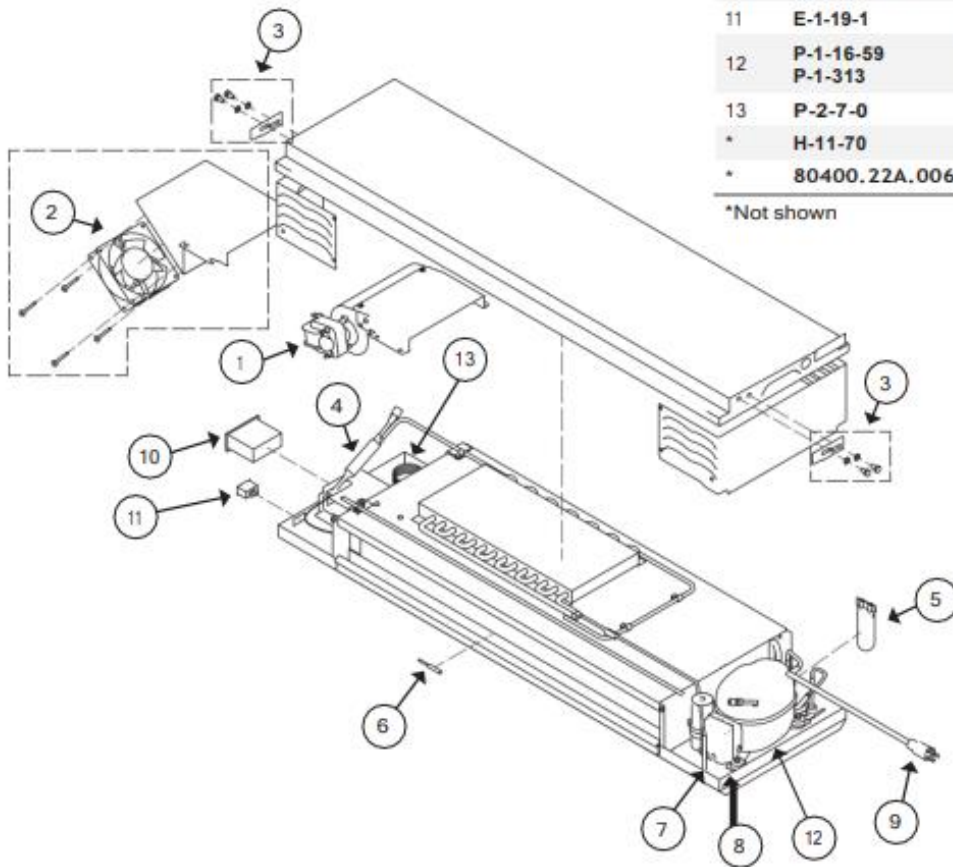
80400, 86110, 89055



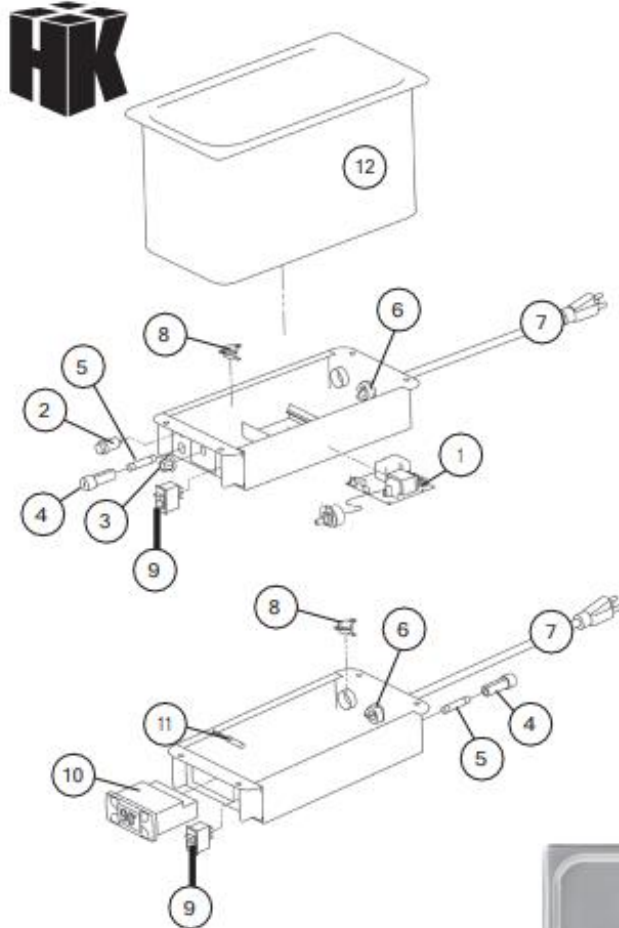
HK# 80400, 86110, 89055 Chilled Rail

Item	HK#	Description
1	80400.40A	Fan motor (80400 series)
2	E-6-022	Fan motor (86110, Next Gen)
3	80400.HRW	Mounting hardware kit (pair)
4	P-1-12-22	Dryer
5	P-1-54	Accumulator
6	E-4-3-157	Probe
7	P-1-16-59SC	Start capacitor
8	P-1-16-59SR	Start relay
9	E-10-12-8	Cord
10	E-4-3-156	Controller
11	E-1-19-1	Switch
12	P-1-16-59 P-1-313	Compressor Compressor for 89055
13	P-2-7-0	Cap tube 5' LG
*	H-11-70	Drip tray
*	80400.22A.006	Tab hanger

*Not shown



MARINATORS MCR009, MCR011



HK# MCR009, MCR011 Marinators

Item	HK#	Description
Items Specific to MCR009		
1	E-4-3-139	Thermostat
2	E-6-32-2	Pilot light
3	E-4-1	Knob
Items Included in Both Models		
4	E-3-23-2CS	Fuse holder
5	E-3-21-7	Fuse 2 Amp littlefuse #326002
6	E-8-44-1	Strain relief bushing
7	E-10-12-10	Power cord & plug
*	E-5-0145	Heater foil
8	E-5-117	Hi-limit switch
9	E-1-19-1	Lighted on/off power switch
12	MCR009-10A	Replacement pan w/ studs
*	HK20020	Divider
Items Specific to MCR011		
10	P-1-18-13	Controller w/ display
11	P-1-18-14	Probe



HK# VOR75130
Marinator lid
7"W x 12.75"E x 1.5" H



HK# VOR75230
Slotted marinator lid
7"W x 12.75"E x 1.5" H



HK# 66004
Repair kit, marinator with heater
(#MCR009)
Kit includes:
On/off switch, fuse, temperature
control sensor, circuit board,
hi-limit switch, pilot light,
foil heater & wiring harness



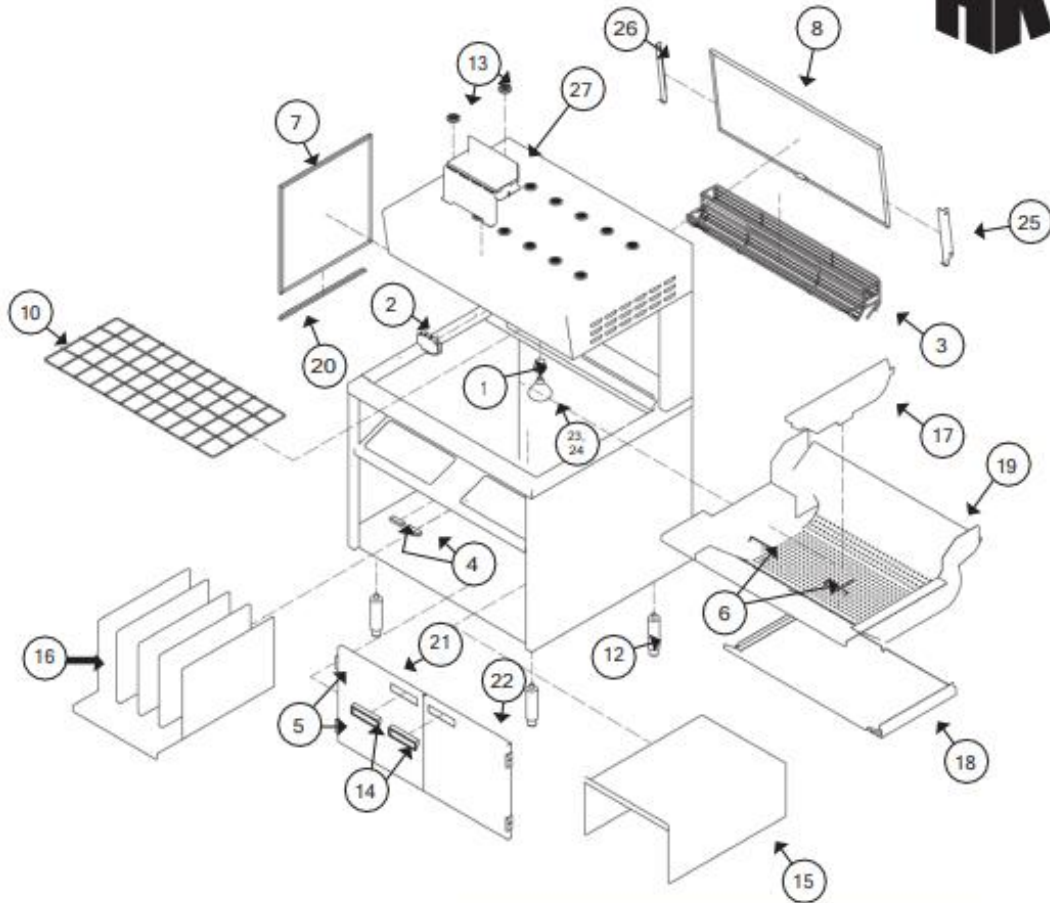
HK# E-4-3-139
Thermostat control board for
marinator (#MCR009)



HK# 66004-NH
Repair kit, marinator without
heater (#MCR009)
Kit includes:
On/off switch, fuse,
temperature control sensor, circuit
board, hi-limit switch & pilot light
(Heater foil not included)

FRY BAGGING STATION, 36"

FB08/FB20



FB08 & FB20

Item	HK#	Description
1	E-1-184	Lampholder snap- in
2	E-3-16-1	Switch, on/off
3	G-1-106	Fry holding rack
4	H-1-0	Catch magnet, snap in
5	H-1-24-6	Hinge, s/s (req'd welding)
6	H-14-12	S/S Handle (req'd welding)
7	FB20-06A	End glass 14.75 x 18.25
8	FB20-07A	Mirror 34 x 14.5
10	H-18-122	Wire guard, lamp
12	H-2-6-8	Leg
13	H-3-10	Vent plug 1.75 diameter
14	H-5-13	Handle, plastic snap-in
15	79191	Product organizer shelf

FB08 & FB20

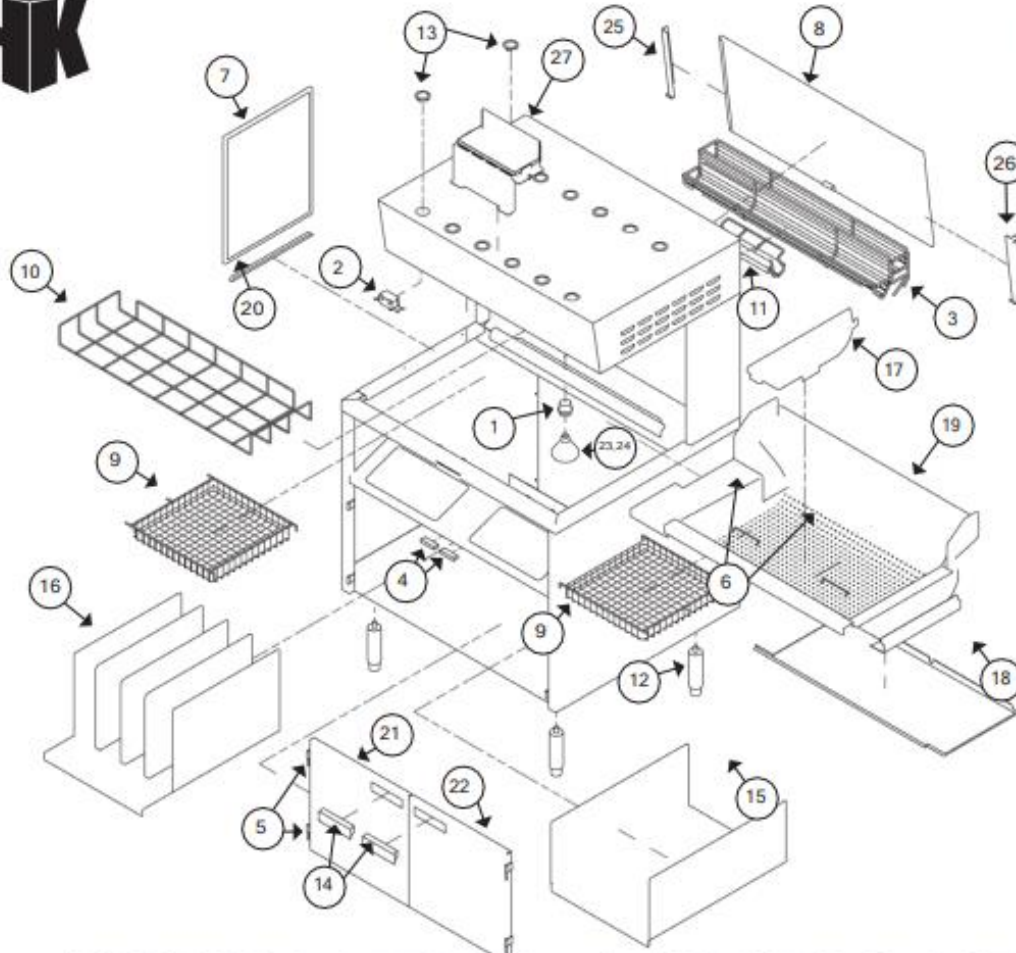
Item	HK#	Description
16	79190	Cup/lid organizer
17	FB20-01A-016	Sorting tray divider
18	FB20-01A-020	Tray, salt aluminum
19	FB20-01A	Sorting tray assy (includes salt tray, divider & fry rack)
20	FB20-05A	Lower bracket end glass
21	CI100-13A	Left hand door
22	CI100-14A	Right hand door
23	PFA-375R40	Clear heat lamp with tuff coat
24	RAW375	Clear infrared lamp
25	FB20-15A-011	RH mirror brkt
26	FB20-15A-012	LH mirror brkt
27	77184	Holder, Accusalt, timer





FRY BAGGING STATION, 36"

FB25/FB25-A



FB25/FB25-A Fry Bagging Station, 36"

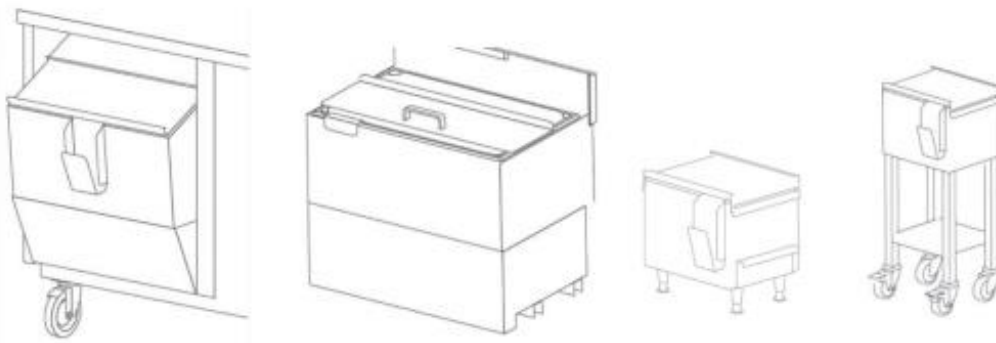
Item	HK#	Description
1	E-1-184	Lampholder snap- in
2	E-1-24	Switch, on/off
3	G-1-106	Fry holding rack
4	H-1-0	Catch magnet, snap in
5	H-1-24-6	Hinge, s/s (req'd welding)
6	H-14-12	S/S handle (req'd welding)
7	FB25-03A	End glass 14.75 x 18.25
8	FB20-07A	Mirror 34 x 14.5
9	H-18-266	Hash brown rack 14x14
10	H-18-280	Wire guard, lamp
11	H-18-321	Kid fry box holder
12	H-2-6-8	Leg
13	H-3-10	Vent plug 1.75 Diameter
14	H-5-13	Handle, plastic snap-in

FB25 FB25-A Fry Bagging Station, 36"

Item	HK#	Description
15	79191	Product organizer shelf
16	79190	Cup/lid organizer
17	FB25-09A-003	Sorting tray divider
18	FB25-09B	Tray, salt aluminum
19	FB25-09A	Sorting tray assy
20	FB25-02A	Lower braket end glass
21	FB25-07A	Left hand door
22	FB25-08A	Right hand door
23	PFA-375R40	Clear heat lamp with tuff coat
24	RAW375	Clear infrared lamp
25	FB25-20A-001	LH mirror brkt
26	FB25-20A-002	RH mirror brkt
27	77184	Holder, Accusalt, timer



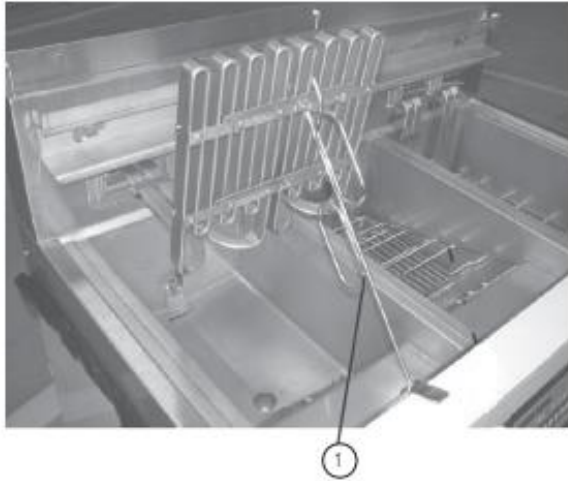
ICE BIN LIDS



Ice Bin Lids					
Key Features	Lid Part No.	Ice Bin Assy No.	Ice Bin Only	False Bottom	Ice Scoop Holder
Sloped Top	C1800-406A (Plastic)	C1800-404A	H- 13-100HC	C1800.404A.002	C1800.404A.005
	79107-04A (Stainless Steel)	C1800-400A	79107	79107-02A	C1800.404A.005
Flat Top	C1100-18A & 77343-00A-015	77341-06A	N/A	77341-01A-006	77341-01A-007
Countertop	71467-01A-003	71467	N/A	71467-01A-005	71467-01A-004
Rolling	71467-01A-003	71466	N/A	71467-01A-005	71467-01A-004

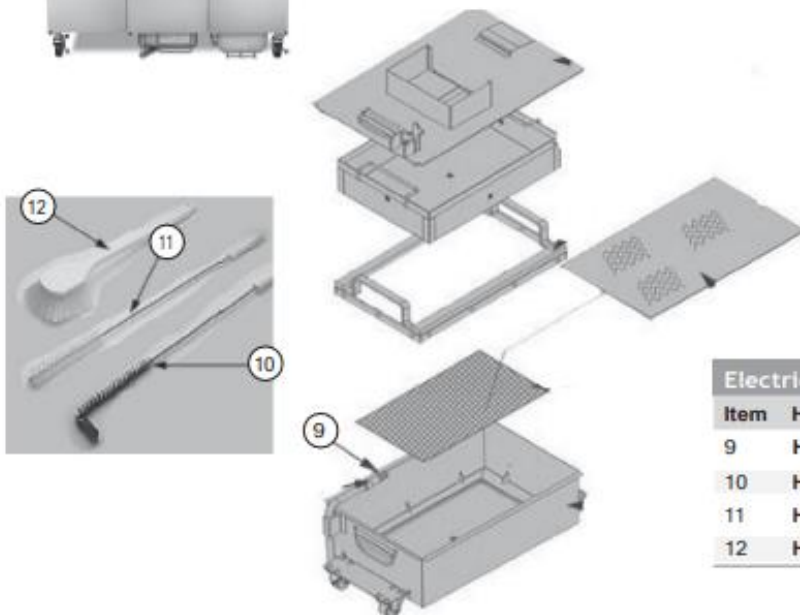
HENNY PENNY.

FRYERS
Electric LOV



Electric LOV Fryers		
Item	HK#	Description
1	HEN74725	Handle - element lift
*	HEN67589	Motor & pump
	HEN85378	Decal, display (200 series only)
	HEN74916	Rack, wire, full Vat (100 series) gas
	HEN76982	Rack, wire, full Vat (200 series) gas
		Vat covers

*Not shown

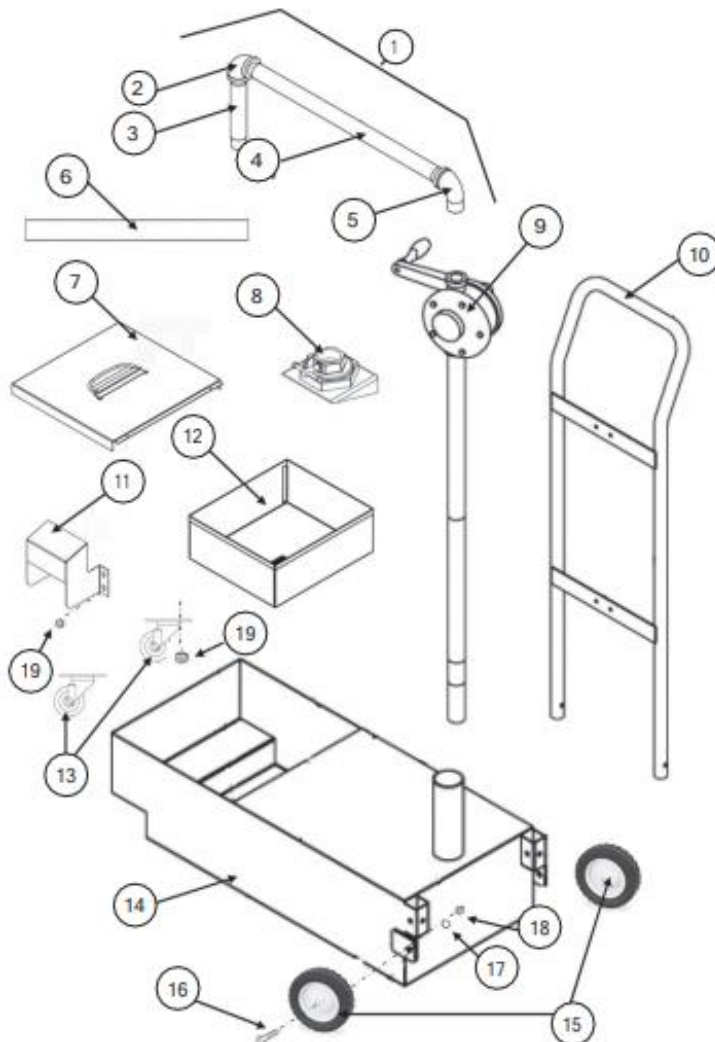


Electric LOV Fryers		
Item	HK#	Description
9	HEN74189	O-ring-pickup tube
10	HEN12126	Brush - black L
11	HEN12112	Brush - straight white
12	HEN12116	Brush - fryer - long handle

OIL DISPOSAL SHUTTLE

ODS-300 (HENODS300.06)

HENNY PENNY.



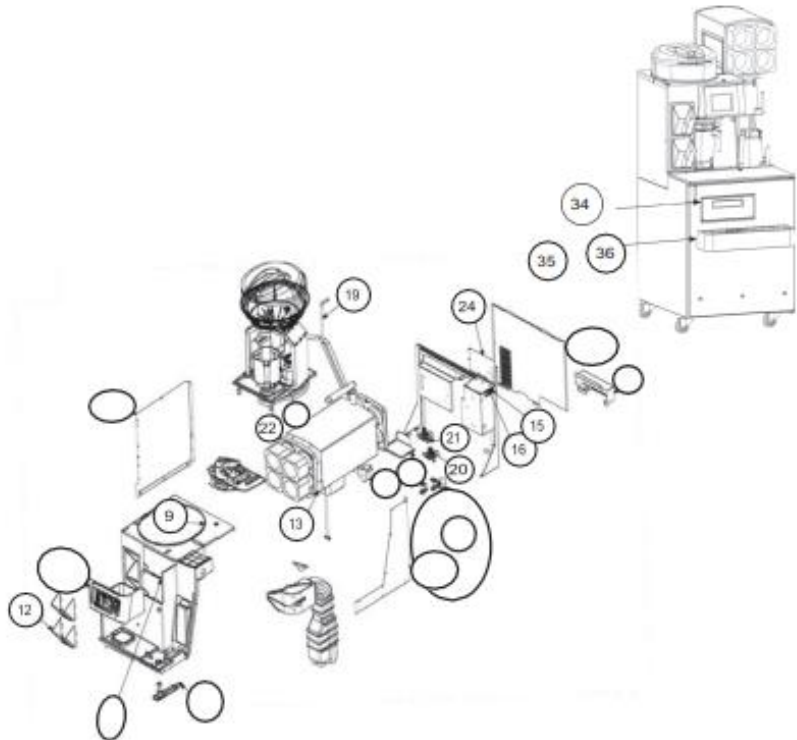
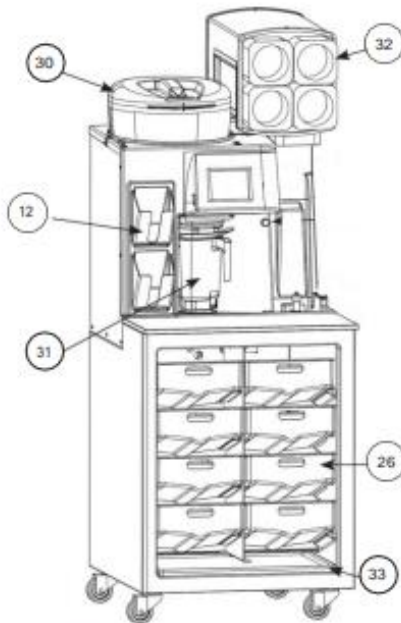
HK# HENODS300.6 Oil Disposal Shuttle

Item	HK#	Description
1	HEN76379	Assy - oil shuttle drain pipe
2	HENFP01-098	Elbow - ½ NPT x 90 female bi
3	HENFP02-039	Nipple - ¼ x 6 Lg-bi
4	HENFP02-056	Nipple - ¼ NPT x 18.25" bi
5	HENFP01-100	Elbow - street ¼ NPT bi
6	HEN76583	Sleeve - 12 x 1 ID silicone RBR
7	HEN77237	Assy - cover LVE drain pan dolly
8	HEN76393	Assy - mtg brkt and adptr
9	HEN72490	Pump - manual oil discard
10	HEN77242	Weld assy - dolly handle
11	HEN77533	Bracket - drain SW engagement LV
12	HEN77337	Basket - crumb
13	HEN19004	Caster 2" swivel plate
14	HEN84003	Weld assy - LVE drain pan dolly
15	HEN77815	Wheel - 8" - LVE
16	HENSC06-074	Screw - ½ x 1-½ shoulder
17	HENLW01-010	Lockwasher - split-ring ⅜ S
18	HENNS01-001	Nut - Hex ⅜-16
19	HENNS02-001	Nut - Hex - Keps #10-32 C
*	HEN161034	Handle, manual oil pump

*Not shown



BLENDED ICE MS-8-1H (MULMS-8-1H)



HK# DELMS-8-1H Blended Ice		
Item	HK#	Description
9	DEL1706145	Cover, ice bin, top
12	DEL1706142	Bracket, lid dispenser
13	DEL1706126	Bracket, pitcher, rinse
15	DEL1706262	Gasket, switch, Bidm
16	DEL2194400	Switch, rocker, 20A
19	DEL1706218	Tube, drain, dipped
20	DEL3547785	Regulator, water, CO ₂
21	DEL3547784	Regulator, pressure, water
22	DEL1706221	Gasket, blender, outlet
*	DEL1706138	Bottle, 16 oz.
*	DEL1702019	Tubing
26	DEL1706268	Product bin
*	DEL9324111	Snap ring (must order (1) HKNINS instruction sheet)
*	HKINS	Instruction sheet
30	DELVMP00133	Ice hopper lid
31	MKC3239630	Blender fill pitcher with single blade

*Not shown

HK# DELMS-8-1H Blended Ice		
Item	HK#	Description
*	MKC3239676	Blender fill pitcher with double blade
*	MKCVMP00139	Blender fill pitcher without blade
*	MKCVMP00150	Double blade replacement
32	DEL1706175	Cup dispenser
33	DEL1703020	Pull out tray
34	DEL000-187-0022-S	Whipped cream door
*	DEL1706191	Door trim insert
35	DEL1706194	Syrup rail
36	DEL1706195	Syrup rail divider
*	DEL3230010	Hinged concealed cart
*	DEL000-BIC-0010-S	Splash shield
*	DEL3547765	Nozzle, rinse
	DEL000BICDEL008S	Cleaning kit
	MKC3239631	Pitcher for cleaning

*Not shown



BLENDED ICE

MS-8-1H (MULMS-8-1H)



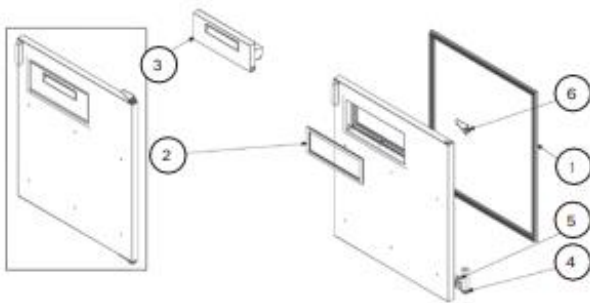
HK# DEL272-BZZ-0002
Splash Guard



HK# DELVMP00131
Nut Wrench



HK# DEL1706191
Door trim insert



HK# DELMS-8-1H Blended Ice

Item	HK#	Description
1	DEL1706208	Gasket, door, smoothie
2	DEL1706209	Gasket, whipped cream
3	DEL000-187-0022S	Door, whipped cream
4	DEL3230010	Hinge, concealed cart.,
5	DEL3234226	Bracket, hinge, Bot RH,
*		Top LH
6	DEL3234228	Bracket, pivot, bottom LH
*	DEL000-187-0014S	Door

*Not shown



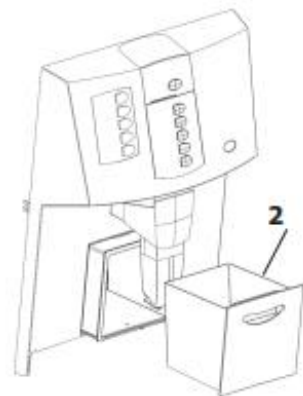


SPECIALTY COFFEE MACHINE

C5-12CFF (CAF-C5-12CFF-E)



HK# CAF-C5-12CFF-E Specialty Coffee Machine		
Item	HK#	Description
1	CAF2255335	Bean hopper & lid (insert sold separately)
	CAF2255345	Bean hopper Insert
	CAF2257010	Bean hopper lid
2	CAF2255243	Waste ground drawer
3	CAF2255250	Drip tray grid
4	CAF17657	Cup stopper half circle
5	CAF2256239	Foamer head
6	CAF2904014	Cleaning pitcher (2 needed)
7	CAF7500014K	Pitcher and cleaner Label - Cafina
8	CAF7500015K	Pitcher and sanitizer Label - Cafina
9	CAF2900018	Jar cleaning tablets (150 tablets)
10	CAF7500007K	Box cleaning tablets (600 tablets)
11	CAF7500012	Twisted wire brush .236
12	CAF7500013	Twisted wire brush 3/4"



SPECIALTY COFFEE MACHINE

Cafina CT8 (26126 Model) (CAF26126)



Cafina CAF26126 Specialty Coffee Machine

Item	Description
CAF2900018	Jar cleaning tablets (150 tablets) 1 container
CAF752909K	Box cleaning tablets (600 tablets) 4 containers
CAF2257017	Drip tray - CT8
CAF7800011	Laminated cleaning instructions - CT8
CAF7800010	Operation manual - CT8
CAF7500014K	Pitcher - labeled cleaner/de-limer
CAF2255432	Label - cleaner/de-limer
CAF27623	Waste grounds drawer - CT8
CAF2257010	Bean hopper - cover only - CT8
CAF2257197	Bean hopper - shell only (no lid) - CT8
CAF7527849	Adapter, bulk milk bag, red
CAF7527850	Adapter, bulk milk bag, blue
CAF9000308	72" of drain hose
CAF26588	Tablet container
CAF20248M	Chip key manager (yellow)
CAF25363	AMC de-limer (50 packets)
CAF20171	O-ring, Melitta, for 26588
CAF2257008K	Knob kit



WATER FILTRATION

EVREV943740, EVREV943741, EVREV943742

HK# EVREV943740, EVREV943741, EVREV943742 Water Filtration		
Item	HK#	Description
1	EVREV313657	Bracket, quad
2	EVREV314245	Shroud
3	EVREV962891	HFUF Cartridge
4	EVREV313540	Pretreatment housing
5	EVRSH144368	Housing wrench
6*	EVREV962714	2SR-BW cartridge
7**	-----	SEN Cartridge
8	EVREV311135	Manifold
9	EVREV313658	Bracket pretreatment
10	EVREV312248	Valve, ball ¼ FNPT x ¼ barb
11	EVREV311450	Valve, check, ¼ NPT female
12	EVREV307850	Support ring
13	EVREV311409	Pressure gauge 160 PSI
14	EVREV311407	Valve, ball ¼ FNPT x ¼ MNPT
15	EVRSH154198	Cap BB WH HFPP ¼" PR MILL
16	EVREV313686	Tubing ¼" ID gray
17	EVREV311403	QC plug
18	EVRSH143495	Tube, silicone
19	EVREV313604	Elbow ¼" FNPT PVC SCH 80 SR
20	EVREV311134	Cap ¼" NPT for O.P.M.
21	EVREV310055	Tee, ¼ NPT, SS Reinforced
22	EVREV313667	Tank, RO-4, ¼" NPT mounted
23	EVREV313470	Head BW, ¼ MNPT x ¼ barb
24	EVREV305783	Barb, ¼" NPT x ¼" hose, nylon
25	EVREV314286	Flow regulator
26	EVREV311133	Universal fitting with ret-ring
27	EVREV313686	Tubing ¼" ID, gray
28	EVREV309977	Hex nipple ¼"
29	EVREV314135	Nipple, ¼" MNPT, machined
30	EVR43445	Power supply with adapters
31	EVR4002956	Controller
32	EVREV313665 EVREV314145	Solenoid valve Solenoid cable
33	EVR61823 EVR1266722	Turbine kit ¼" Turbine cable

*Also available in replacement kits

**Only available in replacement kits

Kit HK#	Description	Cartridge		
		HFUF Pretreatment	SEN	2SR-BW
EVREV962880	Twin Endurance® Cartridge Kit	0	2	1
EVREV962881	Triple Endurance Cartridge Kit			
EVREV962882	Quad Endurance Cartridge Kit	0	4	1
EVREV962891	Endurance SC HFUF Cartridge			

CARTRIDGE CHANGE DETERMINATION

Replace all the Everpure® SEN Filter Cartridges when capacity is reached or if flow becomes inadequate, but at least annually. The cartridges on multiple cartridge systems, including the Everpure® 2SR-BW Scale Inhibitor Cartridge, should be changed at the same time.

CAUTION: If the flow has decreased it is likely that the HFUF Cartridge is damaged.

The HFUF Cartridge should be changed every (3) years.

The system pressure gauges provide a means to read system pressures. The left gauge will show water pressure in front of the SEN Filter Cartridges. The second (right) gauge shows water pressure after the SEN Cartridges and going to the applications. The difference between the two pressures is an indication of the pressure drop through the SEN Cartridges. A large drop in the pressure during normal operation, > 30 psig (2.07 bar), will be caused by plugged SEN Cartridges. In this case, the SEN and HFUF Cartridges should be changed.

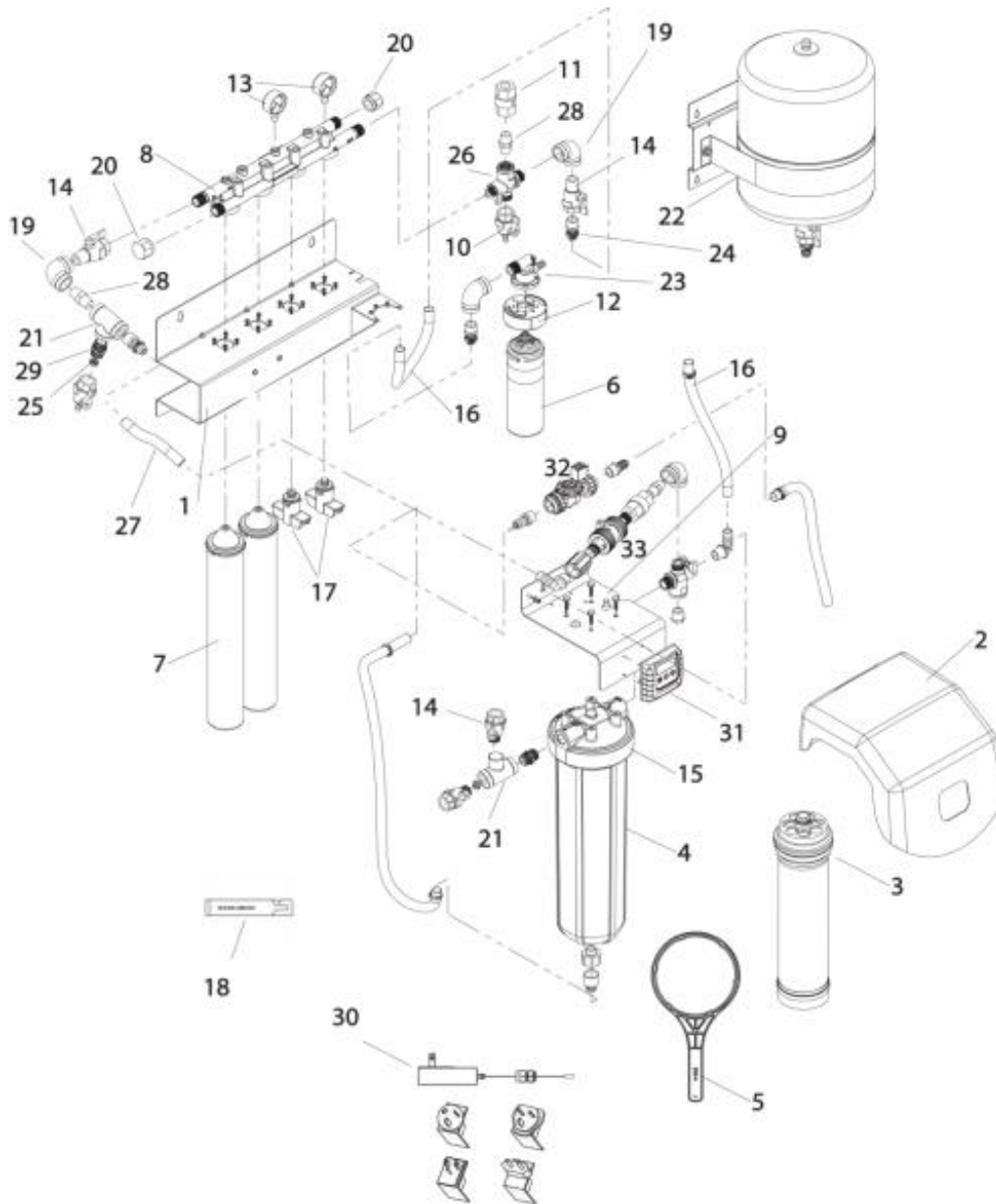
NOTE:

If visible particles are on the top surface of the HFUF, these could lead to plugging or damage to the hollow fibers. Use a screen or pleated filter to prevent these particles from entering the HFUF pretreatment.



WATER FILTRATION

EV943740, EV943741, EV943742





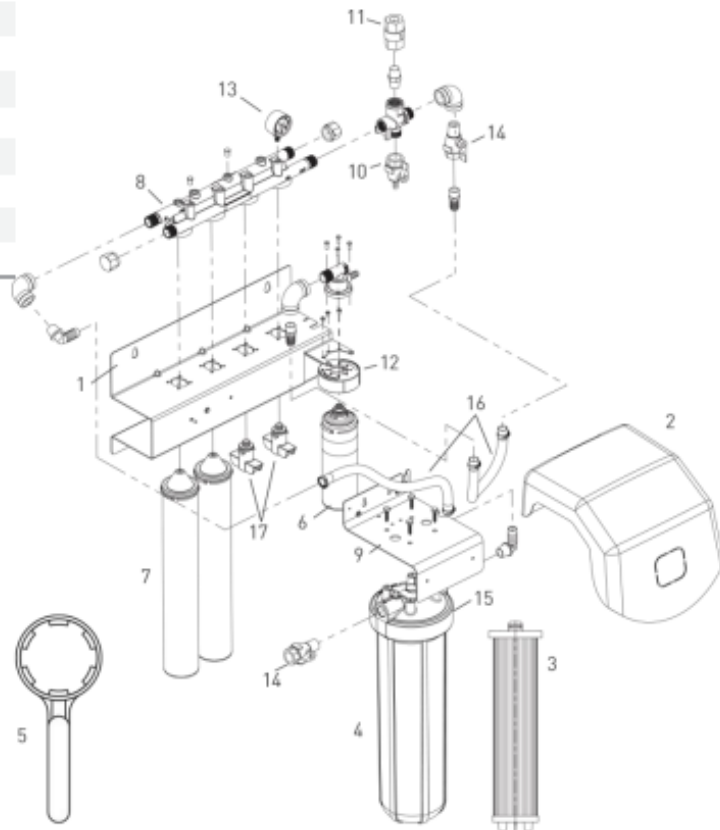
WATER FILTRATION

EV943730, EV943731, EV943732

HK# EV943730, EV943731, EV943732 Water Filtration		
Item	HK#	Description
1	EVREV313657	Bracket, quad
2	EVREV313659	Shroud
3*		Pleated endurance HF Cartridge
4	EVR153087	Pretreatment housing
5	EVR144368	Housing wrench
6	EVREV962714	2SR-BW Cartridge
7*		SEN cartridge
8	EVREV311135	Manifold
9	EVREV313658	Bracket, pretreatment
10	EVREV312248	Valve, ball ¼ MNPT x ¼ barb
11	EVREV311450	Valve, check ¼ NPT female
12	EVREV313470	Head BW, ¼ MNPT x ¼ barb
13	EVREV311409	Pressure gauge 160 PSI
14	EVREV311407	Valve, ball ¼ FNPT x ¼ MNPT
15	EVR154198	Cap BB WH HFPP ¼" PR MILL
16	EVREV313686	Tubing ¼" ID gray
17	EVREV310876	Bypass plug

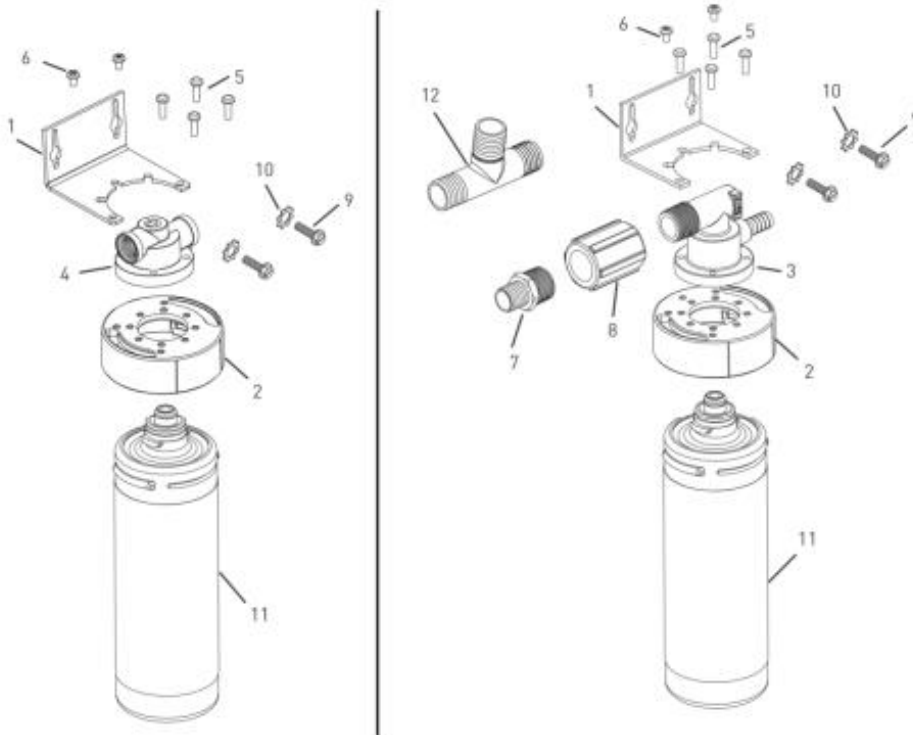
Kit HK#	Description	Cartridge		
		P1 -Treatment	SEN	2SR-BW
EVREV962870	Twin endurance cartridge kit	1	2	1
EVREV962871	Triple endurance cartridge kit	1	3	1
EVREV962872	Quad endurance cartridge kit	1	4	1

*Only available in replacement kits



WATER FILTRATION

EV979870 2SR-BW, EV979875 2SR-BW QL2



HK# EVR-EV979870, EVR-EV979875
Water Filtration

Item	HK#	Description
1	EV304644	Bracket, power coated
2	EV307850	Support ring
3	EV313470	Head BW, 3/4 MNPT x 1/2 barb
4	EV306731	Head, LC, BW, ringlet, 1/2 NPT
5	EV303449	Screw mach #10-32 x 1/4 18-8 s/s
6	EV306203	Screw mach #10-32 x 1/16 PLTD

HK# EVR-EV979870, EVR-EV979875
Water Filtration

Item	HK#	Description
7	EV314234	Fitting, 1/4" barb x 1/4 MNPT
8	EV311408	Coupling, 1/4 FNPT
9	EV306196	Screw tap #10-12 x 1/4 PLTD
10	EV306204	Washer lock #10 EXT tooth PLTD
11	EV962714	Cartridge, 2SR-BW
12	EV314295	Tee, 1/4 barb s/s





WATER FILTRATION

EVR-EV9337-26

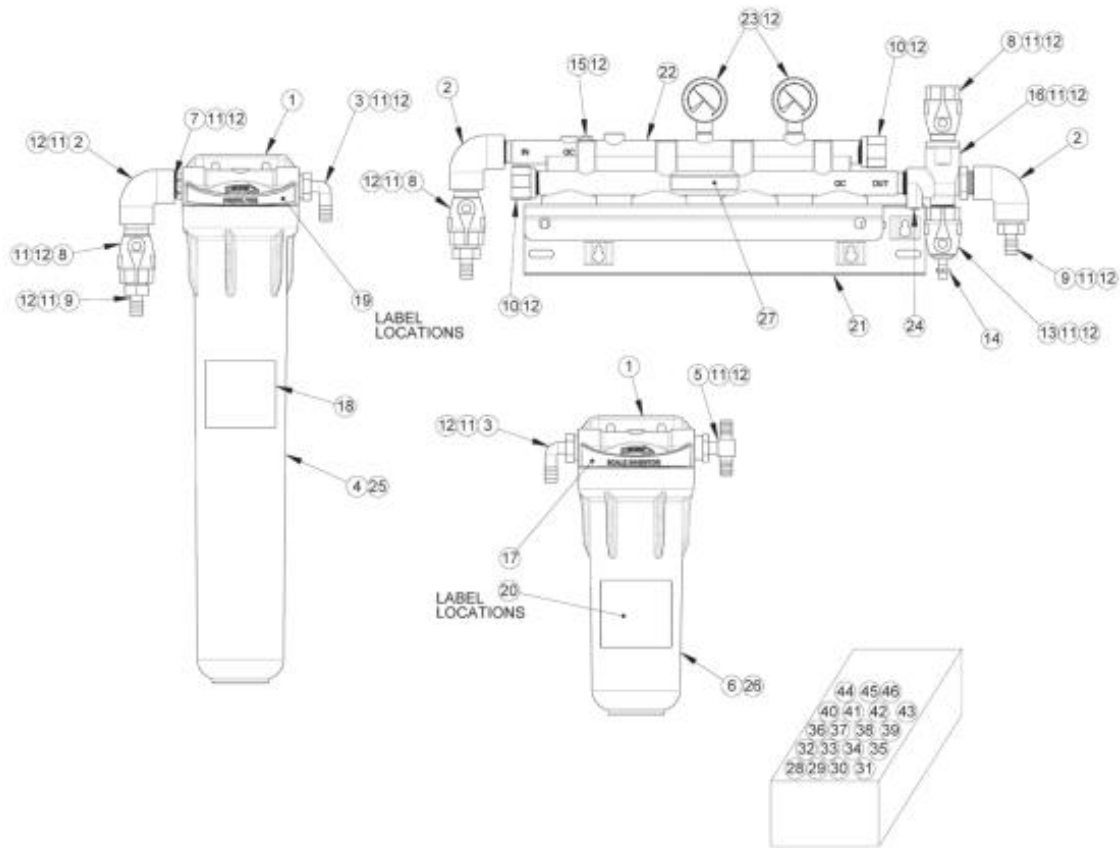
HK# EVR-EV9337-26 Water Filtration			
Item	HK#	Description	Qty.
1	EV154981-06	Cap 3G 3/4" IB with PR EV	2
2	EVREV309978	Elbow 3/4" F-NPT PVC SCH 80	3
3	EVREV312185	Elbow, 3/4 NPT x 1/2 barb PP	2
4	EVR15399-06	Sump, 20" 3G STD BK PP 8/C	1
5	EVREV311828	Tee, 3/4 NPT x 1/2 barbs, s/s	1
6	EVR153196-06	Sump, 10" 3G STD BK PP 12/C	1
7	EVREV312295	Adapter, 3/4" MNPT x 3/4" MNPT	1
8	EVREV311407	Valve, ball 3/4 FNPT x 3/4 MNPT	3
9	EVREV312186	Fitting, 3/4 NPT x 1/2 barb PP	3
10	EVREV311134	Cap 3/4" NPT for O.P.M.	2
11	EVREV087103	Tape teflon	.06 RL
12	EVREV311257	Loctite sealing cord 55	72"
13	EVREV312248	Valve, ball 3/4 FNPT x 1/2 barb	1
14	EVREV312382	Clamp, DBL snap-grip hose/tube	1
15	EVREV442900	Plug, 1/2 NPT, PE	1
16	EVREV311133	Universal fitting with ret-ring	1
17	EVREV311246	Label scale inhibitor	1
18	EVREV311247	Label E-Series filter system	1
19	EVREV311245	Label prefilter	1
20	EVREV311248	Label, SR-X scale inhibitor	1
21	EVREV11183	Box bracket quad for O.P.M.	1
22	EVREV311135	Manifold, one piece quad	1
23	EVREV311409	Gauge PRS 2" 1/2 LM 160 PSI s/s	2

HK# EVR-EV9337-26 Water Filtration			
Item	HK#	Description	Qty.
24	EVREV305390	Screw tap #10-16 x 1/2 410SS	17
25	EVREV953420	A-EC210 Cartridge 20/pk.	0.05
26	EVREV979932	SS-IMF with seal	0.083
27	EVREV311181	Manifold label, high flow CSF	1
28	EVREV309653	Box 3 (for tray "A & C")	1
29	EVREV309655	Stuffer 2 (for box 3)	2
30	EVREV309656	Tray A 25-1/2 x 13-3/4 x 12	1
31	EVREV309658	Tray C	1
32	EVREV309659	Tray stuffer (tray A)	2
33	EVREV309660	Convuluted foam	1
34	EVREV310123	Zebra label 4 x 10	1
35	EVREV089088	Tape reinforced brown	.02 RL
36	EVREV312101	Cart assy/wrap MPII - MC(2)	1
37	EVR151120	O-Ring, for O.P.M. FLTR HSG	3
38	EVREV311469	Spacer SS-IMF	1
39	EVREV311278	I/O Guide high flow CSR SYSTS	1
40	EVREV310352	Bag poly printed	1
41	EVREV310547	Elastic loop band	1
42	EVREV308290	Staple 1/2 large	8
43	EVR150295-06	SW-2 Wrench, bulk 50/C	1
44	EVREV309683	Stretch film	.01 RL
45	EVREV312524	Instruction sheet, hose-barb	1
46	EVREV313200	Bubble wrap, 3/2"	1'



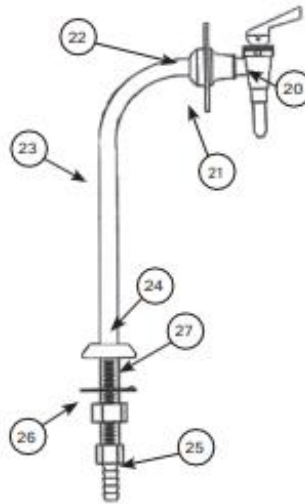
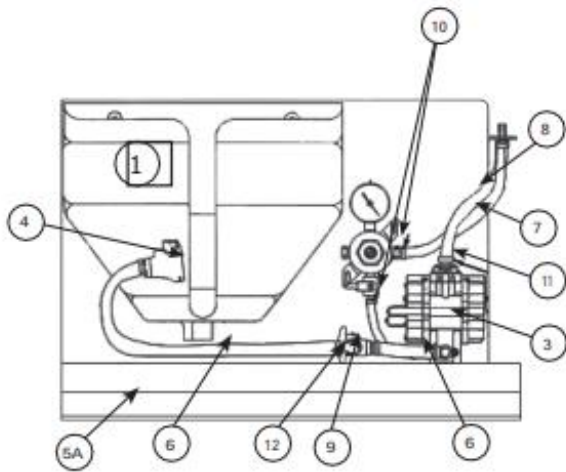
WATER FILTRATION

EVR-EV9337-26



CO₂ "FRONT OF HOUSE" KETCHUP DISPENSER

MCD-1 (PERMCD-1), MCD-2 (PERMCD-2)



HK# PERMCD-1, PERMCD-2 CO2 "Front of House" Ketchup Dispenser

Item	HK#	Description
1	PER04-C025	Plastic condiment saddle
3	PER00-C010	Condiment pump
4	PER11-C050	Bag connector body (connects bag to system)
4	PER-11-C060	Bag connector cap (attaches to bag)
5a	PER50-0305	24" slides (pair)
6	PER15-C015	Clear vinyl tubing
7	PER15-C040	1/4" Soft braided tubing
8	PER15-C000	1/4" Soft braided tubing
9	PER12-C057	Manual changeover valve
10	PER09-0567	12.3 tab clamp
11	PER09-0610	17.0 tab clamp

*Not shown

HK# PERMCD-1, PERMCD-2 CO2 "Front of House" Ketchup Dispenser

Item	HK#	Description
12	PER09-0625	21.0 tab clamp
20	PER20-C012	Black sureshot valve
21	PER03-C074K	Ketchup product label
*	PER03-C074M	Mustard product label
*	PER03-C074BBQ	BBQ product label
22	PER01-C106	Upper collar
23	PER01-C100	Tube, dispensing column
24	PER01-C107	Lower collar
25	PER09-C069	3/4"-18 s/s Hex nut
*	PER12-C027	3/4" Barb x 3/4" dome, plastic
26	PER13-0680	3/4" - 18 Hex nut
27	PER13-0780	Washer

*Not shown



HK# PER11-C050
Bag Connector Body



HK# PER11-C060
Bag Connector Cap



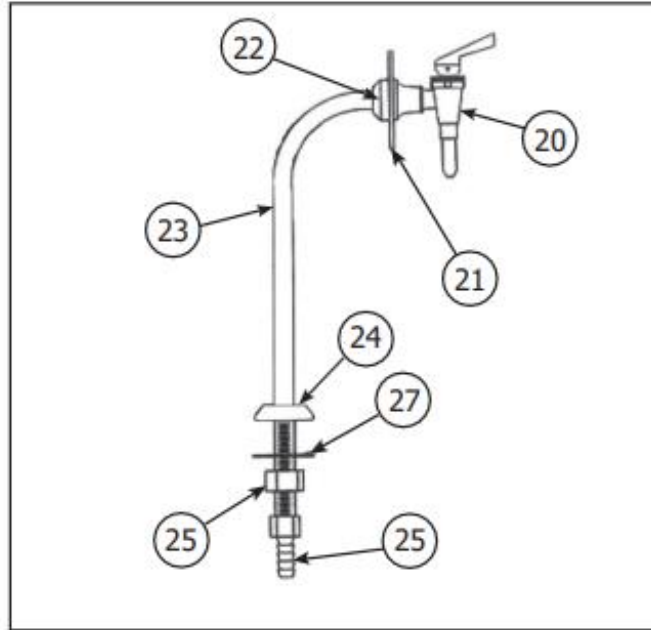
HK# PER-30-0081
Conversion Kit MCD-1 to MCD-2

HK# PER01-C111
Assembly for Front of House



CO₂ "BACK OF HOUSE" KETCHUP DISPENSER

MCD-IFF, MCD-IFFDS



01-C112
Complete Assembly for Back of House

HK# PERMCD-1FF, PERMCD-1FFDS
CO₂ "Back of House" Ketchup Dispenser

Item	HK#	Description
1	PER04-C025	Plastic saddle
3	PER00-C010	Condiment pump
4	PER11-C050	Bag connector body
*	PER11-C060	Bag connector cap
6	PER15-C015	Clear vinyl tube
7	PER15-C040	¼" ID braided tube
8	PER15-C010	½" ID braided tube
12	PER09-0625	21.0 Tab clamp
20	PER20-C009	Sureshot valve
*	PER01-C111	PT-1 Complete assembly
25	PER12-C029	⅜" FPT A ½" barb plastic
*	PER20-C012	Valve, sure shot, black

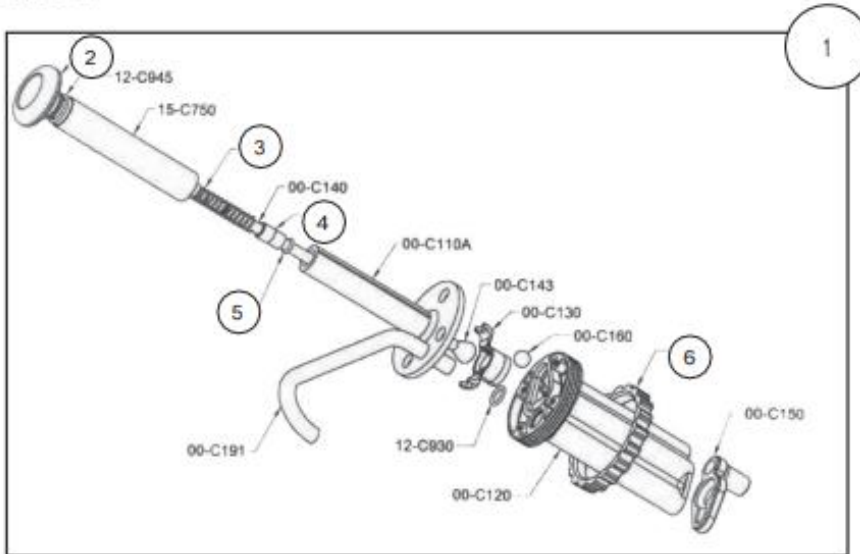
*Not shown





CONDIMENT PUMP

PP1000-2



HK# PER00-C230
Inset, 7 qt.



HK# PER00-C200
Plastic fountain jar,
2 qt., 7" deep

HK# PER00-C202
Plastic fountain jar,
3 qt., 9" deep

HK# PER00-C230
S/s pan



HK# PER00-C206
Pump lock (for 2 & 3 qt.)

HK# PER00-C226
Pump lock (for 7 qt.)

HK# PERPP1000-2 Condiment Pump

Item	HK#	Description
1	PERMCD-PP1000-2	Complete pump assembly
2	PER00-C180	Handle
3	PER21-C722	Spring
4	PER00-C170	Follower
5	PER12-C940	Piston rod o-ring
6	PER00-C190	Nut



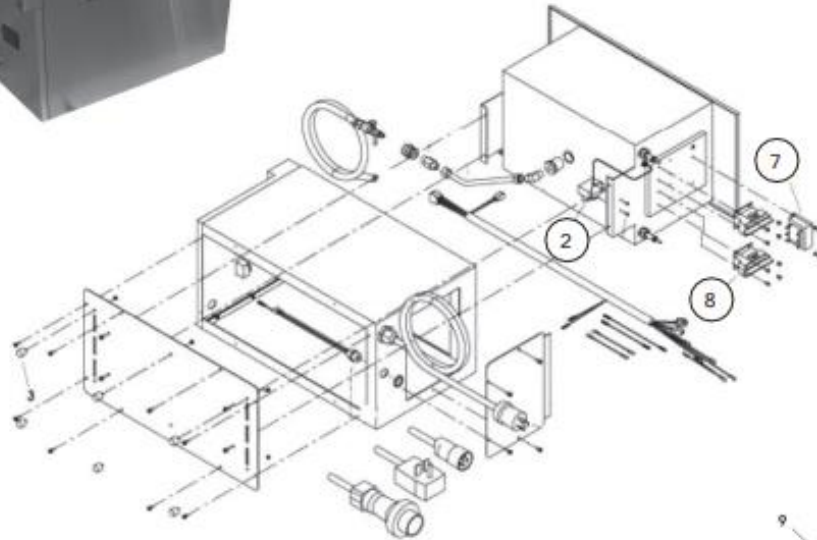
HK# PER03-0201
MCD-PP1000-1 KIT



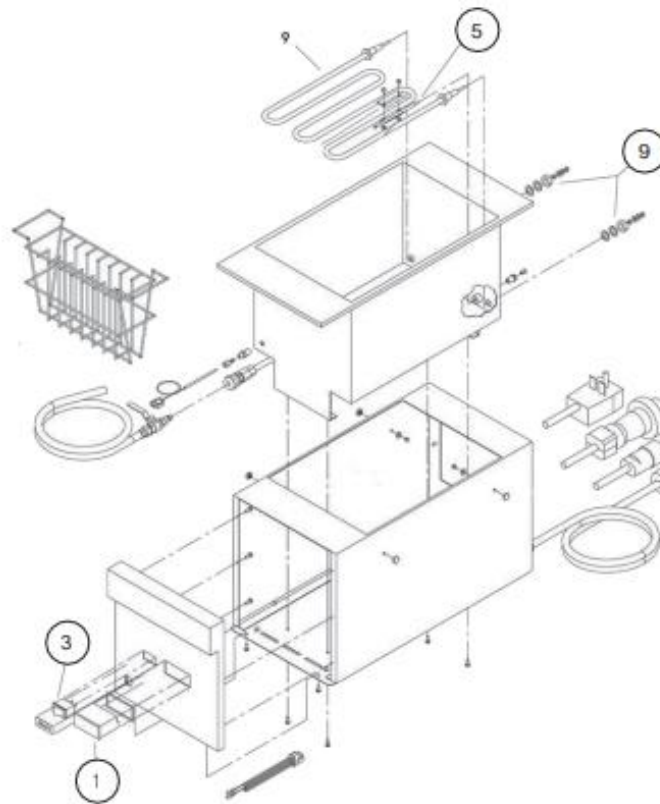
HK# PER03-0202
MCD-PP1000-2 KIT

COUNTERTOP RETHERMALIZER

CRTE



Bottom Rear View Parts List		
Item	HK#	Description
2	PIT60128601	Hi-limit switch
3	PIT60129201	Rubber leg
7	PITPP10210	Transformer
8	PIT60131201	24V Contactor



Top Front View Parts List		
Item	Part No.	Description
1	PIT60089502	Digital thermostat
3	PITPP10995	Rocker switch
5	PIT60128601	High limit switch
9	PITP5046965	6 KW element



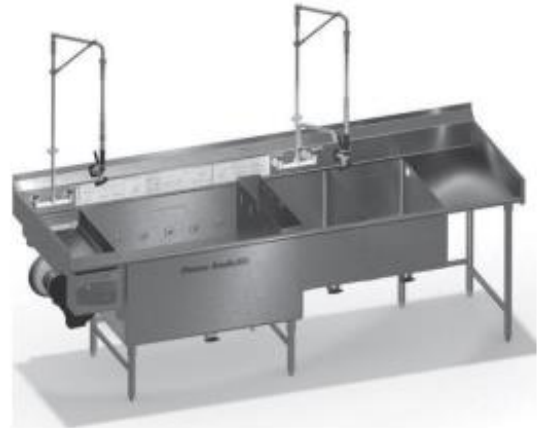
SINK SYSTEM

200PSS120L21D1

Power Soak 

Pump Parts Common to All

HK#	Description
MCT28920	Seal kit
MCT27886	Thermodisc - motor - thermal cutoff
MCT27047	Intake gasket
MCT27132	Discharge gasket
MCT27480	Mechanical seal
MCT27475	O-Ring - sleeve
MCT27476	O-Ring - seal plate
MCT27477	Key
MCT27478	Impeller bolt
MCT27479	Fiber washer
MCT27481	Sleeve
MCT27483	Cap screw - seal plate
MCT28262	Dowel pin



Heater

HK#	Description
MCT27743	Element - 230 volt - rev. A - ribbon - rear mount
MCT27744	Element - 460 volt - rev. A - ribbon - rear mount
MCT27839	Gasket for Chromolox heater
MCT29243	Element - 208 volt -rev. B - wire - bottom mount
MCT27930	Element - 230 volt -rev. B - wire - bottom mount
MCT29244	Element - 380 volt -rev. B - wire - bottom mount
MCT27939	Element - 480 volt -rev. B - wire - bottom mount
MCT27934	Gasket for Accutherm heater
MCT27702	Cover - rev. A - front mount - 17"
MCT27934	Cover - rev. B - angle mount - 14"
MCT29654	Cover - rev. C - after 02/05/04 - 12"
MCT27934	Bolt - heater cover
MCT18797	Terminal strip - heater
MCT27926	Thermistor - temperature sensor
MCT28454	Thermodisc - heater - thermal cutoff
MCT27322	Sensor pad
MCT28928	Heatsink compound
MCT28881	Glue dot

Control Panel

Part #	Description
MCT27901	Control panel 220 volt single phase
MCT27902	Control panel 220 volt three phase
MCT27903	Control panel 480 volt three phase
MCT27171	Contactora
MCT27172	Transformer - 24 volt
MCT27920	UPM - programming module
MCT27923	Terminal block
MCT27924	Grounding block
MCT27925	Din Rail - mount for terminal blocks
MCT27928	Triac - solid state relay
MCT28923	Fuse block
MCT27927	Heatsink
MCT27200	Overlay - start/stop membrane
MCT27922	Wiring harness - internal to control panel



SINK SYSTEM

200PSS120L21D1



Miscellaneous

HK#	Description
MCT23987	Liquid level sensor
MCT23988	Gasket - liquid level sensor
MCT27847	Wiring harness - wash
MCT27848	Wiring harness - sanitize
MCT28065	Wiring harness extension - 3'
MCT28066	Wiring harness extension - 6'
24750MCT	Utensil basket
MCT27854	Chemical injector
MCT27854	Connector - chemical injector
MCT28553	Cap - chemical injector
MCT27855	Gasket - chemical injector

Dual Pump Chemical Dispenser

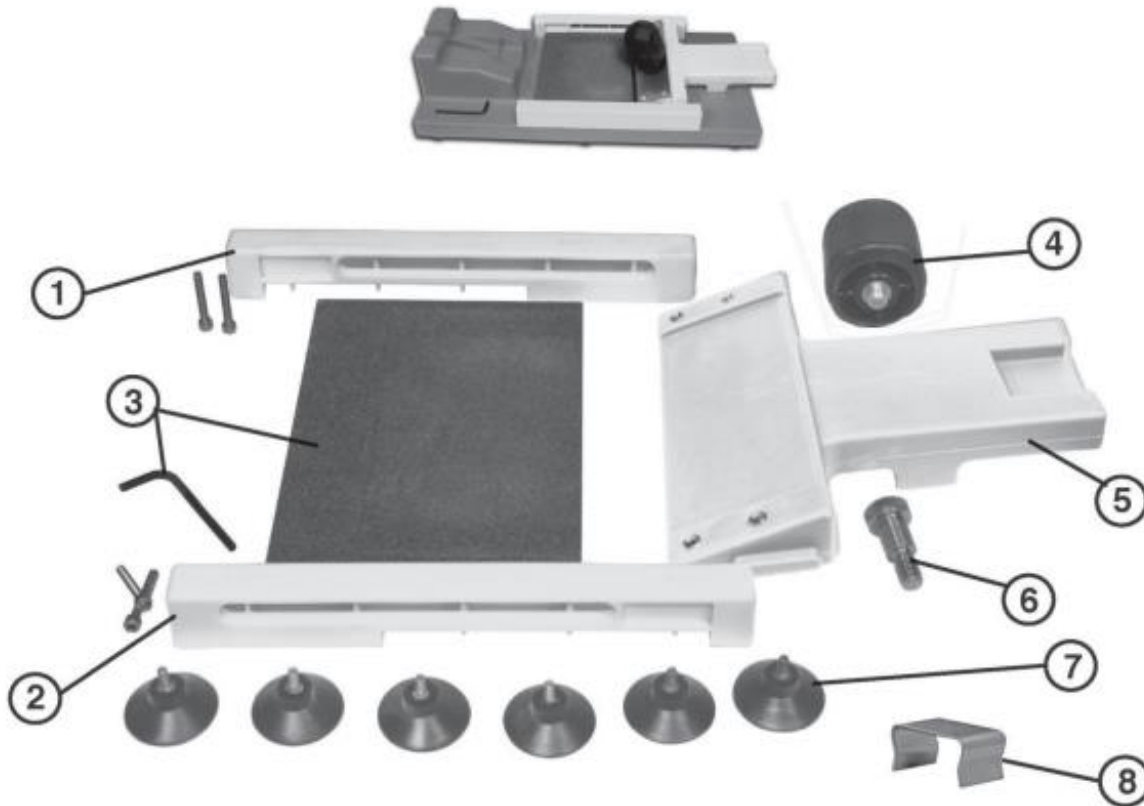
HK#	Description
MCT28900	Chemical dispenser - dual pump - generic
MCT28370	Chemical dispenser - dual pump - Kay Chemical
MCT29233	Timer - solid state
MCT29230	Button guard - metal
MCT29231	Switch - MOM - N/O - metal
MCT29232	Rectifier - bridge
MCT29235	Lock & key
MCT29234	Motor - 24 volt - 120 RPM
MCT28067	Wiring harness - soap dispenser
MCT29236	Hook & loop
MCT29237	Screw - #8-32 x 1/2" flat Phillips s/s
MCT29238	Spring cone
MCT29239	Screw - #10-24 x 1-1/4" pan Phillips s/s
MCT29240	Pump - 2 CC power wash
MCT29241	Tape - double sided foam
MCT29242	Key
MCT28703	Screw, #6-32 s/s
MCT28704	Nut, hex #6-32 s/s
MCT103-014	Nut Sert, #10-24 TSN
MCT27858	Gasket, soap dispenser, PS-200
MCT28557	Overlay, soap dispenser, Kay Chemical
MCT28901	Overlay, soap dispenser, generic
MCT29145	Terminal Fork 22-18 #8 insulated
MCT28555	Decal, overlay, Metcraft service



COZZINIPRIMEEdge

GRILL TOOL SHARPENER

HGS-1 (PDGHGS-1)



Spare Parts List		
Item	HK#	Description
1	PDGHGS-9502	Side rail-right with bolts
2	PDGHGS-9501	Side rail-left with bolts
3	PDGHGS-780	Sharpening stone with Allen wrench
4	PDGHGS-403	Spatula tightening knob
5	PDGHGS-503	Spatula guide (yellow plastic with brass threaded inserts only)
6	PDGHGS-101	Spatula shoulder bolt
7	PDGHGS-9400	Suction cup footing (6 pcs.)
8	PDGHGS-410	Wear clip

UNIVERSAL HOLDING CABINET

UHC6PT-22MCD (PCCUHC6PT-22MCD)



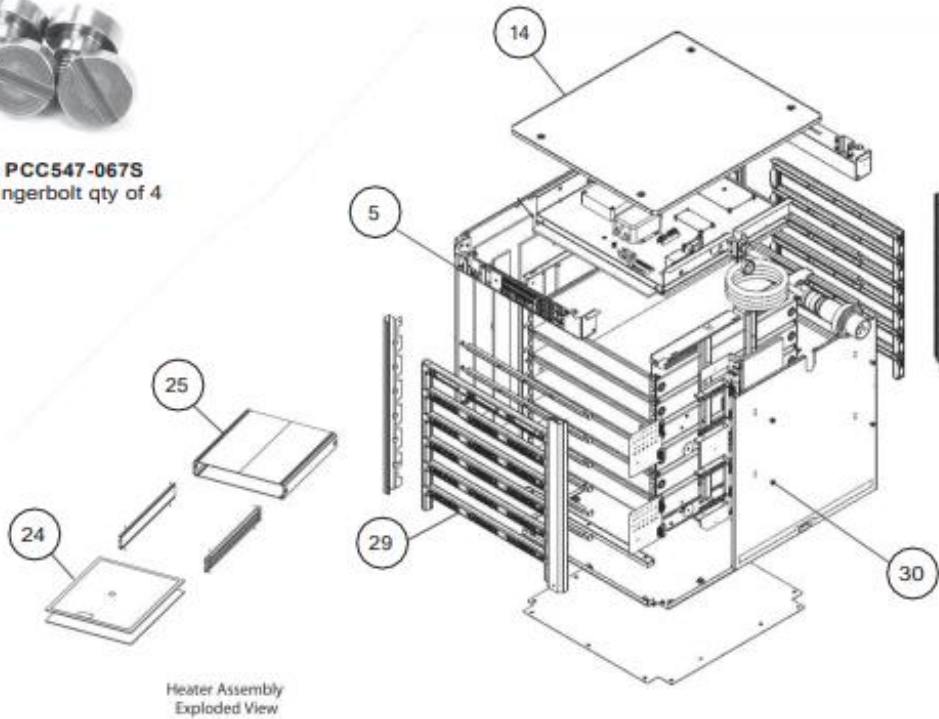
HK# PCCUHC6PT-22MCD Universal Holding Cabinet

Item	HK#	Description
5	PCC547-033	MCU Assembly
14	PCC547-020	Lid
24	PCC547-061	
25	PCC547-048	Heater insulation wrap
29	PCC547-303S	UHC display bar
30	PCC547-067	Hanger bolt
*	PCC547-111	IUC Mount

*Not shown

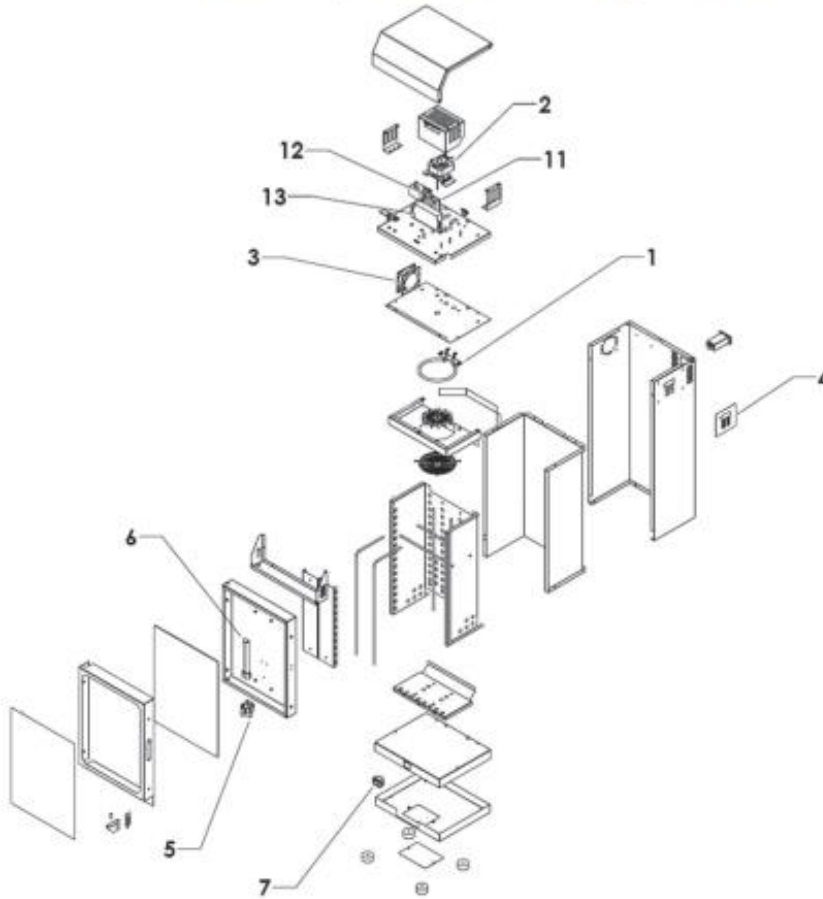


HK# PCC547-067S
Kit, hangerbolt qty of 4



PRINCECASTLE

PIE MERCHANDISER
524-MCD (PCC524-MCDUS), 524-MDCCE (PCC524-MDCCE)



HK# PCC524-008S
Kit, pie caddy

HK# PCC524-MCD, PCC524-MDCCE Pie Merchandiser

Item	HK#	Description
1	PCC524-002S	Heating element
	PCC524-002CES	Heating element (MDCCE)
2	PCC524-003S	Motor with fan
	PCC524-003CES	Motor with fan (MDCCE)
3	PCC524-004S	Cabinet fan
	PCC524-004CES	Cabinet fan (MDCCE)
4	PCC524-005S	Controller/display PCB
5	PCC524-006S	Light socket
6	PCC524-007S	Light bulb
7	PCC78-233S	Power switch
9*	PCC72-200-15S	Power cord

* Not Shown

HK# PCC524-MCD, PCC524-MDCCE Pie Merchandiser

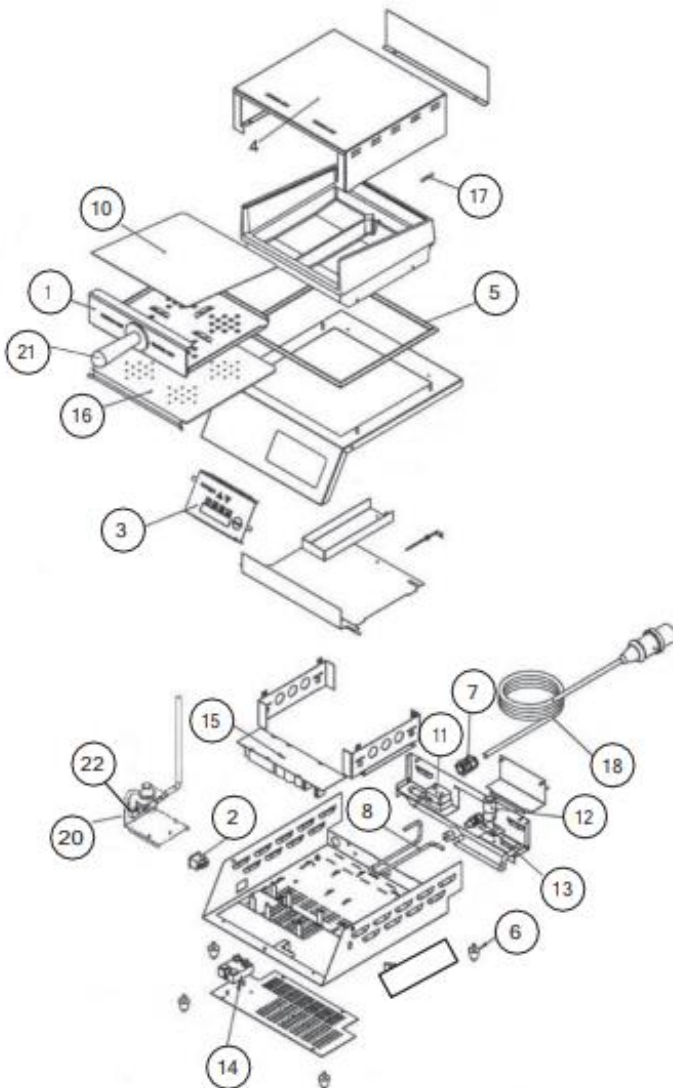
Item	HK#	Description
11	PCC524-009S	Power PCB
	PCC524-009CES	Power PCB (MDCCE)
12	PCC65-058S	Relay
13	PCC524-010S	Ballast
	PCC524-010CES	Ballast (MDCCE)
14*	PCC524-011S	Temperature probe
*	PCC524-015S	Hi-limit switch
*	PCC524-015CES	Hi-limit switch (MDCCE)
*	PCC524-016S	PC display overlay

* Not Shown

RAPID STEAMER

625-MFY (PCC625-MFYC)

PRINCECASTLE



HK# PCC625-MFYC Rapid Steamer		
Item	HK#	Description
1	PCC625-128S	Spatula assembly
2	PCC78-233S	Power switch, 20A
3	PCC625-193S	Membrane switch assy.
4	PCC625-158S	Cover, top
5	PCC625-130S	Gasket, silicone
6	PCC197-232	Feet, 4/pk.
7	PCC66-045S	Strain relief for power cord
8	PCC625-357S	Silicone water tube
10	PCC625-064S	Top plate
11	PCC625-207S	Hi-limit thermostat
12	PCC625-319N	Water valve assy
13	PCC625-318S	Water valve connector
14	PCC65-059S	Relay, 40A
15	PCC625-323S	PC Power board
16	PCC625-065S	Venturi plate
17	PCC625-082S	Probe, 1000 OHM RTD
18	PCC72-386S	Line cord assy.
20	PCC625-253S	Regulator assy. kit
21	PCC625-097S	Spatula handle kit
22	PCC86-359S	Male quick disconnect fitting
*	PCC86-365S	Water strainer Body
*	PCC625-204S	Display/control board
*	PCC625-196S	Platen Bushing
*	PCC625-324S	O-Rings for male quick disconnect, 5/pk.
*	PCC88-787S	Fuse holder
*	PCC625-244	Connector, water line
*	PCCKBV19324	Kit, water line
*	PCC86-569S	Kit, water strainer

*Not shown

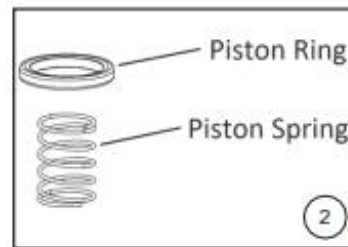
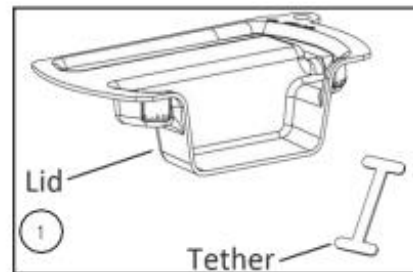
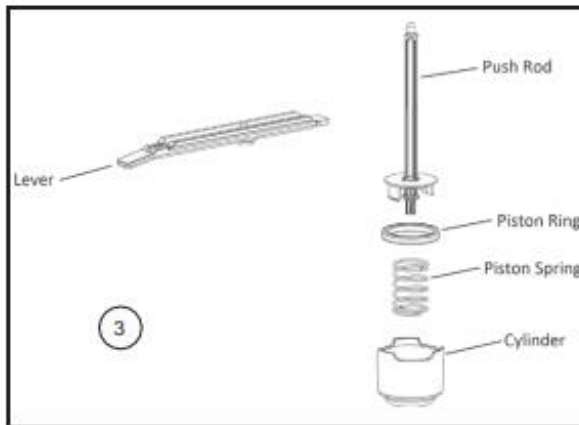
PRINCECASTLE™

HK# PCC406-AN Ketchup Dispenser

Item	HK#	Description
*	PCC406-151	Narrow container
1	PCC406-152S	Narrow lid & tether (set of 3)
2	PCC406-069RS	Piston ring & spring (set of 2)
3	PCC406R.INTS	Kit, Ketchup Dispenser, Internal Parts Lever, push rod, piston ring, piston spring & cylinder
	PCC404-072S	Kit, Ketchup Dispenser, Ring/Rod
	PCC404B-068S	Lever, Ketchup Dispenser

*Not shown

KETCHUP DISPENSER 406-AN (PCC406-AN)



HK# PCC404-069S
Ring, ketchup (5/pk)

MUSTARD DISPENSER

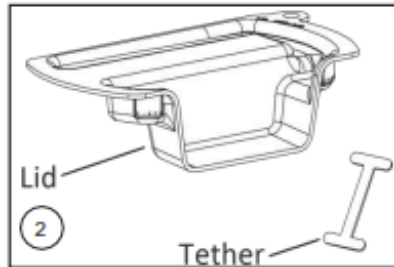
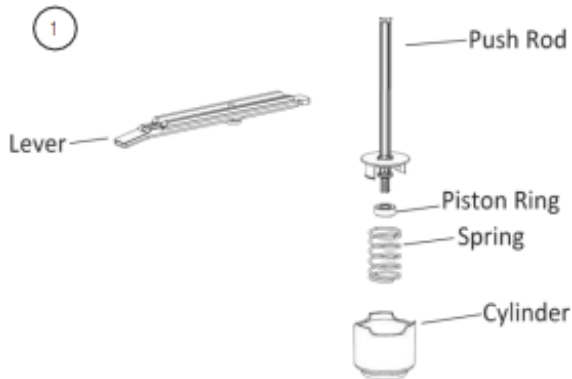
398-CN (PCC398-CN)

PRINCECASTLE™



HK# PCC398-CN Mustard Dispenser		
Item	HK#	Description
*	PCC398-112	Narrow container with handle
1	PCC398-INTS	Kit, Mustard Dispenser, Internal Parts Lever, push rod, cylinder, piston ring & spring
2	PCC406-152S	Lid & tether (set of 3)
	PCC398-007S	Spring, mustard dispenser
	PCC398-072S	Kit, Mustard Dispenser, Ring/Rod
	PCC404B-070S	Lever, Mustard Dispenser

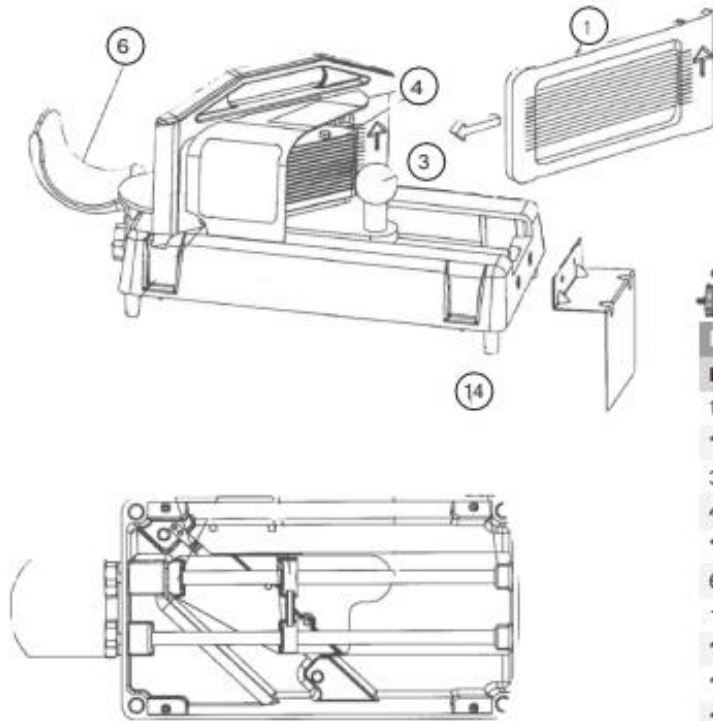
*Not shown



PRINCECASTLE

TOMATO SABER

943-DMCL (PCC943-DMCL)



HK# PCC943-DMCL Tomato Saber

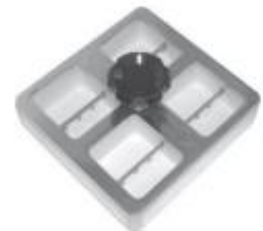
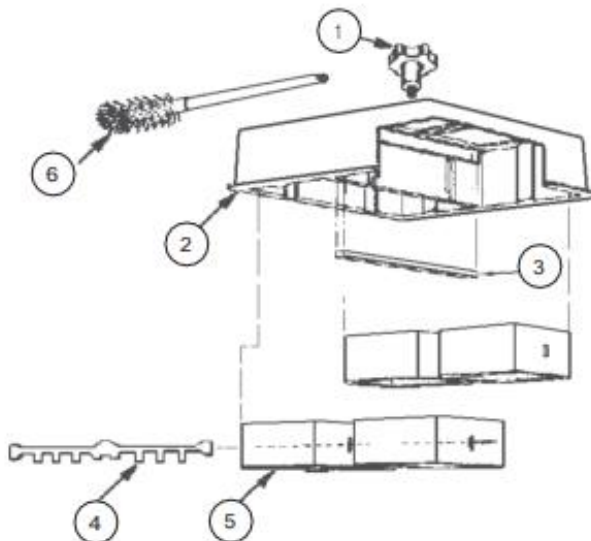
Item	HK#	Description
1	PCC943-041A	Blade assy. 7/32" slice
*	PCC943-039A	Blade assy. 1/4" slice
3	PCC943-077S	Pusher handle with mounting screws
4	PCC943-052	Tomato pusher assy. 7/32"
*	PCC943-051	Tomato pusher assy. 1/4"
6	PCC943-018S	Tomato catcher
14	PCC943-042	Cleaning brush
*	PCC943-038A	Blade, 3/8" replacement set
*	PCC943-006S	Plate, carriage w/bearings
*	PCC943-050	Pusher, assy, 3/16", for 943 slicer

*Not shown

PRINCECASTLE

MANUAL EGG SCRAMBLER

804EGG (PCC804-S2)



Item	HK#	Description
1	PCC804-5	Black knob
2	PCC804-6	Scrambler frame
3	PCC804-11	4-pack of cushions
4	PCC804-10	2-pack of combs
5	PCC804-1	Individual egg rings
6	PCC252754	Blue bristle cleaning brush

HORIZONTAL CORE BUN TOASTER

CBT-1PS (PCCCBT-SB-NA-1PS)

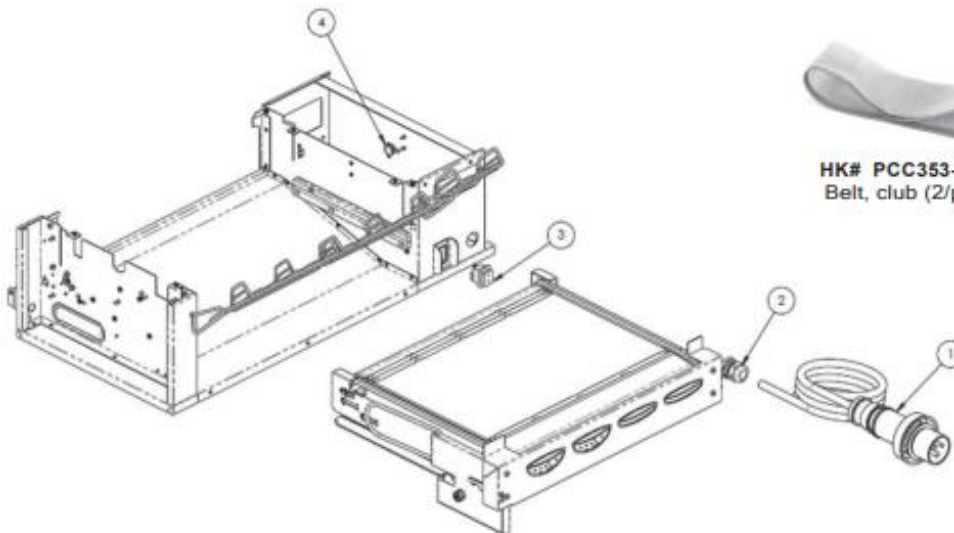


HK# PCC353-053S
Clip, release sheet for CBT

PRINCECASTLE



HK# PCC353-322
Belt, club (2/pk.)



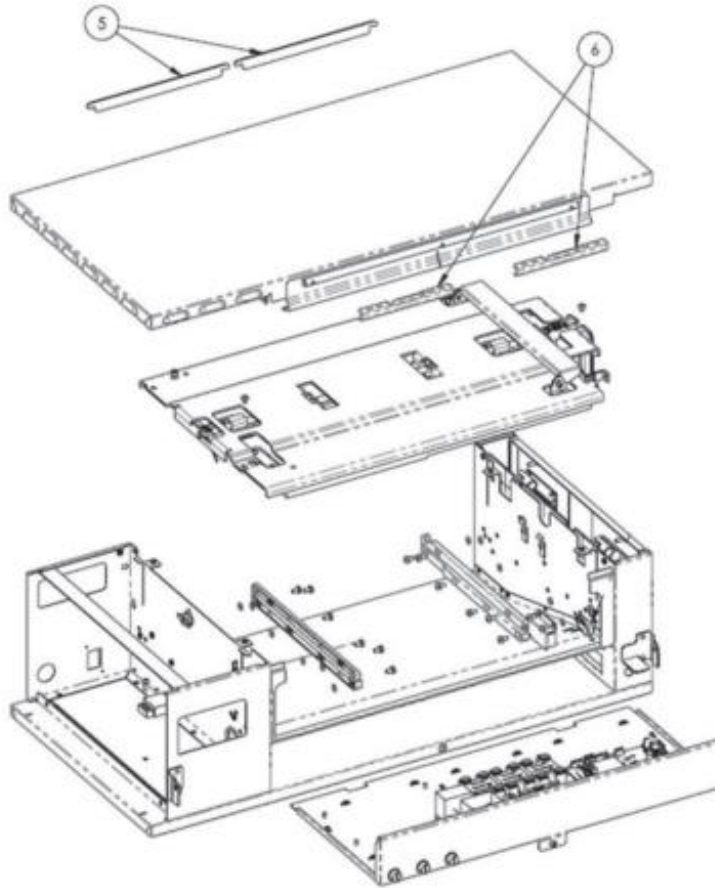
HK# PCCCBT-SB-NA-1PS Horizontal Core Bun Toaster			
Item	HK#	Description	Qty.
1	PCC72-478S	Powercord	1
2	PCC66-045S	Strain relief	1
3	PCC78-223S	Switch, rocker, DPST, IP65 16A	1
4	PCC353-394S	Thermostat, snap disc control, 120	1
*	PCC527-127S	Service kit, cutoff switch 314	1
*	PCC353-206S	Tray, outfeed assy	1

*Not shown

PRINCECASTLE

HORIZONTAL CORE BUN TOASTER

CBT-1PS (PCCCBT-SB-NA-1PS)

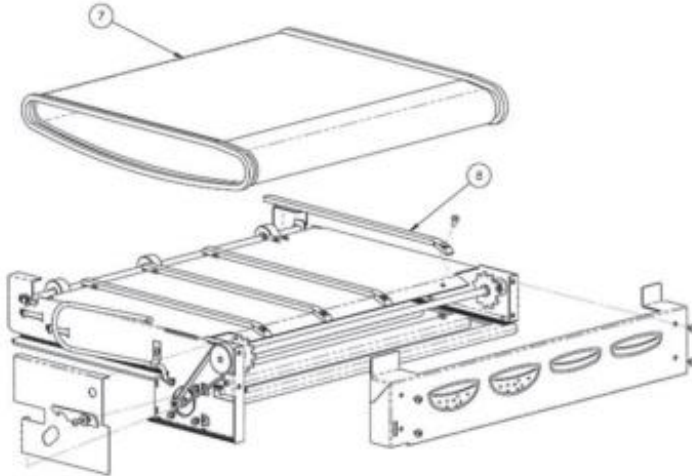


HK# PCCCBT-SB-NA-1PS Horizontal Core Bun Toaster			
Item	HK#	Description	Qty.
5	PCC353-054S	Release sheet bar	2
6	PCC353-053S	Release sheet clip	2

HORIZONTAL CORE BUN TOASTER

CBT-1PS (PCCCBT-SB-NA-1PS)

PRINCECASTLE

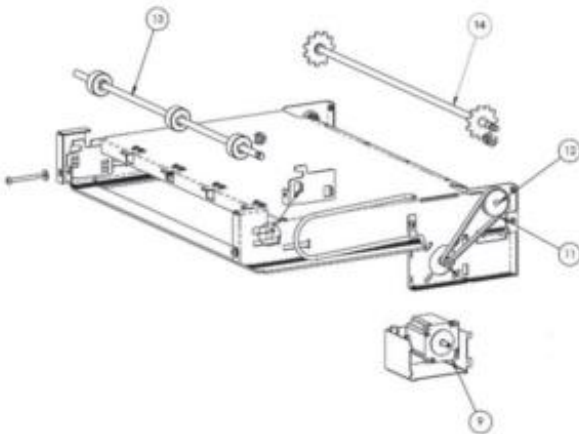


HK# PCCCBT-SB-NA-1PS
Horizontal Core Bun Toaster

Item	HK#	Description	Qty.
7	PCC353-300S	Conveyor, main	1
8	PCC353-442S	Skid bar, conveyor	4

HK# PCCCBT-SB-NA-1PS Horizontal Core Bun Toaster

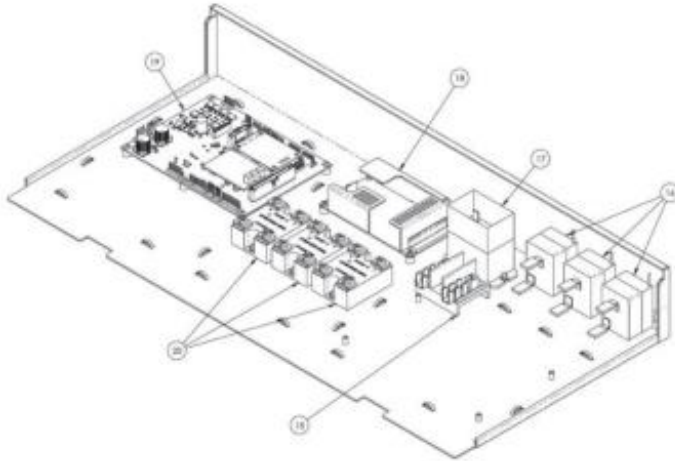
Item	HK#	Description	Qty.
9	PCC353-241S	Stepper motor	2
11	PCC353-333S	Belt 3mm HTD 106 teeth	1
12	PCC353-343S	Pulley, 3mm pitch .44 groove	2
13	PCC353-257S	Shaft, tensioning assy.	1
14	PCC353-205S	Conveyor sprocket shaft assy.	1



PRINCECASTLE

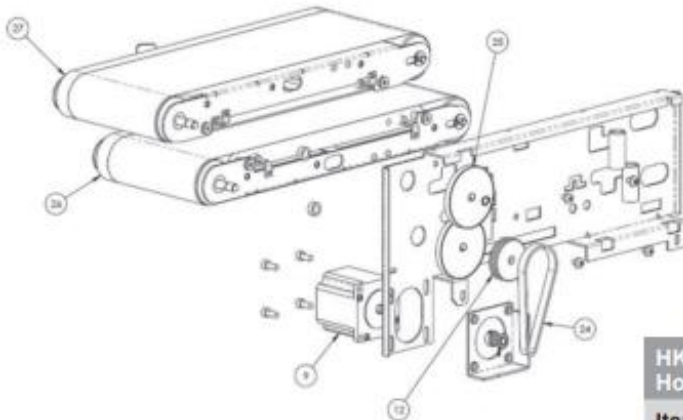
HORIZONTAL CORE BUN TOASTER

CBT-1PS (PCCCBT-SB-NA-1PS)



HK# PCCCBT-SB-NA-1PS
Horizontal Core Bun Toaster

Item	HK#	Description	Qty.
15	PCC77-093S	Terminal block 12POS 2 row insulated	1
16	PCC526-281S	TSTAT, hi-limit bulb & cap, 700F	3
17	PCC65-067S	Relay, DPST, 30A, 200/240, 50/60	1
18	PCC85-144-24S	Power supply, 24VDC 100W	1
19	PCC353-262CS	PCB, main controller	1
20	PCC65-058S	Relay, s/s, 50A, 280Vac, 3-32 VDC	3



HK# PCCCBT-SB-NA-1PS
Horizontal Core Bun Toaster

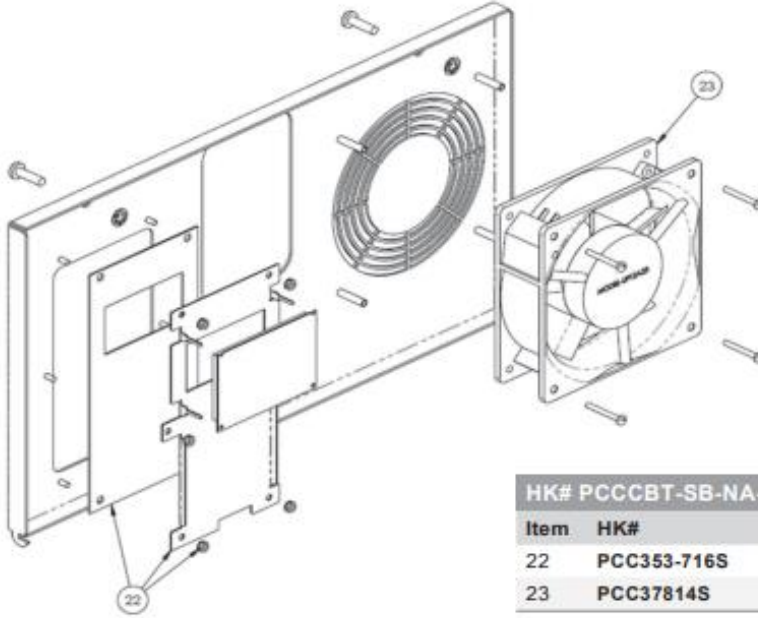
Item	HK#	Description	Qty.
9	PCC353-242S	Stepper motor	2
12	PCC353-343S	Pulley, 3mm pitch .44 groove	2
24	PCC353-357S	Belt, 3mm 80 teeth	1
25	PCC527-819S	Gear, spur, 56, teeth, 24.P, 2.33P.D. .25	2
26	PCC353-233S	Club assy. bottom	1
27	PCC353-231S	Club assy. top	1
*	PCC527-822S	Club probe top	1
*	PCC527-636S	Club probe bottom	1

*Not shown

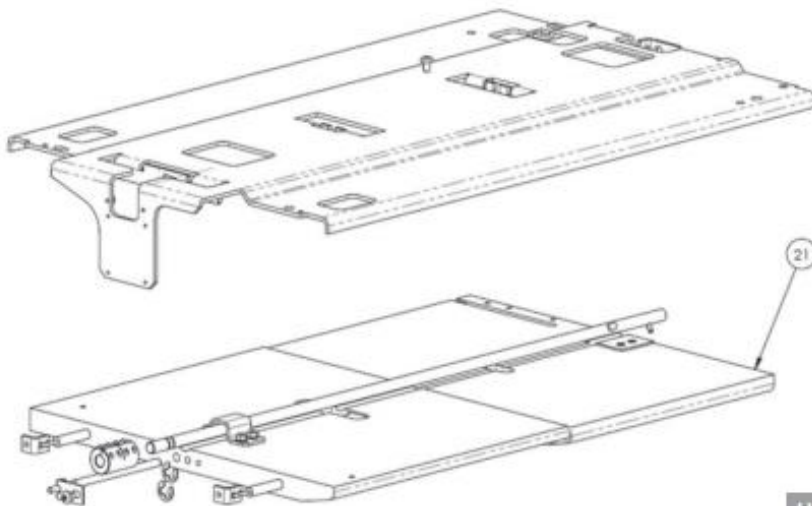
HORIZONTAL CORE BUN TOASTER

CBT-1PS (PCCCBT-SB-NA-1PS)

PRINCECASTLE



HK# PCCCBT-SB-NA-1PS Horizontal Core Bun Toaster			
Item	HK#	Description	Qty.
22	PCC353-716S	Assy., membrane switch & overlay	1
23	PCC37814S	Motor fan 230V UF12A23	1



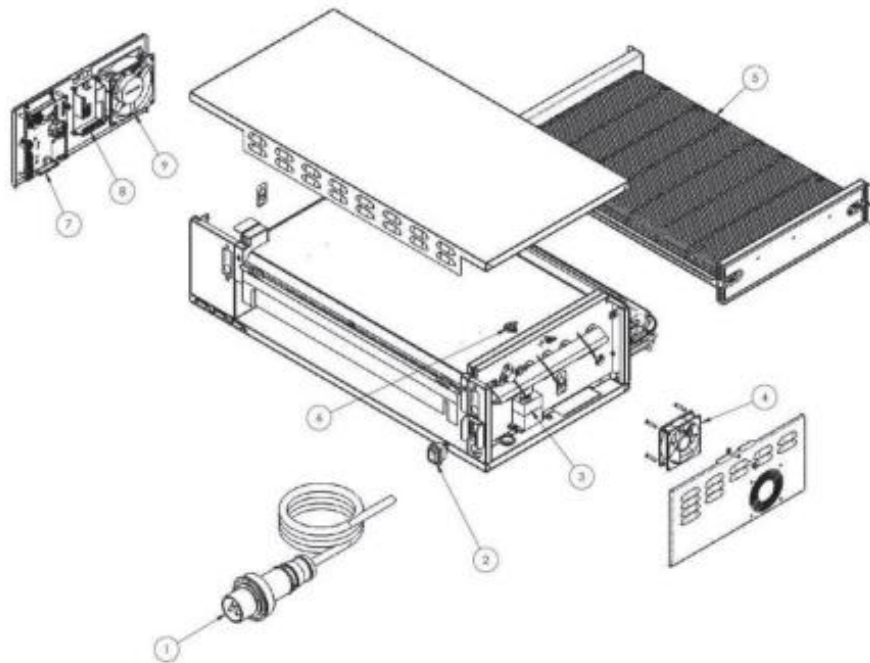
HK# PCC353-731S
Curtain rod, for IRT

HK# PCCCBT-SB-NA-1PS Horizontal Core Bun Toaster			
Item	HK#	Description	Qty.
21	PCC353-208S	Heater platen	1

HORIZONTAL INFRARED TOASTER-MUFFIN/BAGEL

PRINCECASTLE

IRT-1PS (PCCIRT-SB-NA-1PS)



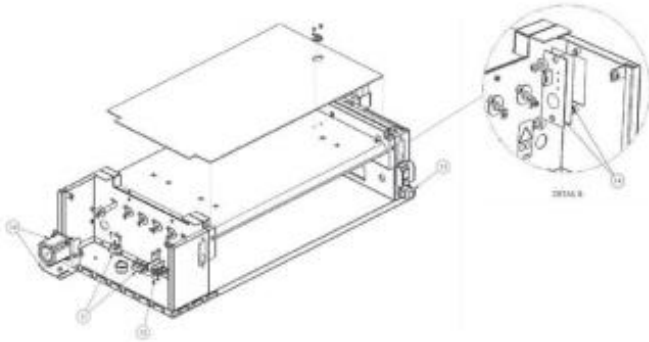
HK# PCCIRT-SB-NA-1PS Horizontal Infrared Toaster			
Item	HK#	Description	Qty.
1	PCC72-477S	Powercord (for IRT-SB-NA-1PS)	1
1*	PCC72-471S	Powercord (for IRT-SB-NA-3PS)	1
2	PCC78-233S	Switch, rocker, DPST, IP65, 16A	1
3	PCC65-067S	Relay, DPST, 30A, 200/240, 50/60	1
4	PCC86-582S	Fan. 11 A DC 92mm	1
5	PCC353-164S	Wire belt	1
6	PCC353-394S	Thermostat, snap disc control, 120	1
7	PCC353-262IS	PCB, main controller	1
8	PCC85-144-24S	Power supply, 24VDC 100W	1
9	PCC37814S	Motor fan, 230V	1

*Not shown

HORIZONTAL INFRARED TOASTER-MUFFIN/BAGEL

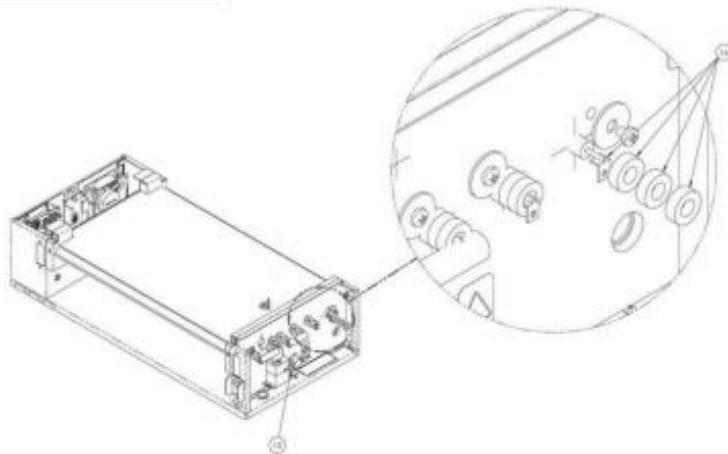
IRT-1PS (PCCIRT-SB-NA-1PS)

PRINCECASTLE™



HK# PCCIRT-SB-NA-1PS Horizontal Infrared Toaster			
Item	HK#	Description	Qty.
10	PCC353-134S	Motor assy.	1
11	PCC353-313S	Relay, 4-8VDC, 20A	3
12	PCC77-093S	Terminal block 12POS 2 row insulated	1
13	PCC66-045S	Strain relief	1
14	PCC353-426S	PCB, bread select board	2

*Not shown



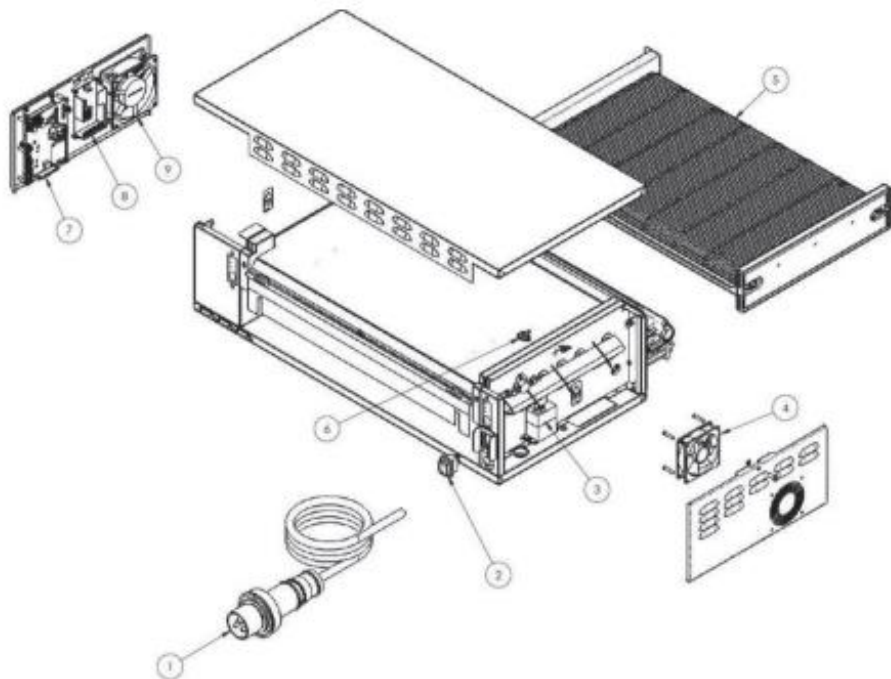
HK# PCCIRT-SB-NA-1PS Horizontal Infrared Toaster			
Item	HK#	Description	Qty.
15	PCC353-489S	Thermostat, NC 350F, limit control, IRT	1
16	PCC353-158S	Calorod	6
17*	PCC527-370S	Assy., membrane switch & overlay	1

*Not shown

PRINCECASTLE

HORIZONTAL INFRARED TOASTER

IRT-3PS (PCCIRT-SB-NA-3PS)



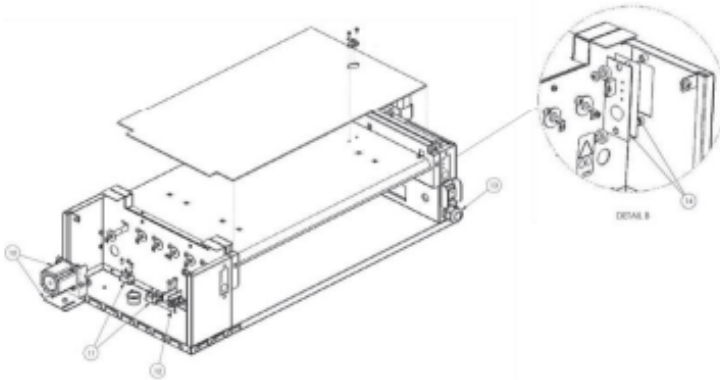
HK# PCCIRT-SB-NA-3PS Horizontal Infrared Toaster			
Item	HK#	Description	Qty.
1	PCC72-477S	Powercord (for IRT-SB-NA-1PS)	1
1*	PCC72-471S	Powercord (for IRT-SB-NA-3PS)	1
2	PCC78-233S	Switch, rocker, DPST, IP65, 16A	1
3	PCC65-067S	Relay, DPST, 30A, 200/240, 50/60	1
4	PCC86-582S	Fan. 11 A DC 92MM	1
5	PCC353-164S	Wire belt	1
6	PCC353-394S	Thermostat, snap disc control, 120	1
7	PCC353-262IS	PCB, Main controller	1
8	PCC85-144-24S	Power supply, 24VDC 100W	1
9	PCC37814S	Motor fan, 230V	1

*Not shown

HORIZONTAL INFRARED TOASTER

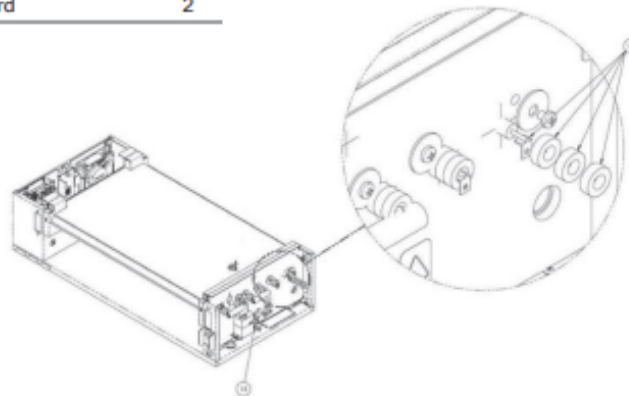
IRT-3PS (PCCIRT-SB-NA-3PS)

PRINCECASTLE



HK# PCCIRT-SB-NA-3PS Horizontal Infrared Toaster

Item	HK#	Description	Qty.
10	PCC353-134S	Motor assy.	1
11	PCC353-313S	Relay, 4-8VDC, 20A	3
12	PCC77-093S	Terminal block 12POS 2 row insulated	1
13	PCC66-045S	Strain relief	1
14	PCC353-426S	PCB, bread select board	2



HK# PCCIRT-SB-NA-3PS Horizontal Infrared Toaster

Item	HK#	Description	Qty.
15	PCC353-489S	Thermostat, NC 350F, limit control, IRT	1
16	PCC353-158S	Calrod	6
17*	PCC527-370S	Assy., membrane switch	1

*Not shown

PRINCECASTLE

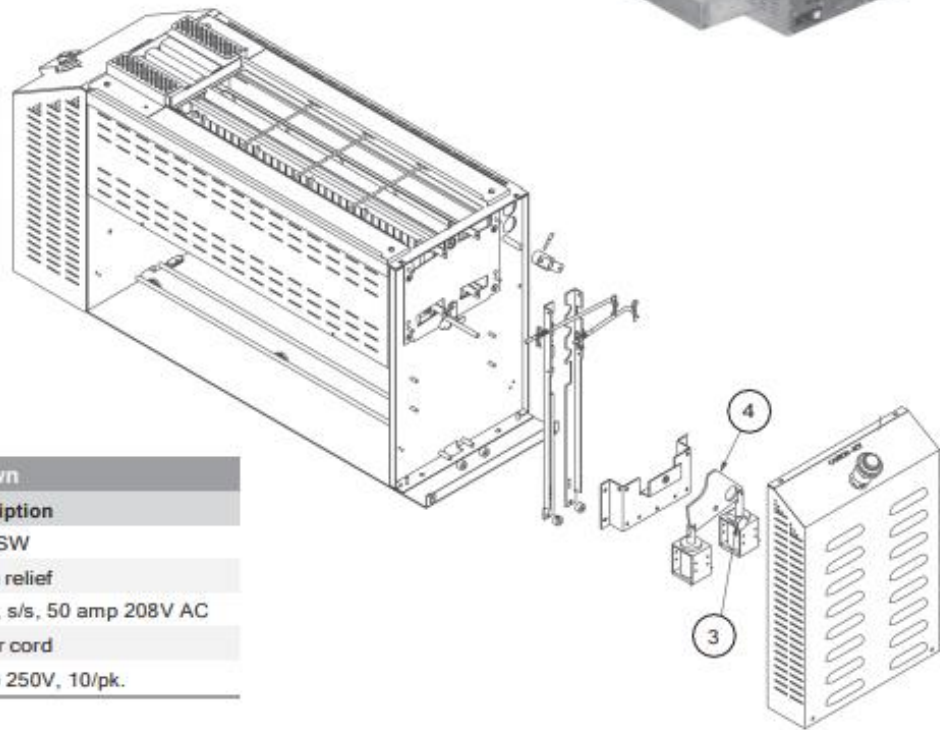
UNIVERSAL RAPID TOASTER

340-URT, 340-URTG2L



Rear Parts Breakdown

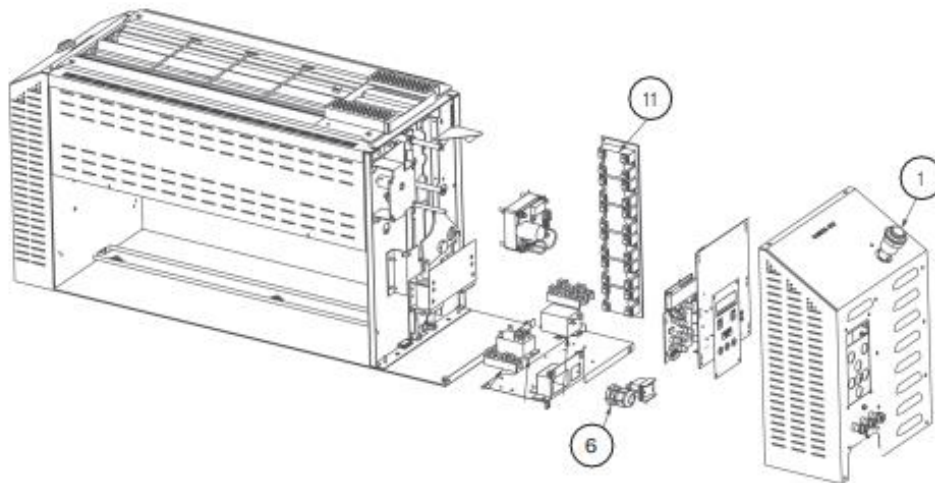
Item	HK#	Description
3	PCC340-341S	Shoulder bolt, 2/pk.
4	PCC340-313S	Rocker



Controller Side Parts Breakdown

Item	HK#	Description
1	PCC78-244S	Start SW
6	PCC66-045S	Strain relief
11	PCC65-058S	Relay, s/s, 50 amp 208V AC
*	PCC72-434S	Power cord
*	PCC88-600-200S	2 amp 250V, 10/pk.

*Not shown



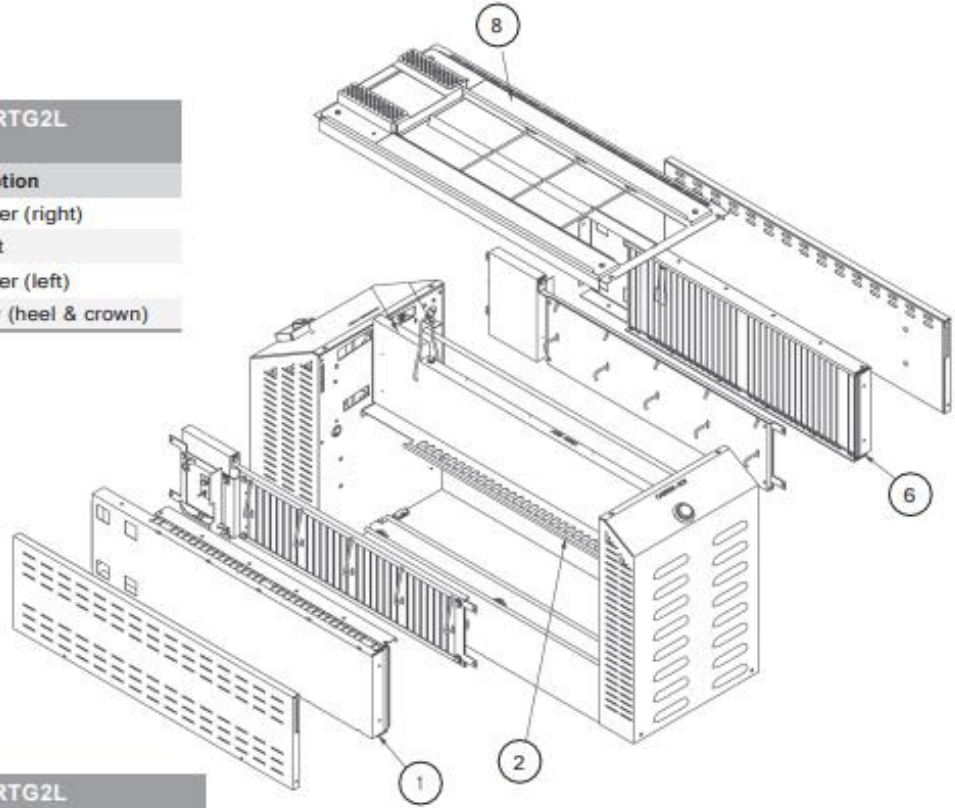
UNIVERSAL RAPID TOASTER

340-URT, 340-URTG2L

PRINCECASTLE

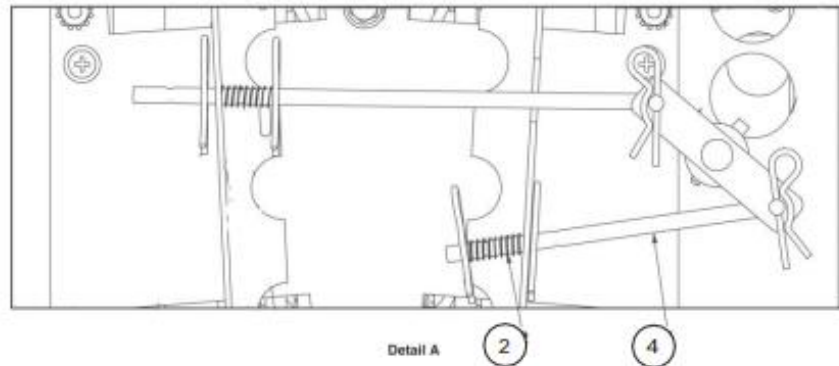
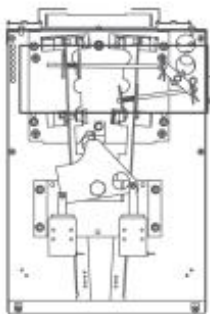
HK# PCC340-URT, PCC340-URTG2L
Universal Rapid Toaster

Item	HK#	Description
1	PCC340-368S	IR heater (right)
2	PCC340-360S	Gate kit
6	PCC340-369S	IR heater (left)
8	PCC340-255S	Overlay (heel & crown)



HK# PCC340-URT, PCC340-URTG2L
Universal Rapid Toaster

Item	HK#	Description
2	PCC89-1064S	Compression spring, 2/pk.
4	PCC340-651S	Rod, crush link, short



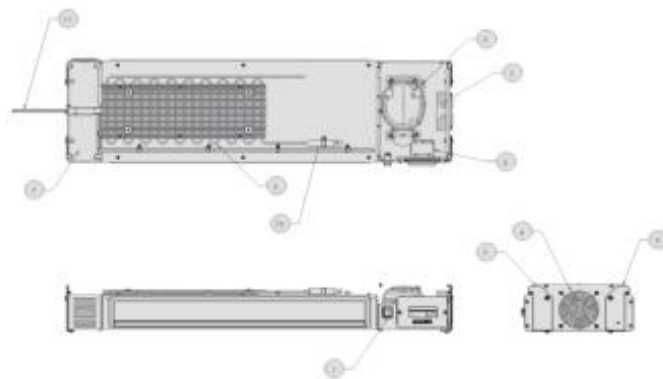
PRINCECASTLE

CHILLED RAIL

SKMCD-RR-5 (SILSKMCD-RR-5)

**Parts Identification/Function
Table Reference**

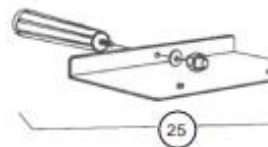
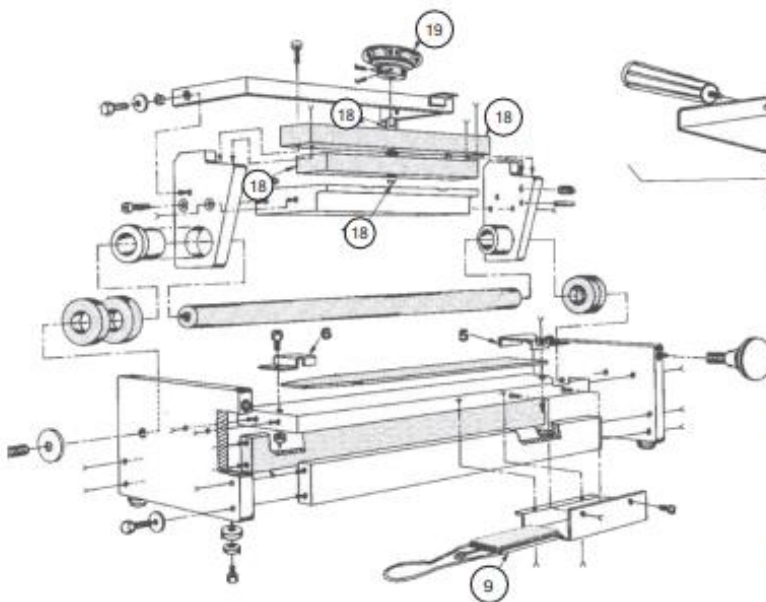
Item	HK#	Description
1	PCC078-233	Power switch
2	PCC36477	Electronic control
3	PCC37736	Condensor fan motor, 115V
4	PCC35253	Fan guard
5	PCC36032	Compressor, 115V/60HZ
6	PCC36523	Condensor coil
7	PCC38021	Heater
8	PCC36047	Hanging bracket, LH
9	PCC36046	Hanging bracket, RH
10	PCC22677	Drier
11	PCC43263	Power cord, 15V



PRINCECASTLE

MANUAL GRILL TOOL SHARPENER

164-A, 164-B

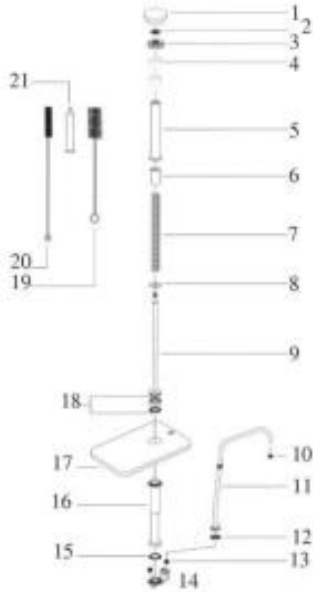


**HK# PCC164-A, PCC164-B
Manual Grill Tool Sharpener**

Item	HK#	Description
5-6	PCC164-70S	File clamp kit (contains large and small clamps)
9	PCC89-057	File cleaner
18	PCC578-294	Mounting bar assembly
18a	PCC578-239	Clamping handle stem
18b	PCC578-294	Locking jaw mounting bar
18c	PCC89-305	Basic external retaining ring
19	PCC164-58	Knob
25	PCC578-282	Scraper holder assembly



CONDIMENT PUMP



HK# **SER82557**
Plastic fountain jar,
3.5" qt., 10" deep



HK# **SER80443**
Pump Lock

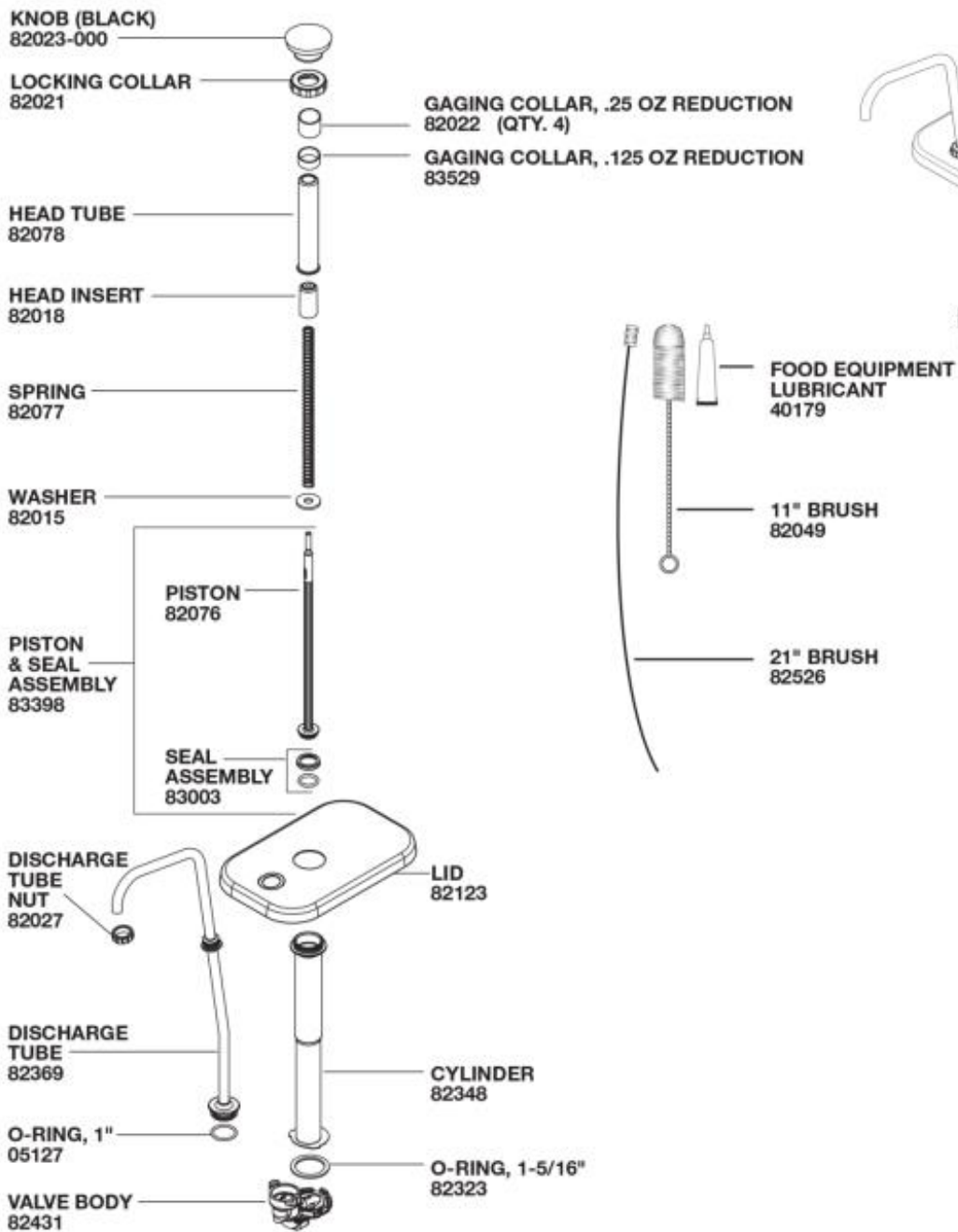
Condiment Pump		
Item	HK#	Description
1	SER82023	Knob fudge - brn/blk
	SER82023-700	Knob caramel - tan
2	SER82035	Knob o-ring
3	SER32764	Locking collar
4	SER82022	Gauging collar
5	SER32757	Head tube
6	SER82018	Head insert
7	SER32761	Spring
8	SER32760	Washer
9	SER82076	Piston & stem assy.
10	SER82027	Discharge tube nut

Condiment Pump		
Item	HK#	Description
11	SER82395	Discharge tube
12	SER05127	O-Ring 1" diameter
13	SER32752	S/S ball bearing
14	SER82431	Valve body kit
15	SER82323	O-Ring 1-3/16" diameter
16	SER82348	Cylinder
17	SER82123	Rectangular lid
18	SER83003	Seal assy.
19	SER82049	Cylinder cleaning brush
20	SER82526	Cleaning brush 1" diameter
21	SER40179	Food equipment lubricant



CONDIMENT PUMP

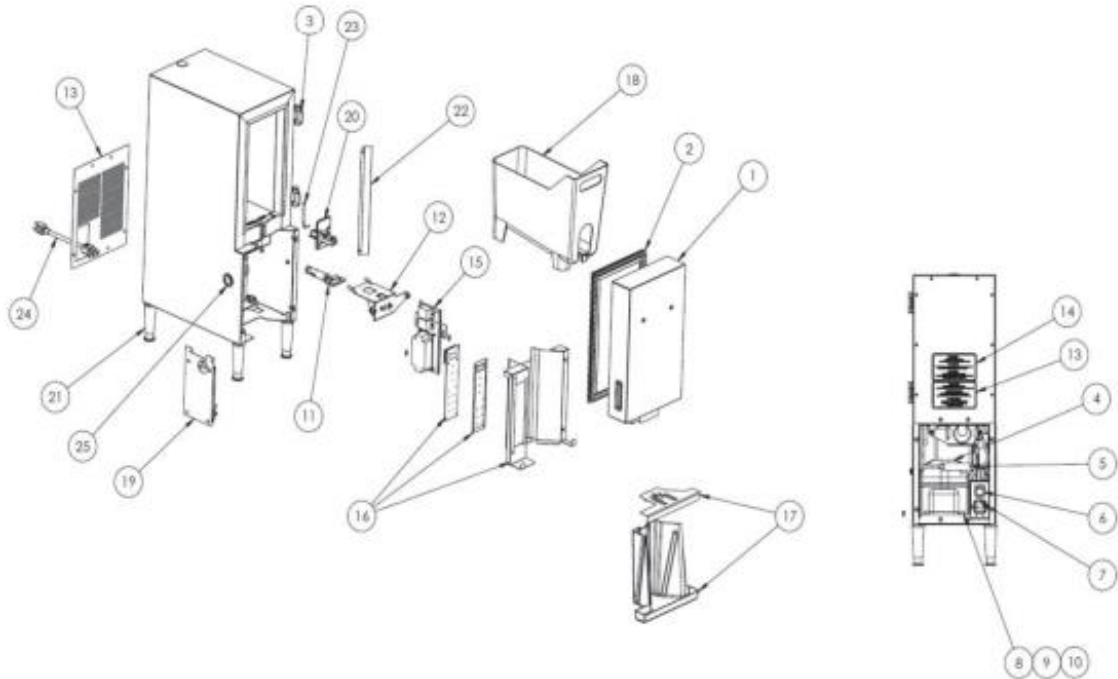
83330 (SER83330)



CREAM DISPENSER

SK-1 (SILSK-1)

SILVERKING



HK# SILSK-1 Cream Dispenser			
Item	HK#	Description	Qty.
1	SIL366-124S	Assy. door SKMCD1P	1
2	SIL31126S	Gasket door	1
3	SIL25226S	Hinge with screws & covers	2
4	SIL25473S	Compr 115V/60HZ EM20HHR	1
5	SIL30876S	Assy. exchanger heat	1
6	SIL26378	Switch rocker 115V/230V	1
7	SIL35826	Module power entry 115V (with 1 fuse)	1
8	SIL20481P	Grommet mtg compr long	4
9	SIL98106P	Clip hairpin	4
10	SIL22401P	Washer mount compr	4
11	SIL37133S	Assy. valve plunger	1
12	SIL366-132S	Assy. rack solenoid	1
13	SIL24048S	Label: Caution Hazardous Moving	1

*Not shown

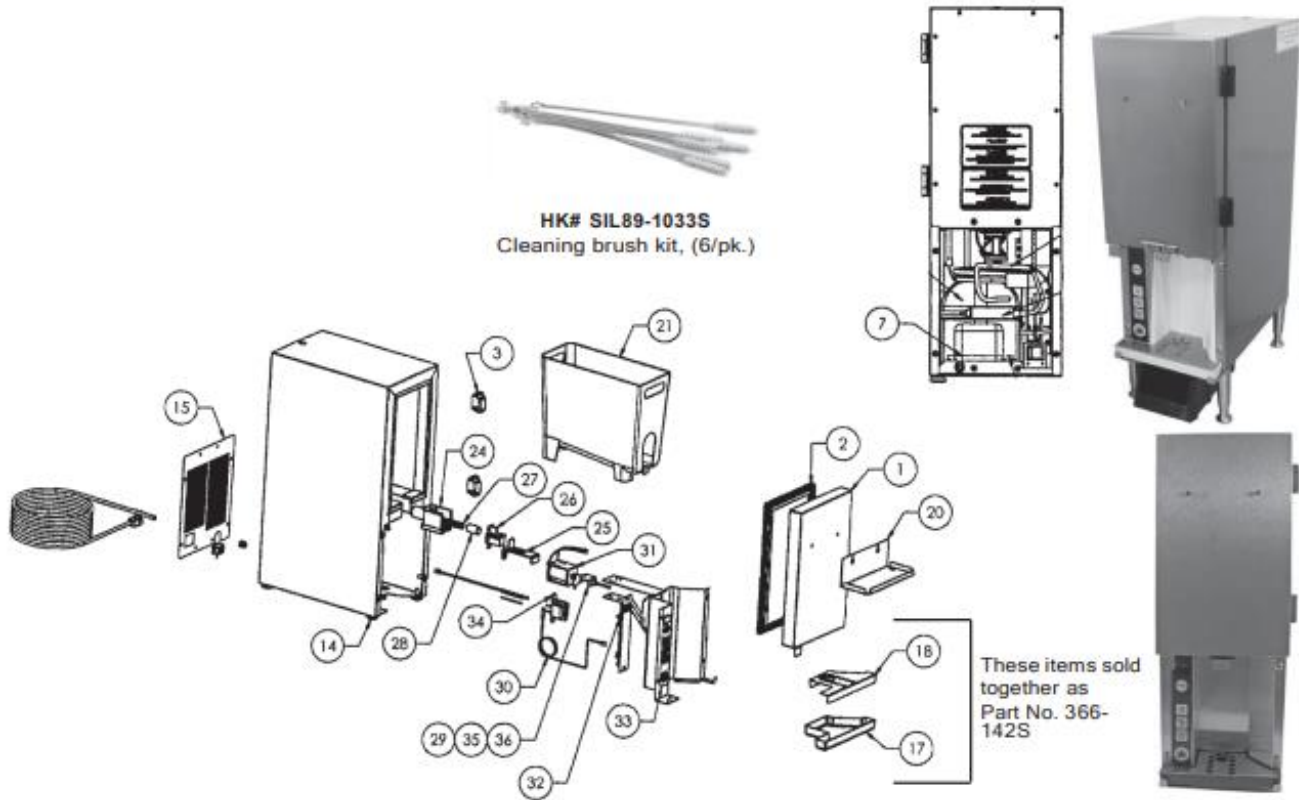
HK# SILSK-1 Cream Dispenser			
Item	HK#	Description	Qty.
14	SIL24050S	Label: Electric Shock Hazard	1
15	SIL366-135S	Power supply assy.	1
16	SIL366-139S	Assy. apron	1
17	SIL366-142S	Assy. tray, drip - creamer	1
18	SIL31348	Container, cream, plastic, single	1
19	SIL366-137S	Electronics assembly	1
21	SIL10314-89	Leg 4" NP FLG foot	1
22	SIL24904S	Tube well guard	1
23	SIL37364S	Probe temp SKBD3LS	1
24	SIL33883	Cordset 115V	1
25	SIL37358S	Ergonomics plug 1" dia.	1
26*	SIL366-149S	Bag guard	1

*Not shown

SILVERKING

CREAM DISPENSER

SKMCD1P-WL, SKMCD1P-C1



HK# SKMCD1P-WL, SKMCD1P-C1 Cream Dispenser

Item	HK#	Description
1	SIL31106	Door assembly (less hinges)
2	SIL10310-61	Door gasket
3	SIL10335-35	Hinge
7	SIL10344-61	Electricals kit (relay and overload) 115v
14	SIL21012	Foot
15	SIL35832	Back panel
17		Drip tray (not sold separately)
18		Drip tray cover (not sold separately)
Items 17 & 18 sold together as SIL366-142S		
20	SIL31124	Door shelf (WL Model)
21	SIL31348	Container
24	SIL31942	Valve body
25	SIL34324 SIL33369	Valve slide (WL Model) Valve slide (C1 Model)
26	SIL31944	Valve insert

*Not shown

HK# SKMCD1P-WL, SKMCD1P-C1 Cream Dispenser

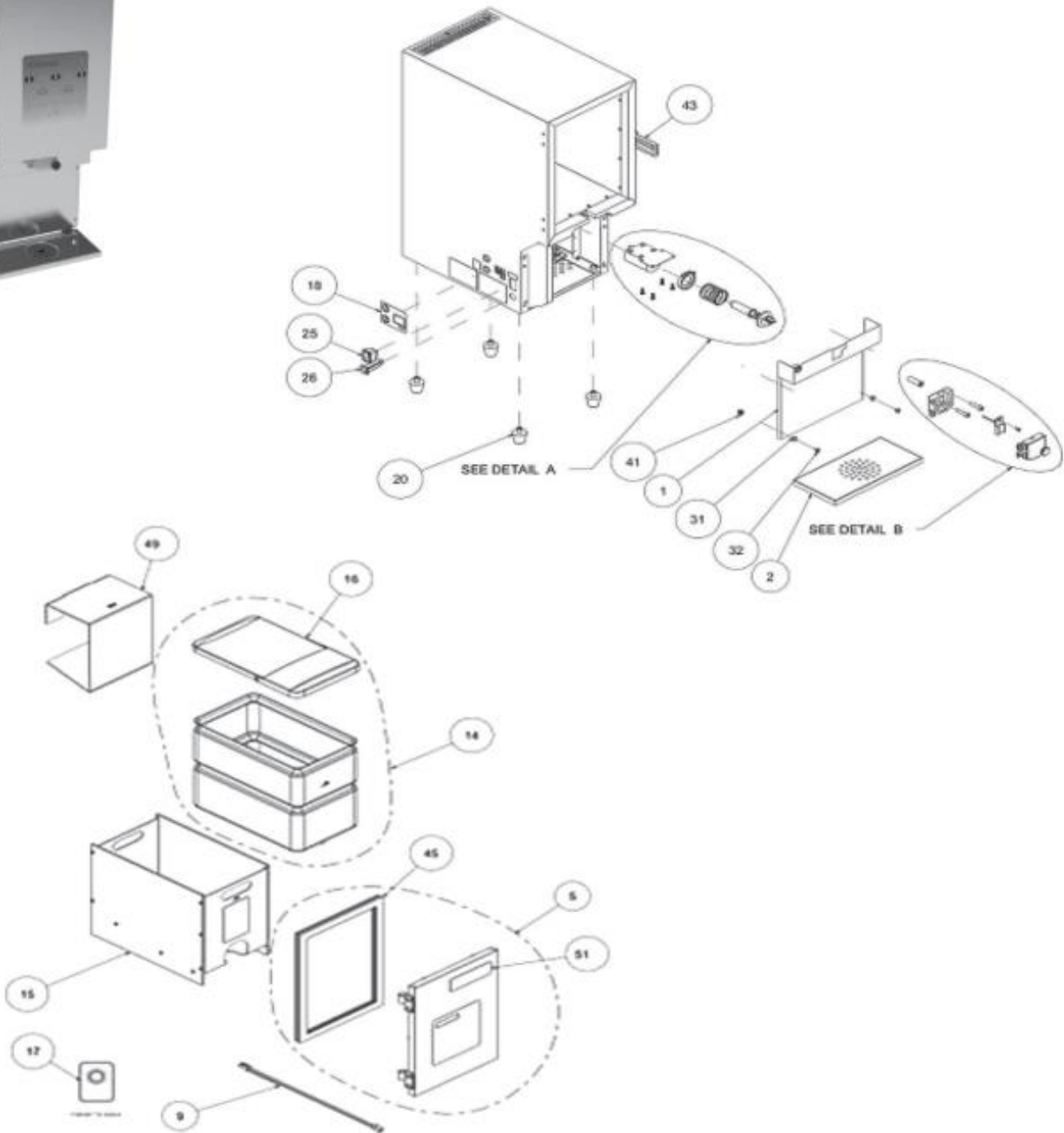
Item	HK#	Description
27	SIL27019	Valve spring
28	SIL99870 SIL337265	Cap sleeve (WL Model) Cap sleeve (C1 Model)
29	SIL25988 SIL22938	Screw (WL Model) Screw (C1 Model)
30	SIL26155	Thermistor
31	SIL10327-59 SIL35810	Solenoid 115v (WL Model) Solenoid 115v (C1 Model)
32	SIL35896	Electronic board (3-Button)
33	SIL32034	Membrane switch (3-Button)
34	SIL26039	Assy transformer 115v
35	SIL25945	Solenoid link (WL Model)
36	SIL25990	Panel fastener (WL Model)*
*	SIL35416	Switch (C1 Model)
*	SIL33883	Power cord (C1 Model)

*Not shown

CREAM DISPENSER

AC110-PC-51 (ACDAC110-PC-51)

SURESHOT
SOLUTIONS





SURESHOT
SOLUTIONS

CREAM DISPENSER

AC110-PC-51 (ACDAC110-PC-51)

HK# ACDAC110-PC-51 Cream Dispenser		
Item	HK#	Description
1	ACDA-04-018-2-SP	Front panel assembly - 110 pc count/attach/grom
2	ACDA-04-073-4-SP	Catch tray assembly - 110 counter
3	ACDA-07-023-SP	Valve door final assembly - .750 with thermistor
4	ACDA-07-014-1-SP	Valve insert thermistor assembly - .750
5	ACDA-09-073-16-SP	Door assembly, 10L, 4 button lex, sureshot generic
6	ACDA-10-004-SP	Power supply connector assembly
7	ACDA-10-014-SP	Power cord harness assembly
8	ACDA-10-016BF-SP	GND
9	ACDA-10-024-SP	Modular jack cable 16"
10	ACDACDA-10-032-1-SP	Thermistor cable assembly, display, with connector
11	ACDA-10-050-1-SP	Fan assembly, 110V
12	ACDA-13-012-1-SP	Plunger assembly, dairy, .750
13	ACDA-13-013-1-SP	Product solenoid bracket assy
15	ACDA-18-016-1-SP	Product case assy 110
17	ACDA-31-014-115-2-SP	Generic fob base kit
18	ACDM-06-174-SP	Refrigeration control overlay with bumpers
19	ACDA-99-101-SP	Compressor capacitors service kit
20	ACDA-99-039-2-SP	1" Leg assembly with coupler
21	ACDA-31-015-115-2-SP	1" Leg assembly with coupler
22	ACDC-01-077-2-SP	PCB assembly, side console control
23	ACDE-02-034-SP	Run capacitor, 10°F, JSU18X-106AQA
24	ACDE-08-002-SP	Reed switch
25	ACDE-08-011-SP	Power switch, vertical, recessed
26	ACDE-14-001-2-SP	Circuit breaker, thermal, panel mount, 1 AMP
27	ACDE-18-007-SP	Power supply, 24VDC, 2.5A, open frame
28	ACDF-01-001-3-SP	Nut, hex, 1/8-18 UNC-2B

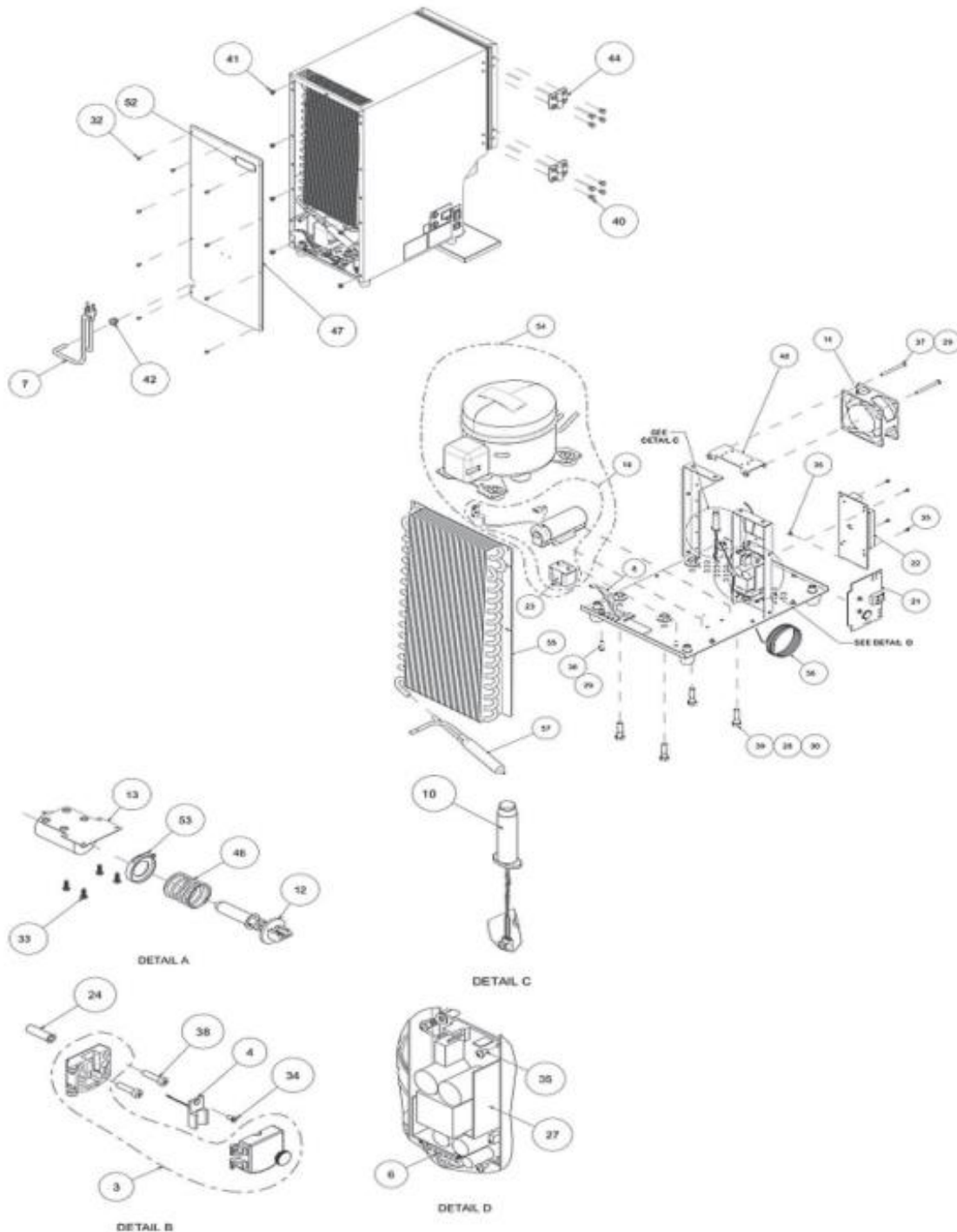
HK# ACDAC110-PC-51 Cream Dispenser		
Item	HK#	Description
29	ACDF-01-001-4-SP	Nut, hex, 8-32 UNC-2B
30	ACDF-03-002-1-SP	Washer, flat, 1/8"
31	ACDF-03-005-SP	Washer, shoulder, .140 ID, .275 OD, .13 THK, .4 SH_OD, .13 SH_THK
32	ACDF-04-002-SP	SS_P-TH-TS-TYPE-AB, #8 X 3/8" 8-16 X 1/2", SS, P-PH, triangular, TS
33	ACDF-04-021-1-SP	TS
34	ACDF-05-002-2-SP	Screw, mach, FH, P, 8-32 X 0.375 SS
35	ACDF-05-005-SP	Screw, mach, #4-40 x 3/16 P-PH
36	ACDF-05-005-1-SP	Screw, mach, s/s, #8-32 x 1/4 P-PH
37	ACDF-05-005-5-SP	Screw, mach, s/s, #8-32 x 2 P-PH
38	ACDF-05-013-SP	Screw, mach, P-F, s/s, 1/4-20 x 1.0"
39	ACDF-05-020-SP	Screw, hex head, 1/8-18 UNC-2A x 1 1/2"
40	ACDF-06-011-4-SP	Rivet - aluminum blind 1/4 X .490
41	ACDF-09-001-SP	Anchor nut, #8, plastic
42	ACDF-13-001-SP	Wire strain relief
43	ACD1016	Rubber draw latch (latch)
44	ACDF-14-003-SP	Plastic hinge assembly left handed
45	ACDF-14-020-SP	Magnetic door gasket - 10L
46	ACDF-99-001-SP	Spring, #10, Solenoid
47	ACDM-01-074-SP	Back panel, 10L
48	ACDM-02-005-SP	Fan bracket
49	ACDM-02-127-SP	10L case insert
50	ACDM-03-005-SP	Valve door insert - back .750
51	ACDM-06-002-SP	4.75 Sure shot decal
52	ACDM-06-003-SP	Small sureshot decal
53	ACDACDP-01-004-SP	Solenoid spring retainer
54	A-99-103-SP	Compressor kit, refrigeration, 115V, SF39C
55	R-02-001-SP	Condenser
56	R-03-001-SP	Capillary tube



CREAM DISPENSER

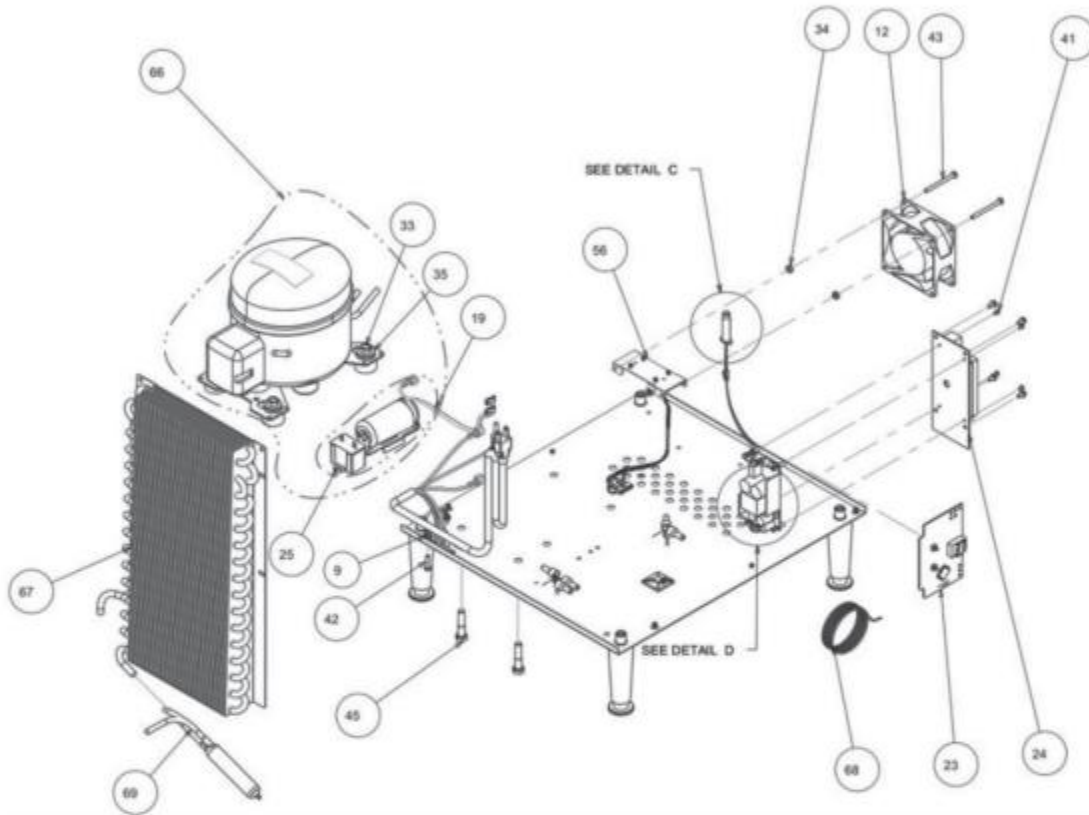
AC110-PC-51 (ACDAC110-PC-51)

SURESHOT
SOLUTIONS



CREAM DISPENSER

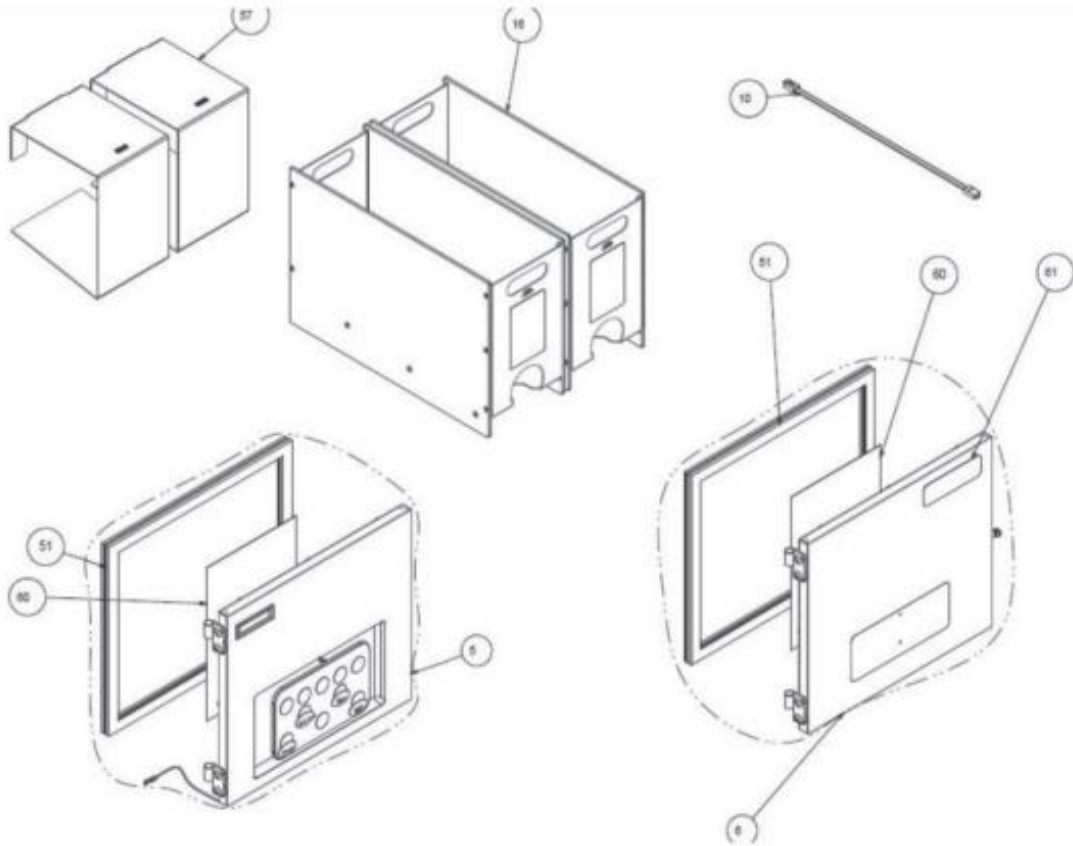
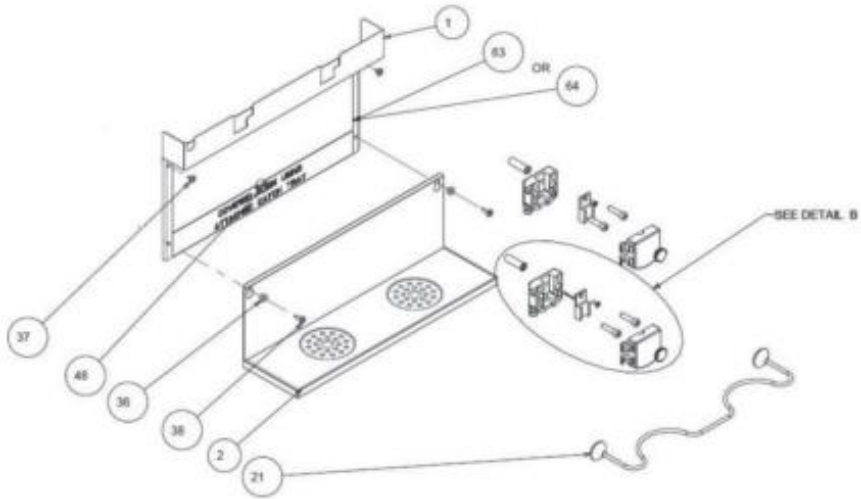
AC230-PC-29 (ACDAC230-PC-29)



CREAM DISPENSER

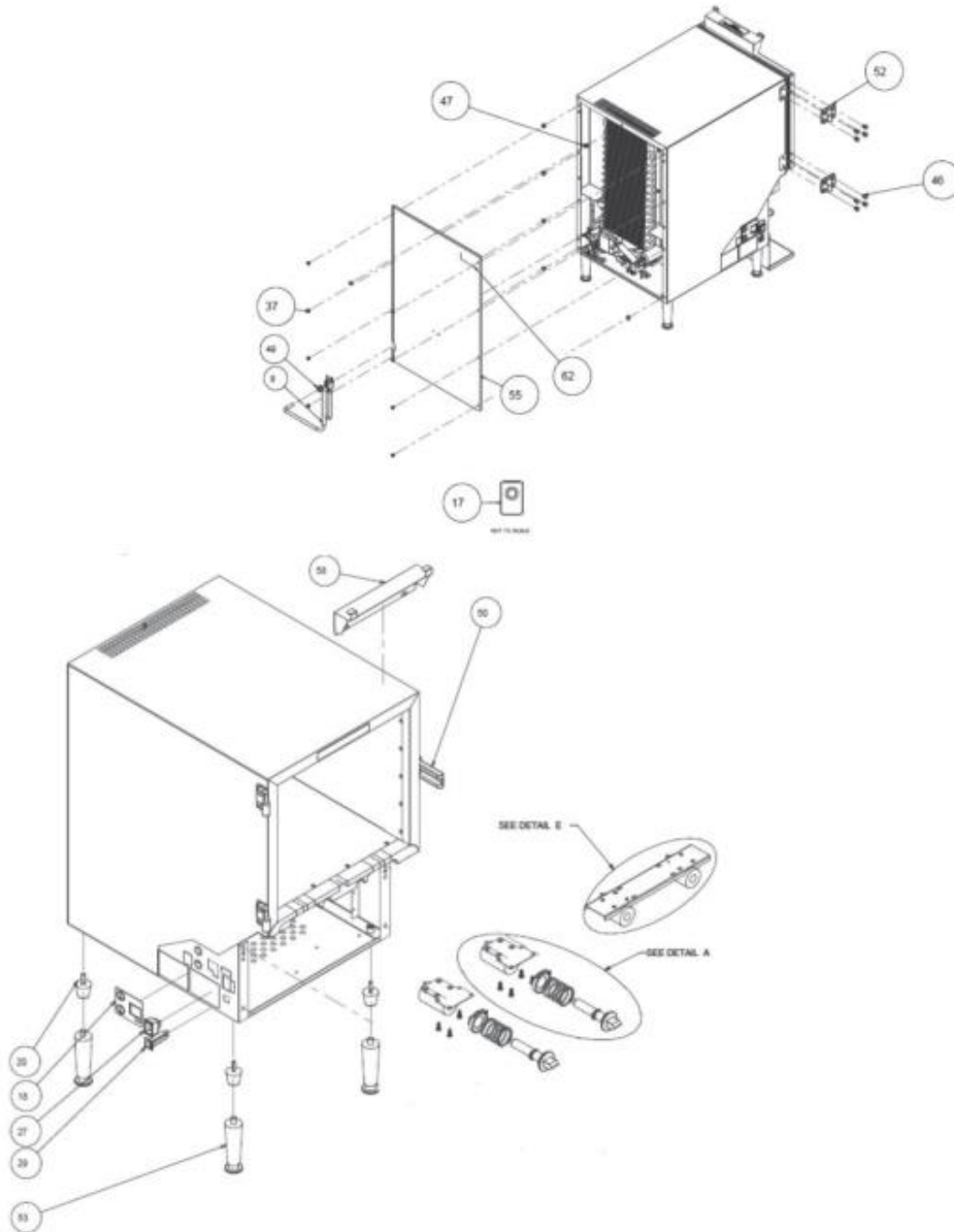
AC230-PC-29 (ACDAC230-PC-29)

SURESHOT
SOLUTIONS



SURESHOT
SOLUTIONS

CREAM DISPENSER AC230-PC-29 (ACDAC230-PC-29)





CREAM DISPENSER

AC230-PC-29 (ACDAC230-PC-29)



HK# ACDA230-PC-29 Cream Dispenser		
Item	HK#	Description
1	ACDA-04-016-SP	Front panel assembly - 230 PC
2	ACDA-04-073-32-SP	Catch tray assembly - 230 - 4
3	ACDA-07-011-SP	Valve door final assembly - .750 with thermistor
4	ACDA-07-014-1-SP	Valve insert thermistor assembly - .750
5	N/A	Door assy, front, 10 button with LCD, with M-06-001
6	ACDA-09-045-19-SP	Door, front, 30L
7	ACDA-10-004-SP	Power supply connector assembly
8	ACDA-10-014-SP	Power cord harness assembly
9	ACDA-10-016BF-SPACD	GND
10	ACDA-10-024-SP	Modular jack cable 16"
11	ACDA-10-032-1-SP	Thermistor cable assembly, display, with connector
12	ACDA-10-050-1-SP	Fan assembly, 110V
13	N/A	Product solenoid bracket assy, 230"
14	ACDA-13-012-1-SP	Plunger assembly, dairy, .750"
15	ACDM-06-174-SP	Product solenoid bracket assy
16	ACDA-31-008-2-SP	Product case assy 230
17	ACDA-31-014-115-1-SP	Generic fob base kit
18	ACDM-06-174-SP	Refrigeration control overlay with bumpers
19	ACDA-99-101-SP	Compressor capacitors service kit
20	N/A	1" Leg assembly with coupler
21	N/A	230 Wire cup guide assembly
22	N/A	PCB, dairy, integrated controller with IR
23	ACDA-31-015-115-1	PCB assembly, side console control
24	ACDC-01-077-2-SP	PCB, assy, SC INTC without boost circuit
25	ACDE-02-034-SP	Run capacitor
26	ACDE-08-002-SP	Reed switch
27	ACDE-08-011-SP	Power switch, vertical, recessed
28	N/A	Compressor control relay
29	ACDE-14-001-2-SP	Circuit breaker, thermal, panel mount, 1 Amp
30	ACDE-18-007-SP	Power supply, 24VDC,2.5A, open frame
31	N/A	Power transformer, 7024
32	N/A	Circuit board splash shield
33	ACDF-01-001-3-SP	Nut, hex, 5/16-18 UNC-2B
34	ACDF-01-001-4-SP	Nut, hex, 8-32 UNC-2B

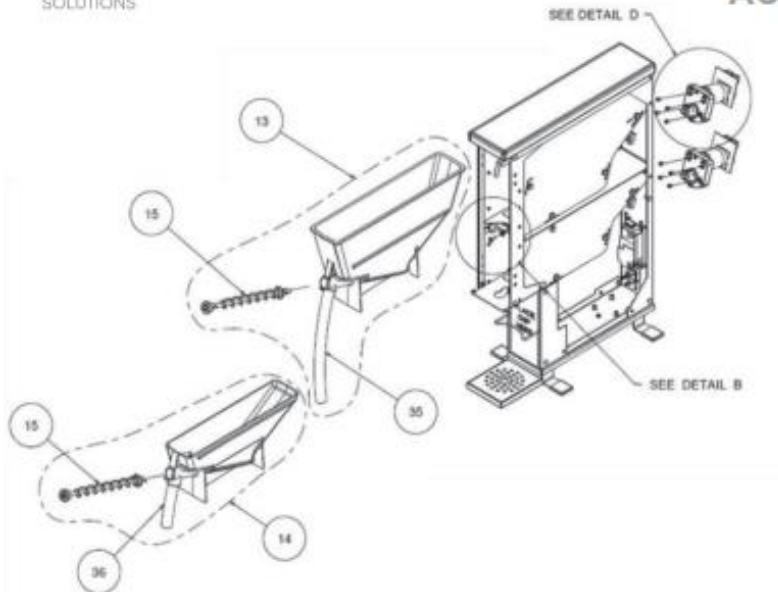
HK# ACDA230-PC-29 Cream Dispenser		
Item	HK#	Description
35	ACDF-03-002-1-SP	Washer, flat, 5/16"
36	ACDF-03-005-SP	Washer, shoulder, .140 ID, .275 OD, .13 THK, .4 SH_OD, .13 SH_THK
37	ACDF-04-002-SP	SS_P-TH-TS-TYPE-AB, #8 x 3/8"
38	ACDF-04-002-2-SP	SS_P-TH-TS-TYPE-AB, #8 x 5/8"
39	ACDF-04-021-1-SP	8-16 x 1/2", s/s, P-PH, triangular, TS
40	ACDF-05-002-2-SP	Screw, mach, FH, P, 8-32 x 0.375 s/s
41	ACDF-05-005-SP	Screw, mach, #4-40 x 3/16, P-PH
42	ACDF-05-005-1-SP	Screw, mach, s/s, #8-32 x 1/4, P-PH
43	ACDF-05-005-5-SP	Screw, mach, s/s, #8-32 x 2, P-PH
44	ACDF-05-013-SP	Screw, mach, P-F, s/s, 1/4-20 x 1.0"
45	ACDF-05-020-SP	Screw, hex head, 5/16-18 UNC-2A x 1 1/2"
46	ACDF-06-011-4-SP	4 Rivet - aluminum blind 1/4 x .490
47	ACDF-09-001-SP	Anchor nut, #8, plastic
48	ACDF-12-002-SP	Grommet, wire, split, 5/8"
49	ACDF-13-001-SP	Wire strain relief
50	N/A	Rubber draw latch (latch)
51	ACDF-14-002-SP	Magnetic door gasket - 30L
52	ACDF-14-003-SP	Plastic hinge assembly left handed
53	ACDA-99-040-2-SP	Leg, adjustable, metal, 4.0in
54	ACDF-99-001-SP	Spring, #10, solenoid
55	ACDM-01-027-SP	Back panel, 30L
56	ACDM-02-005-SP	Fan bracket
57	N/A	230 case insert
58	ACDM-02-348-SP	Sweetener holder bracket U/W lexan button panels
59	ACDM-03-005-SP	Valve door insert - back .750
60	ACDM-06-001-SP	Job aid, product loading 45° cut PC"
61	ACDM-06-002-SP	Sure shot decal
62	ACDM-06-003-SP	Small sureshot decal
63	N/A	Graphic, front panel, 30L, SS, 7-11 Oklahoma
64	N/A	Graphic, front panel, 230, PC, TDL, self serve
65	ACDP-01-004-SP	Solenoid spring retainer
66	ACDA-99-103-SP	Compressor kit, refrigeration, 115V, SF39C"
67	ACDR-02-001-SP	Condenser
68	ACDR-03-001-SP	Capillary tube
69	ACDR-05-001-SP	Filter dryer



SURESHOT
SOLUTIONS

SUGAR + SWEETENER DISPENSER

AC2-GP-30, AC2-GP-1G38-SC



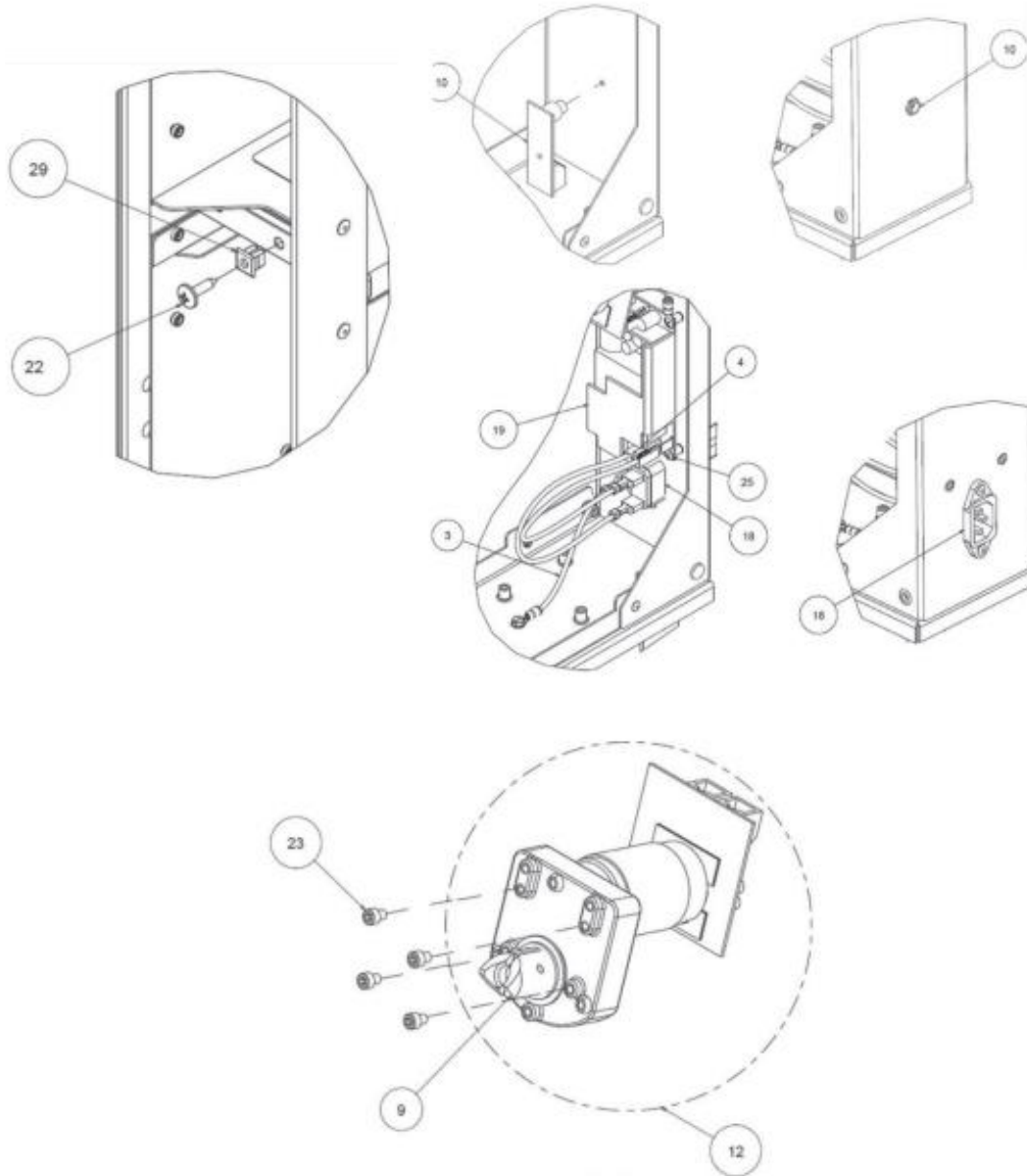
HK# ACDAC2-GP-30 Sugar & Sweetener Dispenser		
Item	HK#	Description
1	ACDA-04-101	Catch tray assembly, short, AC2-GP, removable
2	ACDA-09-079-24-SP	Door assy. with graphic, AC2-GP
3	ACDA-10-016X-SP	Ground wire
4	ACDA-10-020-SP	Power cable assembly, side console
5	ACDA-10-024-4-SP	Modular jack cable 14"
6	ACDA-10-060-SP	6 1 EA A-10-060
7	ACDA-10-079-1-SP	Cable assy., DC internal PSU, AC2-GP
8	ACDA-31-014-076-20-SP	Generic fob base kit
9	A-31-025-SP	Motor coupler assembly
10	ACDC-01-018-2-SP	Ext. Power supply connector board and tape
11	ACDA-31-027-SP	Sub cover AC2-GP, non FIP
12	ACDA-99-068-SP	Motor & coupler assy., AC2-GP
13	ACDA-99-069-1-SP	Large hopper
14	ACDA-99-069-2-SP	Small hopper
15	ACDA-99-090-SP	Auger assy.
16	ACDA-99-091-1-SP	Sheetmetal foot assy., .5"
17	ACDE-13-116-SP	Pwr cord, 2M, Nema5 15P,IEC C13, SJT, black
18	ACDE-13-157-SP	Power entry module
19	ACDE-18-002-SP	Power supply, VLT60-1001, 12V

HK# ACDAC2-GP-30 Sugar & Sweetener Dispenser		
Item	HK#	Description
20	ACDE-18-009-SP	Power supply, 12VDC, 4A, external, 2.1 x 5.5MM RA locking plug
21	ACDF-02-007-1-SP	Shoulder bolt, 8-32 x 3/16, self-locking
22	ACDF-04-002-2-SP	SS_P-T-H-TS-TYPE-AB, #8 X 5/8
23	ACDF-05-011-8N-SP	Screw, mach, SHCS, nylon patch, 8-32 x .25 s/s
24	ACDF-05-031-1-SP	Screw, mach, s/s, #8-32 x 1/4, P-TH
25	ACDF-05-031-2-SP	Screw, mach, s/s, #4-40 x 1/4, P-TH
26	ACDF-05-031-3-SP	Screw, mach, s/s, #8-32 x 3/8, P-TH
27	ACDF-05-039-SP	Screw, mach, s/s, #8-32 x 1/2, P-PH, ex tooth washer
28	ACDF-07-007-SP	Hinge Standoff, AC2-GP
29	ACDF-09-001-SP	Anchor nut, #8, plastic
30	ACDF-14-037-1-SP	IGUS sheetmetal bushing 5mm
31	ACDF-16-009-1-SP	Wire clip, 1/2", push in
32	ACDM-01-271-SP	Side panel, right, AC2-GP
33	ACDM-01-273-SP	Side panel, left
34	ACDM-02-273-1-SP	Sub cover, FIP, AC2-GP
35	ACDM-05-072-SP	Tube, 5/8"ID x 7/8"OD, latex
36	ACDM-05-073-SP	Tube, 5/8"ID x 7/8"OD, latex
37	ACDP-03-003-SP	Lid, thermoformed, AC2-GP

SUGAR + SWEETENER DISPENSER

AC2-GP-30, AC2-GP-1G38-SC

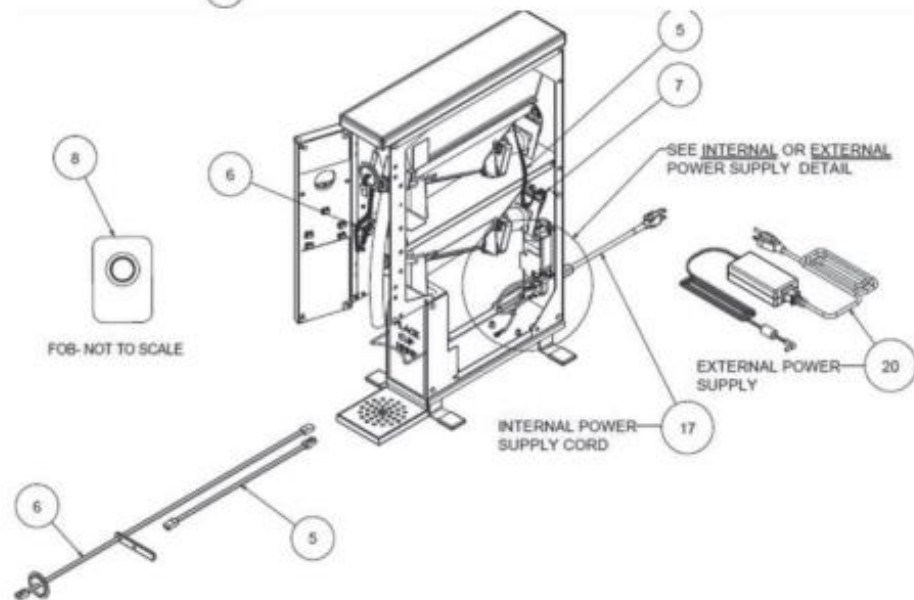
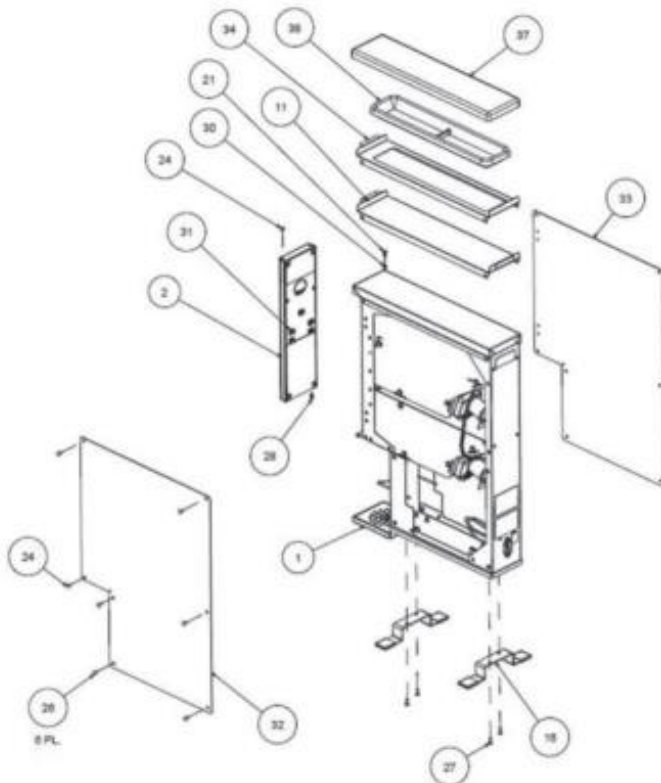
SURESHOT
SOLUTIONS



SURESHOT
SOLUTIONS

SUGAR + SWEETENER DISPENSER

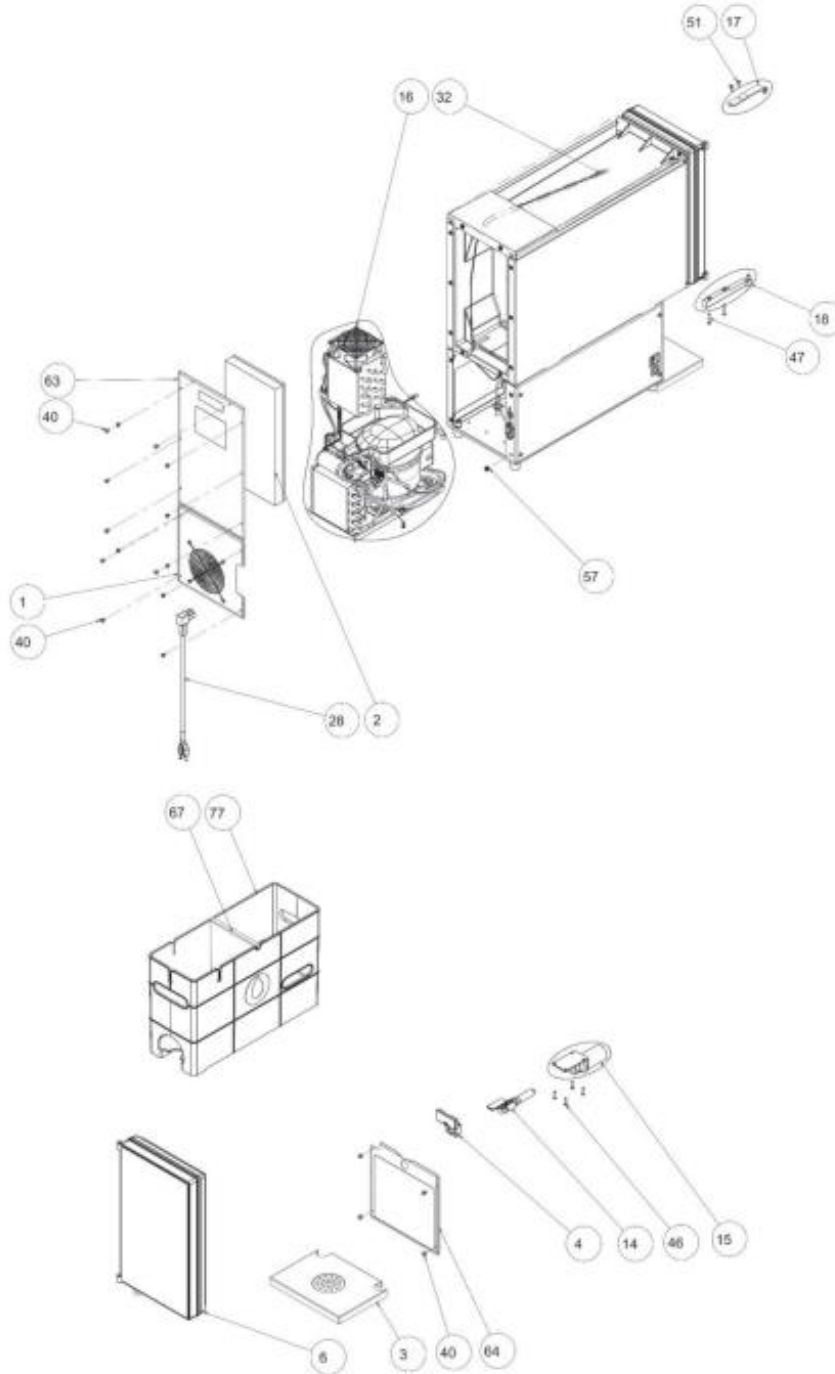
AC2-GP-30, AC2-GP-1G38-SC



SUGAR + SWEETENER DISPENSER

AC 110-V2PCC-1-D2 (ACDAC110-V2)

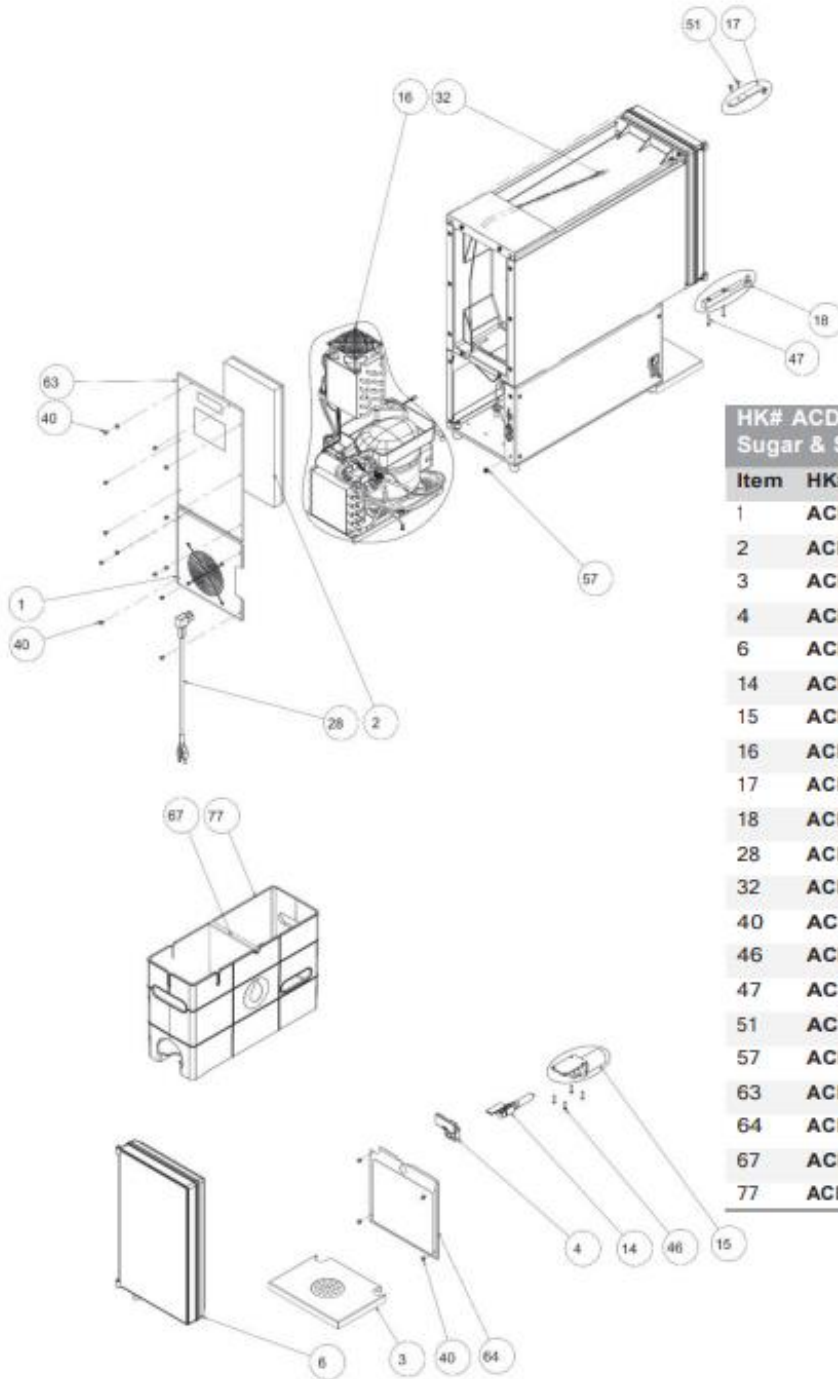
SURESHOT
SOLUTIONS



SURESHOT
SOLUTIONS

SUGAR + SWEETENER DISPENSER

AC 110-V2PCC-1-D2



HK# ACDAC110-V2

Sugar & Sweetener Dispenser

Item	HK#	Description
1	ACDA-04-017-1-SP	Back Panel, Upper
2	ACDA-04-118-2-SP	Back Panel, Styrofoam
3	ACDA-04-133-SP	Catch Tray
4	ACDA-07-022-SP	Valve Door
6	ACDA-09-102-SP	Main Door
14	ACDA-13-032-SP	Plunger
15	ACDA-13-033-SP	Solenoid
16	ACDA-22-138-SP	Refrigeration Cassette
17	ACDA-31-047-1-SP	Top Hinge
18	ACDA-31-048-1-SP	Lower Hinge
28	ACDE-13-215-SP	Power Cord
32	ACDE-19-019-SP	Temp Sensor
40	ACDF-04-002-SP	Screw
46	ACDF-05-002-13-SP	Screw
47	ACDF-05-002-22-SP	Screw
51	ACDF-05-005-6-SP	Screw
57	ACDF-09-001-SP	Anchor Nut
63	ACDM-01-376-1-SP	Back Panel, Upper
64	ACDM-01-378-1-SP	Front Panel
67	ACDM-02-457-SP	Product Case Insert
77	ACDP-01-118-1-SP	Product Case

SPRAY VALVE

B-0107 (TSBB107), B-0107-C (TSBB107C)



RELIABILITY BUILT IN™



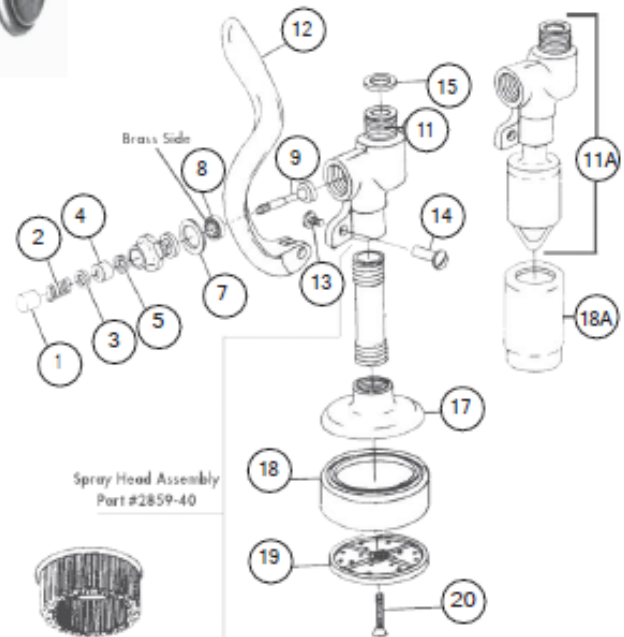
B107C



B107

HK# TSBB107, TSBB107C Spray Valve

Item	HK#	Description
	TS2856-40	Bonnet assy. (includes items 1-9)
1	TS753-25	Push button
2	TS895-45	Bonnet spring
3	TS974-45	Bonnet washer
4	TS1097-45	Packing
5	TS974-45	Bonnet washer
7	TS1040-45	Binding washer
8	TS1084-45	Seat washer
9	TSB000842-20	Stem
11	TS65-40	Squeeze valve body (B107)
11A	TSBB107C	Squeeze valve body (B107C)
12	TS1120-45	Squeeze valve handle
13	TSB000934-45	Handle screw
14	TSB000973-45	Handle nut
15	TSB010476-45	Hose washer
17	TS19-40	Spray cup
18	TSB7861-45	Rubber ring (B107)
18A	TS2659-45	Rubber shield (B107C)
19	TS1121-45	Spray face
20	TS913-45	Spray face screw





RELIABILITY BUILT IN™

SPRAY VALVE

MCD-0108-C (TSBMCD-0108-C), MCD-0108-CF (TSBMCD-0108-CF)

HK# TSBMCD-0108-C, TSBMCD-0108-CF, Spray Valve

Item	HK#	Description
1	TSB108T-RK	Trigger Repair Kit
2	TSB108CSF-RK	Spray Face Repair Kit
3	TSB108S-RK	Inlet Screen/Washer Repair Kit
4	TSB108V-RK	Valve Repair Kit
5	TSB000729-40	Nut, 1/8"-20 F x 3/4"-14 M (For Model MCD-0108-CF only)

Note: Individual items in repair kits are not sold separately



PRE-RINSE

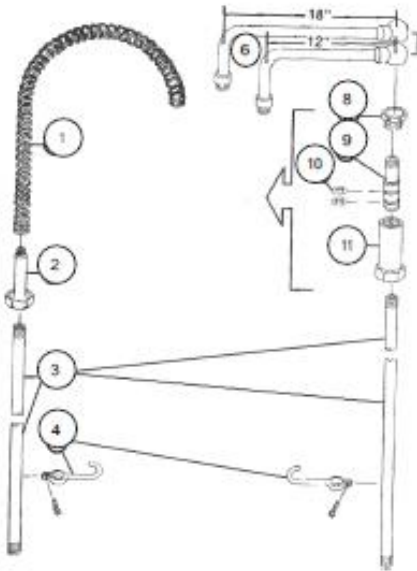
B-0111, B-0112, B-0123, B-0133 (TSB-B-0133)



RELIABILITY BUILT IN™

HK# B-0111, B-0112, B-0113, B123, B-0133

Item	HK#	Description
1	TS888-45	Spring
2	TS821-40	Spring body
3	TS376-40	Riser 32"
4	TS21-40	Finger hook
6	TS385-40	L-Tube only-18"
8	TS735-40	Swivel hex nut
9	TS839-25	Swivel stem
10	TS1074-45	O-Ring (req. 2)
11	TS591-25	Swivel body

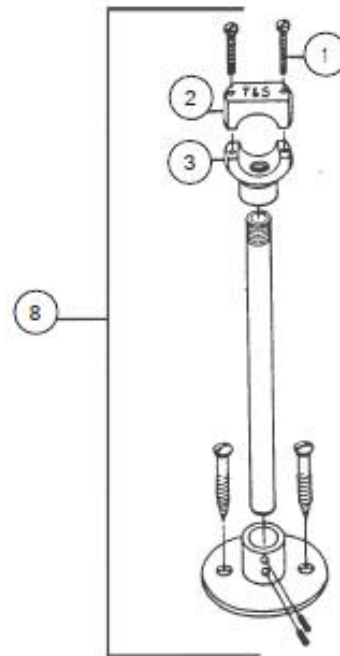


Miscellaneous T&S Adapters & Parts

Item	HK#	Description
A	TSBB412	Rigid to swivel adapter
B	TSBB-0413	Swivel to rigid adapter
C	TSB172A	T & S hose to fisher valve
D	TSBB-970-FE	Atmospheric back flow preventer
E	TSBB10K	Spray valve repair kit

Wall Brackets

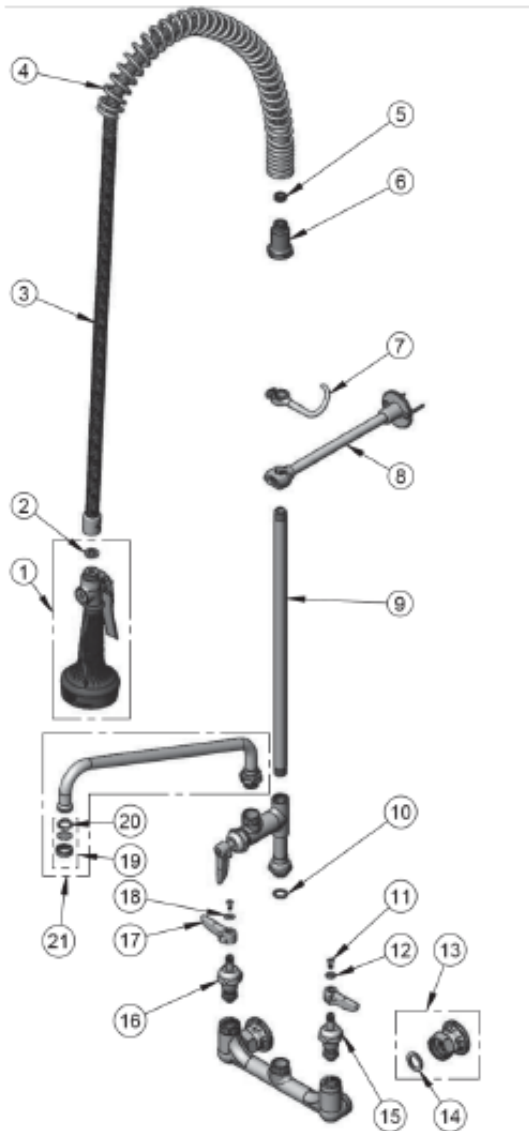
Item	HK#	Description
1	TS914-45	Screw (req. 2)
2	TSB000631-40	Clamp (front)- 1/8" IPS
3	TS636-40	Clamp (back)- 1/8" IPS
8	TSBB109-01	6" Wall bracket complete





PRE-RINSE

MCD-0133-1CR-8C (TSBMCD-0133-1CR-8C)

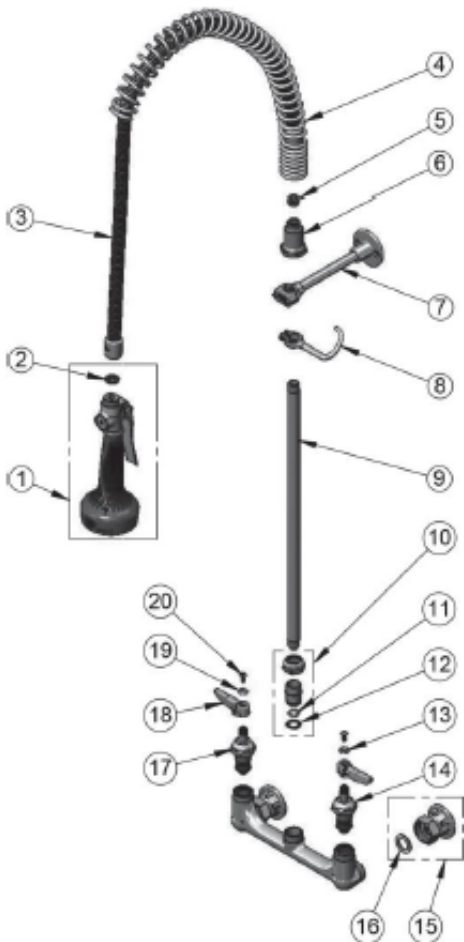


HK# TSBMCD-0133-CRB8C Pre-Rinse		
Item	HK#	Description
1	TSBB-0108-C	Spray valve assembly with washer
2	TS1014-45	Washer, B-0100 hose barrel
3	TSBB56H-2A	56" flex hose assembly, less handle
4	TS888-45	Easy/Install overhead spring
5	TSB010476-45	#27 washer
6	TS821-40	Spring body
7	TS004R	Finger hook assembly
8	TSBB-0109-02	9" wall support assembly
9	TSB000369-40	3/8" NPT x 18" long riser
10	TSB014200-45	Star washer, anti-rotation
11	TS922-45	Lever handle screw
12	TS1660-45	Blue index-CW
13	TSB00AA	Flange assembly
14	TSB001019-45	Coupling nut washer
15	TSB012395-25	Cerama cartridge, LTC with check valve
16	TSB012394-25	Cerama cartridge, RTC with check valve
17	TS001638-45	Lever handle
18	TSB001661-45	Red index - HW
19	TSBB-PT	Stream regulator outlet
20	TS048-45	Nozzle tip washer
21	TSB63X	14" swing nozzle assembly



PRE-RINSE

MCD-0133-CR-B8C (TSBMCD-0133-CRB8C)



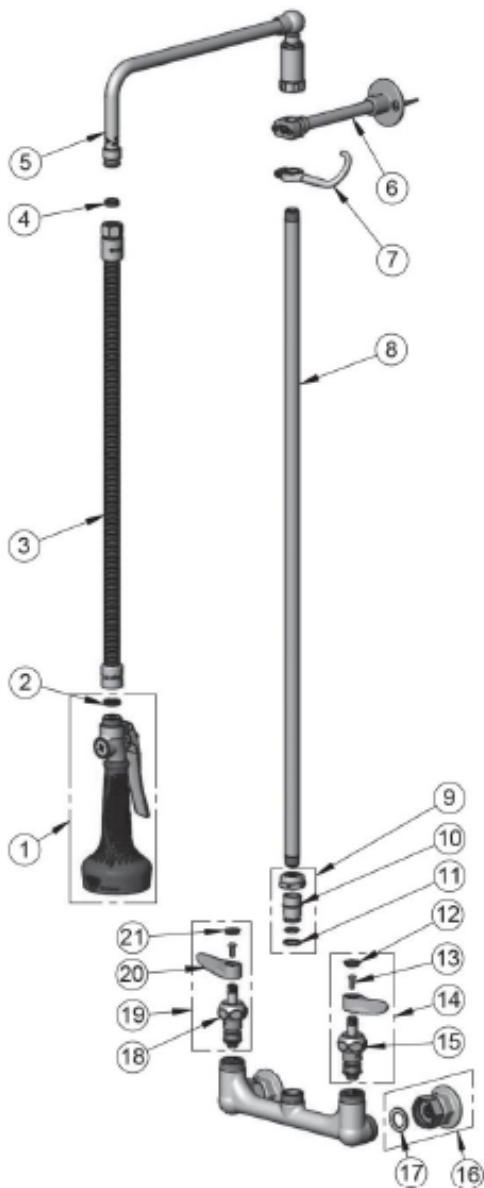
HK# TSBMCD-0133-CRB8C Pre-Rinse

Item	HK#	Description
1	TSBB-0108-C	Spray valve assembly with washer
2	TS1014-45	Washer, B-0100 hose barrel
3	TSBB44H-24	44" flexible s/s hose, less handle
4	TS888-45	Overhead spring
5	TSB010476-45	#27 washer
6	TS821-40	Spring body
7	TSBB109-01	6" wall bracket
8	TSTS004R	Finger hook
9	TSBTSB000369-40	3/8" NPT x 18" riser
10	TSBEZ-K	EasyInstall Kit: nut, bushing, o-ring & lock washer
11	TSB001065-45	O-Ring
12	TSB014200-45	Star washer, anti-rotation
13	TS1660-45	Blue index-CW
14	TSB012395-25	Cerama cartridge, LTC with check valve
15	TSB00AA	1/2" NPT female eccentric flange
16	TSB001019-45	Coupling nut washer
17	TSB012394-25	Cerama cartridge, RTC with check valve
18	TS001638-45	Lever handle
19	TSB001661-45	Red index - HW
20	TS922-45	Lever handle screw



PRE-RINSE

MCD-2130-CR-B8C (TSBMCD2130-CR-B8C)



HK# MCD-2130-CR-B8C Pre-Rinse

Item	HK#	Description
1	TSBB-0108-C	Spray valve assembly with washer
2	TS1014-45	Washer, B-0100 hose barrel
3	TSBB-0028-H2A	28" flexible s/s hose less grip handle
4	TSB010476-45	#27 washer
5	TSB2882-40	12" swivel L-tube
6	TSBB109-01	6" wall bracket
7	TS004R	Finger hook
8	TS0376-40	3/8" NPT x 32" riser
9	TSBEZ-K	EasyInstall kit
10	TSB001065-45	O-ring
11	TSB014200-45	Star washer, anti-rotation
12	TSB018506-19NSTSB	Blue button index, press-in
13	TSB000925-45	Lab handle screw
14	TSR012447-25NS	Quarter-turn Cerama cartridge with check valve, handle, blue index, & screw, LTC
15	TSB012395-25NST	Quarter-turn Cerama cartridge with check valve, LTC
16	TSB00AA	1/2" NPT female eccentric flange
17	TSB001019-45	Coupling nut washer
18	TSB012394-25NS	Quarter-turn Cerama cartridge with check valve, RTC
19	TSB012446-25NS	Quarter-turn Cerama cartridge with check valve, handle, red index & screw, RTC
20	TS001638-45NS	Lever handle (new style)
21	TSB001193-19NS	Red button index, press-in

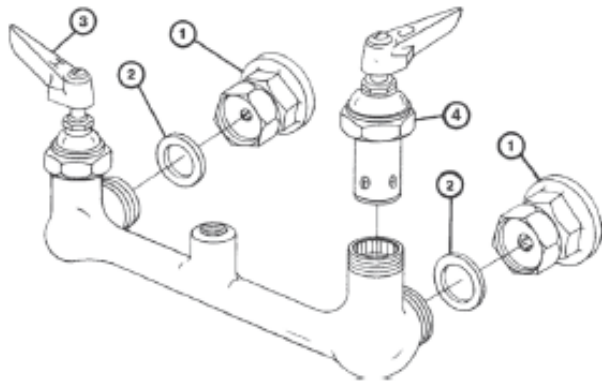




RELIABILITY BUILT IN™

WALL FAUCET

50A



HK# 50A Wall Faucet

Item	HK#	Description
1	TSB2893-40	Coupling flange (includes item #2)
2	TSB1019-45	Washer
3	TS2712-40	Hot spindle assy. Complete
4	TS2711-40	Cold spindle assy. Complete

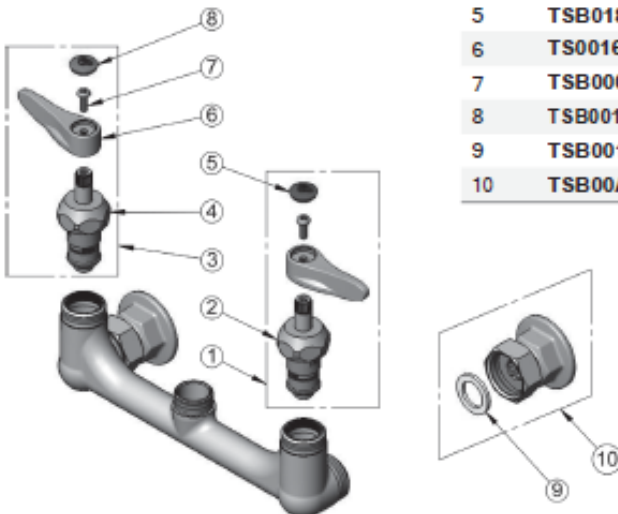


RELIABILITY BUILT IN™

B-0230-CR-LN

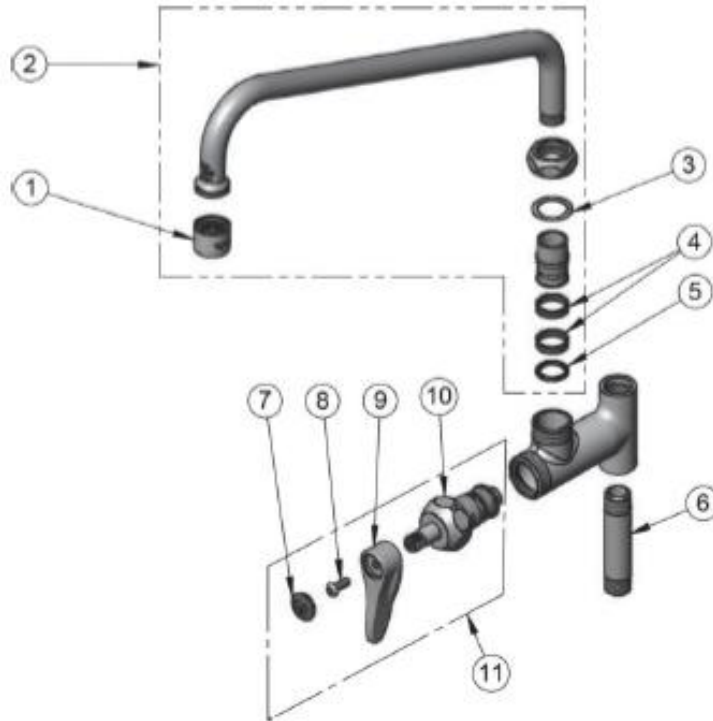
HK# TSBMCD-0231-CR

Item	HK#	Description
1	TSB012447-25NS	Quarter-turn Cerama cartridge with check valve, handle, blue index & screw, LTC
2	TSB012395-25NS	Quarter-turn Cerama cartridge with check valve, LTC
3	TSB012446-25NS	Quarter-turn Cerama cartridge with check valve, handle, red index & screw, RTC
4	TSB012394-25NS	Quarter-turn Cerama cartridge with check valve, RTC
5	TSB018506-19NS	Blue button index, press-in
6	TS001638-45NS	Lever handle (new style)
7	TSB000925-45	Lab handle screw
8	TSB001193-19NS	Red button index, press-in
9	TSB001019-45	Coupling nut washer
10	TSB00AA	½" NPT female eccentric flange



ADD-ON FAUCET

B-0156-CR (TSBMCD-0156-CR)



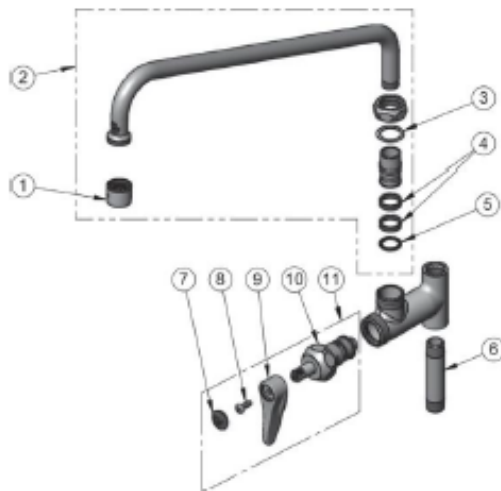
HK# TSBMCD-0156-CR Add-On Faucet

Item	HK#	Description
1	TSBB-PT	Full flow stream regulator, 55/64-27
2	TSB62X	12" swivel nozzle
3	TSB009538-45	Swivel washer
4	TSB011429-45	Swivel sleeves (2)
5	TSB001074-45	O-Ring
6	TSB000358-40	Nipple, 1/8" NPT x 3"
7	TSB018506-19NS	Blue button index, press-in
8	TSB000925-45	Lab handle screw
9	TSB001638-45NS	Lever handle (new style)
10	TSB012394-25NS	Quarter-turn Cerama cartridge with check valve, RTC
11	TSB019641-25	Quarter-turn Cerama cartridge RTC with check valve, handle, blue index & screw



ADD-ON FAUCET

B-0158-CR (TSBMCD-0158-CR)



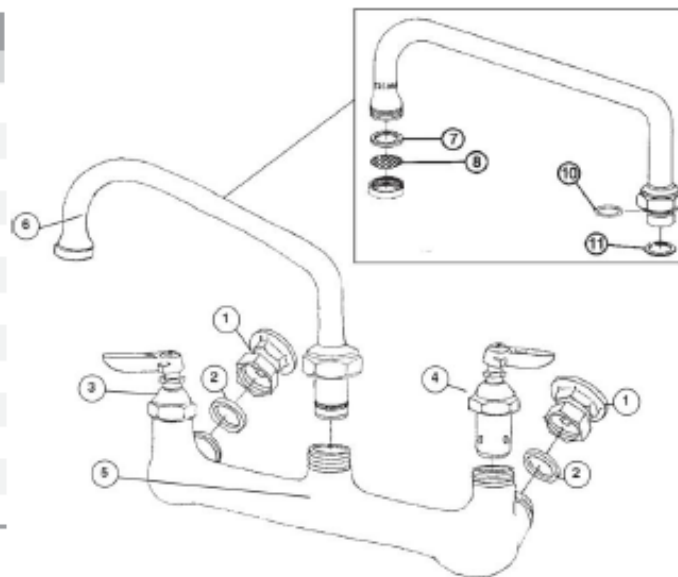
HK# TSBMCD-0158-CR Add-On Faucet		
Item	HK#	Description
1	TSBB-PT	Full flow stream regulator, 55/64-27
2	TSB63X	14" swivel nozzle
3	TSB009538-45	Swivel washer
4	TSB011429-45	Swivel sleeves (2)
5	TSB001074-45	O-Ring
6	TSB00358-40	Nipple, 3/8" NPT x 3"
7	TSB018506-19NS	Blue button index, press-in
8	TSB000925-45	Lab handle screw
9	TSB001638-45NS	Lever handle (new style)
10	TSR012394-25NS	Quarter-turn Cerama cartridge with check valve, RTC
11	TSB019641-25	Quarter-turn Cerama cartridge RTC with check valve, handle, blue index & screw



B-0230, B-0231 (TSBB-0231)

HK# B230LN, TSBB-0231		
Item	HK#	Description
1	TSB2893-40	Coupling flange (includes item #2)
2	TSB1019-45	Washer
3	TS2714-40	Hot spindle assy. complete
4	TSB2713-40	Cold spindle assy. complete
5	TSBB230LN	Faucet body
6	TSB65X	18" Swing nozzle (B230)
*	TSB63X	14" Swing nozzle
*	TSB62X	12" Swing nozzle (B231)
*	TSB59X	6" Swing nozzle (B232)
7	TS1048-45	Washer
8	TSBB-PT	Regulator, full stream outlet
10	TSB001074-45	O-Ring
11	TSB001028-45	Washer

*Not shown

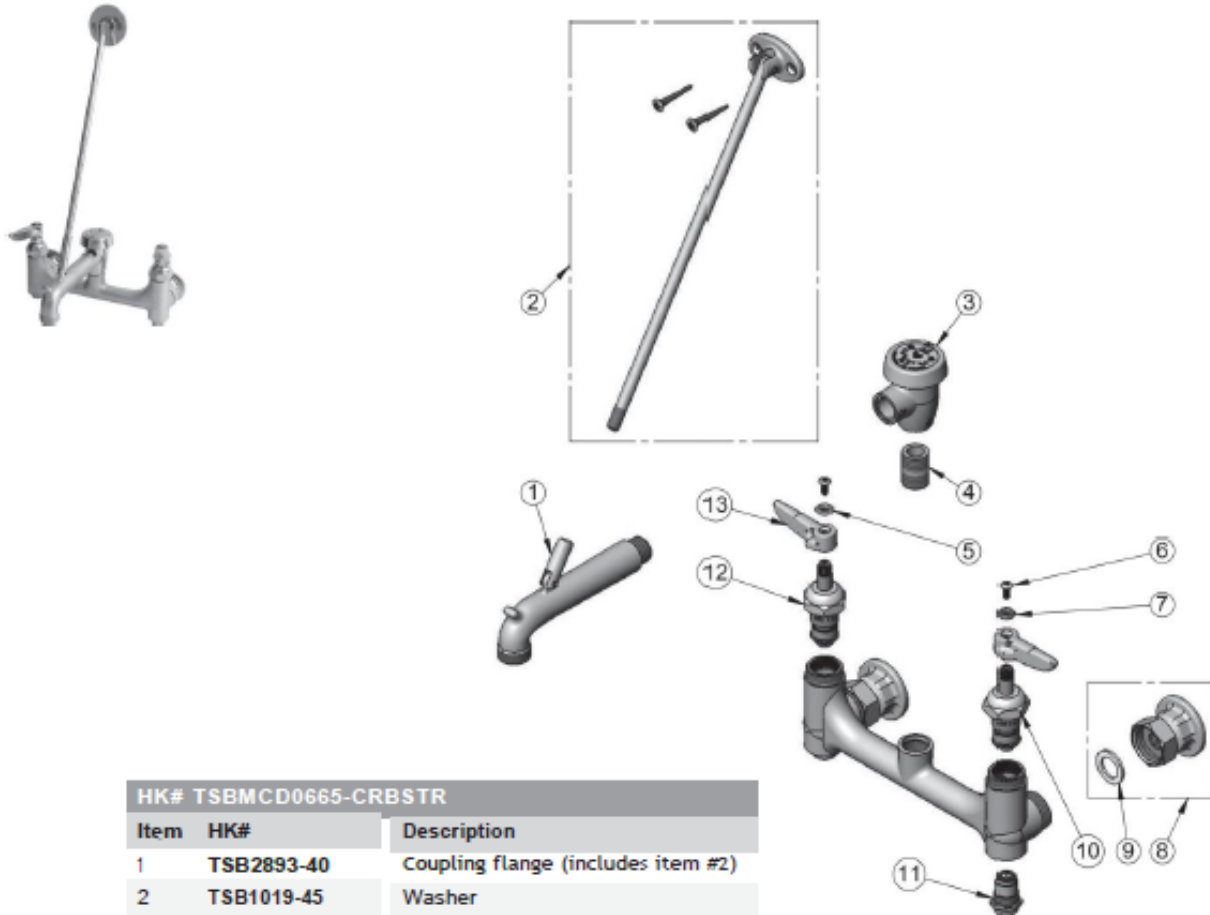


SERVICE SINK FAUCET

B-0665-CRBSTR (TSBMCD0665-CRBSTR)



RELIABILITY BUILT IN™



HK# TSBMCD0665-CRBSTR		
Item	HK#	Description
1	TSB2893-40	Coupling flange (includes item #2)
2	TSB1019-45	Washer
3	TS2714-40	Hot spindle assy. complete
4	TS2713-40	Cold spindle assy. complete
5	TSBB230LN	Faucet body
6	TSB65X	18" Swing nozzle (B230)
*	TSB63X	14" Swing nozzle
*	TSB62X	12" Swing nozzle (B231)
*	TSB59X	6" Swing nozzle (B232)
7	TS1048-45	Washer
8	TSBB-PT	Regulator, full stream outlet
9	863-25	Nozzle Tip
10	TSB001074-45	O-Ring
11	TSB001028-45	Washer

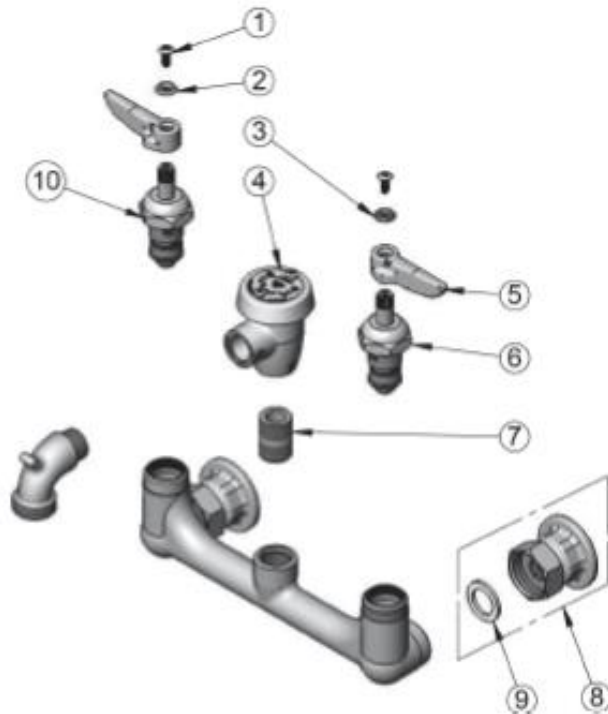
*Not shown





SERVICE SINK FAUCET

B-0674-CR-BSTP (TSBMCD-0674CR-POL)



HK# TSBMCD-0674CR-POL Service Sink Faucet		
Item	HK#	Description
1	TS000922-45	Lever handle screw
2	TSB001661-45	Red index-HW
3	TS001660-45	Blue index-CW
4	TSBB-0969	1/2" NPT vacuum breaker
5	TS001638-45	Lever handle
6	TSB012395-25	Cerama cartridge, LTC with check valve
7	TSB002534-25	Close nipple, 1/2" x 1/2" lg rough chrome
8	TSB00AA	Flange assembly
9	TSB001019-45	Coupling nut washer
10	TSB012394-25	Cerama cartridge, RTC with check valve

COLD SPINDLE ASSEMBLY

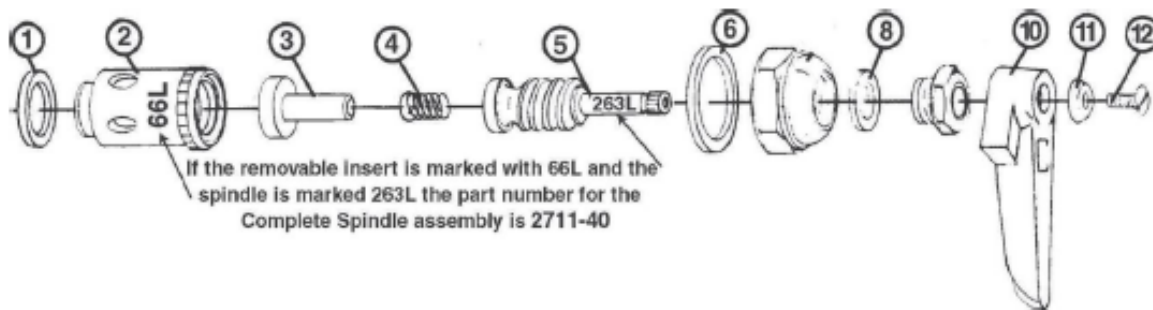
002711-40 (TS2711-40)



RELIABILITY BUILT IN™

HK# TS2711-40 Cold Spindle Assembly		
Item	HK#	Description
1	TS1022-45	Bottom gasket
2	TS789-20	Removable insert (66L) (includes item #1)
3	TS3164-45	Seat assy.
4	TSB005016-45	Spring
5	TSB001908-25	Cold spindle (263L)

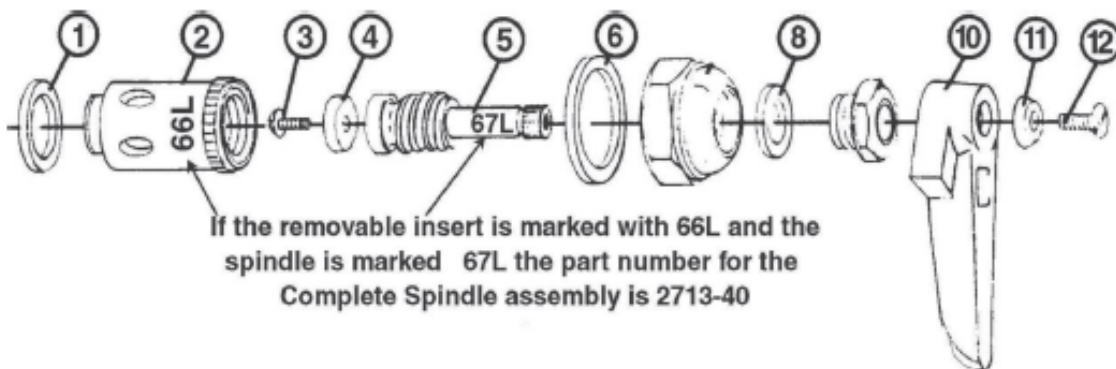
HK# TS2711-40 Cold Spindle Assembly		
Item	HK#	Description
6	TS2601-45	Top gasket
8	TS1098-45	Packing
10	TS1636-45	Lever handle (cold)
11	TS1660-45	Index button (cold)
12	TS922-45	Handle screw



002713-40 (TS2713-40)

HK# TS2713-40		
Item	HK#	Description
1	TS1022-45	Bottom gasket
2	TS789-20	Removable insert (66L, includes item #1)
3	TSB000933-45	Seat screw
4	TS1092-45	Seat washer
5	TS812-25	Cold spindle (67L)

HK# TS2713-40		
Item	HK#	Description
6	TS2601-45	Top gasket
8	TS1098-45	Packing
10	TS1636-45	Lever handle (cold)
11	TS1660-45	Index button (cold)
12	TS922-45	Handle screw





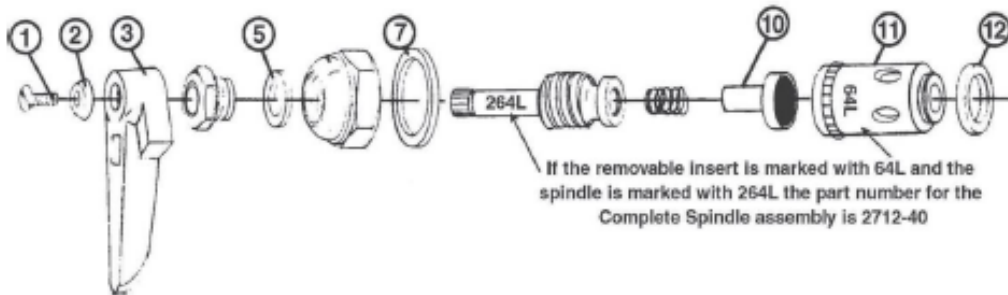
RELIABILITY BUILT IN™

HOT SPINDLE ASSEMBLY

002712-40 (TS2712-40)

HK# TS2712-40		
Item	HK#	Description
1	TS922-45	Handle screw
2	TSB001661-45	Index button (hot)
3	TS1637-45	Lever handle (hot)
5	TS1098-45	Packing
7	TS2601-45	Top gasket

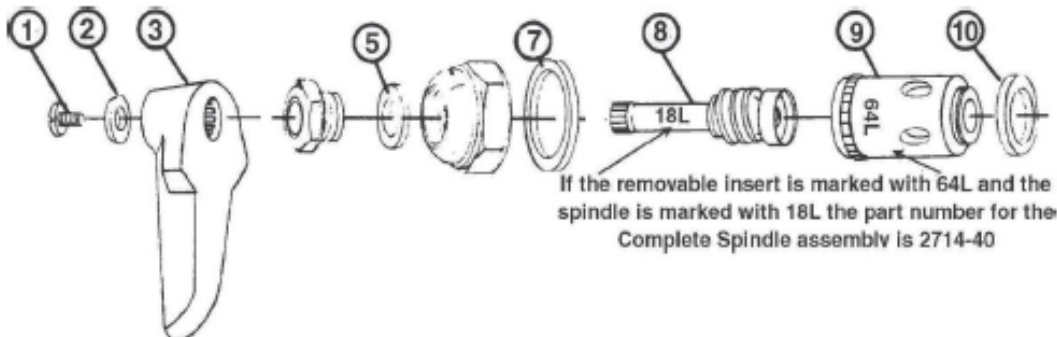
HK# TS2712-40		
Item	HK#	Description
10	TS3164-45	Seat assy.
11	TSB000788-20	Removable insert (64L) (includes item #10)
12	TS1022-45	Bottom gasket



002714-40 (TS2714-40)

HK# TS2714-40		
Item	HK#	Description
1	TS922-45	Handle screw
2	TSB001661-45	Index button (hot)
3	TS1637-45	Lever handle (hot)
5	TS1098-45	Packing
7	TS2601-45	Top gasket

HK# TS2714-40		
Item	HK#	Description
8	TS811-25	Hot spindle (18L)
9	TSB000788-20	Removable insert (64L) (Includes item #10)
10	TS1022-45	Bottom gasket



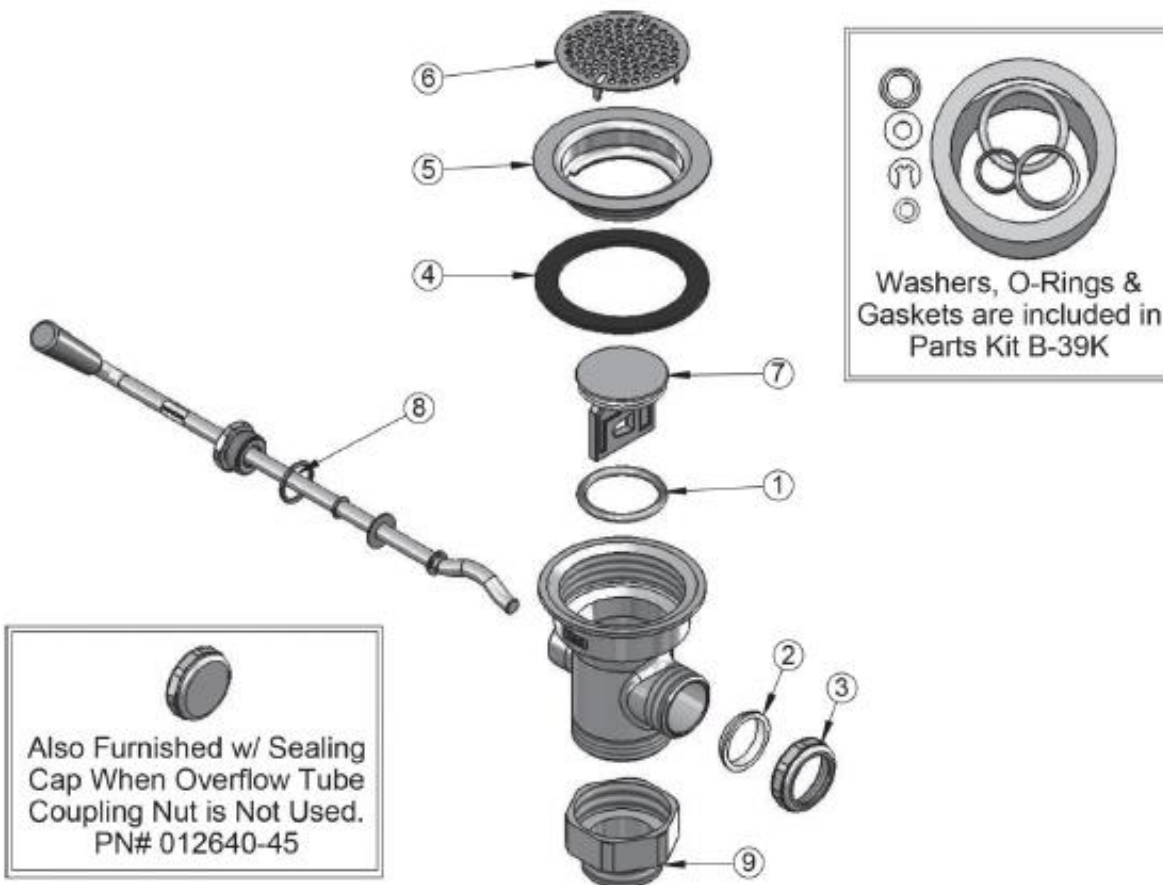
ROTARY WASTE VALVE

B-3940



HK# B-3940		
Item	HK#	Description
1	TSB010389-45	O-ring, plunger
2	TSB010390-45	Ferrule, coupling nut
3	TSB010391-45	Nut, coupling for twist drain
4	TSB010381-45	Gasket, 3" face flange
5	TSB015306-45	Flange, 3" face

HK# B-3940		
Item	HK#	Description
6	TSB010385-45	Strainer, 3" snap-in
7	TSB010388-45	Plunger, lever and twist drain
8	TSB010393-45	Handle, rotary waste valve twist
9	TSBB-3945	Adapter, 2" NPT x 1 1/2" NPT

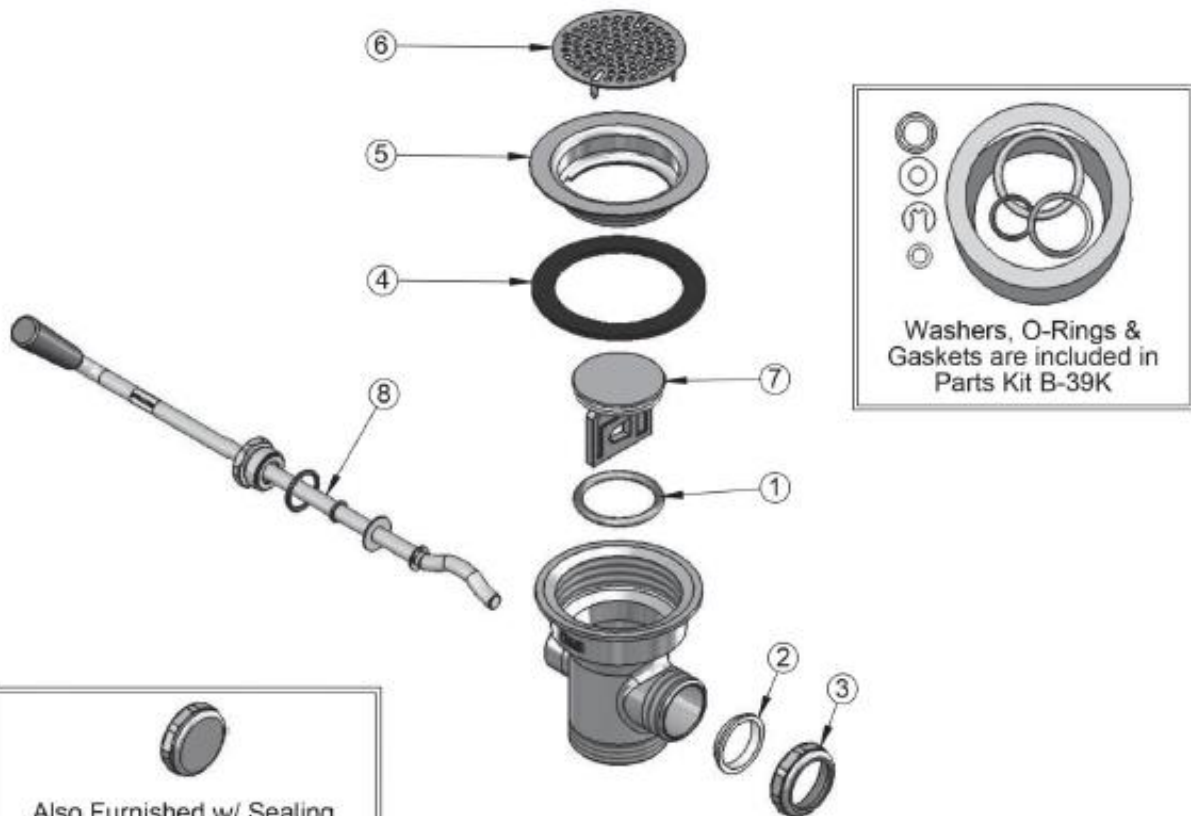




ROTARY WASTE VALVE

B-3942

HK# B-3942 - Rotary Waste Valve		
Item	HK#	Description
1	TSB010389-45	O-ring, plunger
2	TSB010390-45	Ferrule, coupling nut
3	TSB010391-45	Nut, coupling for twist drain
4	TSB010381-45	Gasket, 3" face flange
5	TSB015306-45	Flange, 3" face
6	TSB010385-45	Strainer, 3" snap-in
7	TSB010388-45	Plunger, lever and twist drain
8	TSB010393-45	Handle asm, rotary waste valve twist



Also Furnished w/ Sealing Cap When Overflow Tube Coupling Nut is Not Used.
PN# 012640-45



ROTARY WASTE VALVE

B-3950 (TSBMCD-3950)

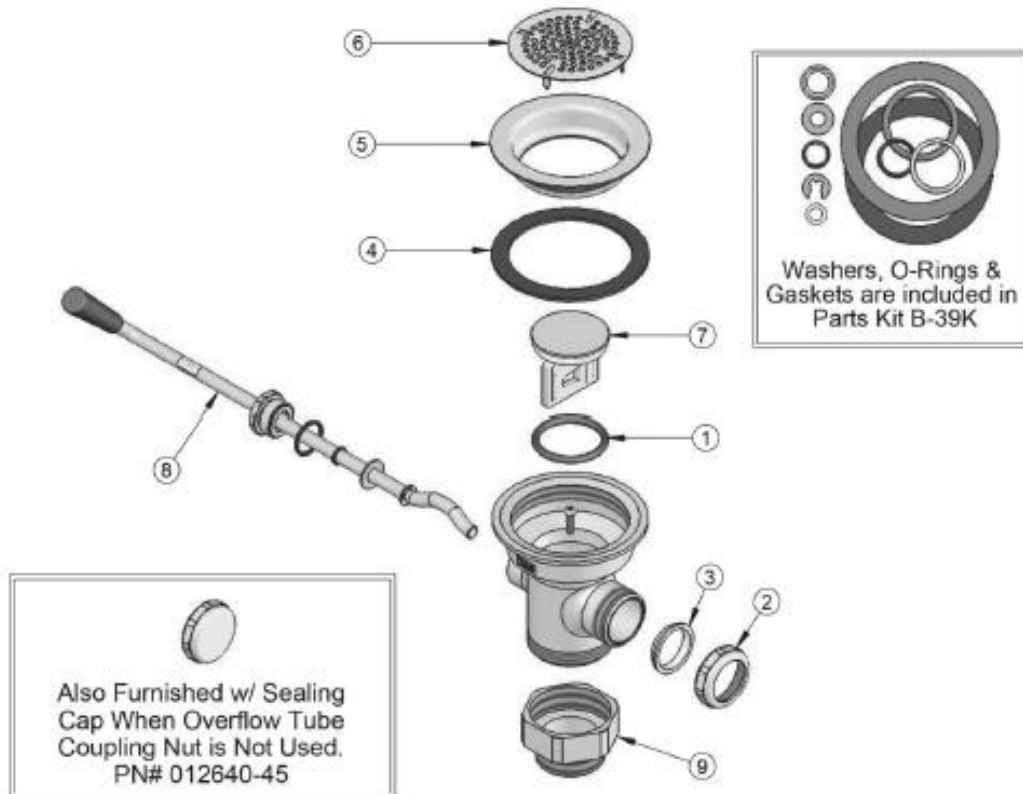


RELIABILITY BUILT IN™



HK# TSBMCD-3950 Rotary Waste Valve

Item	HK#	Description
1	TSB010389-45	O-ring, plunger
2	TSB010391-45	Nut, coupling nut
3	TSB010390-45	Ferrule, coupling nut
4	TSB010382-45	Gasket, 3 1/2" face flange
5	TSB010384-45	Flange, 3 1/2" face
6	TSB010386-45	Strainer, 3 1/2" snap-in removable
7	TSB010388-45	Plunger, lever and twist drain
8	TSB010393-45	Handle asm, rotary waste valve twist
9	TSBB-3945	Adapter, 2" NPT x 1 1/2" NPT



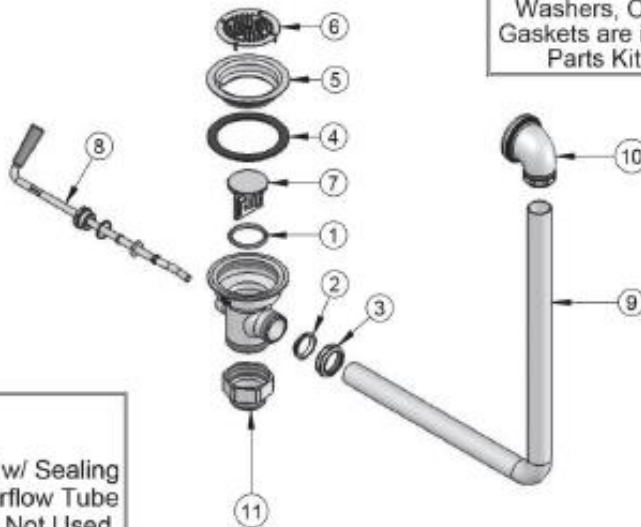


RELIABILITY BUILT IN™

ROTARY WASTE VALVE B-3950-01 (TSBMCD-3950-01)



HK# TSBMCD-3950-01 Rotary Waste Valve		
Item	HK#	Description
1	TSB010389-45	O-ring, plunger
2	TSB010390-45	Ferrule, coupling nut
3	TSB010391-45	Nut, coupling for twist drain
4	TSB010382-45	Gasket, 3/4" face flange
5	TSB010384-45	Flange, 3/4" face
6	TSB010386-45	Strainer, 3/4" snap-in removable
7	TSB010388-45	Plunger, lever and twist drain
8	TSB010393-45	Handle, asm, rotary waste valve twist
9	TSB011355-45	Tube, overflow elbow
10	TSB011356-45	Head asm, overflow tube
11	TSBB-3945	Adapter, 2" NPT x 1 1/2" NPT



Also Furnished w/ Sealing
Cap When Overflow Tube
Coupling Nut is Not Used.
PN# 012640-45



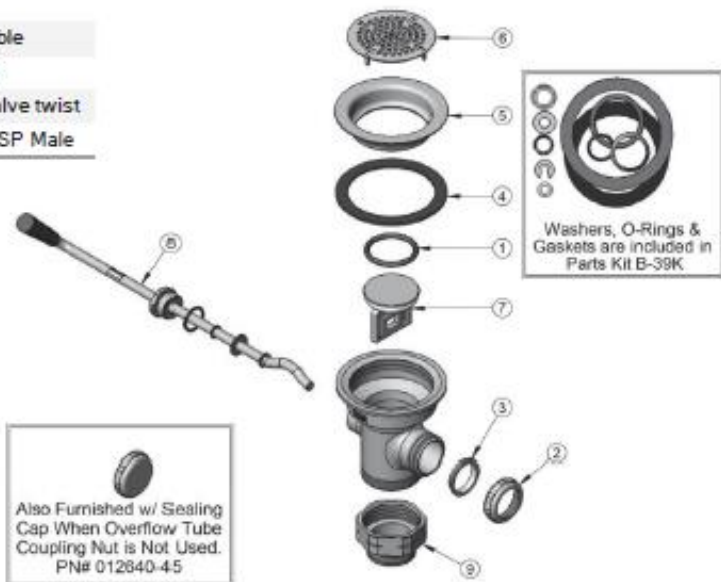
ROTARY WASTE VALVE

B-3950-BSP



HK# MCD-3950 Rotary Waste Valve

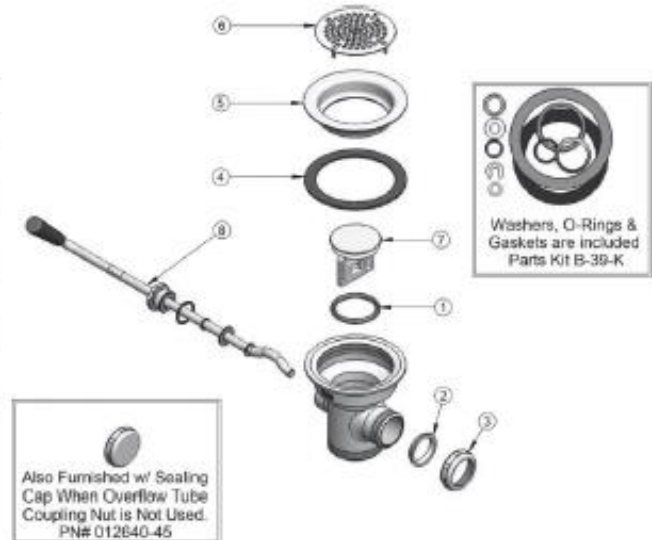
Item	HK#	Description
1	TSB010389-45	O-ring, plunger
2	TSB010391-45	Nut, coupling for twist drain
3	TSB010390-45	Ferrule, coupling nut
4	TSB010382-45	Gasket, 3½" face flange
5	TSB010384-45	Flange, 3½" face
6	TSB010386-45	Strainer, 3½" snap-in removable
7	TSB010388-45	Plunger, lever and twist drain
8	TSB010393-45	Handle, asm, rotary waste valve twist
9	TSBB-3945-BSP	Adapter, 2" NPT Male x 1½" BSP Male



B-3952-BSP

HK# MCD-3952 Rotary Waste Valve

Item	HK#	Description
1	TSB010389-45	O-Ring, plunger
2	TSB010390-45	Ferrule, coupling nut
3	TSB010391-45	Nut, coupling for twist drain
4	TSB010382-45	Gasket, 3½" face flange
5	TSB010384-45	Flange, 3½" face
6	TSB010386-45	Strainer, 3½" snap-in removable
7	TSB010388-45	Plunger, lever and twist drain
8	TSB010393-45	Handle asm, rotary waste valve twist



BEVERAGE DISPENSER, DUAL FLAVOR, NON-CARBONATED

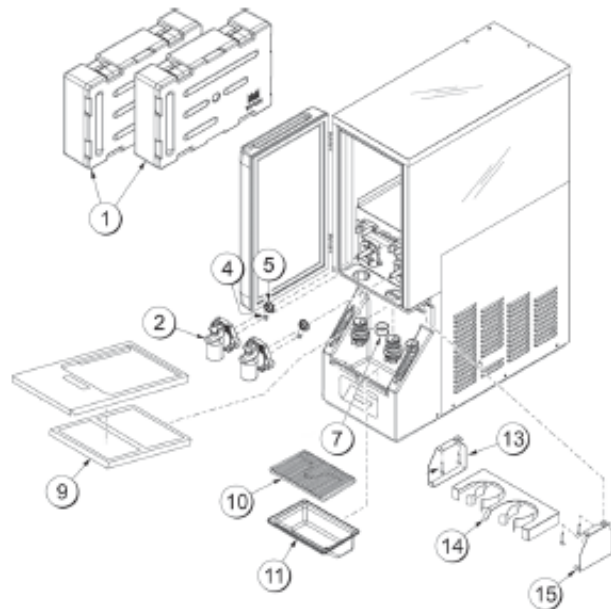


C009A (TAYC00912K000A)

HK# TAYC00912K000A		
Item	HK#	Description
1	ABSX64309-SER	Cassette A.-Complete
2	ABS064160	Head, pump with mixer & clamping ring
4	ABS063401-15	O-Ring, pump head
5	ABS063401-16	Seal, pump piston
7	ABS018664	O-Ring 1-3/8 OD x .103 W
9	ABS063578	Filter air without frame
10	ABS063429	Shield, splash
11	ABS063405	Tray, drip
13	ABS065939	Bracket, cup, holder left
14	ABSX65951	Holder A., cup
15	ABS065940	Bracket, cup, holder right
*	ABS063469	Gasket
*	ABSX68357-SER	Cup size display
*	ABS063543	Clips
*	ABSX63427-SER	Nozzle

*Not shown

HK# TAYC00912K000A		
Item	HK#	Description
1	ABS048260-WHT	Tool, cleaning o-ring removal
3	ABS044818	Bottle, wash, plastic
4	ABS039719	Brush, end, door, spout



BLENDED ICE MACHINE

TAYC029, TAYC029-C I



HK# ABSX66750

Attachment tube for cleaning

HK# ABSX66468

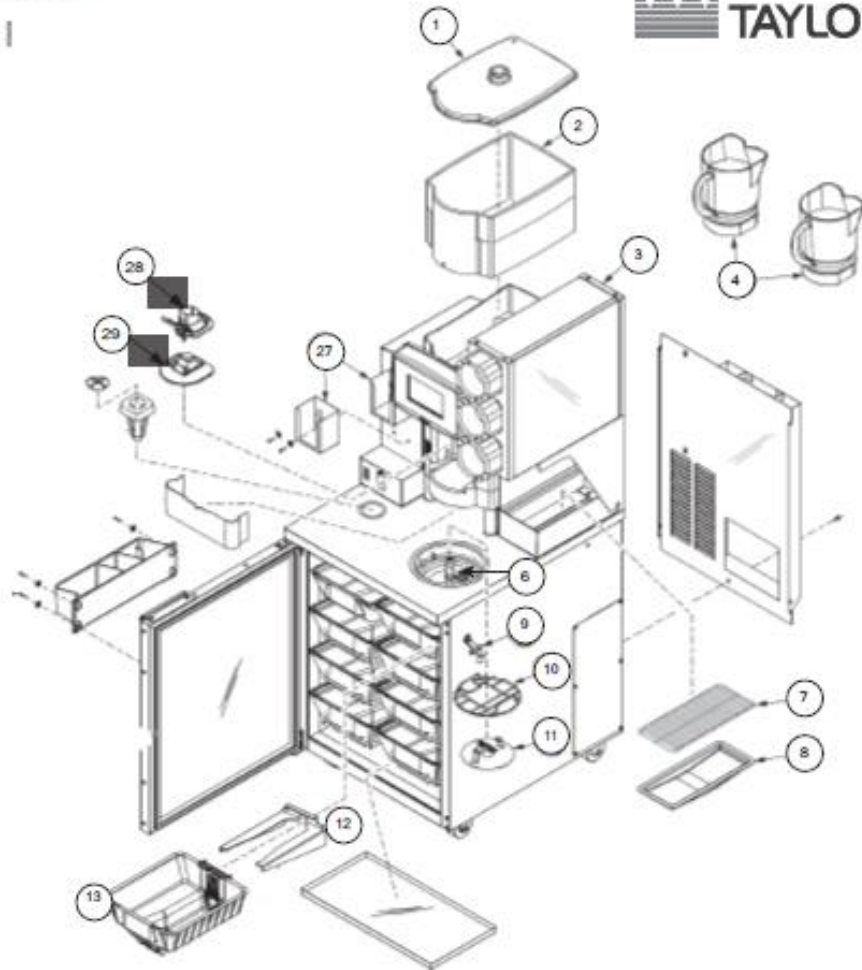
Cleaning tubes, pack of 8

HK# ABS065194-49

Cover, cone

Buckets for cleaning

HK#	Description
ABSX66168-R	Rinse
ABSX66168-S	Sanitize
ABSX66168-W	Wash



HK# TAYC029, TAYC029-CR Blended Ice Machine		
Item	HK#	Description
1	ABS065194-2B	Cover, ice hopper
2	ABS065194-2A	Hopper, ice "bin only"
3	ABSX66687	Dispenser A., cup
4	ABS083354	Pitcher, blender
6	ABS066814	Spray rinse nozzle
7	ABS064995	Grate, stand, pitcher
8	ABS066511	Pan, drip, rack rinser
9	ABSX66755	Actuator A., rinser
10	ABS064997	Grate, bowl rinse
11	ABSX66311	Strainer A., sink
12	ABSX67076	Bin support
13	ABSX67726	Bin

*Not shown

HK# TAYC029, TAYC029-CR Blended Ice Machine		
Item	HK#	Description
27	ABS067947	Holder, lid
28	ABS065194-7	Ice chute
29	ABS065194-8	Splash guard
*	ABS066273	Calibration clip
*	ABS064950-2	Gasket
*	ABS067813	Holder, bottle
*	ABS067691	Holder, whipped cream can
*	ABS067488	Pan, bottom cart
*	ABS069087	Kit, blade cartridge
*	ABSX67067	Panel A-front control f/ C029 bin

*Not shown

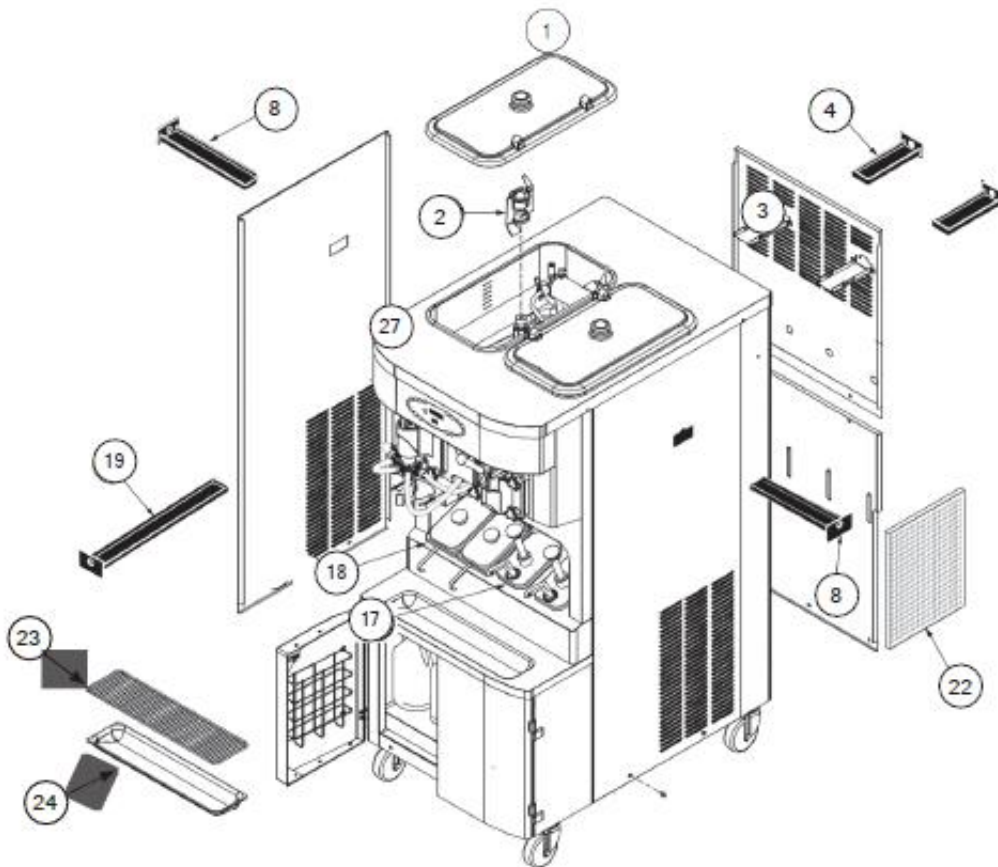




SHAKE/SUNDAE MACHINE C602 (TAYC60233H000)

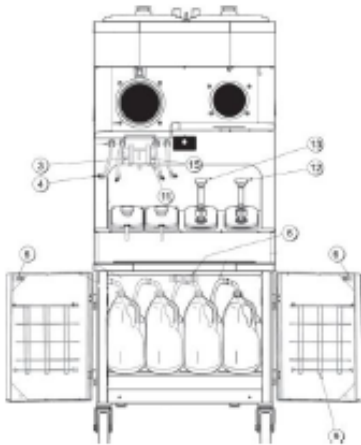
HK# TAYC60233H000 Shake/Sundae Machine		
Item	HK#	Description
1	ABSX65368	Lid, single
	ABSX65178	Lid, dual
2	ABSX44797	Agitator assembly
4	ABSX56003	Pan, drip, rear 8 $\frac{1}{4}$ " long (22.2 cm)
8	ABSX56005	Pan, drip, side 12, $\frac{3}{4}$ " long (32.4 cm)
17	ABS036574	Jar, syrup, s/s, shallow
18	ABS033637-1	Ladle, 1 oz. (30 ml.)
19	ABS035034	Pan, drip 19 $\frac{1}{4}$ " long (50.2 cm)
22	ABS052779-3	Filter, air 18.0 L x 13.5 H x .70 W
23	ABS33813	Grate
24	ABS33812	Drip tray
*	ABS99-5509	Calibration cup
*	ABSX57332-SER	Door A, with baffle (sundae side)
*	ASBX55825SER2	Door, shake side

*Not shown



SHAKE/SUNDAE MACHINE

C602



Front View		
Item	HK#	Description
3	ABS068394	Clip, spring cup holder
4	ABSX56652	Line A., syrup door
†6	ABS016121	Magnet, cabinet
9	ABS059144	Rack, syrup cabinet door
11	ABS056008	Holder, cup shake
12	ABSX53800-BRN	Pump A., syrup, heated (chocolate)
13	ABSX53800-TAN	Pump A., syrup, heated (caramel)
15	ABS068394	Clip, spring cup holder

*Not shown

†Prior to serial number K4091994, use 058630 latch, door, magnetic.

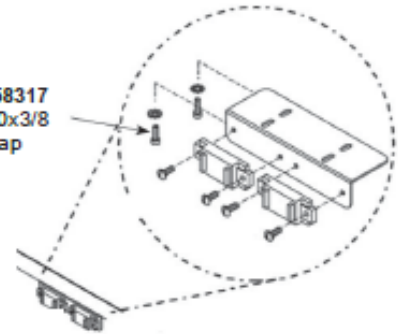
Mix & Pump Tubes

Item	HK#	Description
2	ABSX54978	Kit A., peristaltic pump tube (1 tube)
5	ABS024278	O-Ring ½ OD x .070

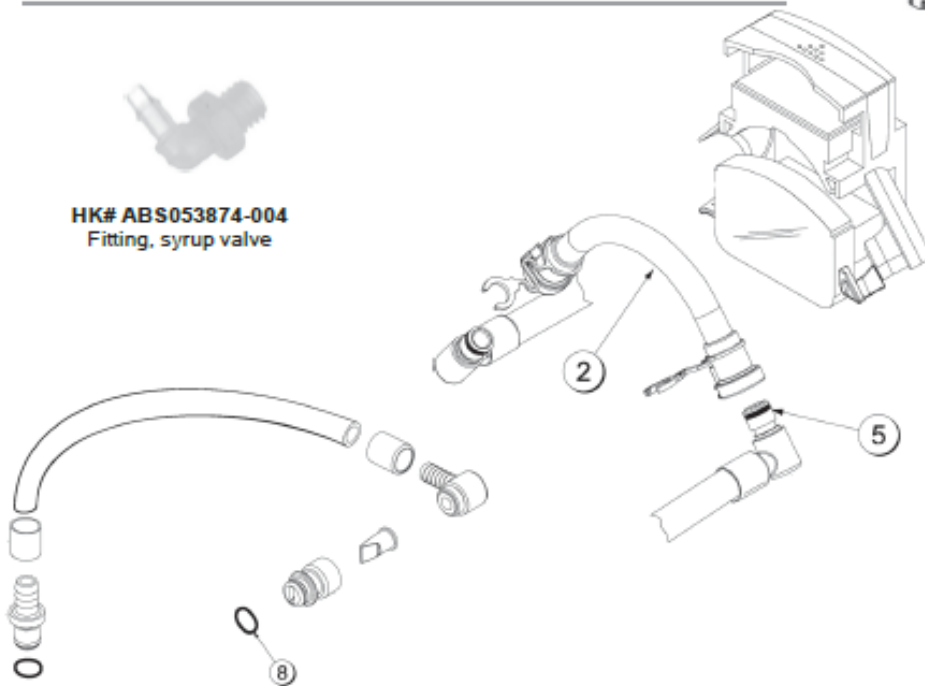
Syrup Line Assembly - Triple Thick Shake & Thin Viscosity Syrup

Item	HK#	Description
8	ABS053890-1	O-Ring, 11 mm green (syrup hole plug)

HK# ABS058317
Screw, 4-40x3/8
socket cap



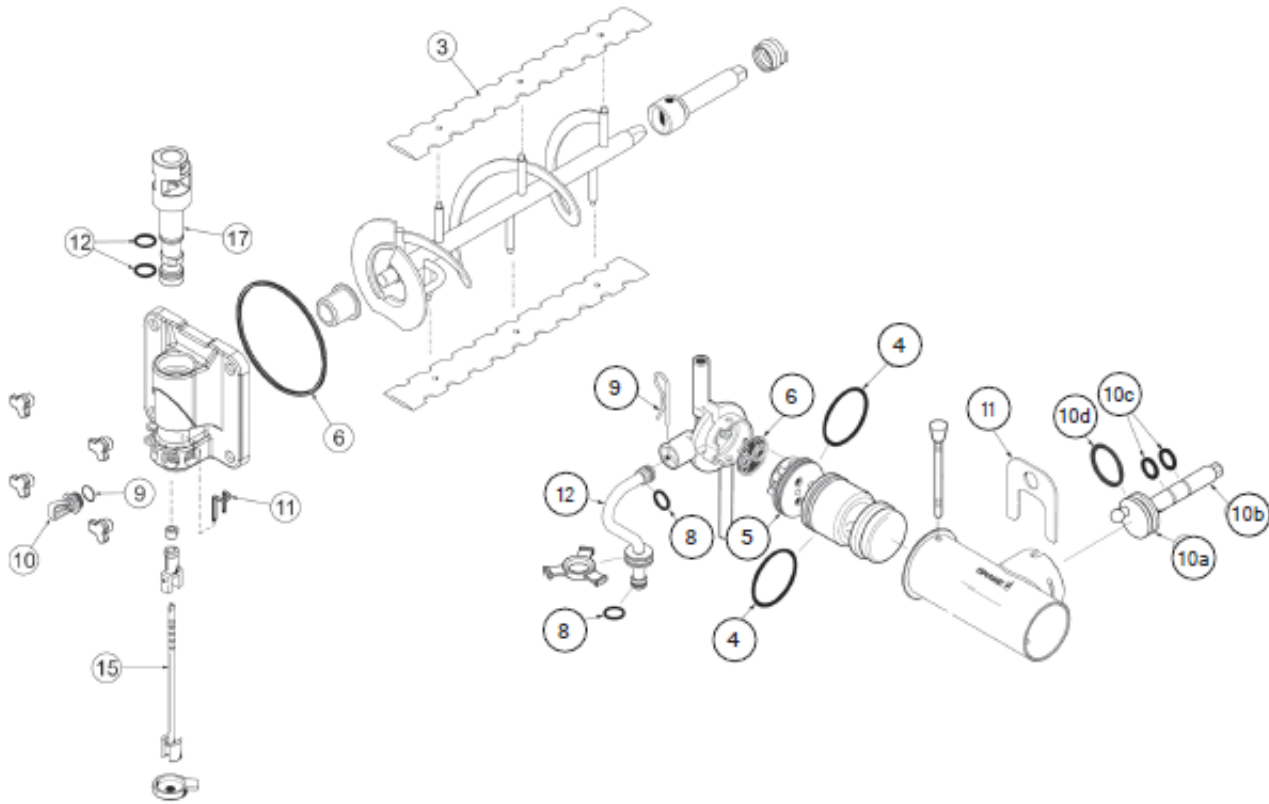
HK# ABS053874-004
Fitting, syrup valve





SHAKE/SUNDAE MACHINE

C602



Shake Side Assembly

Item	HK#	Description
3	ABS041103	Blade, scraper, 16"
6	ABS033493	O-Ring 6", freezer door
9	ABS053890-1	O-Ring, syrup port
10	ABS053867	Plug, syrup port
11	ABS054554	Retainer, syrup valve
12	ABS020571-1	O-Ring - 1 1/16 OD x .139 W (100/pk.)
15	ABSX59331	Blade A.-spinner
*		Aluminum-HT

*Not Shown

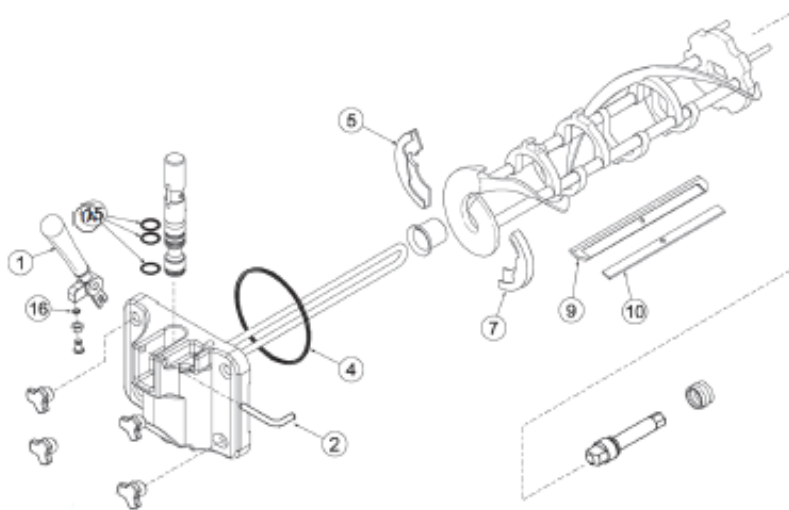
Pump for Shake Side & Soft Serve Side

Item	HK#	Description
4	ABS020051	O-Ring 2-1/16" OD, red
5	ABS056873-10	Cap, valve
6	ABS053527	Gasket, simplified pump
8	ABS016132	O-Ring, 11/16 OD, red
9	ABS044731	Pin, cotter
10a	ABS039235	Crank, drive
10b	ABS041948	Shaft, drive
10c	ABS048632	O-Ring, drive shaft
10d	ABS008904	O-Ring 1 3/4
11	ABS044641	Clip, mix pump retainer
12	ABSX55973 ABSX55974	Tube A.-feed - hopper shake Tube A.-feed hopper - soft serve



SHAKE/SUNDAE MACHINE

C602



Soft Serve Assembly		
Item	HK#	Description
1	ABSX56421-1	Handle assy. - draw
1A	ABS056248	Handle only
2	ABSX55450	Retaining pin
4	ABS048926	Gasket (freezer door)
5	ABSX50350	Shoe, front helix, rear
7	ABSX50350	Shoe, front helix, front
9	ABS046235	Blade, scraper
10	ABS046236	Clip, scraper blade
15	ABS014402	O-Ring (draw valve)
16	ABS015872	O-Ring
*	ABSX55820	Valve, draw
*	ABSX535331-9	Assembly, freezer door (sundae side)

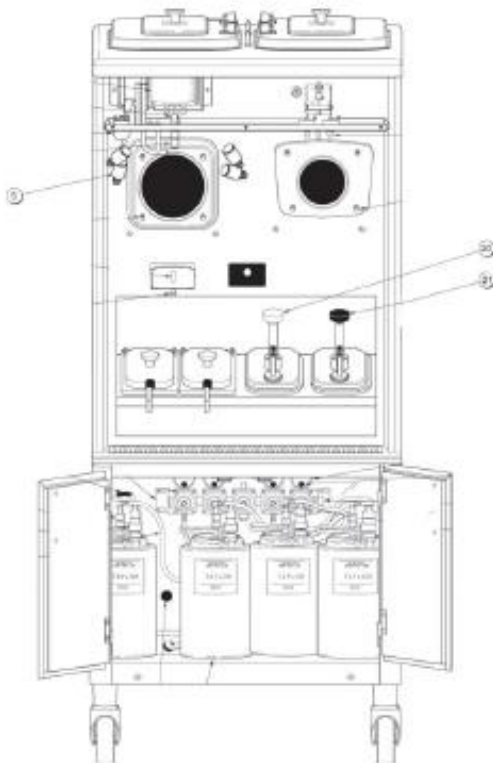
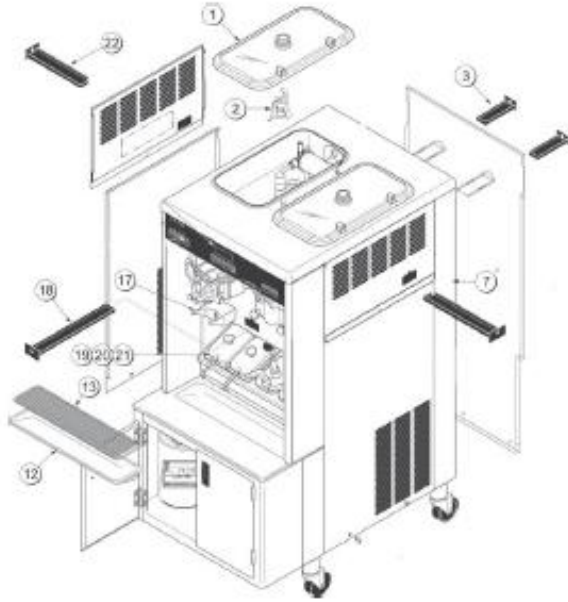
*Not shown





SHAKE/SUNDAE MACHINE

8634-HT



Exploded View

Item	HK#	Description
1	ABSX65368	Cover, hopper gray
2	ABSX44797	Agitator assembly
3	ABS048204	Pan, drip, mix pump
12	ABS028542	Drip tray, front
13	ABS028548	Splash shield
17	ABS038985	Cup holder, shake
18	ABS035034	Drip pan, rear
19	ABS036573	Plastic syrup jar
19a	ABS036574	S/S syrup jar
20	ABS042706	Syrup jar lid
21	ABS033637-1	Ladle, 1 fl. oz. (30 ml.)
22	ABS051642	Pan, drip 13 3/4 long

Front View

Item	HK#	Description
5	X54581-BLU	Line A., syrup TTS, blue
	X54581-BRN	Line A., syrup TTS, brown
	X54581-RED	Line A., syrup TTS, red
	X54581-WHT	Line A., syrup TTS, white
20	X53800-TAN	Topping pump (caramel)
21	X53800-BRN	Topping pump (chocolate)

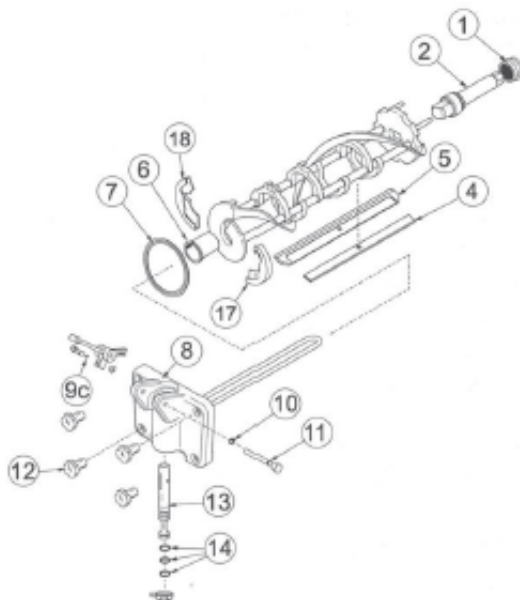
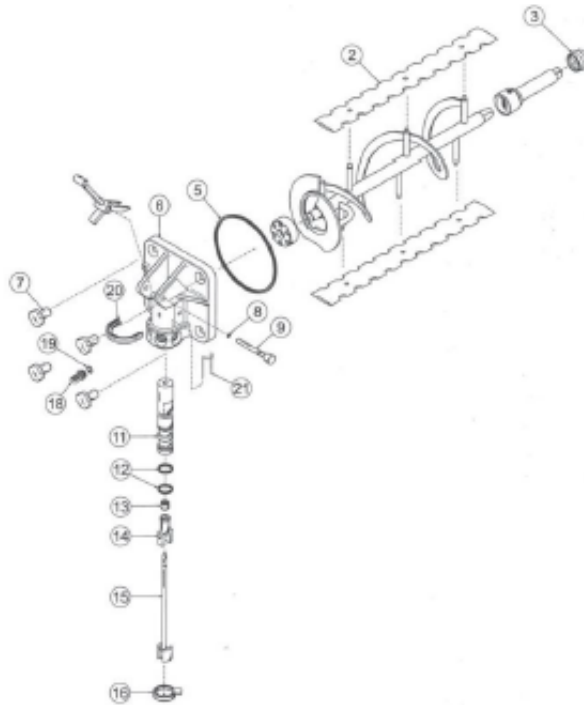


SHAKE/SUNDAE MACHINE 8634-HT



Beater Door Assembly - Shake Side

Item	HK#	Description
2	ABS041103	Scraper blade
3	ABS032560	Drive shaft seal
5	ABS033493	O-Ring, freezer door
6	ABSX56517	Door assembly, shake
7	ABS034034	Handscrew (stud nut), shake
8	ABS016272	O-Ring, pivot pin (50/pk.)
9	ABSX22820	Pivot pin A.
11	ABSX42210	Draw valve assembly
12	ABS020571-1	O-Ring, draw valve (100/pk.)
13	ABS036053	Seal, spinner shaft
14	ABS034054	Driven spinner
15	ABSX41895	Blade A., spinner
16	ABS033107	Restrictor cap
18	ABS053867	Plug, syrup port
19	ABS053890	O-Ring, syrup port plug
20	ABS054690	Retainer, valve pin
21	ABS054599	Retainer, syrup valve



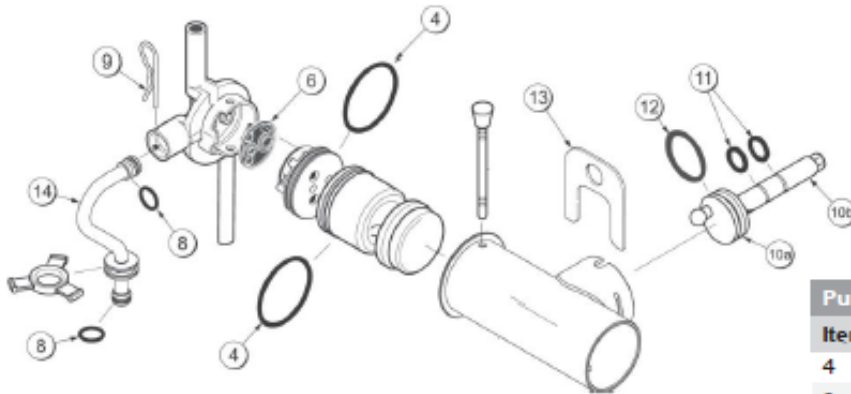
Beater Door Assembly - Soft Serve Side

Item	HK#	Description
1	ABS032560	Seal, drive shaft
2	ABS032564	Drive shaft
4	ABS046236	Clip, scrapper blade 7"
5	ABS046235	Scraper blade (soft serve)
6	ABSX50350	Front bearing
7	ABS048926	Gasket, door
8	ABSX51531-9	Freezer door assembly
9c	ABS015872	O-Ring, adj. screw
10	ABS016272	O-Ring, pivot pin (50/pk.)
11	ABSX22820	Pivot Pin A.
12	ABS021508	Handscrew (stud nut)
13	ABSX33582	Draw valve A.
14	ABS014402	O-Ring, draw valve
15	ABS014218	Design cap
17	ABSX50350	Shoe, front helix, front
18	ABSX50350	Shoe, front helix, rear



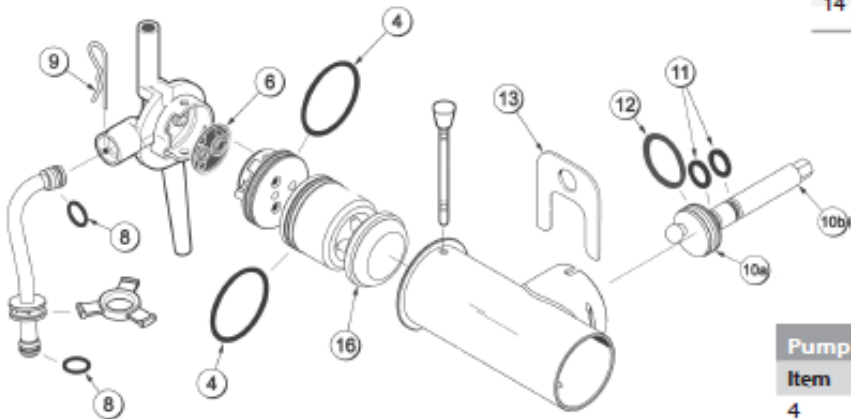
SHAKE/SUNDAE MACHINE

8634-HT



Pump - Mix Simplified - Shake

Item	HK#	Description
4	ABS020051	O-Ring 2 1/8" OD, red
6	ABS053527	Gasket, simplified pump
8	ABS016132	O-Ring, 11/16 OD, red
9	ABS044731	Pin, cotter
10a	ABS039235	Crank, drive
10b	ABS041948	Shaft, drive
11	ABS048632	O-Ring, drive shaft
12	ABS008904	O-Ring 1 3/4
13	ABS044641	Clip, mix pump retainer
14	ABSX56522	Tube A., feed, hopper shake



Pump - Mix Simplified - Soft Serve

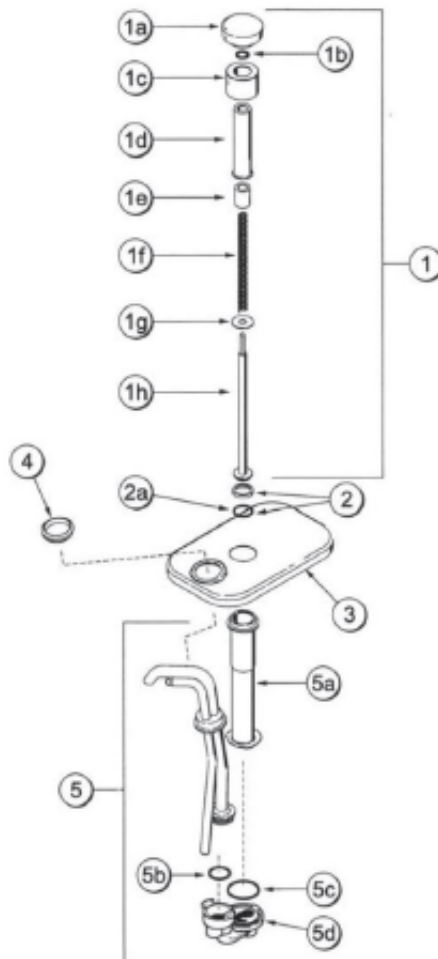
Item	HK#	Description
4	ABS020051	O-Ring, 2 1/8" OD, red
6	ABS053527	Gasket, simplified pump valve
8	ABS016132	O-Ring, 11/16 OD, red
9	ABS044731	Pin, cotter
10a	ABS039235	Crank, drive
10b	ABS041948	Shaft, drive
11	ABS048632	O-Ring, drive shaft
12	ABS008904	O-Ring 1 3/4
13	ABS044641	Clip, mix pump retainer





SYRUP PUMP

X53800-BRN/TAN (ABSX53800-BRN, ABSX53800TAN)



HK# ABSX53800-BRN/TAN		
Item	HK#	Description
1	ABSX36576-TAN ABSX36576-BRN	Plunger assembly
1a	ABS032762-TAN ABS32762-BRN	Knob, plunger
1b	ABS016369	O-Ring, knob
1c	ABS036577	Nut, plunger
1d	ABS032757	Tube, plunger
1e	ABS82018	Insert, plunger
1f	ABS032761	Spring, plunger, syrup pump
1g	ABS032760	Washer, nylon
1h	ABS036578	Plunger
2	ABS83003	Seal assembly
2a	ABS019330	O-Ring, plunger
3	ABS036579	Lid, pump
4	ABS039680	Nut, spout
5	ABSX53798-SER	Pump A., syrup heated
5a	ABS051065	Cylinder, syrup pump
5b	ABS048148-SER	O-Ring, outlet tube
5c	ABS048149-SER	O-Ring, plunger tube
5d	ABS054084	Valve body kit
*	SER82951	Syrup pump
*	SER82023	Knob, black
*	SER82023-300	Knob, caramel
*	SER82558	Jar, plastic
*	ABS036574	Jar, s/s, 7"D

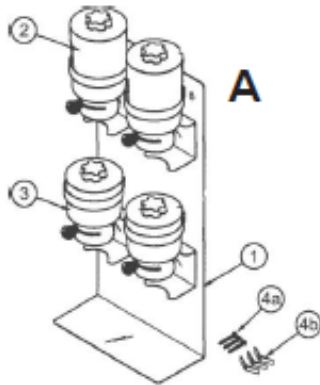
*Not shown, OEM - Server Products





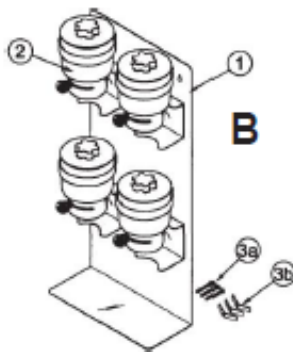
CANDY DISPENSERS

Wall Mount



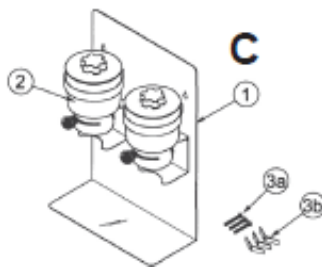
HK# ABSX52037-1
A - Dispenser Assembly 2-Large, 2-Small Wall Mount

Item	HK#	Description	Kit Qty
1	ABSX52035	Bracket assembly, wall mount	1
2	ABSX53638-1	Candy dispensing canister, large	2
3	ABSX53638-2	Candy dispensing canister, small	2
4a	ABS051443	Screw, 10-24 x 2 s/s	3
4b	ABS051444	Anchor, toggle wing, zinc plated	3



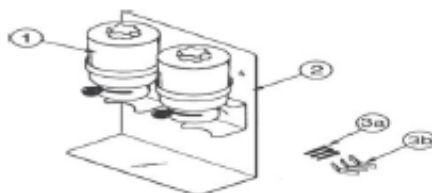
HK# ABSX52037-2
B - Dispenser Assembly 4-Small Wall Mount

Item	HK#	Description	Kit Qty
1	ABSX52035	Bracket assembly, wall mount	1
2	ABSX53638-2	Candy dispensing canister, small	4
3a	ABS051443	Screw, 10-24 x 2 s/s	3
3b	ABS051444	Anchor, toggle wing, zinc plated	3



HK# ABSX52078-1
C - Dispenser Assembly 2-Small Wall Mount

Item	HK#	Description	Kit Qty
1	ABSX51414	Bracket assembly, wall/counter mount	1
2	ABSX53638-2	Candy dispensing canister, small	2
3a	ABS051443	Screw, 10-24 x 2 s/s	3
3b	ABS051444	Anchor, toggle wing, zinc plated	3



HK# ABSX52078-2
D - Dispenser Assembly 2-Large Wall Mount

Item	HK#	Description	Kit Qty
1	ABSX51414	Bracket assembly, wall/counter mount	1
2	ABSX53638-1	Candy dispensing canister, large	2
3a	ABS051443	Screw, 10-24 x 2 s/s	3
3b	ABS051444	Anchor, toggle wing, zinc plated	3

CANDY DISPENSERS

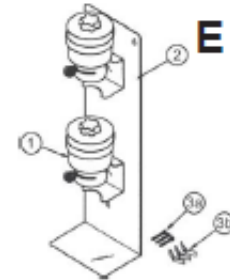
Wall Mount



HK# ABSX53407-1

E - Dispenser Assembly 2-Small Vertical Wall Mount

Item	HK#	Description	Kit Qty
1	ABSX53638-2	Candy Dispensing Canister, Small	2
2	ABSX53460	Kit Assembly, Vertical Wall Mount	1
3a	ABS051443	Screw 10-24 x 2 Stainless Steel	3
3b	ABS051444	Anchor-Toggle Wing Zinc Plated	3

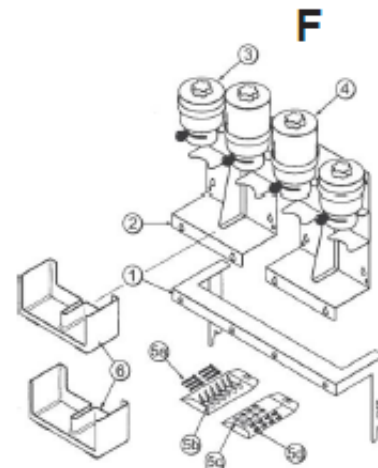


HOOD MOUNT SHAKE + SUNDAE ASSEMBLIES

HK# ABSX52566-1

F - Dispenser Assembly 2-Large, 2-Small Hood Mount

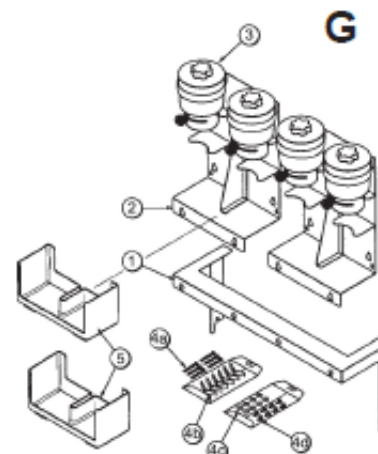
Item	HK#	Description	Kit Qty
1	ABSX52559	Bracket assembly, hood mount	1
2	ABSX52556	Bracket assembly, splitback	1
3	ABSX53638-1	Candy dispensing canister, large	2
4	ABSX53638-2	Candy dispensing canister, small	2
5a	ABS051443	Screw, 10-24 x 2 s/s	6
5b	ABS051444	Anchor, toggle wing, zinc plated	6
5c	ABS046551	Collar, holding	8
5d	ABS001251	Screw, 10-32 x 1/4 oval head	8
6	ABSX53773	Tray assembly, hood mount	2



HK# ABSX52566-2

G - Dispenser Assembly 4-Small Hood Mount

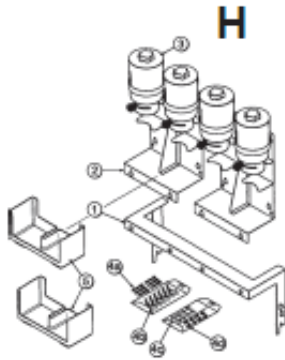
Item	HK#	Description	Kit Qty
1	ABSX52559	Bracket assembly, hood mount	1
2	ABSX52556	Bracket assembly, splitback	2
3	ABSX53638-2	Candy dispensing canister, small	4
4a	ABS051443	Screw, 10-24 x 2 s/s	6
4b	ABS051444	Anchor, toggle wing, zinc plated	6
4c	ABS046551	Collar, holding	8
4d	ABS001251	Screw 10-32 x 1/4 oval head	8
5	ABSX53773	Tray assembly, hood mount	2





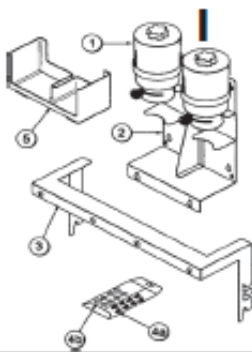
CANDY DISPENSERS

Hood Mount



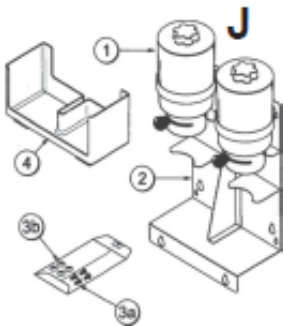
HK# ABSX52566-3
H - Dispenser Assembly 4-Large Hood Mount

Item	HK#	Description	Kit Qty
1	ABSX52559	Bracket assembly, hood mount	1
2	ABSX52556	Bracket assembly, splitback	1
3	ABSX53638-1	Candy dispensing canister, large	4
4a	ABS051443	Screw, 10-24 x 2 s/s	6
4b	ABS051444	Anchor, toggle wing, zinc plated	1
4c	ABS046551	Collar, holding	8
4d	ABS001251	Screw, 10-32 x 1/2 oval head	8
5	ABSX53773	Tray assembly, hood mount	2



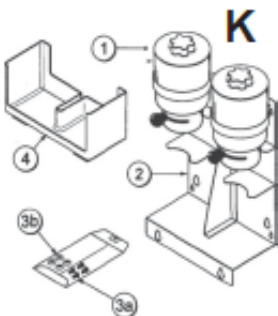
HK# ABSX52566-5
I - Dispenser Assembly 2-Large Hood Mount

Item	HK#	Description	Kit Qty
1	ABSX53638-1	Candy dispensing canister, large	2
2	ABSX52556	Bracket assembly, splitback	1
3	ABSX52559	Bracket assembly, hood mount	0
4a	ABS001251	Screw, 10-32 x 1/2 Oval Head	8
4b	ABS046551	Collar, holding	8
5	ABSX53773	Tray assembly, hood mount	1



HK# ABS52566-6
J - Dispenser Assembly 2-Large Hood Mount

Item	HK#	Description	Kit Qty
1	ABSX53638-1	Candy dispensing canister, large	2
2	ABSX52556	Bracket assembly, splitback	1
3a	ABS001251	Screw, 10-32 x 1/2 oval head	4
3b	ABS046551	Collar, holding	4
4	ABSX53773	Tray assembly, hood mount	1



HK# ABSX52566-7
K - Dispenser Assembly 2-Small Hood Mount

Item	HK#	Description	Kit Qty
1	ABSX53638-2	Candy dispensing canister, small	2
2	ABSX52556	Bracket assembly, splitback	1
3a	ABS001251	Screw, 10-32 x 1/2 oval head	4
3b	ABS046551	Collar, holding	4
4	ABSX53773	Tray assembly, hood mount	1



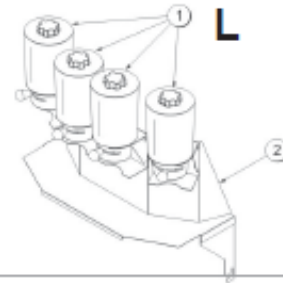
CANDY DISPENSERS

Hood Mount McFlurry Kits for Taylor Model 602



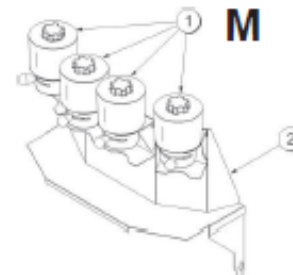
HK# ABSX59442-SER1
L - Dispenser Assembly 4-Large Hood Mount

Item	HK#	Description	Kit Qty
1	ABSX53638-1	Candy dispensing canister, large	4
2	ABSX59443	Bracket assembly	1



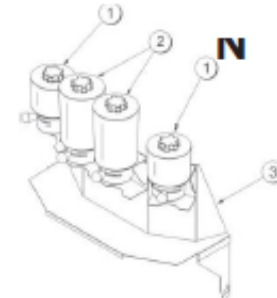
HK# ABSX59442-SER2
M - Dispenser Assembly 4-Small Hood Mount

Item	HK#	Description	Kit Qty
1	ABSX53638-2	Candy dispensing canister, small	4
2	ABSX59443	Bracket assembly	1



HK# ABSX59442-SER3
N - Dispenser Assembly 2-Large, 2-Small Hood Mount

Item	HK#	Description	Kit Qty
1	ABSX53638-1	Candy dispensing canister, large	2
2	ABSX53638-2	Candy dispensing canister, small	2
3	ABSX59443	Bracket assembly	1



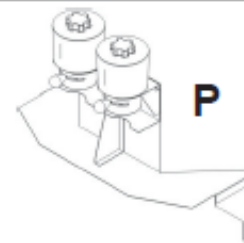
HK# ABSX62430SER1
O - Dispenser Assembly 2-Large Hood Mount

Item	HK#	Description	Kit Qty
1	ABSX53638-1	Candy dispensing canister, large	2
2	ABSX62386	Bracket assembly	1



HK# ABSX62430SER2
P - Dispenser Assembly 2-Small Hood Mount

Item	HK#	Description	Kit Qty
1	ABSX53638-2	Candy dispensing canister, small	2
2	ABSX62386	Bracket assembly	1





CANDY DISPENSERS

X53638-1 (ABSX53638-1), X53638-2 (ABSX53638-2)



Candy Dispenser Large (Holds approx. 2½ lbs of candy)

Item	HK#	Description
1	ABSX53638-1	Large candy dispenser assy.
1A	ABS052032-1	Cover for large dispenser canister
1B	ABSX53530-1	Shaft for large dispenser canister
1C	ABS053581	Insert candy dispenser canister
1D	ABSX52027	Puck for dispenser
1E	ABS052033-1	Large canister only
1F	ABSX51564	Knob for candy dispenser

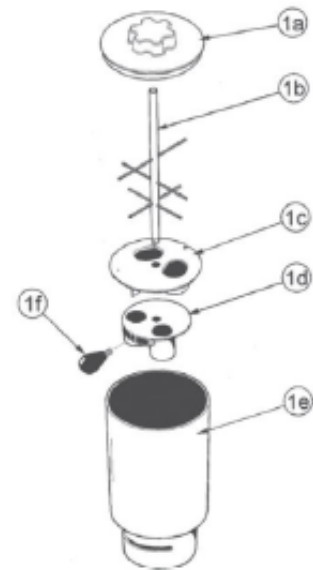
HK# ABSX59050-1

Kit, puck & knob

Includes:

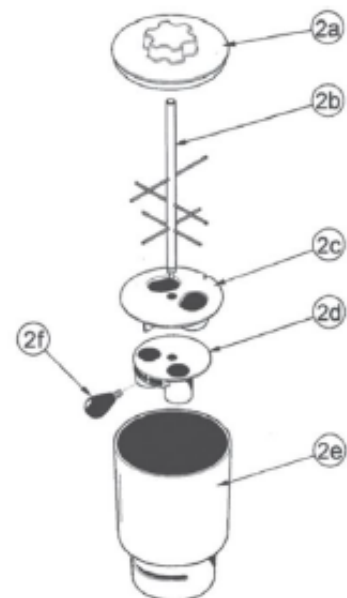
ABSX51564 (knob for candy dispenser)

ABSX52027 (puck a candy dispenser)



Candy Dispenser Small (Holds approx. 1½ lbs of candy)

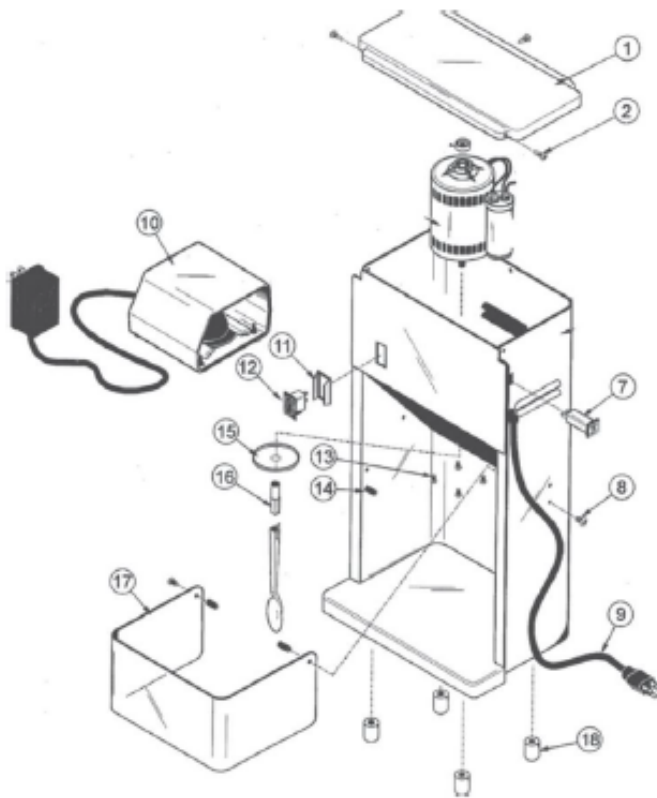
Item	HK#	Description
2	ABSX53638-2	Small candy dispenser assy.
2A	ABS052032-2	Cover for small dispenser canister
2B	ABSX53530-2	Shaft for small dispenser canisters
2C	ABS053581	Insert for candy dispenser canister
2D	ABSX52027	Puck for dispenser
2E	ABS052033-2	Small canister only
2F	ABSX51564	Knob for candy dispenser



MCFLURRY COUNTERTOP MIXER

BC10

 TAYLOR®



HK# BC10

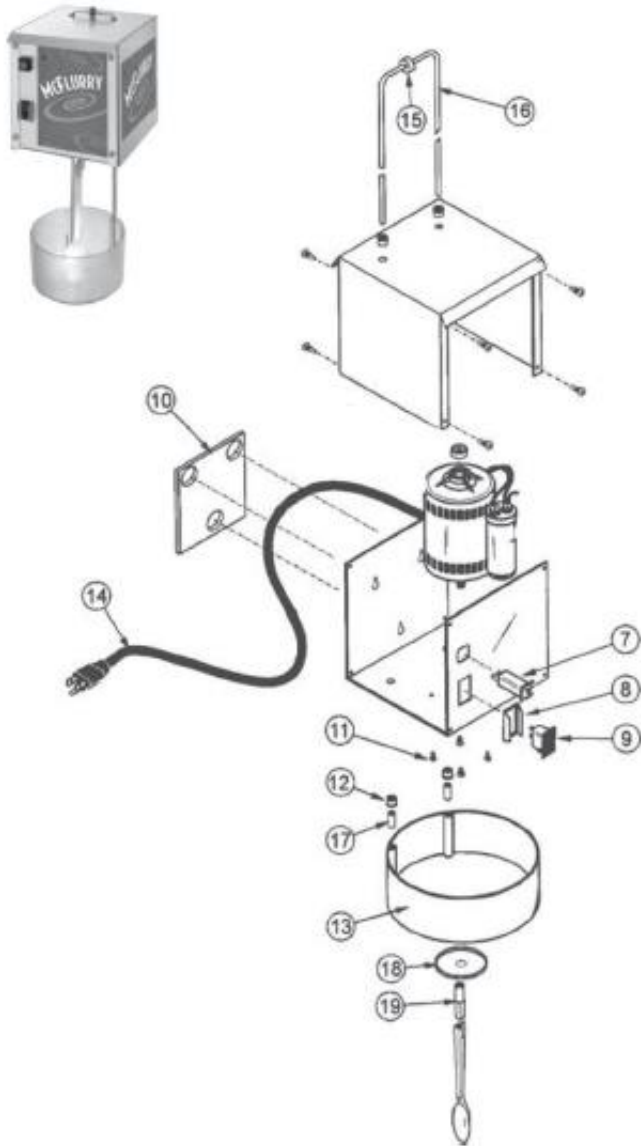
Item	HK#	Description
1	ABS051484	Cap mixer
2	ABS051487	Screw, mixer retainer cap
7	ABS051490	Circuit breaker, mixer 3AMP 120V
8	ABS051507	Screw, mounting pivot pin
9	ABS051491	Power cord & plug
10	ABS052451	Pedal, foot 115V (plug included)
*	ABS052451-2	Controller foot pedal 115V plug
11	ABS051505	Guard, switch
12	ABS051488	Switch, rocker
13	ABS051493	Screw, mixer motor MT
14	ABS051507	Pin pivot, mixer
15	ABS051494	Mixer slinger
16	ABS051436	Shaft, driven spinner
17	ABS051499	Guard, mixer splash
18	ABS051500	Foot A, plugged
*	ABS052384	Decal for mixer "McFlurry"
*	ABS052451-2	Adapter for foot pedal

*Not shown



MCFLURRY WALL MOUNT MIXER

BW11



HK# BW11

Item	HK#	Description
7	ABS051490	Circuit breaker, 3 Amp - 120V
8	ABS051505	Switch guard
9	ABS051488	Rocker switch
10	ABS051521	Pad vibration dampener
11	ABS051493	Screw, mixer motor mounting
12	ABS051522	Bushing, mixer travel rod
13	ABS051518	Splash guard for mixer cup
14	ABS051491	Power cord & plug
15	ABS051514	Bumper, travel rod
16	ABS051513	Travel rod for mixer
17	ABS051523	Tube spacer for 12 oz. Cup
18	ABS051494	Slinger mixer
19	ABS051436	Spinner shaft
*	ABS052451	Foot pedal for mixer 115v

*Not shown





REFRIGERATOR/FREEZER PARTS + ACCESSORIES



Item/Description	G100/G110 A SEC REF	G120 XX 1 SEC FZR	G200/G210 A SEC REF
Doors			
Full Height Glass Door	200-60954-01	call factory	all models
Half Height Glass Door	200-60953-00	call factory	all models
Half Height Glass Door	200-60953-01	call factory	all models
Gaskets			
Full Height Door	SVC-60256-00	all models	all models
Half Height Door	SVC-60257-00	all models	all models
Note: Same gaskets on both solid and glass doors			
Lock			
Lockkeeper	358-60707-00	all models	all models
Lock Cylinder	358-13186-42	all models	all models
Lock Cylinder Assy with Key	SER-13186-42	all models	all models
Shelves/Tray Slides			
Epoxy Coated Shelf (with Pins & Clips)	G1ACC-SHLF5	G1ACC-SHLF5	LFT SEC: G23ACC-SHLF9 RHT SEC: G23ACC-SHLF11
Shelf Pin	358-24759-02	all models	all models
1 Epoxy Coated Shelves (with Pins)	G1ACC-SHLF3	G1ACC-SHLF3	LFT SEC: G23ACC-SHLF1 RHT SEC: G23ACC-SHLF5
3 Epoxy Coated Shelves (with Pilasters & Clips)	G1ACC-SHLF2	G1ACC-SHLF2	LFT SEC: G23ACC-SHLF2 RHT SEC: G23ACC-SHLF6
3 Plated Shelves (With Pins)	G1ACC-SHLF3	G1ACC-SHLF3	LFT SEC: G23ACC-SHLF3 RHT SEC: G23ACC-SHLF7
3 Plated Shelves (with Pilasters & Clips)	G1ACC-SHLF4	G1ACC-SHLF4	LFT SEC: G23ACC-SHLF4 RHT SEC: G23ACC-SHLF8
#1 Tray Slides - 8 Pairs (with Pilasters)	G1ACC-TK1	G1ACC-TK1	LFT/RHT SEC: G23ACC-TK1LR
#4 Tray Slides - 2 Pair (with Pilasters)	G1ACC-TK2	G1ACC-TK2	LFT/RHT SEC: G23ACC-TK2LR
Universal Tray Slides - 7 Pairs (with Pilasters)	G1ACC-TK4	G1ACC-TK4	LFT/RHT SEC: G23ACC-TK4LR
Legs/Casters			
Legs 6" high (set of 4)	LK1	all models	all models
Louver Assy	SK-500-60827-00	SK-500-60827-00	SK-500-60827-02
Sensors			
Cabinet Sensor	334-60083-01	334-60083-01	334-60083-02
Coil Sensor	334-60084-01	334-60084-01	334-60084-02
Light			
Light Bulb - LED	358-60691-00	all models	all models
Evaporator			
Expansion Valve	325-60080-37	325-60080-25	325-60080-37
Evaporator Motor Assy (Sheetmetal Box and Fan Assy)	SK-600-61081-00	SK-600-61081-00	SK-600-61081-00
Evaporator Motor Assy (Motor And Blade Assy)	338-60061-00	all models	all models
Note: Fan blade and motor bracket are no longer needed			
Exterior Light Switch	337-20265-00	not available	337-20265-00
Hot Gas Loop	315-60307-00	315-60307-00	315-60307-00
Relay	call factory	call factory	call factory
Start Capacitor	call factory	call factory	call factory





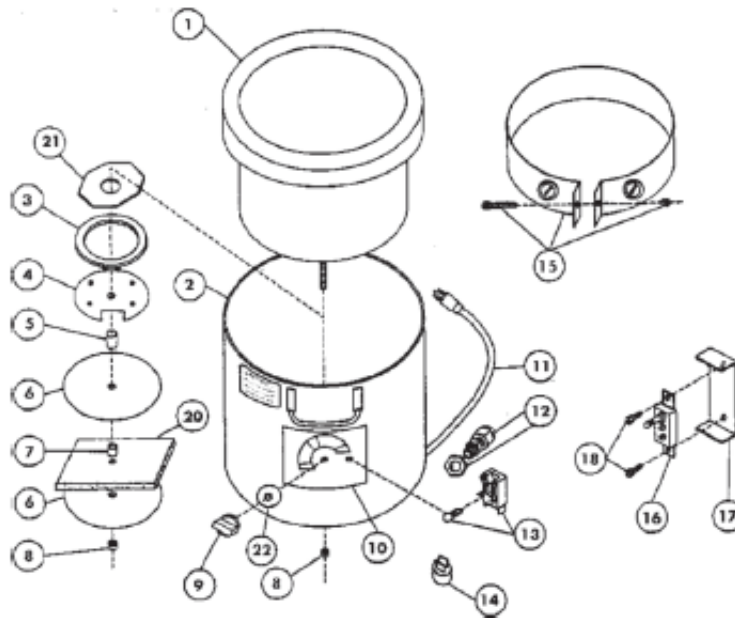
REFRIGERATOR/FREEZER PARTS + ACCESSORIES

G220XX 2 SEC FZR	G300/G320 3 SEC REF	G313XX/G310XX 3 SEC FZR
not available		not available
not available		not available
not available		not available
all models	all models	all models
all models	all models	all models
all models	all models	all models
all models	all models	all models
all models	all models	all models
LFT SEC: G23ACC-SHLF9 RHT SEC: G23ACC-SHLF11	LFT SEC: G23ACC-SHLF9 CEN SEC: G3ACC-SHLF15 RHT SEC: G23ACC-SHLF11	LFT SEC: G23ACC-SHLF9 CEN SEC: G3ACC-SHLF15 RHT SEC: G23ACC-SHLF11
all models	all models	all models
LFT SEC: G23ACC-SHLF1 RHT SEC: G23ACC-SHLF5	LFT SEC: G23ACC-SHLF1 CEN SEC: G3ACC-SHLF5 RHT SEC: G23ACC-SHLF5	LFT SEC: G23ACC-SHLF1 CEN SEC: G3ACC-SHLF5 RHT SEC: G23ACC-SHLF5
LFT SEC: G23ACC-SHLF2 RHT SEC: G23ACC-SHLF6	LFT SEC: G23ACC-SHLF2 CEN SEC: G3ACC-SHLF6 RHT SEC: G23ACC-SHLF6	LFT SEC: G23ACC-SHLF2 CEN SEC: G3ACC-SHLF6 RHT SEC: G23ACC-SHLF6
LFT SEC: G23ACC-SHLF3 RHT SEC: G23ACC-SHLF7	LFT SEC: G23ACC-SHLF3 CEN SEC: G3ACC-SHLF7 RHT SEC: G23ACC-SHLF7	LFT SEC: G23ACC-SHLF3 CEN SEC: G3ACC-SHLF7 RHT SEC: G23ACC-SHLF7
LFT SEC: G23ACC-SHLF4 RHT SEC: G23ACC-SHLF8	LFT SEC: G23ACC-SHLF4 CEN SEC: G3ACC-SHLF8 RHT SEC: G23ACC-SHLF8	LFT SEC: G23ACC-SHLF4 CEN SEC: G3ACC-SHLF8 RHT SEC: G23ACC-SHLF8
LFT/RHT SEC: G23ACC-TK1LR	LFT/RHT SEC: G23ACC-TK1LR CEN SEC: G3ACC-TK1C	LFT/RHT SEC: G23ACC-TK1LR CEN SEC: G3ACC-TK1C
LFT/RHT SEC: G23ACC-TK2LR	LFT/RHT SEC: G23ACC-TK2LR CEN SEC: G3ACC-TK2C	LFT/RHT SEC: G23ACC-TK2LR CEN SEC: G3ACC-TK2C
LFT/RHT SEC: G23ACC-TK4LR	LFT/RHT SEC: G23ACC-TK4LR CEN SEC: G3ACC-TK4C	LFT/RHT SEC: G23ACC-TK4LR CEN SEC: G3ACC-TK4C
all models	all models	all models
SK-500-60827-02	SK-500-60827-03	SK-500-60827-03
334-60083-02	334-60083-03	G313: 334-60083-03 G310: 334-60405-02
334-60084-02	334-60084-03	G313: 334-60084-03 G310: 334-60406-02
all models	all models	all models
325-60080-26	325-60080-38	325-60080-34
SK-600-61081-01	SK-600-61081-01	v
all models	all models	all models
not available	337-20265-00	not available
315-60310-00	G300: 315-60310-00 G320: 315-10041-02	315-10041-02
cell factory	cell factory	
cell factory	cell factory	



SOUP COOKER

21852 (WEL21852, WEL21853)



Soup Cooker

Item	HK#	Description
1	WELJ5-47489	Inner shell subassembly
2	WELNLA	Outer shell with handles
4	WEL68692	Retainer, heater element
5	WEL67488	Support Tube, 7/8" long
6	WEL67492	Disc, 5-1/8" Diameter
8	WEL51253	Hex nut, 1/4 - 20
9	WEL65644	Control knob
10	WEL67493	Label
11	WEL6407-15	Cord and cap assembly
12	WEL68689	Cord grip, liquid tight
13	WEL2J-47494	Pilot light
14	WEL2T-47499	High limit thermostat
15	WEL2N-47498	Heater, 500 with 120v band with screw & nut

*Not shown

Soup Cooker

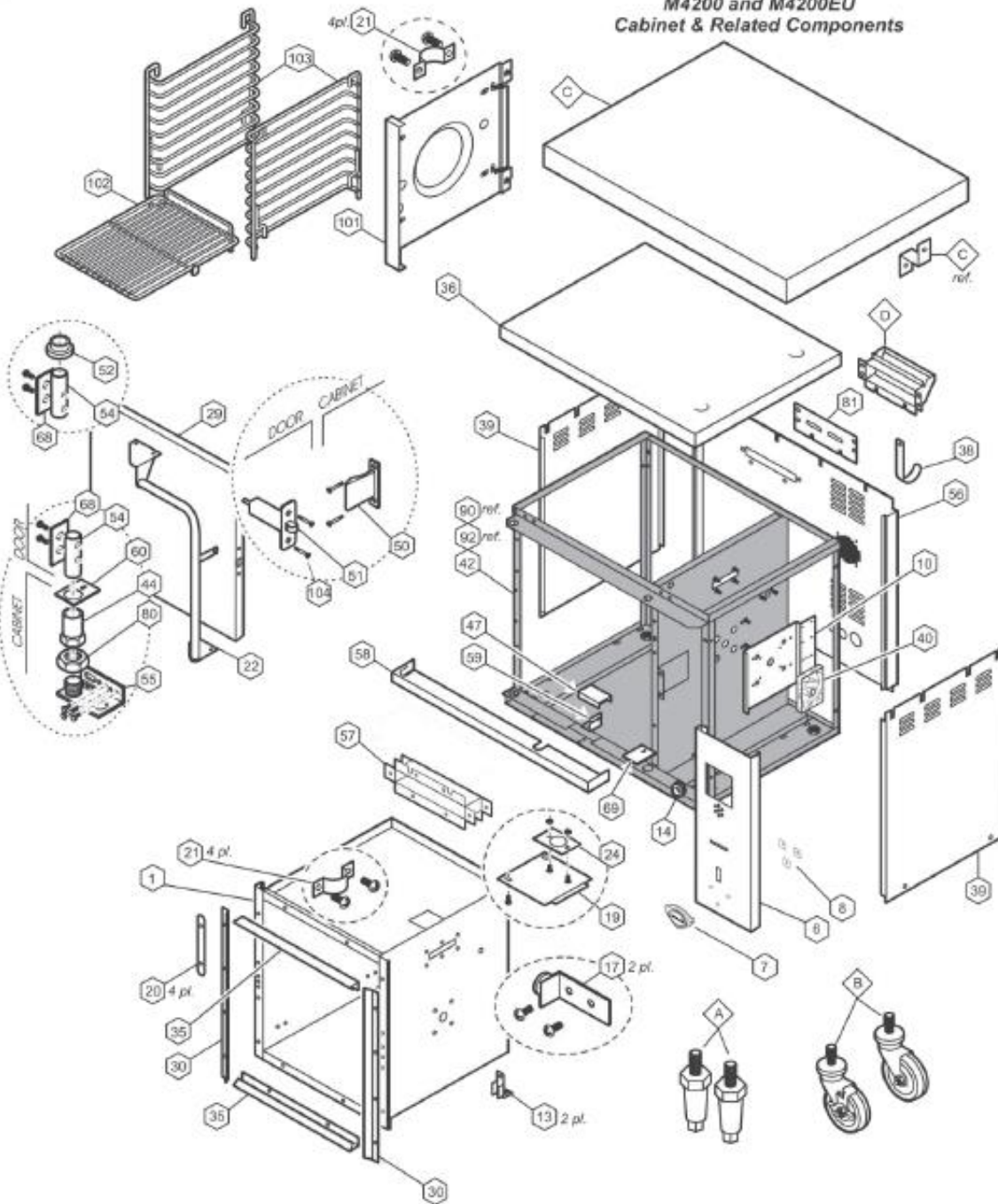
Item	HK#	Description
16	WEL2T-47496	Control thermostat
17	WEL67490	Thermostat bracket
18	WEL66145	Screw #6 - 32 x 3/16" 10/pk.
NS	WEL67495	Wire set for models 6407/6411/6423
20	WEL2H-31882	Insulation, bottom & wrap around for inner shell
21	WEL68693	Heat transfer plat
22	WEL68688	Thermostat shaft seal 10/pk.
23	WEL68687	Cooking instruction label
*	WEL68718	Element kit (retrokit)
*	WEL15036886	Soup pouch opener

*Not shown



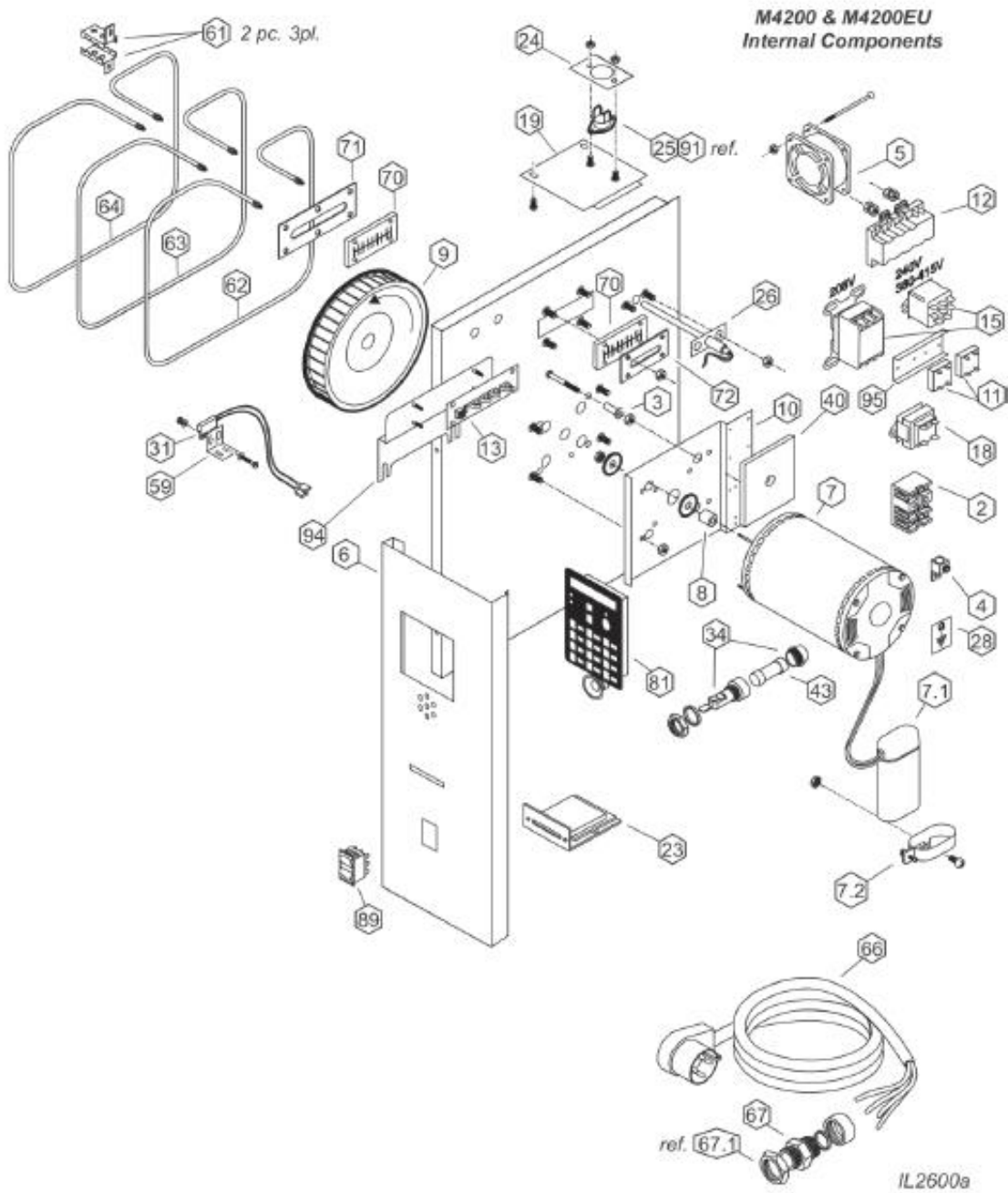
CONVECTION OVEN M4200-4 (5F-M42004-2083)

M4200 and M4200EU
Cabinet & Related Components



CONVECTION OVEN

M4200-4





CONVECTION OVEN M4200-4

HK# 5F-M42004-2083 Convection Oven			
Item	WELM4200 (EU)	Description	Qty.
1		Assy, cavity	1
6	WELF6-Z15736	Panel, control	1
7	WEL2M-306719	Logo Wells Diecast shield	1
8	WEL2C-31038	Retainer clip	3
10		Bracket, motor mount	1
13		Bracket, cavity support	2
14	WEL2K-31040	Grommet, 1/8" O.D.	2
17		Assy, baffle support	2
19	WELF6-304608 WELDD-48377	Mount, temp sensors mount, temp sensors, earlier design	1
20		Cover, door gasket	4
21	WELF6-4889	Clip, rack support	8
22	WEL2R-305612	Handle assembly	1
24		Bracket, hi-limit thermo	1
29	WELF6-304652	Assy, door complete	1
30	WELF6-46313	Gasket, door, side	2
35	WELF6-46314	Gasket, door, top/bot	2
36		Assy, oven top	1
38		Hanger, cord	1
39		Panel, exterior side	2
40		Insulation, motor mounting	1
42		Assy, frame	1
44	WEL2A-43900	Sleeve, door hinge	1
47	WELF6-45647	Guard, prox. switch	1
50	WEL2C-305616	Door striker	1
51	WEL2C-305615	Door latch	1
52	WEL2K-305619	Bushing, top door hinge	1

*Not shown

HK# 5F-M42004-2083 Convection Oven			
Item	WELM4200 (EU)	Description	Qty.
54	WEL2A-305610	Pin, hinge, door top & bottom	2
55	WELF6-43896	Assy, bot door hinge	1
56		Panel, rear	1
57		Assy, vent duct	1
58	WELF6-43804	Trim, lower front	1
59	WELF6-43787	Bracket, prox switch	1
60	WELF6-43899	Plate, door pivot	1
68	WEL2A-305610	Plate, door hinge pin	2
69	WELF6-43899	Plate, door pivot hole	1
80	WEL2C-44363	Nut, hex 1/4-10 UNC	1
81	WELF6-305523	Biscuit baking adapter	1
90*		Wire set	1
92*		Tie, wire, standoff	2
101	WELF6-44504	Baffle, oven	1
102	WEL2B-50200-34	Rack, product	3
103	WELWS-21375	Support, rack, 2/pk.	2
104	WEL2C-35492	Screw 8-32x1/4 PH FL HD	2
cc	WEL2C-37943	Clip, tinnerman	
Optional Parts			
A	WELWS-22829	Kit leg oven s/s (set of 2)	2
B	WELWS-21373	Caster, locking (front)	2
	WELWS-21372	Caster, swivel (rear)	2
C	WELWS-21445	Prep top (includes hardware)	1
	WELF6-43828	Bracket, prep top	4
	WEL2C-41620	Screw 8-32x1/4 PH TR HD	8
D	WELF6-305504	Kit, exterior vent duct (single oven)	1

*Not shown



CONVECTION OVEN

M4200-4



HK# 5F-M42004-2083 Convection Oven				
Item	WELM4200	WELM4200EU	Description	Qty.
1	-	-	Assy, cavity	1
2	WELWS-50131	WEL2E-40310	Terminal block	1
3	-	-	Spacer, blower motor	4
4	-	-	Lug, solderless	1
5	WEL2U-44687	WEL2U-44687	Fan, cooling	1
6	-	-	Panel, control	1
7	WELWS-63932	WELWS-63932	Motor ¼ HP	1
7.1	WELWS-69823	WELWS-69823	Start capacitor	1
7.2	WEL2V-300933	WEL2V-300933	Bracket, start capacitor	1
8	-	-	Spacer, motor mount	4
9	WEL2U-43797	WEL2U-43797	Blower wheel	1
10	-	-	Bracket, motor mount	1
11	WEL2E-304615	WEL2E-304615	SSR module	2
12	WEL2E-306967	WEL2E-306967A	Relay, e-safe	1
13	WEL2E-306976	WEL2E-306976	Assy, current detector	1
14	WEL2K-31040	WEL2K-31040	Grommet, 7/8" O.D.	2
15	WEL2E-Z14960	-	Contact, hi-limit 208V	1
	WEL2E-307328	WEL2E-307328	Relay, hi-limit 240V and 380-415V	1
18	WEL2E-Z5741	WEL2E-303286	Transformer	1
23	WEL2E-306977	WEL2E-306977	Reader, magnetic card	1
24	-	-	Bracket, hi-limit thermo	1
25	WEL2T-45180	WEL2T-45180	Thermostat, hi-limit	1
26	WEL2J-304580	WEL2J-304580	Thermocouple	1
28	DD-44584	WELDD-44584	Label, ground symbol	1
31	WELF6-45239	WELF6-45239	Assy, proximity switch	1
34	WEL2E-34769	-	Fuseholder, 10A 240V (M4200-3SV)	2
	-	DD-73795	Fuseholder, 5A 240V (M4200EU)	1
40	WEL2H-305520	WEL2H-305520	Insulation, motor mounting	1
42	WELF6-304609	WELF6-304609	Assy, frame	1
43	WEL2E-34768	-	Fuse, 10A 240V (M4200-3SV)	2
	-	WEL2E-73794	Fuse, 5A 240V (M4200EU)	1
59	WELF6-43787	WELF6-43787	Bracket, prox switch	1
61	WELF6-43829	WELF6-43829	Bracket element M4200-2	6
62.1	WEL2N-43872UL	-	Inner element, 208V (4" gap)	1
62.2	WEL2N-43783UL	WEL2N-43783UL	Inner element, 240V (4" gap)	1
63.1	WEL2N-43866UL	-	Middle element, 208V (2.5" gap)	1
63.2	WEL2N-43800UL	WEL2N-43800UL	Middle element, 240V (2.5" gap)	1
64.1	WEL2N-43873UL	-	Outer element, 208V (1" gap)	1
64.2	WEL2N-43949UL	WEL2N-43949UL	Outer element, 240V (1" gap)	1
67	WEL2K-48754	WEL2K-48754	Strain relief	1

*Not shown



CONVECTION OVEN M4200-4

HK# 5F-M42004-2083 Convection Oven				
Item	WELM4200	WELM4200EU	Description	Qty.
66	WEL2E-45177	-	Assy, power cord, 3 phase	
	WELF6-WL0306	-	Cord assy 6-50P	
	WELF6-WL0733	-	Cord assy 9.5ft NEMA 15-30	1
	WELF6-WL0734	-	Cord assy 9.5ft CS8265C	
	WELF6-WL0735	-	Cord assy 9.5ft L15-30P	
	WELF6-WL0736	-	Cord assy 9.5ft IEC 360P6	
67.1	WEL2C-45504	WEL2C-45504	Nut (only), strain relief	1
70	WEL2J-43834	WEL2J-43834	Gasket, element	1
71	WELF6-43836	WELF6-43836	Cover, element gasket inner	1
72	WELF6-43837	WELF6-43837	Cover, element gasket outer	1
81	WEL2J-Z21861	WEL2J-Z21861	Controller, time & temperature	1
89	WEL2E-305295	WEL2E-305295	Switch, on/off	1
93*	WEL2M-307323	WEL2M-307323	OP. manual M4200	1
94	WELF6-304717	WELF6-304717	Brkt current detect mtg	1
95	WELF6-Z20016	WELF6-Z20016	Mounting brkt MSB-kit M4200	1

*Not shown



HK#WELHBL430P9W
Replacement Pin and Sleeve Plug
30A/250V, 3-Phase

HK# WELL430R9
Receptacle 3P4W/30A/240VAC

HK# WEL69351
Wall Bracket,
For Wells Convection Oven
(Not shown)



HK# WEL21330
Caster Set, oven (set of 4)



HK# WEL69452
Oven prep top kit,
For wells convection ovens



HK# WEL70343
Oven stacking kit,
For wells convection ovens

Accessories:

Item	HK#	Description
A	WEL21863	Lid
B	WEL21909	Handle grip for lid
C	WEL21862	Insert pan
D	WEL46818	Ladle (new style)



SOUP COOKER

21852 (WEL21852)



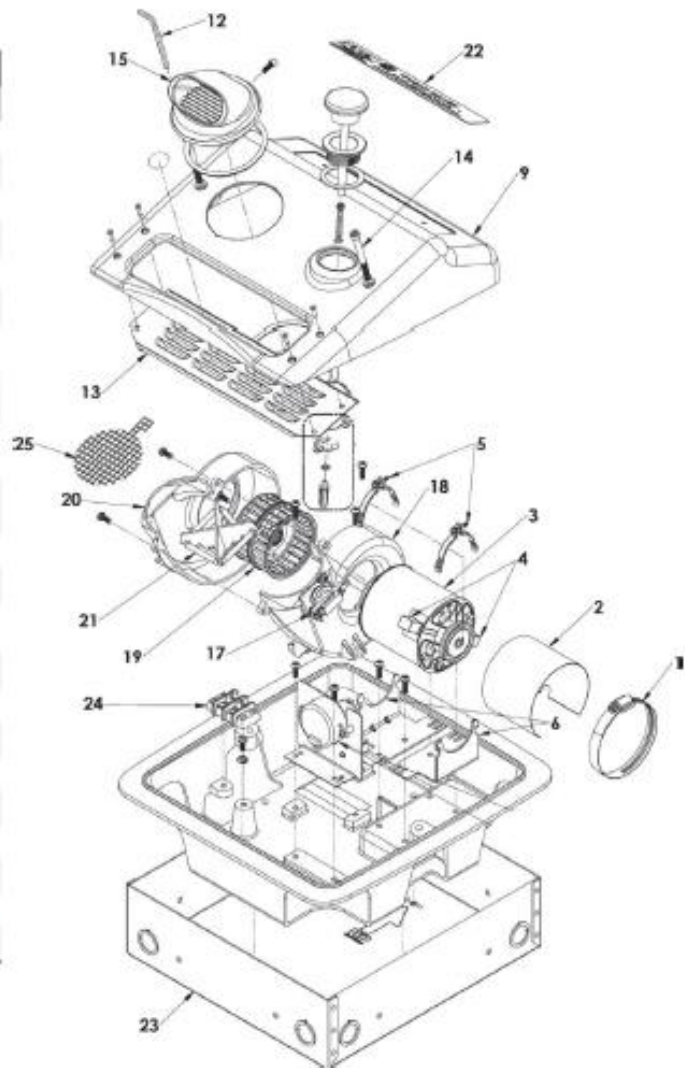
HAND DRYER

XRM5 (WDCXRM54-Q974A)

Hand Dryer		
Item	Part #	Description
1	WDC23-100	Clamp, motor baffle
2	WDC127HS	Baffle, motor
3	WDC32-120K	Motor
4	WDC206NL	Motor brush
5	WDC110-4A	Motor mounting strap
6	WDC110-4	Motor mounting brackets
9*	WDC703XM5-974AK	Cover complete, cast iron, automatic, white
12	WDC204TP	Security Allen wrench, cast iron cover
13**	WDC194-3XRAK	Inlet grill, cast iron, automatic, with mtg. hardware
14	WDC100-B3	Tamper proof cover screw, cast iron covers
15	WDC34-173K	Nozzle assembly kit
17	WDC1111-03	Thermostat only 1/4"
18	WDC211PA	Blower scroll half with base mount and thermostat
19	WDC101I	Fan metal
20	WDC112P	Blower scroll half - left side
21	WDC213XM	Heating element
22**	WDC38-226	Nameplate, automatic
23	WDC17-034	Wall box
24	WDC156-3	Terminal block
25	WDC12-001	Grid, ground assembly
*	WDC16-230-120RAK	Automatic sensor control - 115V
*	WDC49-238	Infrared sensor, eye

* Not shown

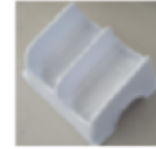
** Specify model when ordering





ABS-2

SOPORTE DOBLE SIN TAPA PARA TOPING CROCANTE.
PRODUCTO DISPONIBLE



TAPA ABS2

TAPA EN POLIPROPILENO PARA SOPORTE DOBLE
PRODUCTO DISPONIBLE



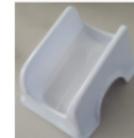
TAPA ABS1

TAPA EN POLIPROPILENO PARA SOPORTE SENCILLO
PRODUCTO DISPONIBLE



ABS-1

SOPORTE SENCILLO SIN TAPA PARA TOPING CROCANTE
PRODUCTO DISPONIBLE



ABS-3197

SOPORTE PARA CONOS DE 4 DIVISIONES EN POLIETILENO ABS
PRODUCTO DISPONIBLE



BAB-6

BASE PORTACONOS EN ACRILICO COLOR BLANCO 6 ORIFICIOS
PRODUCTO DISPONIBLE





ACR-2014 || VASO DE CALIBRACION PARA KIT OVERUN



SF-400 || GRAMERA PARA MEDICION DE PESO
HASTA 7 KG

TMT-WD1 || TERMOMETRO DIGITAL RESISTENTE AL
KD6128 || CRONOMETRO - HASTA 10 HORAS EN
CONTEO



DELUXE MEASURING CUPS

- ◆ Molded one-piece break-resistant polycarbonate
- ◆ Raised external markings in both quarts (red letters) and liters (blue letters)
- ◆ Tapered open handle for a secure grip; nesting
- ◆ Dishwasher safe

POLYCARBONATE MEASURING CUPS

ITEM	DESCRIPTION	UOM	CASE
PMCP-25	1 Cup	Each	6/72
PMCP-50	1 Pint	Each	6/72
PMCP-100	1 Qt	Each	6/36
PMCP-200	2 Qt	Each	6/36
PMCP-400	4 Qt	Each	6/24
PMCP-5SET	Complete 5-Pc Set	Set	1/6



SPATULAS & TURNERS

- ◆ Stainless steel, satin finish blade
- ◆ Ergonomic handle with slip-free comfort grip reduces hand fatigue
- ◆ Dishwasher safe
- ◆ NSF listed



DESCRIPTION	BLADE SIZE (L X W)	UOM	BLACK ERGO HANDLE		WHITE ERGO HANDLE	
			ITEM	CASE	ITEM	CASE
Mini Turner	2" x 2-1/4"	* Each	TKP-30	12/120	TWP-30	12/120
Sandwich Spreader	3-5/8" x 1-1/4"	Each	TKP-31	12/144	TWP-31	12/144
Small Scraper	4-1/2" x 3-1/8"	Each	TKP-32	12/72	TWP-32	12/72
Large Scraper	4-7/8" x 4"	Each	TKP-40	12/72	TWP-40	12/120
Steak/Burger Turner	4-1/8" x 3-3/4"	* Each	TKP-41	12/72	TWP-41	12/72
Turner	8" x 4"	Each	TKP-42	12/48	TWP-42	12/48
Grill Spatula	4-1/4" x 2-3/16"	* Each	TKP-50	12/72	TWP-50	12/72
Pie Server	4-5/8" x 2-3/8"	* Each	TKP-51	12/72	TWP-51	12/72
Fish Spatula	6-3/4" x 3-1/4"	Each	TKP-60	12/144	TWP-60	12/144
Hamburger Turner	5-1/8" x 2-7/8"	* Each	TKP-61	12/72	TWP-61	12/72
Extra Heavy Turner, Cutting Edge Blade	5" x 6"	* Each	TKP-63	12/48		
Flexible Turner	8-1/4" x 2-7/8"	* Each	TKP-90	12/72	TWP-90	12/48
Flexible Turner (Perforated Blade)	8-1/4" x 2-7/8"	* Each	TKP-91	12/72	TWP-91	12/48
Offset Spatula	3-1/2" x 3/4"	* Each	TKPO-4	24/288	TWPO-4	24/288
Offset Spatula	6-1/2" x 1-5/16"	* Each	TKPO-7	12/144	TWPO-7	12/144
Offset Spatula	8-1/2" x 1-1/2"	* Each	TKPO-9	12/144	TWPO-9	12/144
Bakery Spatula	4" x 3/4"	Each	TKPS-4	24/288	TWPS-4	24/288
Bakery Spatula	7-15/16" x 1-1/4"	Each	TKPS-7	12/144	TWPS-7	12/144
Bakery Spatula	10" x 1-3/8"	Each	TKPS-9	12/144	TWPS-9	12/72

*Measurement reflects blade size not including offset



Allergen free
SEE PAGE 297 FOR ALLERGEN-FREE PURPLE HANDLES

TKP-SERIES (BLACK) NSF

TWP-SERIES (WHITE) NSF



